



US00D395676S

**United States Patent** [19]  
**Chiou**

[11] **Patent Number: Des. 395,676**

[45] **Date of Patent: \*\*Jun. 30, 1998**

[54] **PUNCH**

4,288,018 9/1981 Taniguchi ..... D8/50 X

[75] Inventor: **Jeng-Jong Chiou**, Taipei, Taiwan

**OTHER PUBLICATIONS**

[73] Assignee: **Full Create Enterprises, Ltd.**, Taipei, Taiwan

Atlas Pen & Pencil Corp.© 1986, see p. 21, circled house cutout.

[\*\*] Term: **14 Years**

*Primary Examiner*—Martie Thompson  
*Attorney, Agent, or Firm*—Donald C. Casey

[21] Appl. No.: **50,718**

[57] **CLAIM**

[22] Filed: **Feb. 23, 1996**

A new original design for punch, as shown and described herein.

[51] **LOC (6) Cl.** ..... **19-02**

**DESCRIPTION**

[52] **U.S. Cl.** ..... **D19/72; D19/65**

[58] **Field of Search** ..... D19/65, 72, 95,  
D19/99, 100; D15/128; 83/167, 454, 465,  
467, 560, 205; D8/98

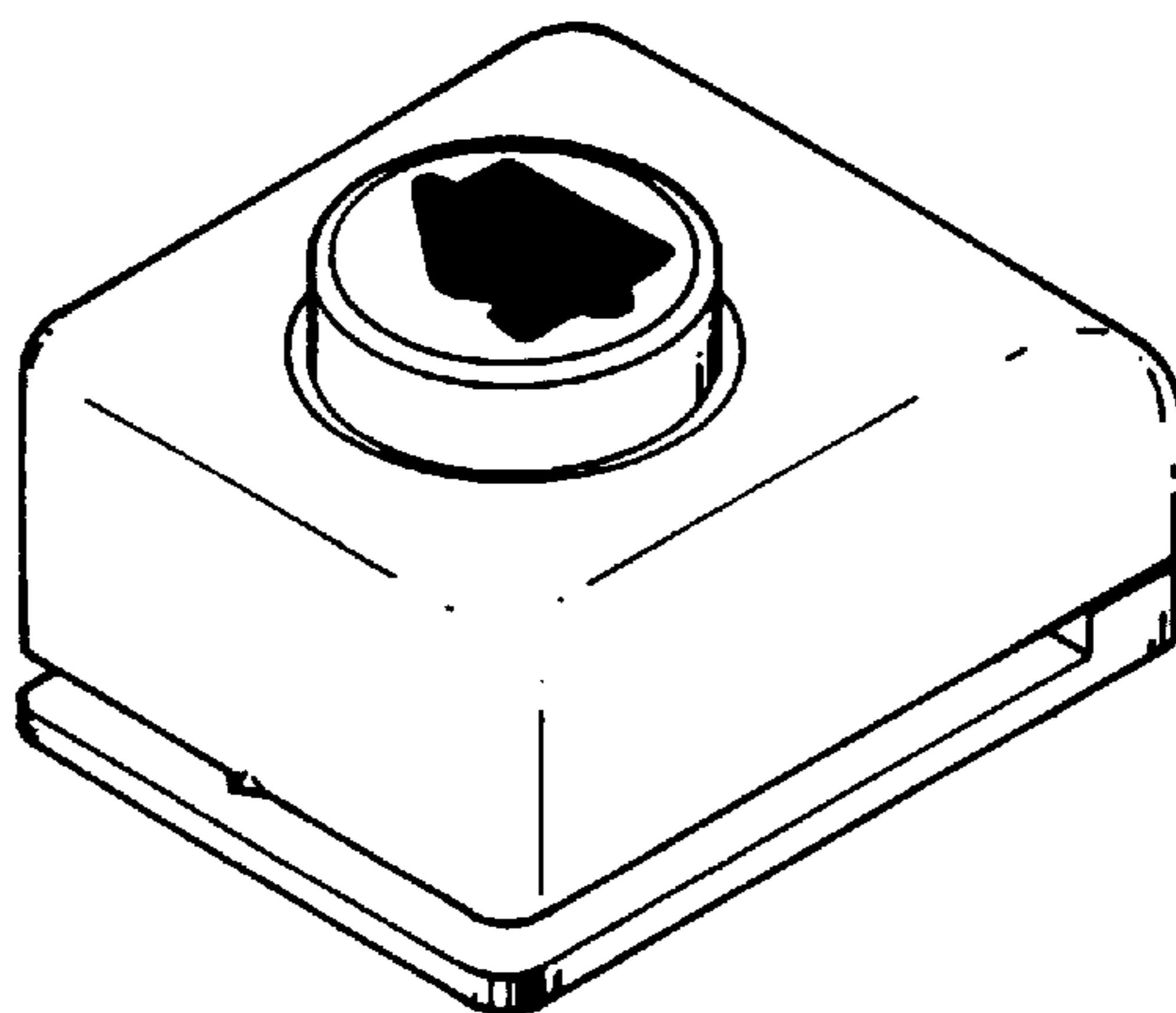
FIG. 1 is a front view thereof;  
FIG. 2 is a rear view thereof;  
FIG. 3 is a right-side view thereof;  
FIG. 4 is a left-side view thereof;  
FIG. 5 is a top view thereof;  
FIG. 6 is a bottom view thereof; and,  
FIG. 7 is a perspective view thereof.

[56] **References Cited**

**U.S. PATENT DOCUMENTS**

D. 364,411 11/1995 Wang ..... D19/72 X  
3,284,889 11/1966 Mercorelli ..... D8/49 X

**1 Claim, 4 Drawing Sheets**



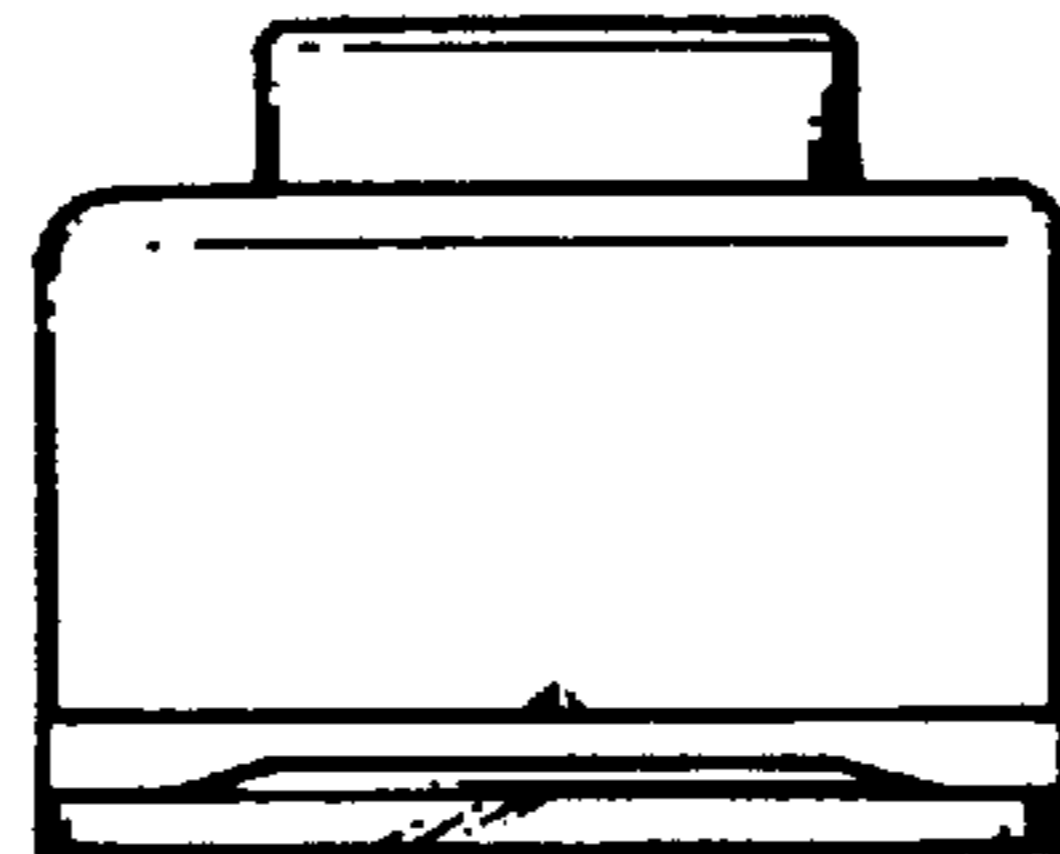


FIG. 1

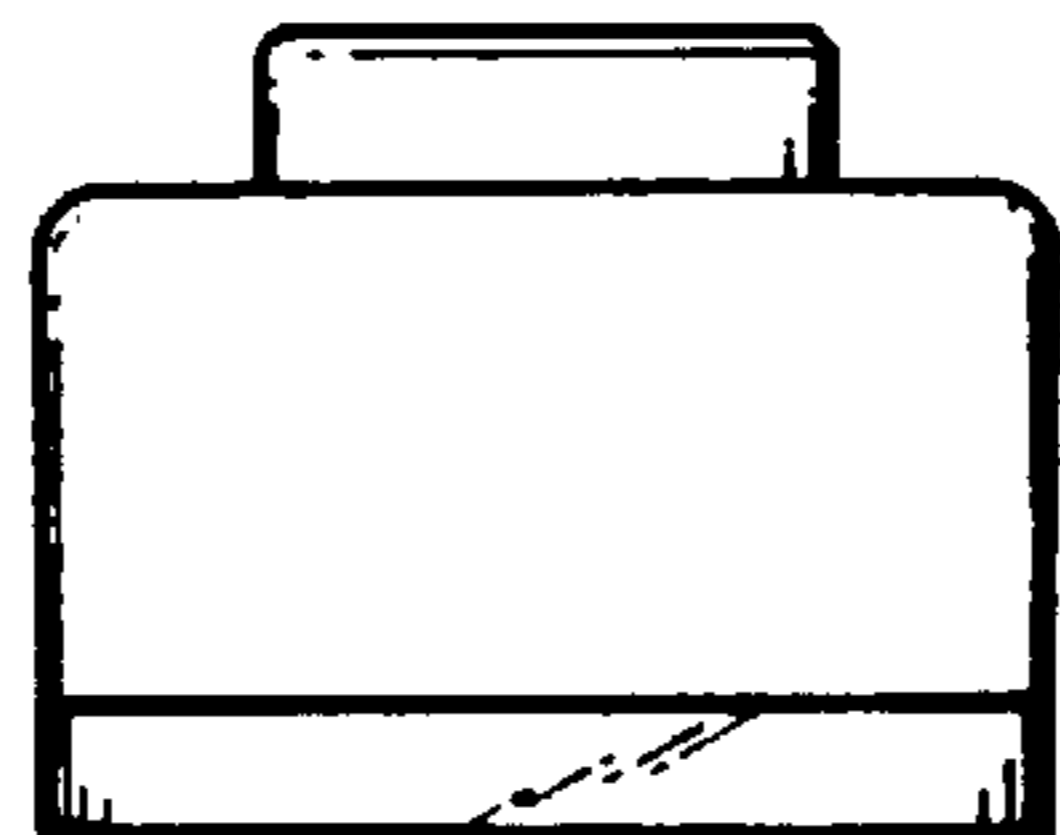


FIG. 2

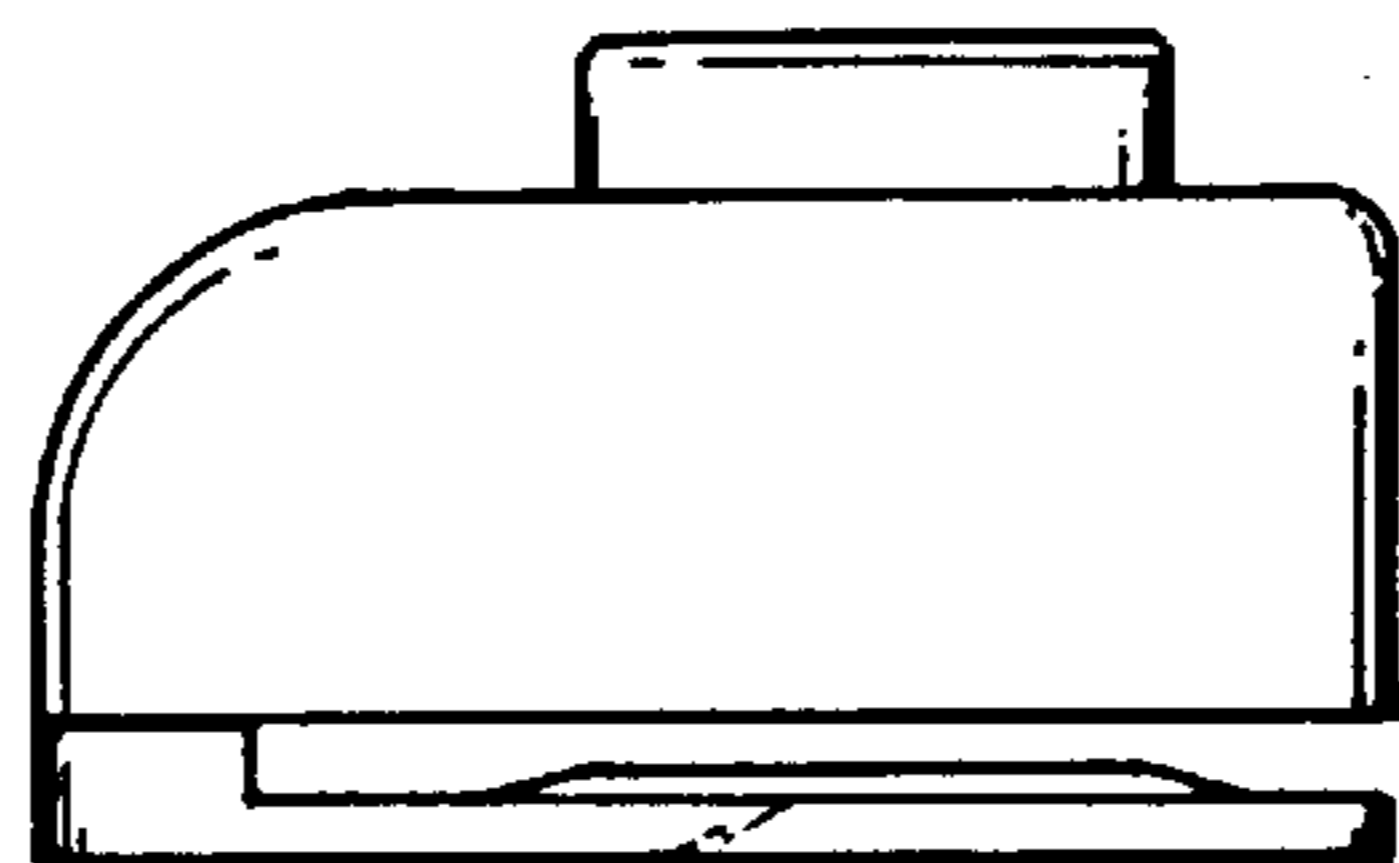


FIG. 3

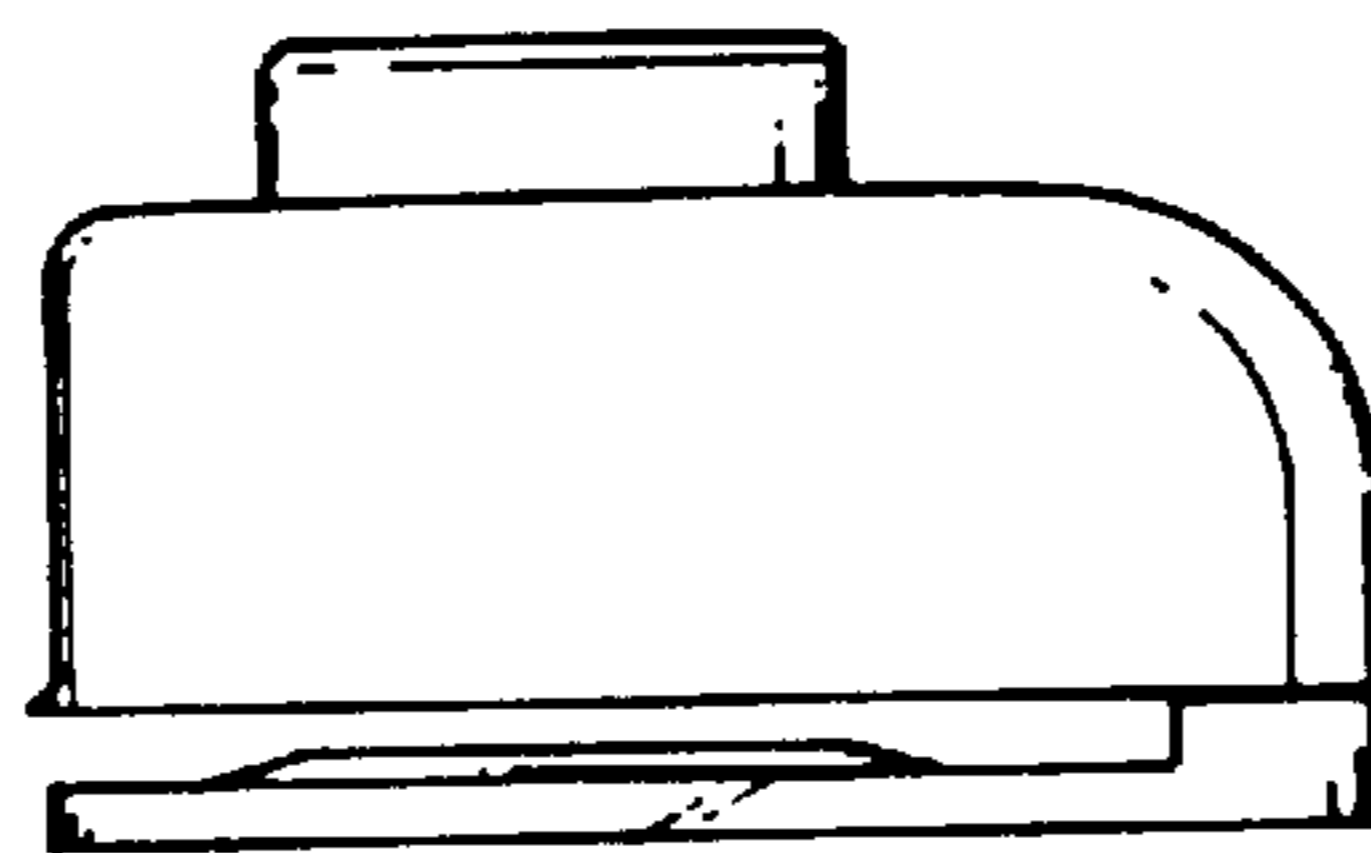


FIG. 4

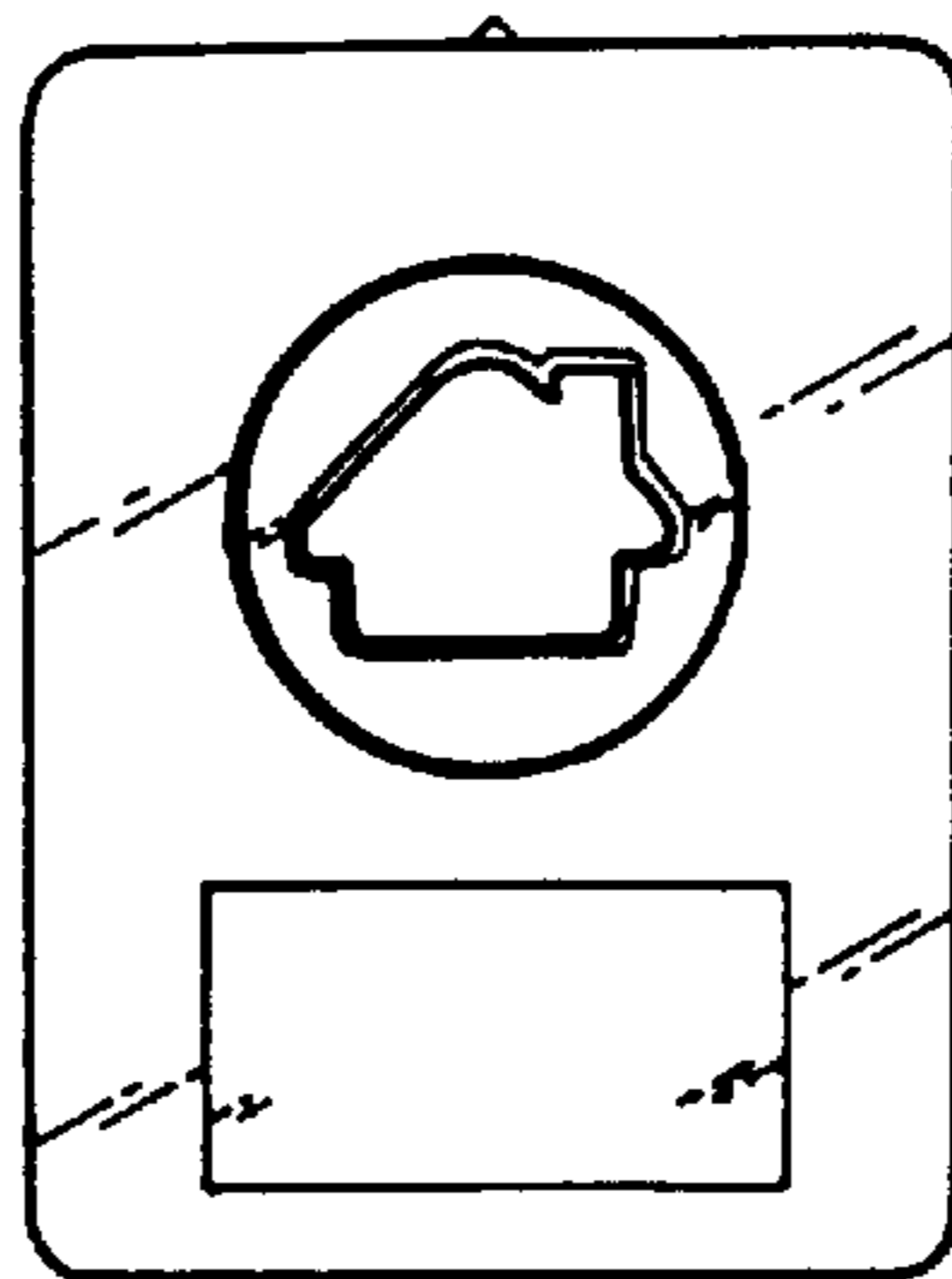


FIG. 6

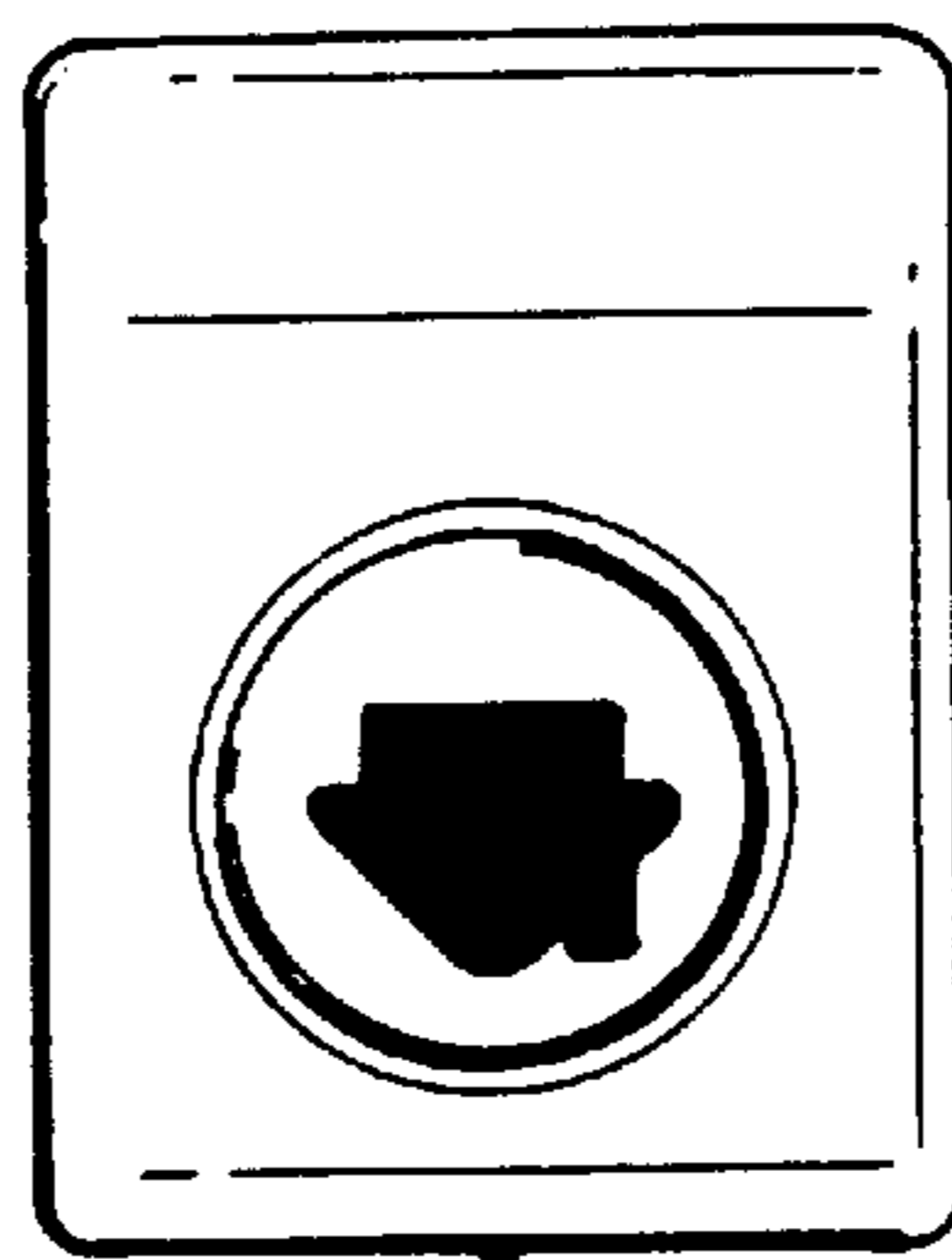


FIG. 5

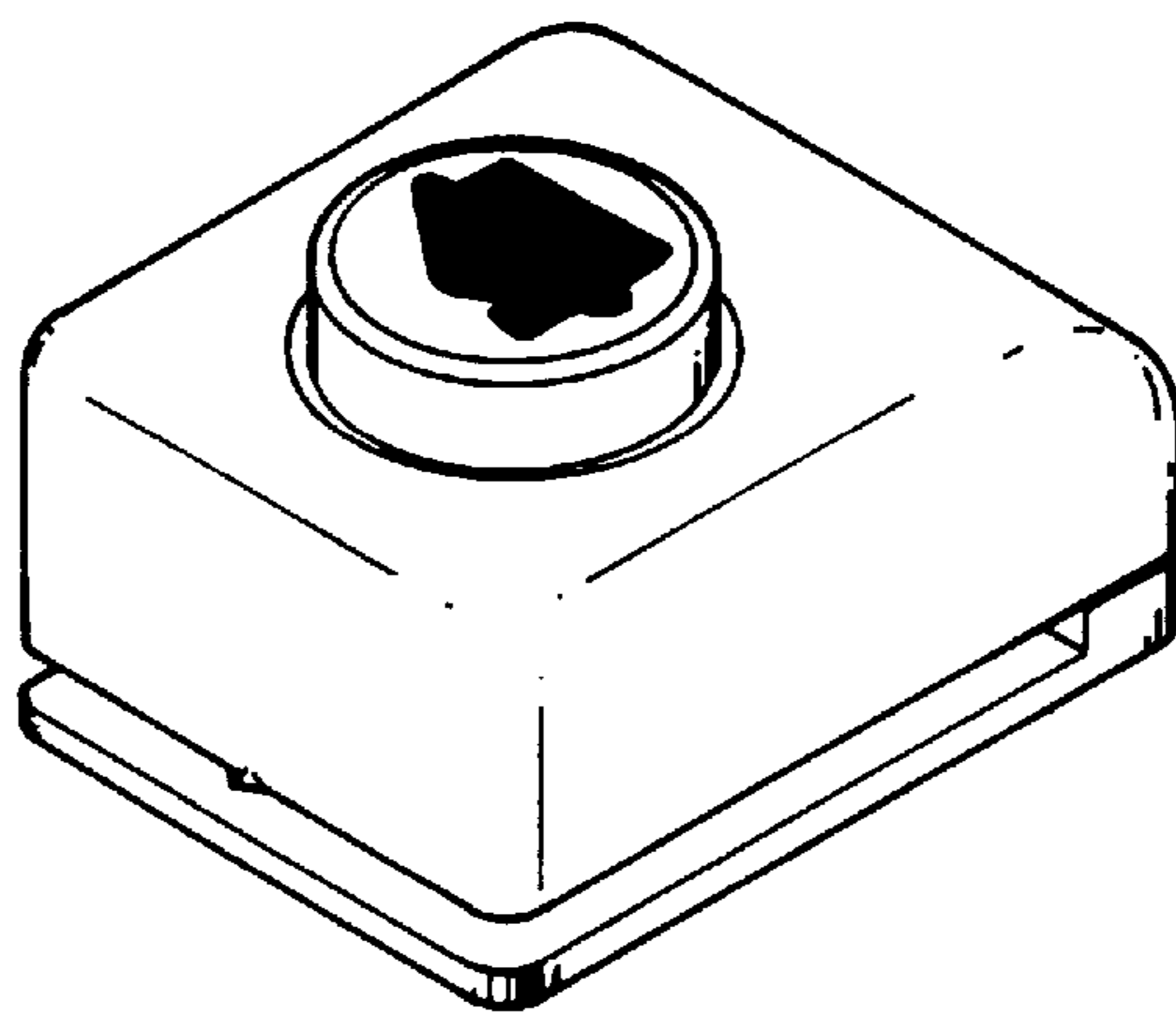


FIG. 7