



US00D395673S

# United States Patent [19]

**Baubil**

[11] **Patent Number: Des. 395,673**

[45] **Date of Patent: \*\*Jun. 30, 1998**

[54] **BALL POINT PEN**

[75] Inventor: **Frédéric Baubil**, Valence, France

[73] Assignee: **Reynolds**, Valence, France

[\*\*] Term: **14 Years**

[21] Appl. No.: **73,994**

[22] Filed: **Jul. 22, 1997**

[51] **LOC (6) Cl. .... 19-06**

[52] **U.S. Cl. .... D19/51; D19/56**

[58] **Field of Search** ..... D19/35, 36, 41-51,  
D19/53-58, 81-85; 401/99, 100, 103, 104,  
209, 113, 110, 112, 114

[56] **References Cited**

**U.S. PATENT DOCUMENTS**

D. 124,230	12/1940	Dreyfuss	.....	D19/51
D. 309,633	7/1990	Itoh	.....	D19/51
D. 316,726	5/1991	Itoh	.....	D19/56 X
D. 382,016	8/1997	Takahashi	.....	D19/51
3,408,148	10/1968	Bross	.....	401/113
3,724,961	4/1973	Levoine	.....	401/110

*Primary Examiner*—Martie Thompson  
*Attorney, Agent, or Firm*—Walter C. Farley

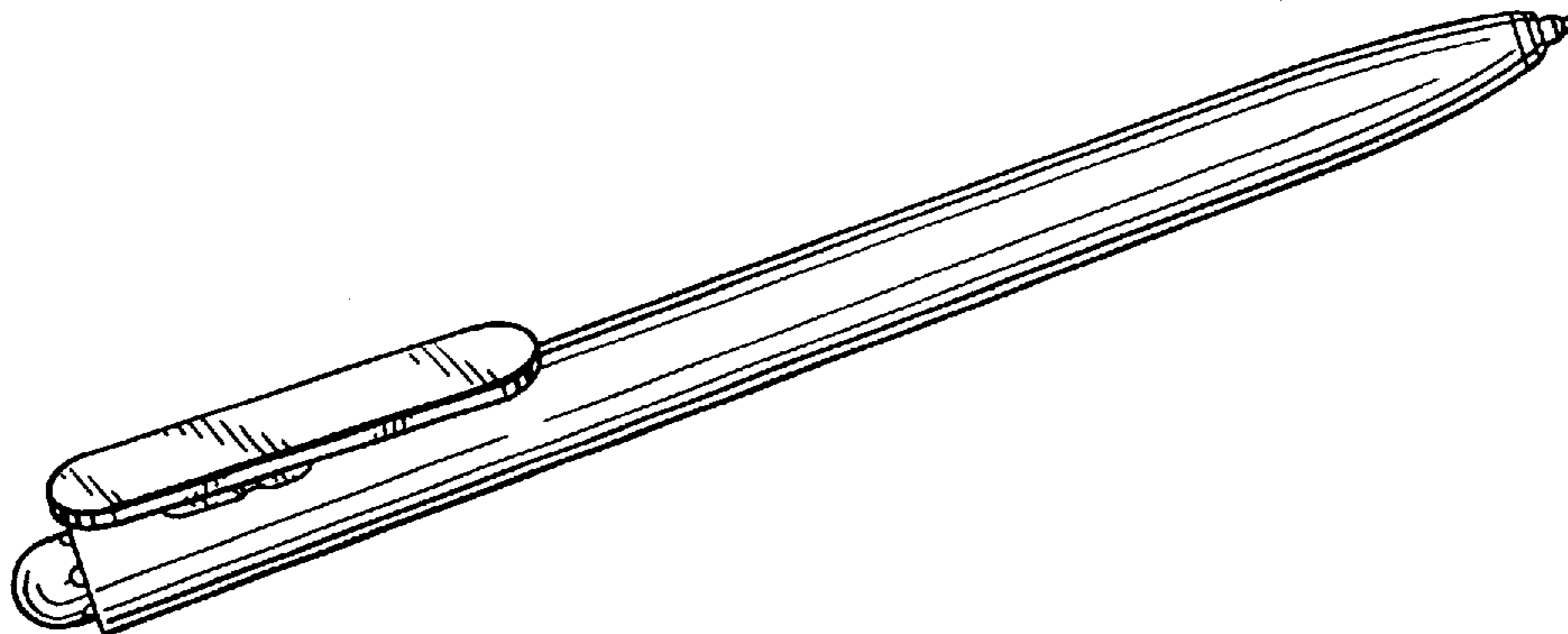
[57] **CLAIM**

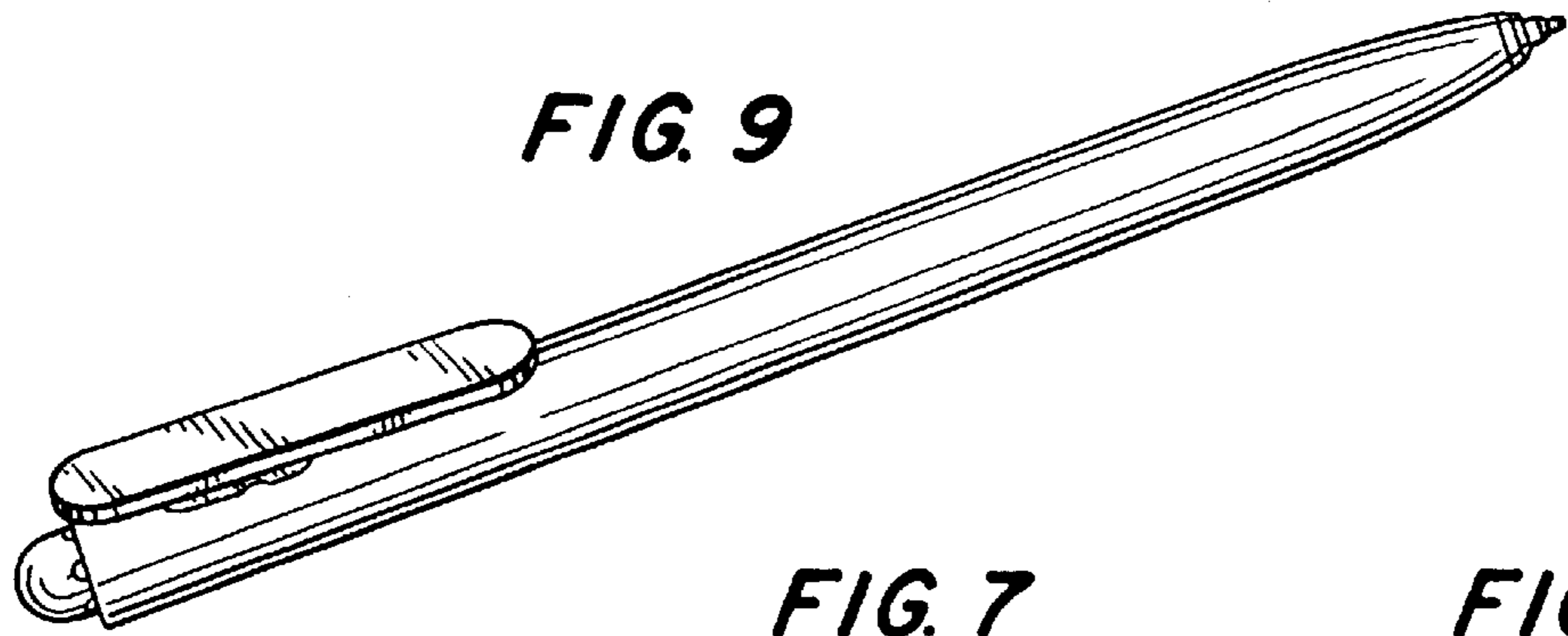
The ornamental design for a ball point pen, as shown and described.

**DESCRIPTION**

FIG. 1 is a front elevation of a ball point pen showing my new design with the writing point extended;  
FIG. 2 is a front elevation of the ball point pen of FIG. 1 with the writing point retracted;  
FIG. 3 is a right side elevation thereof with the writing point extended;  
FIG. 4 is a left side elevation thereof with the writing point retracted;  
FIG. 5 is a rear elevation thereof with the writing point extended;  
FIG. 6 is a rear elevation thereof with the writing point retracted;  
FIG. 7 is a bottom (point) end view thereof;  
FIG. 8 is a top end view thereof; and,  
FIG. 9 is a perspective view thereof.

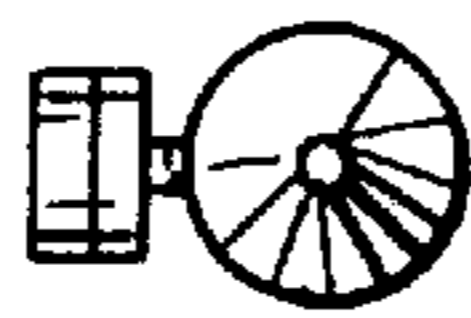
**1 Claim, 1 Drawing Sheet**



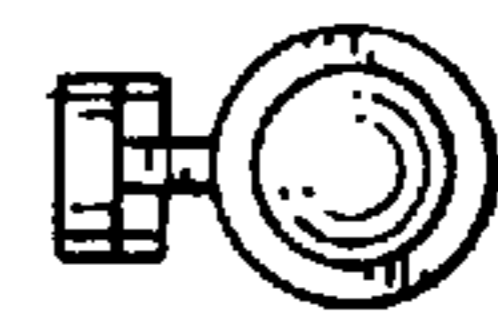


**FIG. 9**

**FIG. 7**



**FIG. 8**



**FIG. 5    FIG. 3    FIG. 1    FIG. 2    FIG. 4    FIG. 6**

