



US00D395672S

United States Patent [19]

Navarro

[11] Patent Number: **Des. 395,672**

[45] Date of Patent: ****Jun. 30, 1998**

[54] **INK STYLUS PEN**

[75] Inventor: **José Navarro**, Hamburg, Germany

[73] Assignee: **Koh-I-Noor Inc.**, Bloomsbury, N.J.

[**] Term: **14 Years**

[21] Appl. No.: **71,460**

[22] Filed: **May 27, 1997**

[30] Foreign Application Priority Data

Nov. 25, 1996 [DE] Germany M 96 10 074.5

[51] **LOC (6) Cl.** **19-06**

[52] **U.S. Cl.** **D19/48; D19/43; D19/51; D19/56; D19/57**

[58] **Field of Search** D19/35, 36, 41-51, D19/53-58, 81-85; 401/196, 198, 202, 243-247

[56] References Cited

U.S. PATENT DOCUMENTS

D. 142,390	9/1945	Olson et al.	D74/17
D. 159,125	6/1950	Wuestman	D74/24
D. 160,757	10/1950	Weiss	D74/24
D. 182,925	5/1958	Ribas	D74/17
D. 258,217	2/1981	Sakaoka	D19/49
D. 260,406	8/1981	Itoh	D19/44
D. 282,686	2/1986	Yuen	D26/49
D. 286,547	11/1986	Koizumi et al.	D19/51

D. 311,550	10/1990	Yazaki	D19/48
D. 323,852	2/1992	Gomez	D19/48
D. 338,686	8/1993	Ito	D19/57
D. 340,474	10/1993	Visage	D19/49
D. 341,623	11/1993	Chuang	D19/36
D. 357,276	4/1995	Bruhn	D19/48
D. 378,761	4/1997	Sekine	D19/57 X

Primary Examiner—Martie Thompson
Attorney, Agent, or Firm—Fitzpatrick, Cella, Harper & Scinto

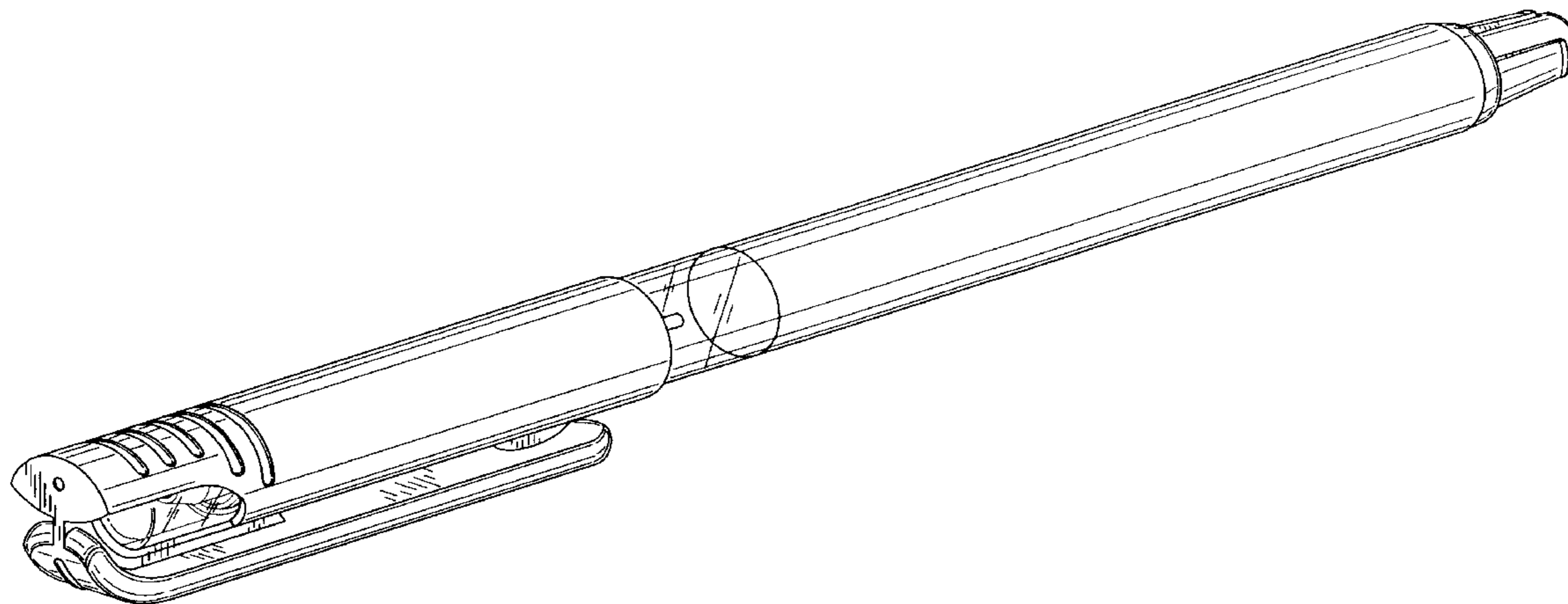
[57] CLAIM

The ornamental design for an ink stylus pen, as shown and described.

DESCRIPTION

FIG. 1 is a top, right front perspective view of an ink stylus pen showing my new design;
 FIG. 2 is a top, right front perspective view in an exploded condition;
 FIG. 3 is a typical side elevational view of the pen body, with the cap member removed for convenience of illustration;
 FIG. 4 is a right side elevational view of FIG. 1;
 FIG. 5 is a rear elevational view of FIG. 1;
 FIG. 6 is a front elevational view of FIG. 1;
 FIG. 7 is a top plan view of FIG. 2 showing the writing tip;
 FIG. 8 is a bottom plan view of the cap member, with the pen body removed for convenience of illustration;
 FIG. 9 is a top plan view of FIG. 8; and,
 FIG. 10 is a top, right front perspective view of a second embodiment of my design of FIG. 1.

1 Claim, 3 Drawing Sheets



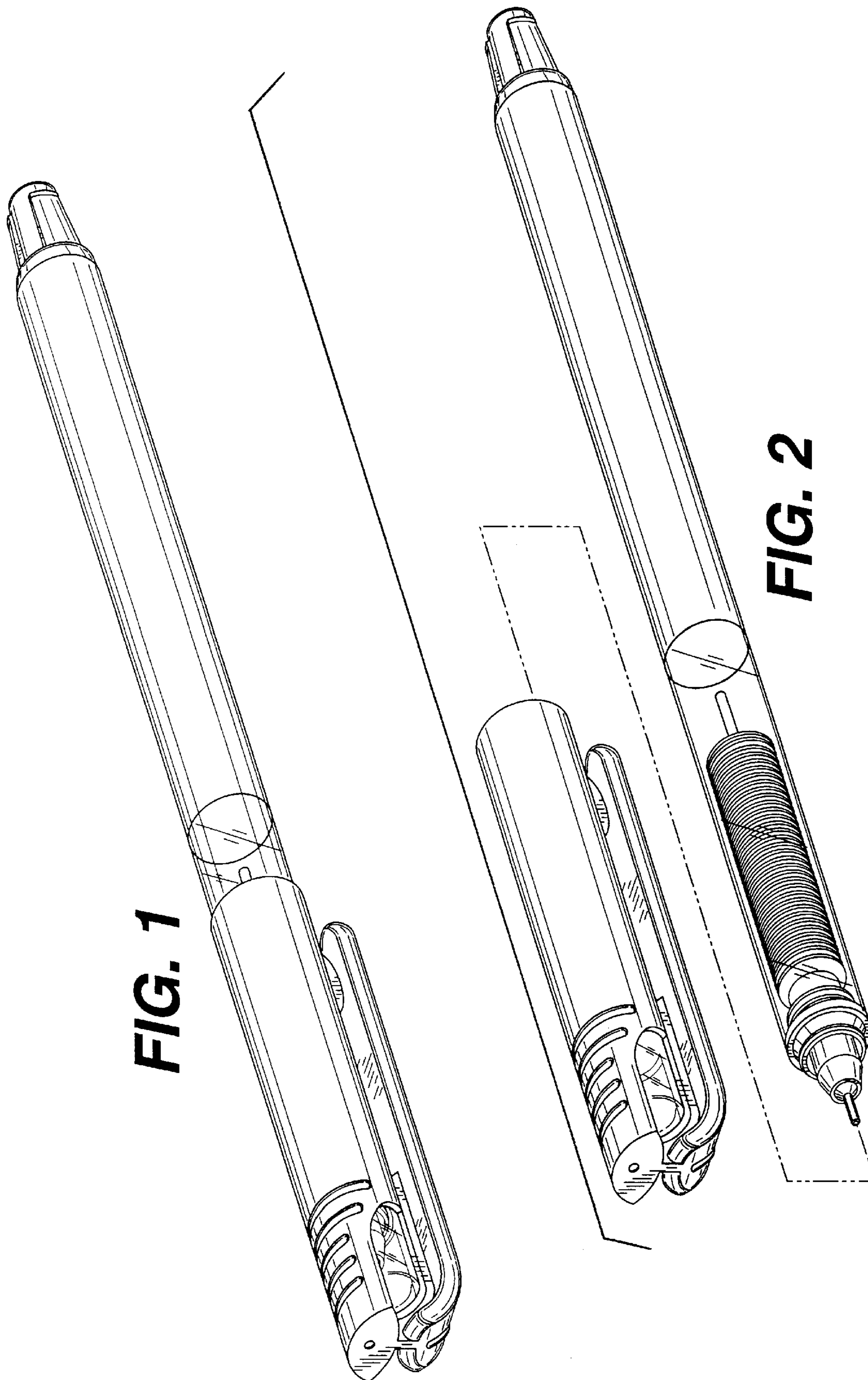


FIG. 1

FIG. 2

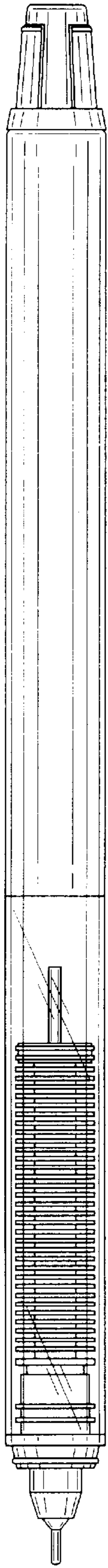


FIG. 3

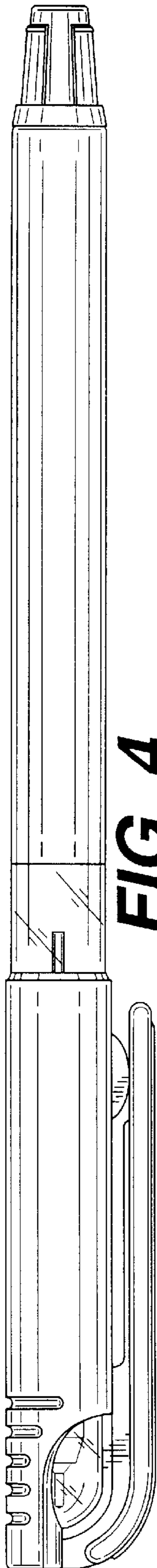


FIG. 4

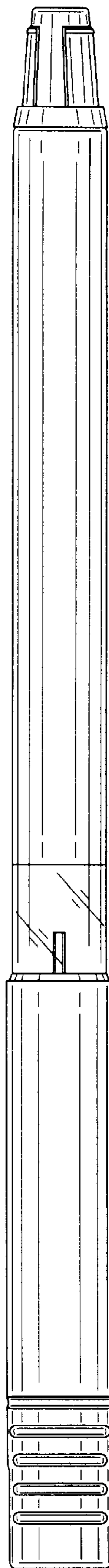


FIG. 5

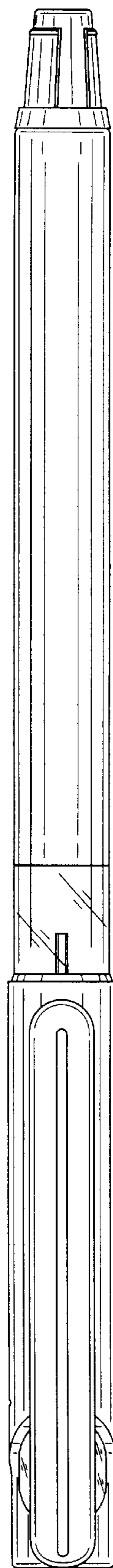


FIG. 6

FIG. 7



FIG. 8

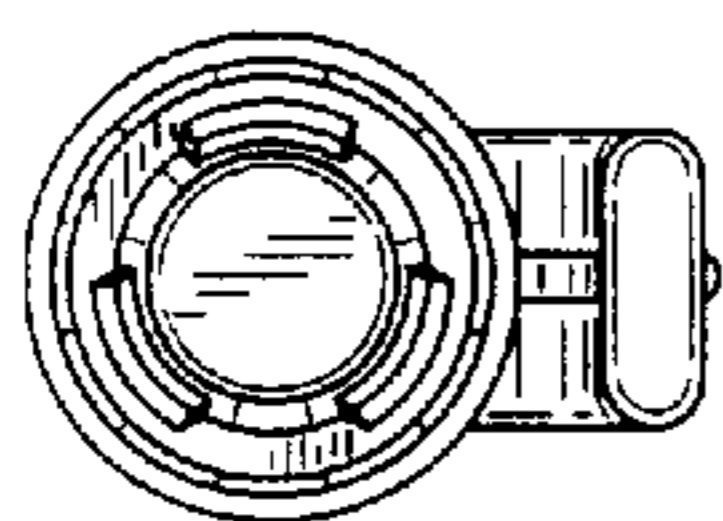


FIG. 9

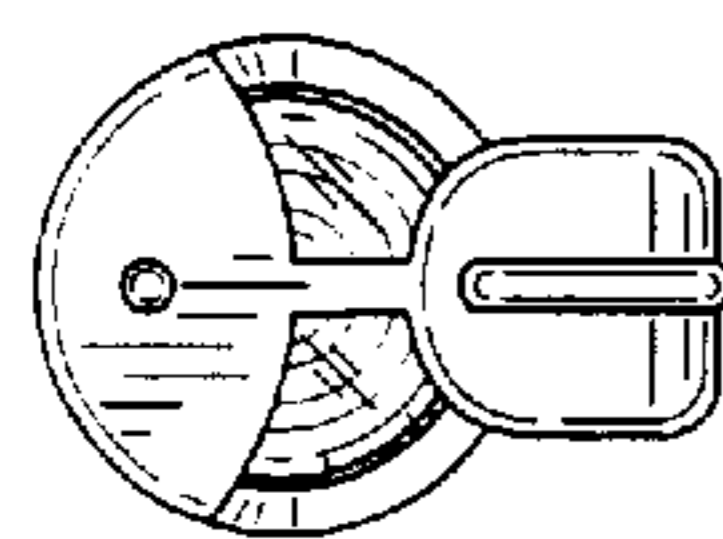


FIG. 10

