



US00D395669S

United States Patent [19]

[11] **Patent Number: Des. 395,669**

Carlotta et al.

[45] **Date of Patent: **Jun. 30, 1998**

[54] **COMBINED PRINT HEAD AND INK TANK HOLDER**

FOREIGN PATENT DOCUMENTS

[75] Inventors: **Michael Carlotta**, Alpharetta, Ga.;
Robert K. McCubbin, Sr., Rochester,
N.Y.; **Richard C. Keefe**, Savannah,
N.Y.; **Donald M. Stevens**, Walworth,
N.Y.

583154	2/1994	European Pat. Off.	347/87
000594124	4/1994	European Pat. Off.	347/87
000639462	2/1995	European Pat. Off.	347/86
1141560	6/1986	Japan	347/87
2261451	11/1987	Japan	347/86
2187349	7/1990	Japan	347/87
402204052	8/1990	Japan	347/87
3101945	4/1991	Japan	347/87
3234653	10/1991	Japan	347/86
4247960	9/1992	Japan	347/87
404363254	12/1992	Japan	347/87
404369559	12/1992	Japan	347/87
4347653	12/1992	Japan	347/86
5162329	6/1993	Japan	347/86
405201020	8/1993	Japan	347/87
5278227	10/1993	Japan	347/86
639461	2/1995	Japan	347/86
2241201	8/1991	United Kingdom	347/86

[73] Assignee: **Xerox Corporation**, Stamford, Conn.

[**] Term: **14 Years**

[21] Appl. No.: **56,363**

[22] Filed: **Jun. 27, 1996**

[51] **LOC (6) Cl.** **18-02**

[52] **U.S. Cl.** **D18/56; 347/86**

[58] **Field of Search** **D18/56, 43; 347/86-87**

[56] **References Cited**

U.S. PATENT DOCUMENTS

D. 352,058	11/1994	Kubota et al.	D18/56
D. 371,804	7/1996	Kotaki et al.	D18/56
D. 382,013	8/1997	Tashiro et al.	D18/56
D. 382,014	8/1997	Tashiro et al.	D18/56
4,709,246	11/1987	Piatt et al.	347/87
4,998,115	3/1991	Nevarez et al.	347/87
5,182,581	1/1993	Kashimura et al.	347/87
5,314,257	5/1994	Cheng	D18/56
5,328,279	7/1994	Suzuki et al.	D18/56
5,392,063	2/1995	Rhoads	347/86
5,406,885	4/1995	Privin	101/348
5,408,746	4/1995	Thoman et al.	347/87
5,497,178	3/1996	DeFosse et al.	347/87
5,500,665	3/1996	Ujita et al.	347/87
5,506,611	4/1996	Ujita et al.	347/86
5,576,750	11/1996	Brandon et al.	347/87
5,619,237	4/1997	Inoue et al.	347/86

Primary Examiner—Cathy Anne MacCormac
Attorney, Agent, or Firm—Daniel J. Krieger

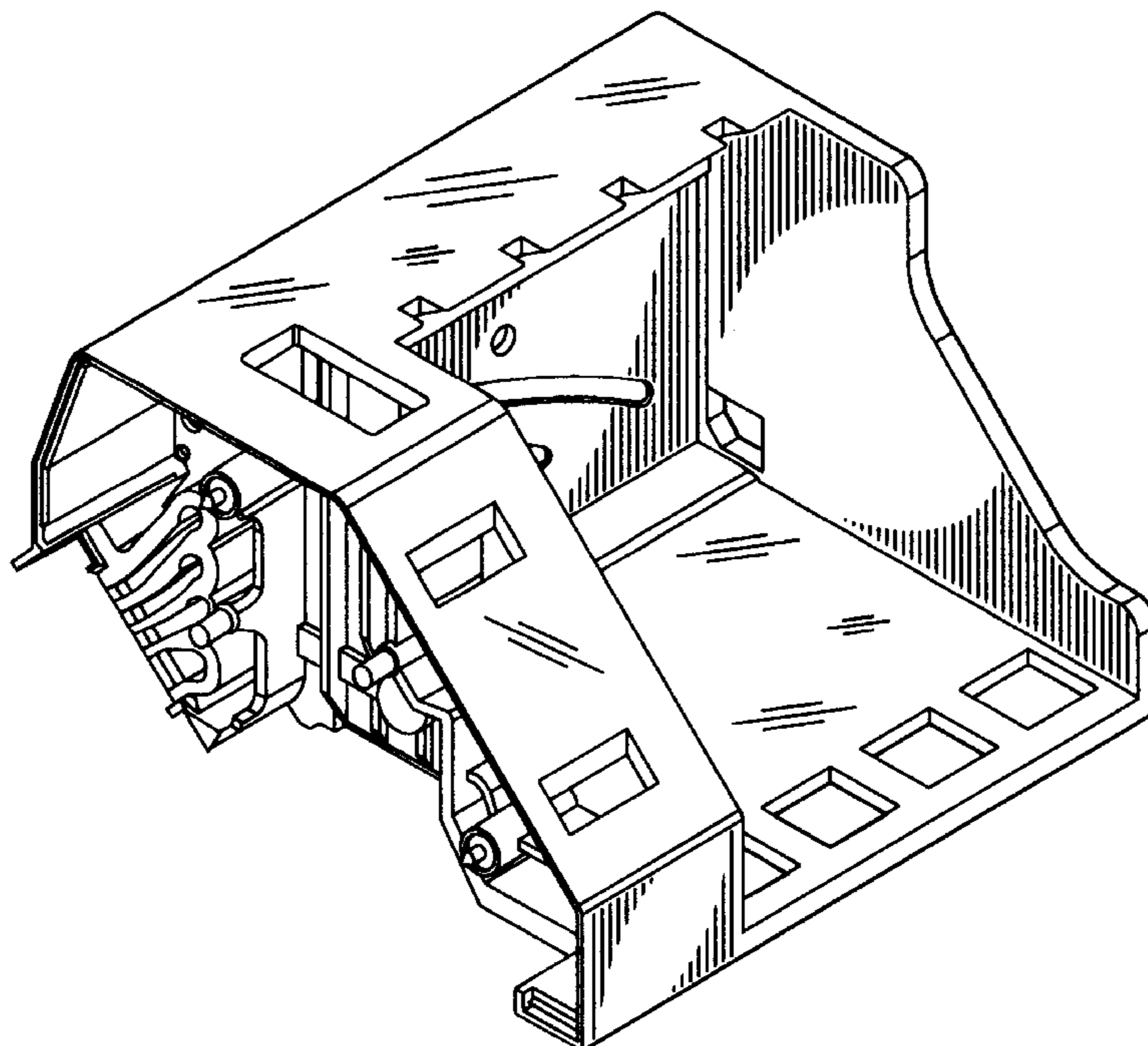
[57] **CLAIM**

The ornamental design for combined print head and ink tank holder, as shown and described.

DESCRIPTION

FIG. 1 is a perspective view of a combined printhead and ink tank housing showing our new design;
FIG. 2 is a front elevational view thereof;
FIG. 3 is a right side elevational view thereof;
FIG. 4 is a rear elevational view thereof;
FIG. 5 is a left side elevational view thereof;
FIG. 6 is a top plan view thereof; and,
FIG. 7 is a bottom plan view thereof.

1 Claim, 7 Drawing Sheets



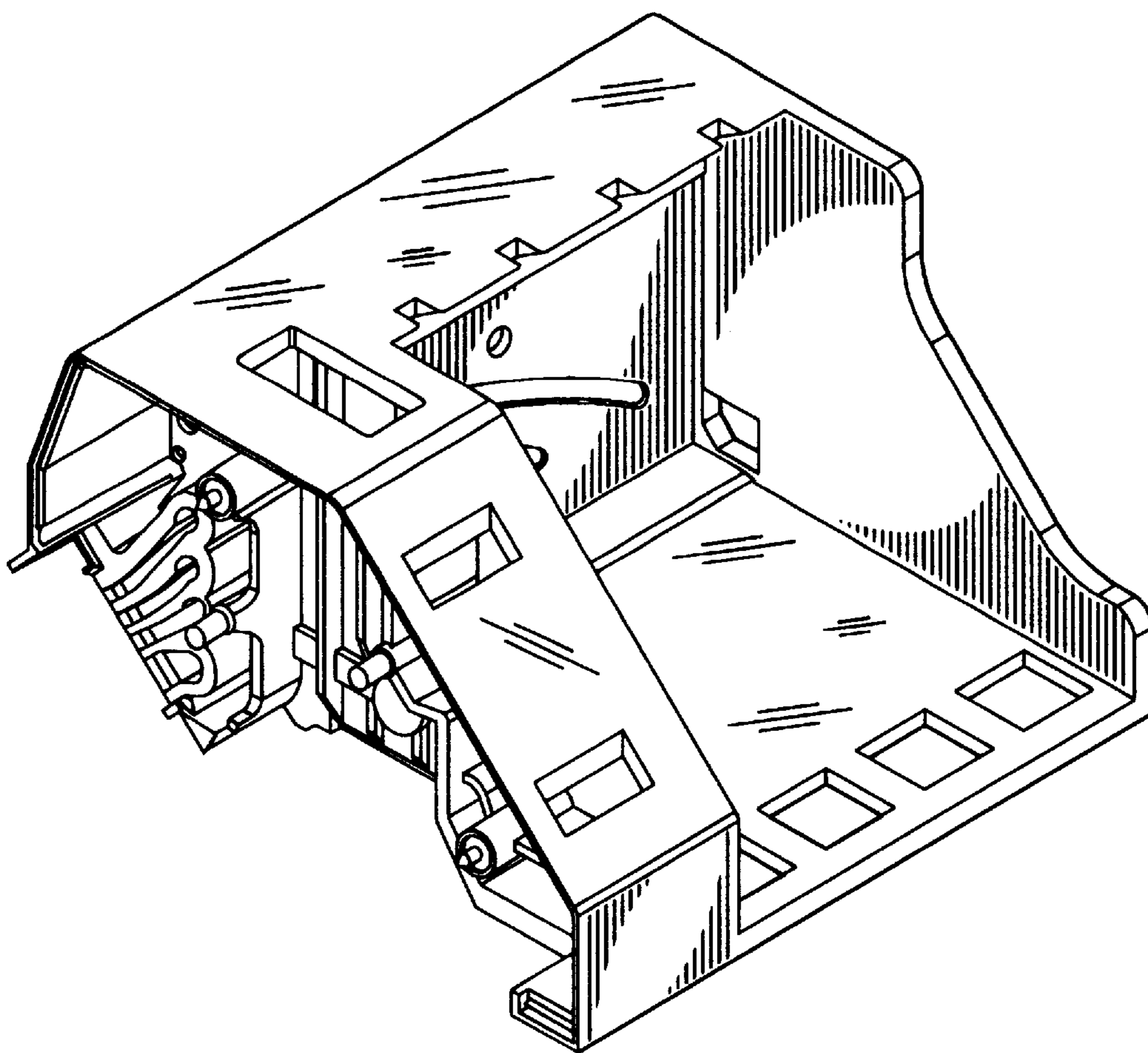


FIG. 1

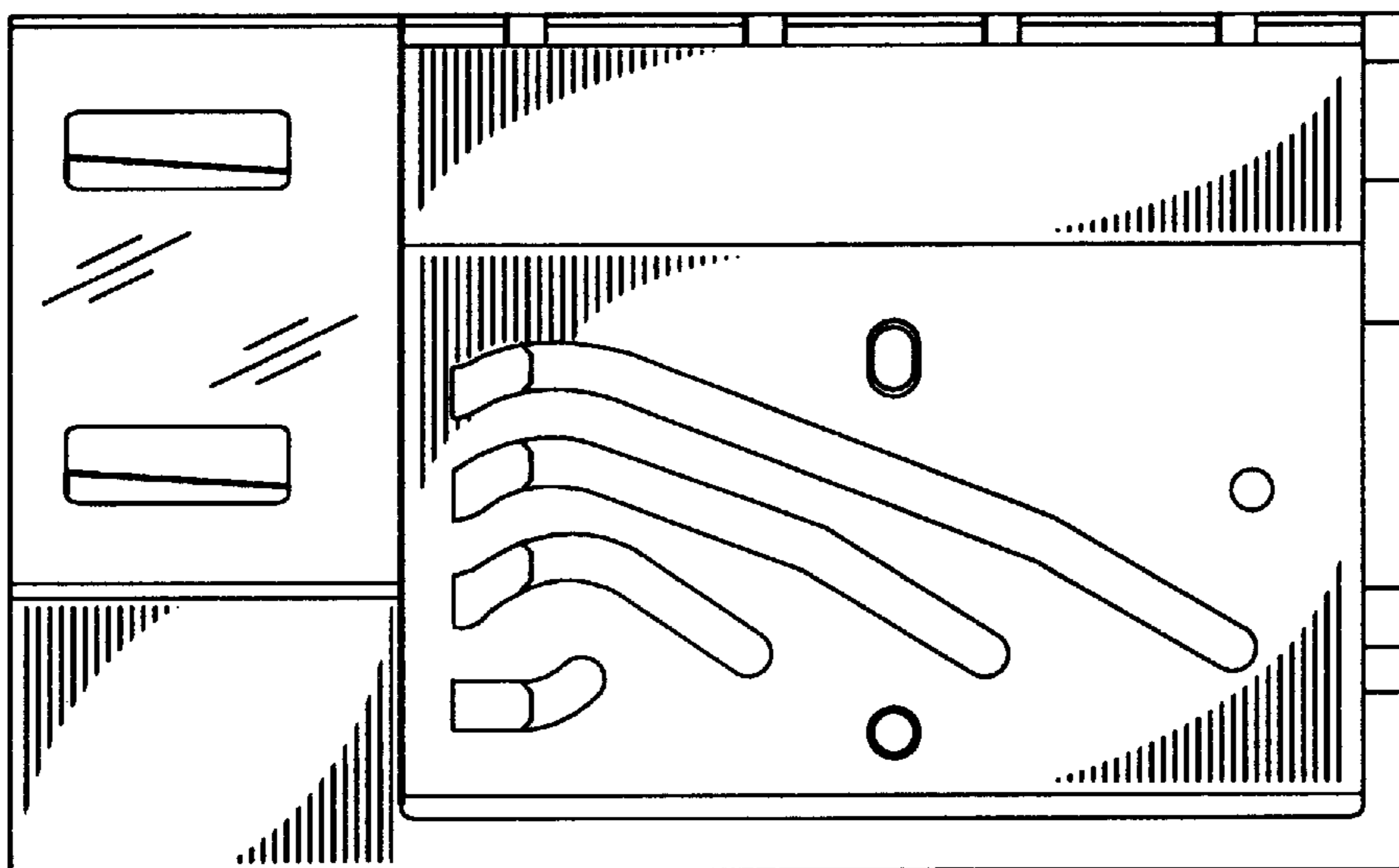


FIG. 2

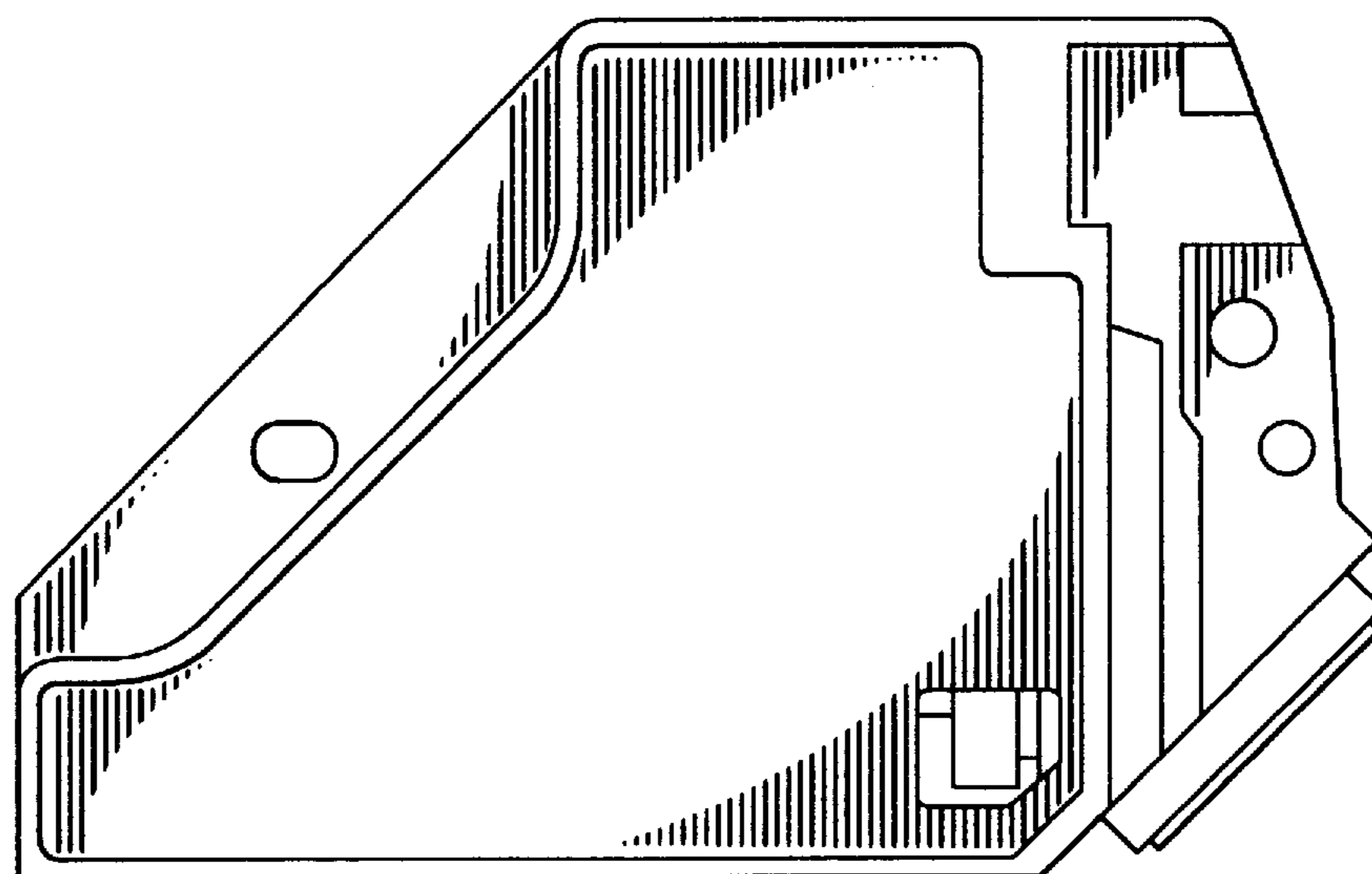


FIG. 3

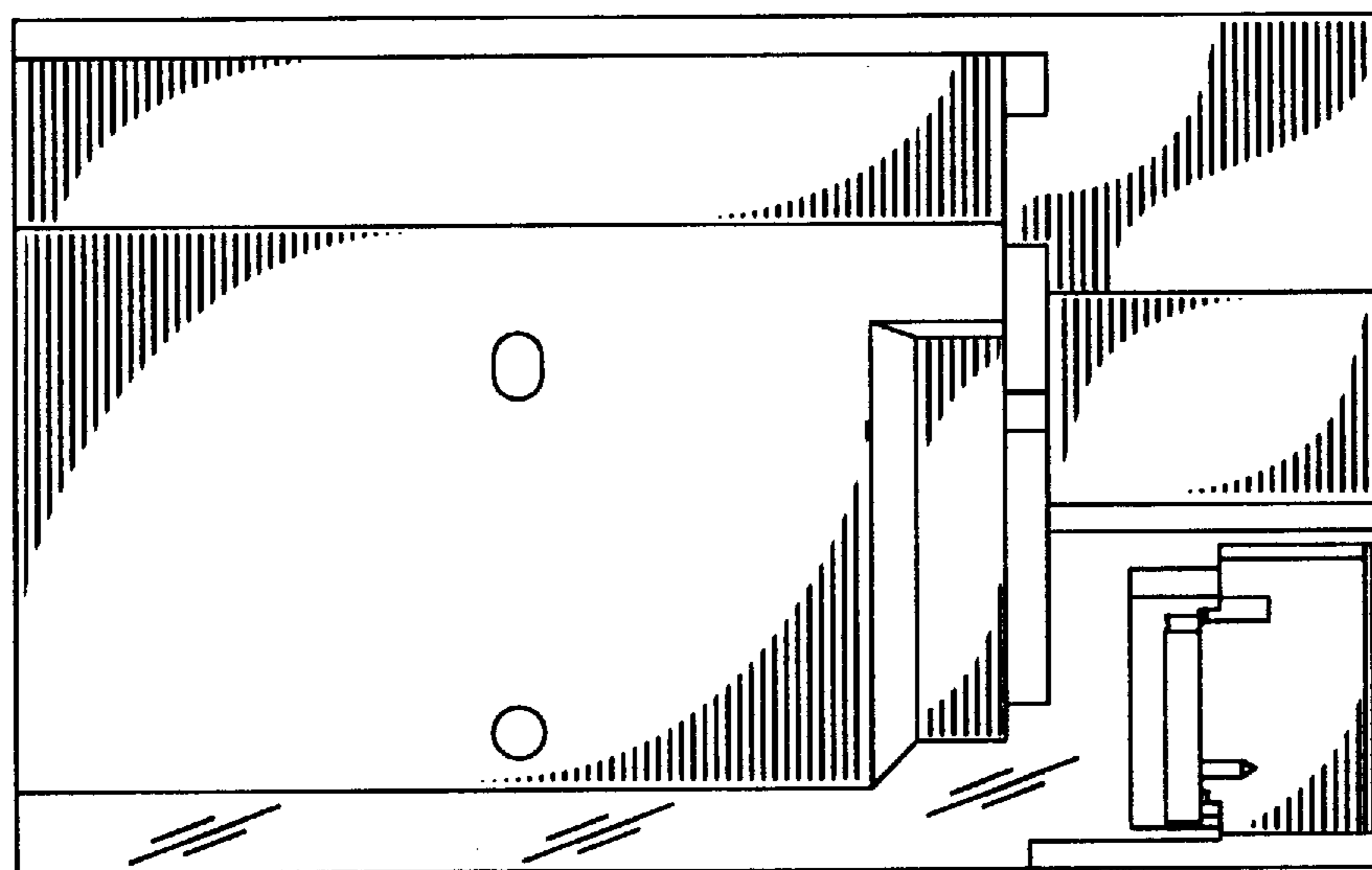


FIG. 4

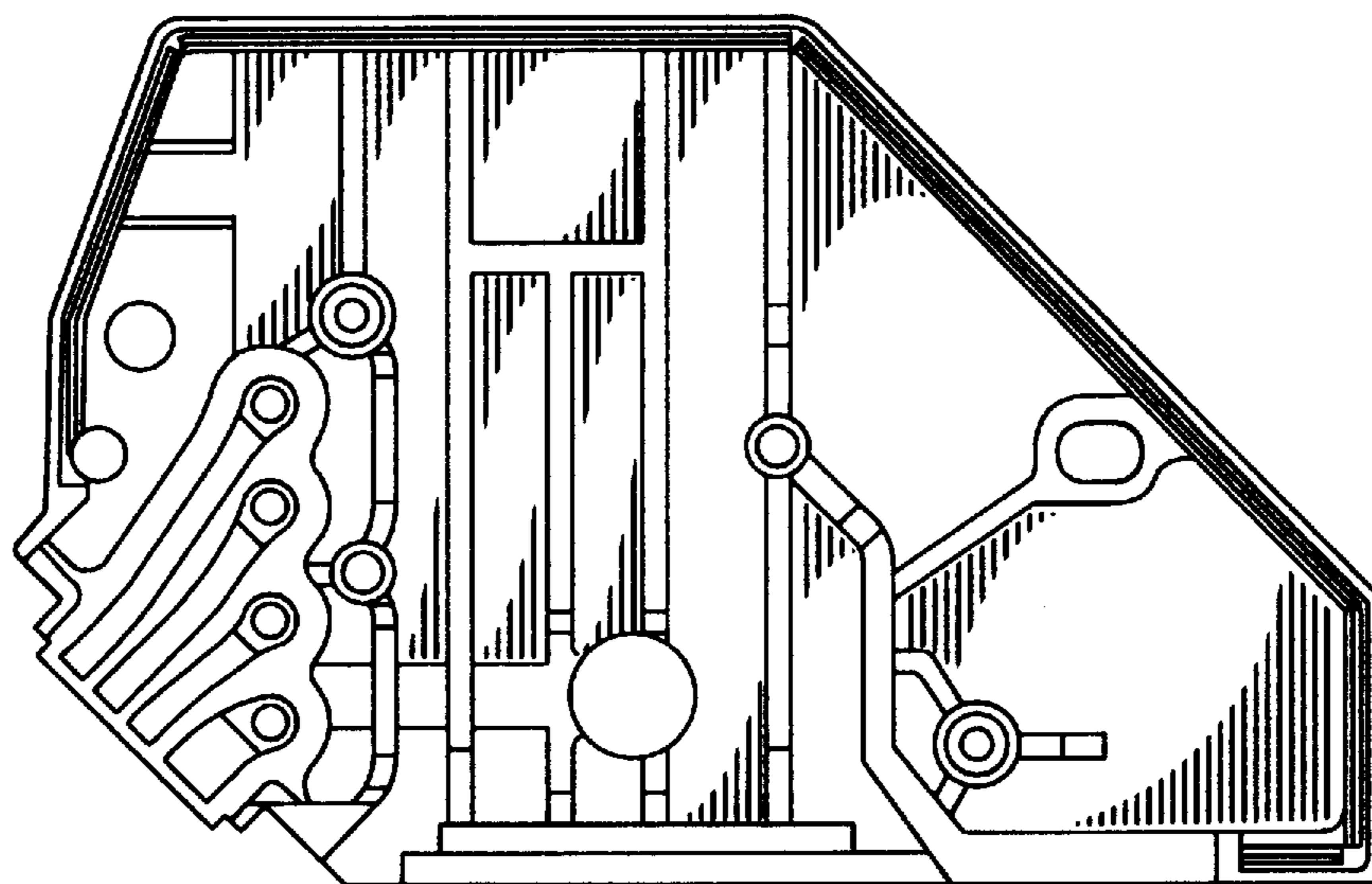


FIG. 5

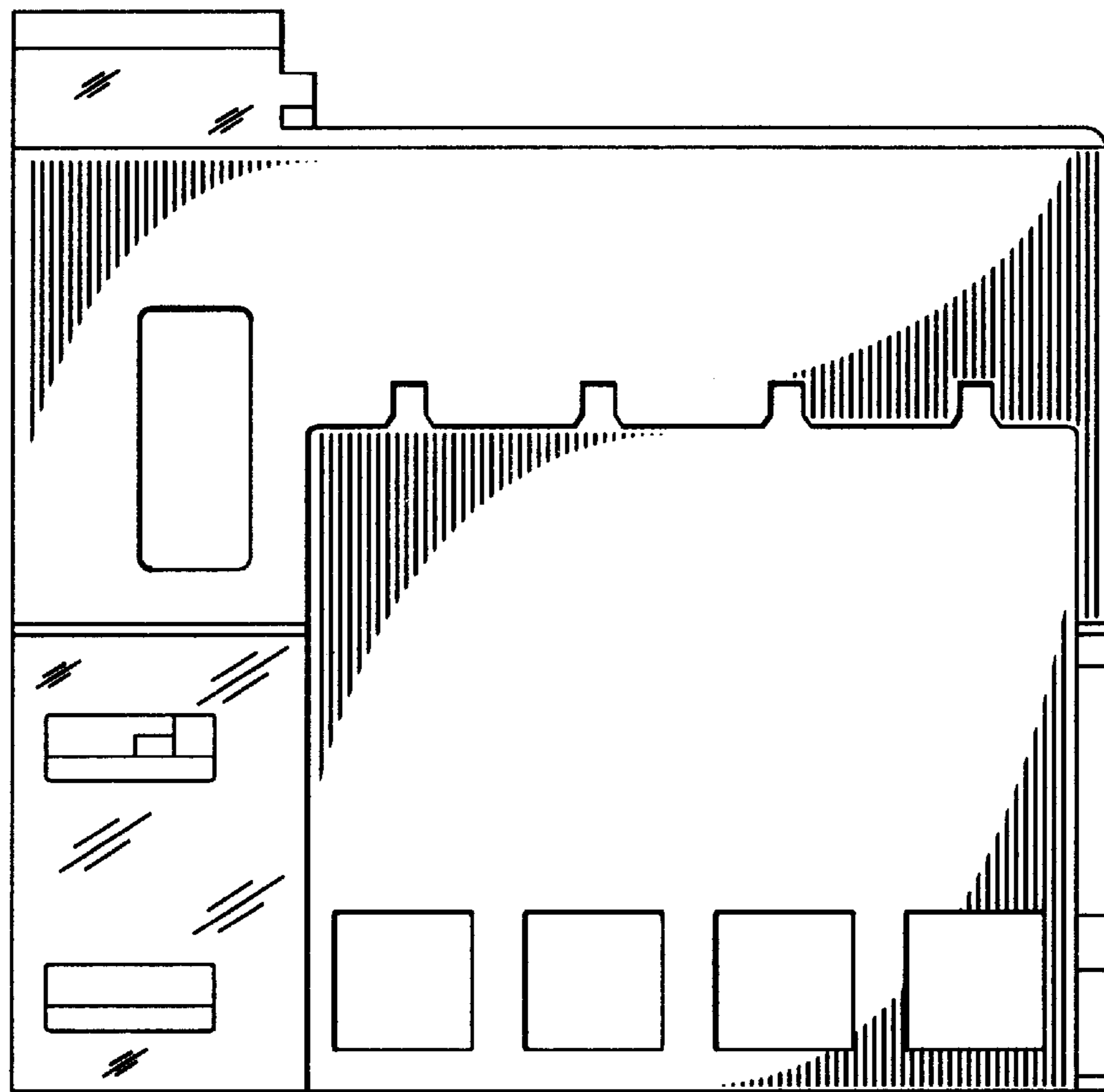


FIG. 6

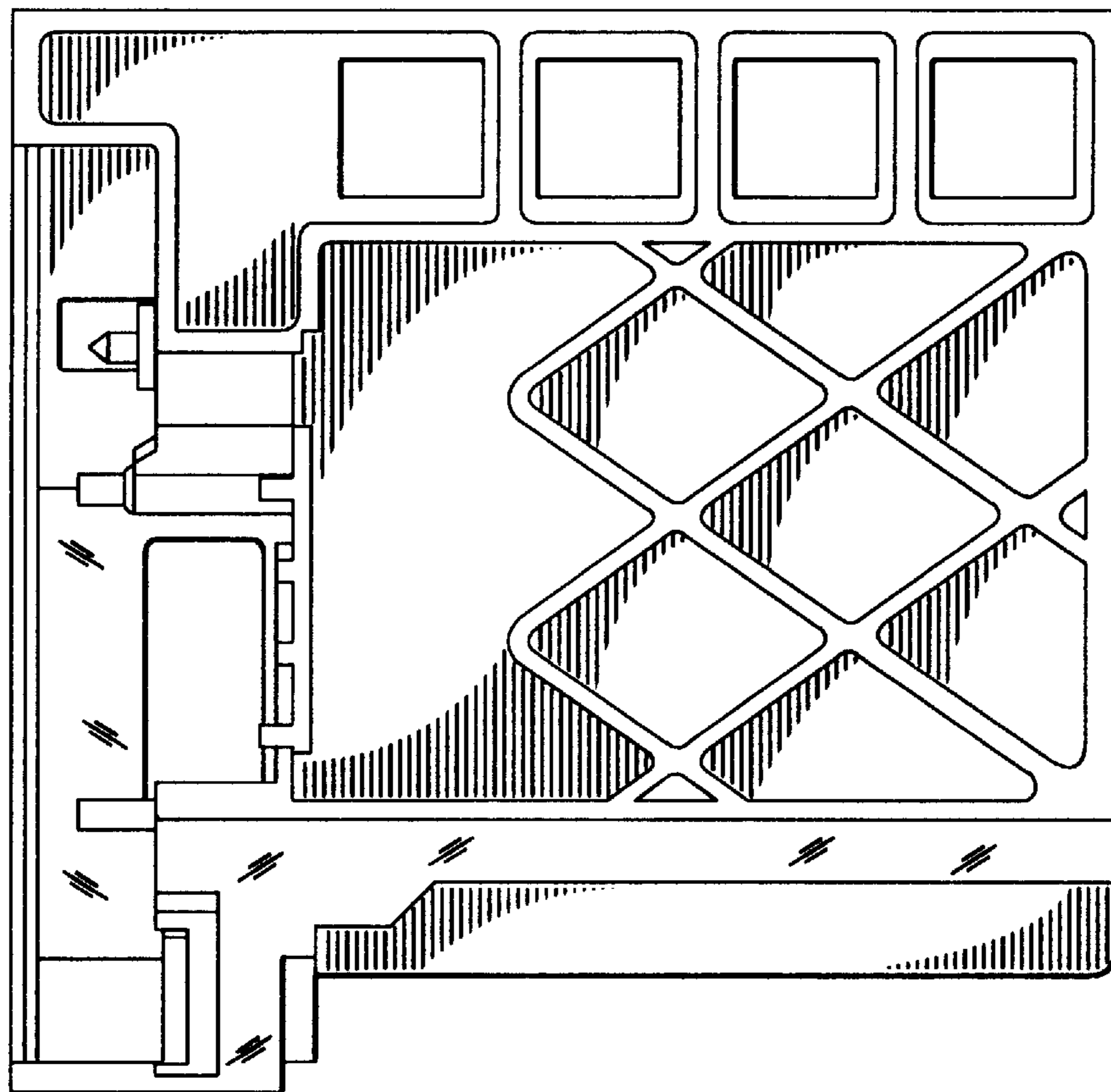


FIG. 7