



US00D395666S

United States Patent [19]

Yashiro

[11] Patent Number: **Des. 395,666**

[45] Date of Patent: ****Jun. 30, 1998**

[54] **SWIMMING GOGGLES**

[75] Inventor: **Tomoyuki Yashiro**, Higashi-Osaka, Japan

[73] Assignee: **Yamamoto Kogaku Co., Ltd.**, Higashi-Osaka, Japan

[**] Term: **14 Years**

[21] Appl. No.: **65,185**

[22] Filed: **Jan. 23, 1997**

[51] **LOC (6) Cl.** **16-06**

[52] **U.S. Cl.** **D16/303**

[58] **Field of Search** D16/300, 101, D16/303, 306, 309, 311, 315; D29/109, 110; D24/110.2; 2/428, 430, 432, 447, 449; 351/41, 44, 153, 158

[56] **References Cited**

U.S. PATENT DOCUMENTS

- D. 276,474 11/1984 Sheldon D16/303
- D. 370,927 6/1996 Yashiro D16/311
- D. 370,928 6/1996 Yashiro .
- D. 377,038 12/1996 Yashiro .
- D. 377,039 12/1996 Minamidani D16/311
- 2,709,256 5/1955 Baratelli .

- 4,264,987 5/1981 Runckel .
- 4,279,039 7/1981 Drew D16/311
- 4,468,819 9/1984 Ohno 2/430
- 5,313,671 5/1994 Flory 2/428
- 5,515,551 5/1996 Yashiro .
- 5,596,771 1/1997 Hsu et al. 2/428

Primary Examiner—Raphael Barkai
Attorney, Agent, or Firm—Oblon, Spivak, McClelland, Maier & Neustadt, P.C.

[57] **CLAIM**

The ornamental design for the swimming goggles, as shown and described.

DESCRIPTION

FIG. 1 is a front elevational view of swimming goggles showing my new design;
FIG. 2 is a rear elevational view thereof;
FIG. 3 is a right side elevational view thereof; the left side elevational view being a mirror image of the side shown;
FIG. 4 is a top plan view thereof, the bottom view being a mirror image of the top plan view;
FIG. 5 is a sectional view thereof taken along line A—A of FIG. 1 ; and,
FIG. 6 is a perspective view thereof.

1 Claim, 5 Drawing Sheets

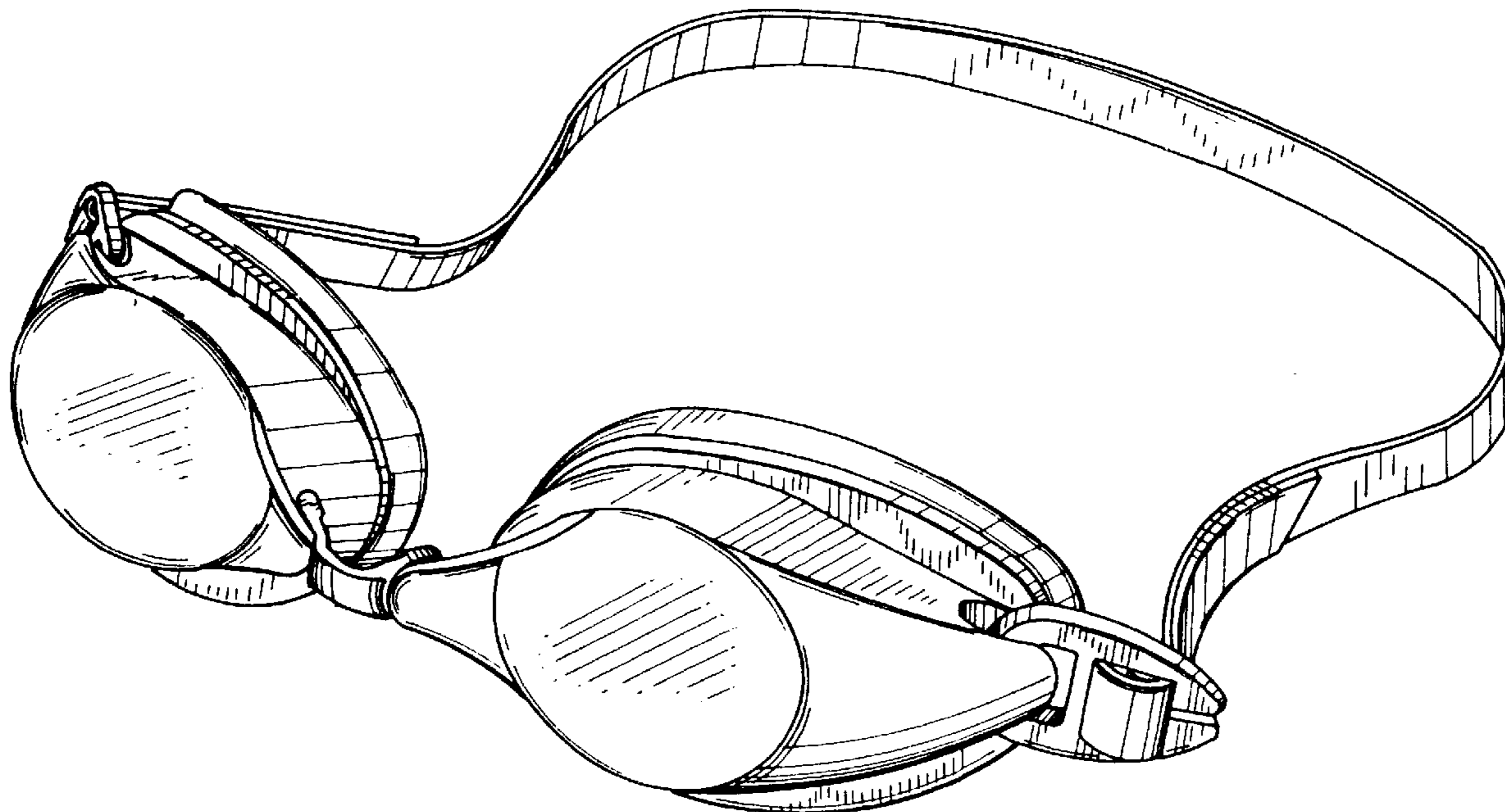


FIG.1

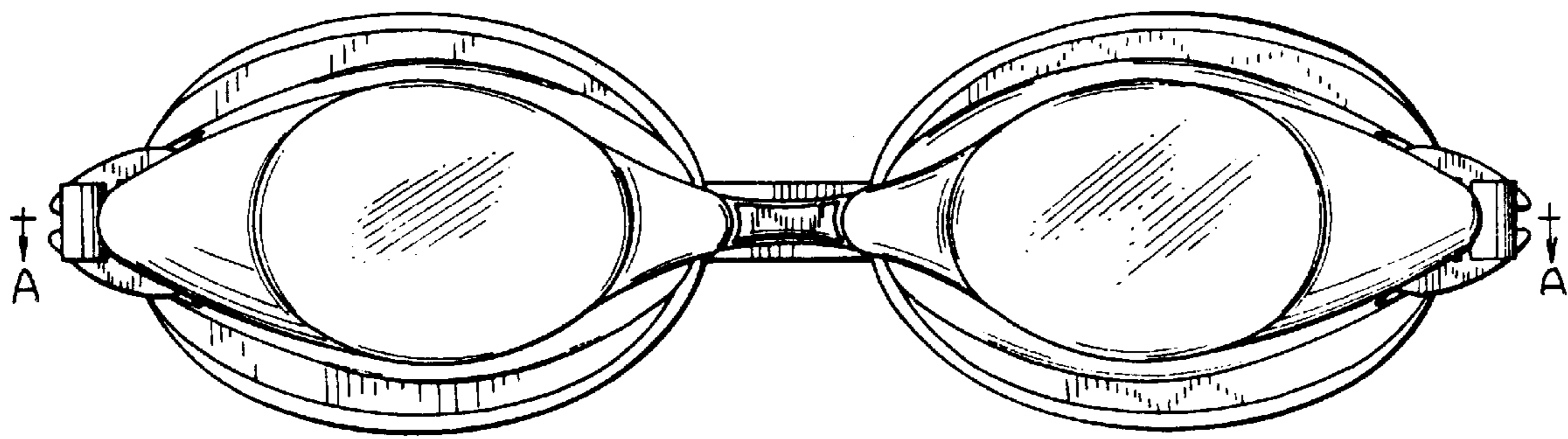


FIG.2

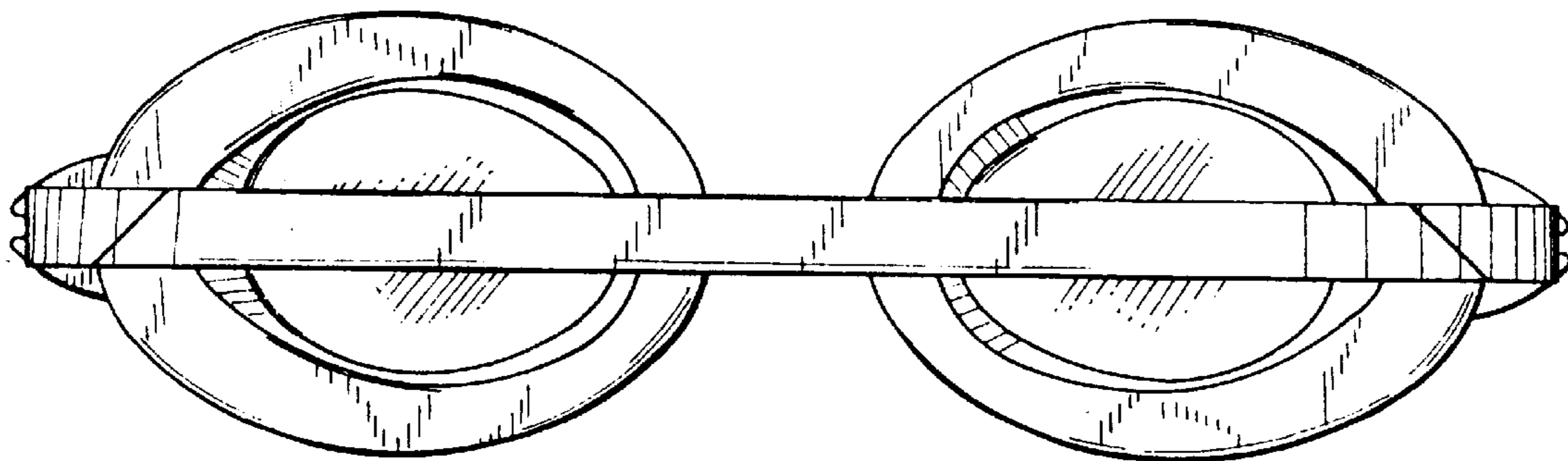


FIG.3

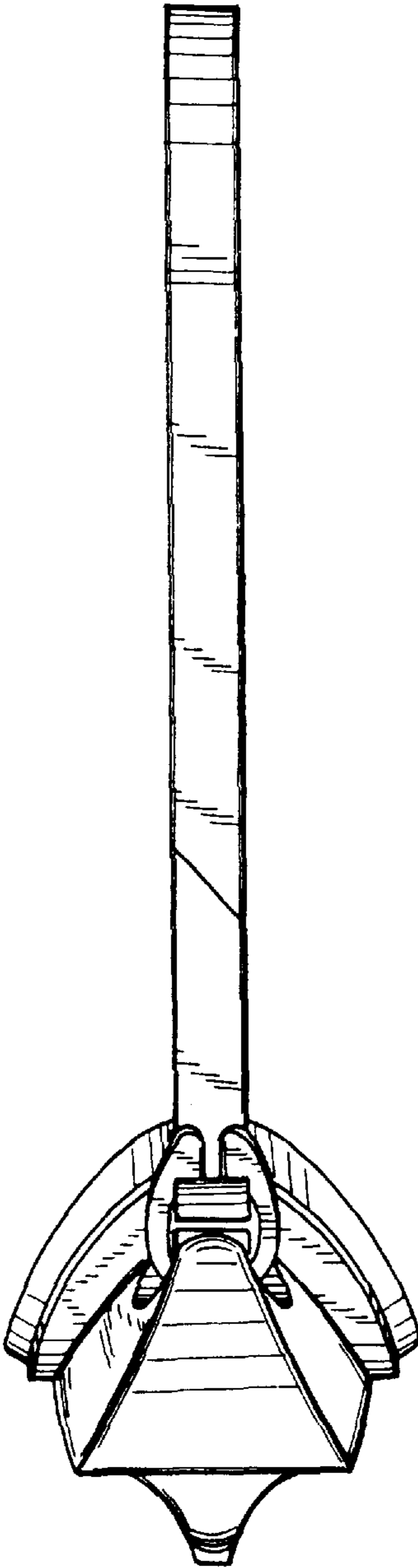


FIG. 4

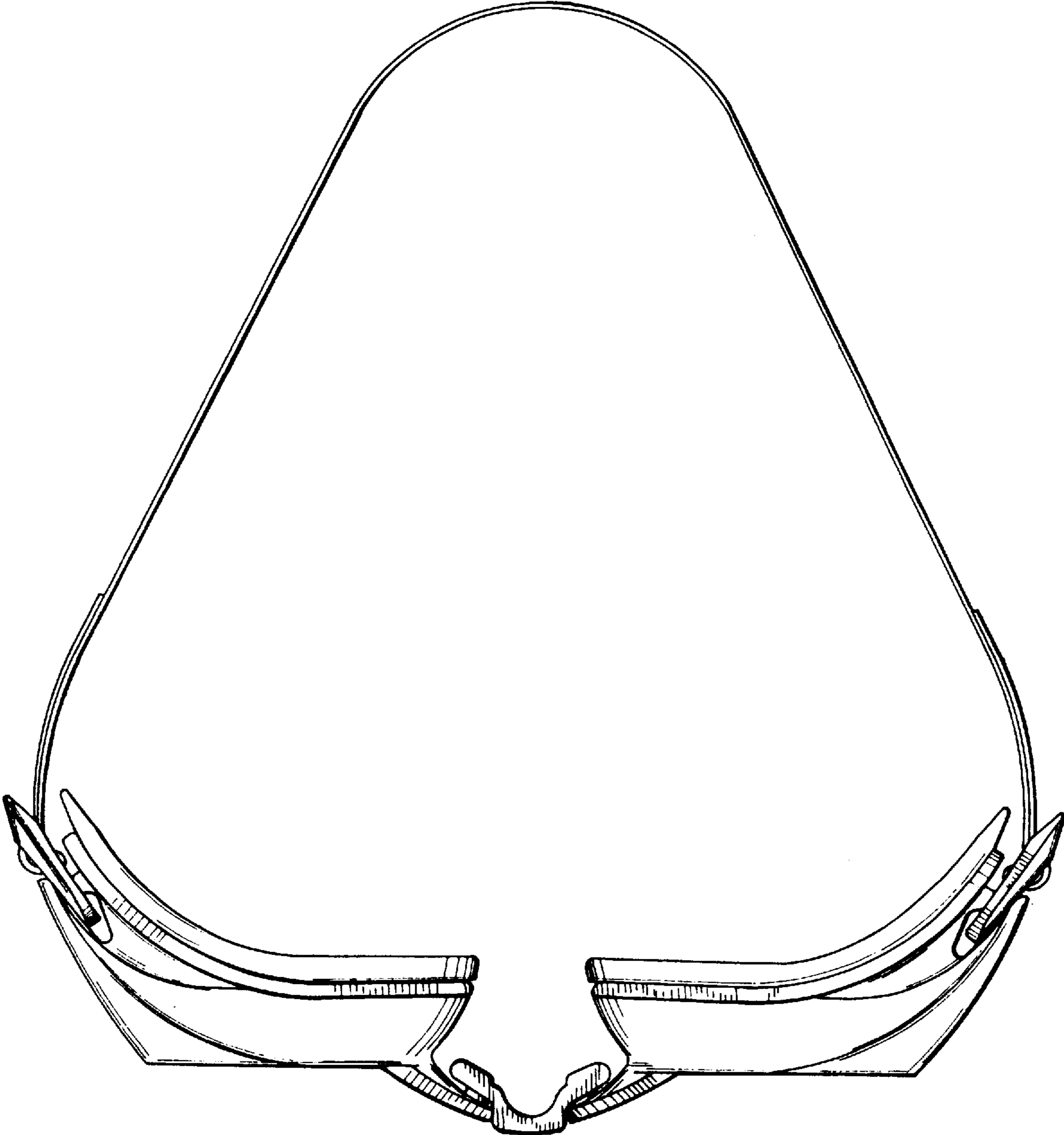


FIG. 5

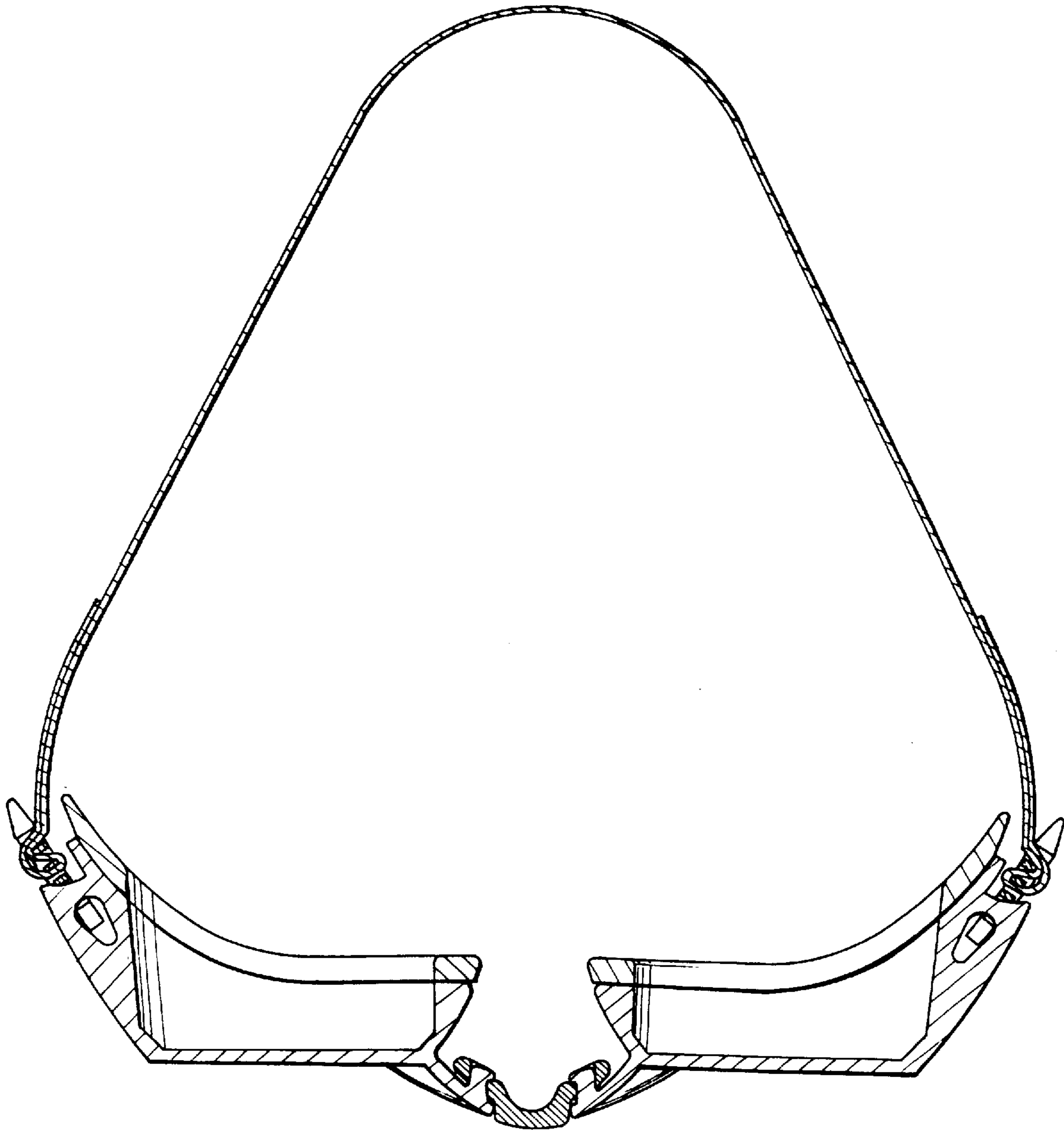
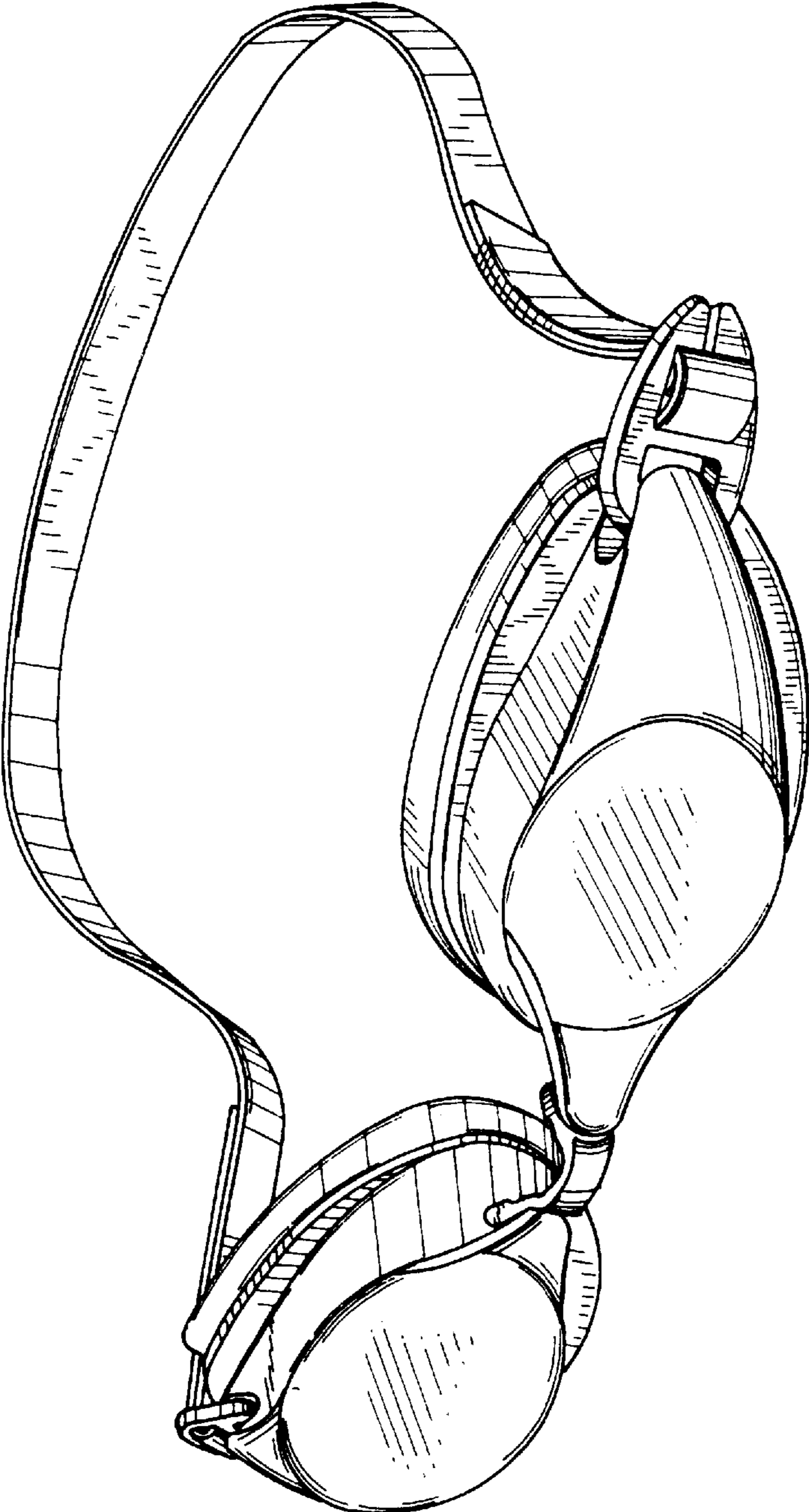


FIG. 6



UNITED STATES PATENT AND TRADEMARK OFFICE
CERTIFICATE OF CORRECTION

PATENT NO. : DES 395,666
DATED : June 30, 1998
INVENTOR(S) : Tomoyuki YASHIRO

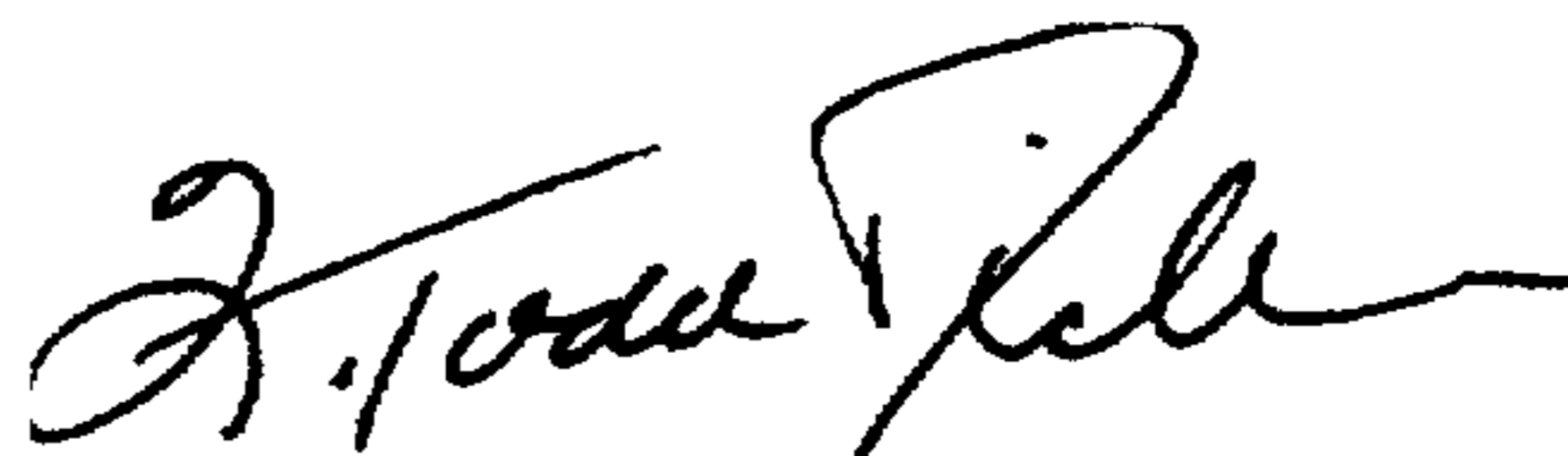
It is certified that error appears in the above-identified patent and that said Letters Patent is hereby corrected as shown below:

On the title page, Item [30], the Foreign Application Priority Data, has been omitted. It should read:

-- Aug. 1, 1996 [JP] Japan.....8-23439 --

Signed and Sealed this
Twenty-eighth Day of September, 1999

Attest:



Q. TODD DICKINSON

Attesting Officer

Acting Commissioner of Patents and Trademarks