



US00D395664S

# United States Patent [19]

Nojima et al.

[11] Patent Number: **Des. 395,664**

[45] Date of Patent: **\*\*Jun. 30, 1998**

[54] **MICROSCOPE**

[75] Inventors: **Akira Nojima**, Fussa; **Arata Ono**, Urawa, both of Japan

[73] Assignee: **Nikon Corporation**, Tokyo, Japan

[\*\*] Term: **14 Years**

[21] Appl. No.: **68,641**

[22] Filed: **Mar. 24, 1997**

### [30] Foreign Application Priority Data

Oct. 24, 1996 [JP] Japan ..... 8-31886

[51] **LOC (6) Cl.** ..... **16-06**

[52] **U.S. Cl.** ..... **D16/131**

[58] **Field of Search** ..... D16/130, 131;  
359/385, 368, 376, 377, 381, 388, 390,  
393, 383, 375

### [56] References Cited

#### U.S. PATENT DOCUMENTS

D. 273,592 4/1984 Armbruster ..... D16/131  
D. 296,904 7/1988 Lukaszewski ..... D16/131

D. 340,251 10/1993 Frenkler et al. .... D16/131  
D. 345,746 4/1994 Hölbl ..... D16/131  
D. 354,761 1/1995 Komatsuzaki et al. .... D16/131  
1,853,674 4/1932 Englemann ..... 359/375  
2,166,034 7/1939 Allison ..... 359/383  
2,195,657 4/1940 Oit ..... 359/381  
2,967,456 1/1961 Maier ..... 359/376 X  
3,064,529 11/1962 Straat ..... 359/381 X  
4,283,111 8/1981 Wieber et al. .... 359/381  
5,198,927 3/1993 Rathbone et al. .... 359/385

*Primary Examiner*—Paula A. Mortimer  
*Attorney, Agent, or Firm*—Oliff & Berridge, P.L.C.

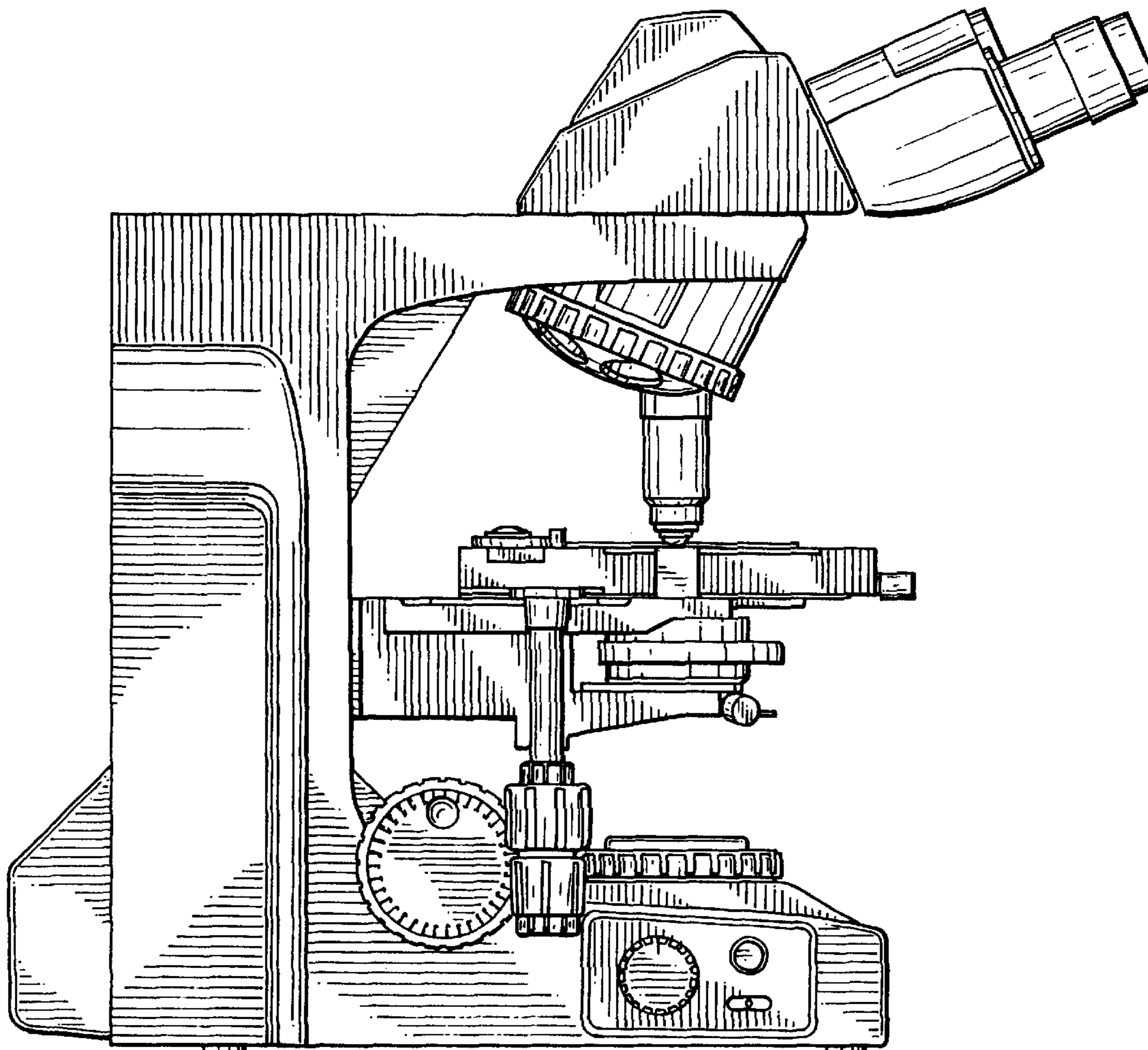
### [57] CLAIM

The ornamental design for a microscope, as shown.

### DESCRIPTION

FIG. 1 is a front elevational view of a microscope showing our new design;  
FIG. 2 is a left side elevational view thereof;  
FIG. 3 is a rear elevational view thereof;  
FIG. 4 is a right side elevational view thereof;  
FIG. 5 is a top plan elevational view thereof; and,  
FIG. 6 is a bottom plan elevational view thereof.

**1 Claim, 6 Drawing Sheets**



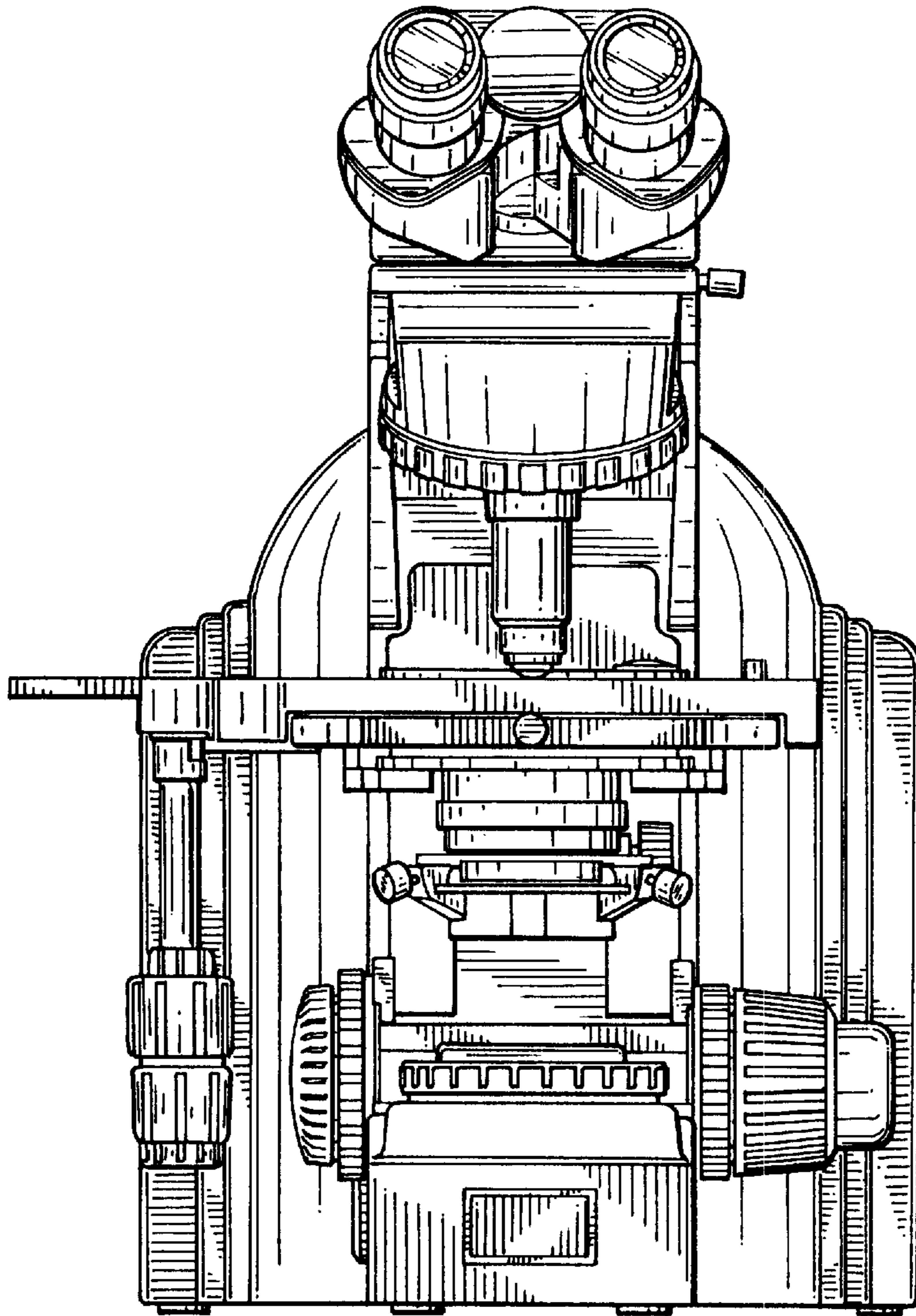


FIG. 1

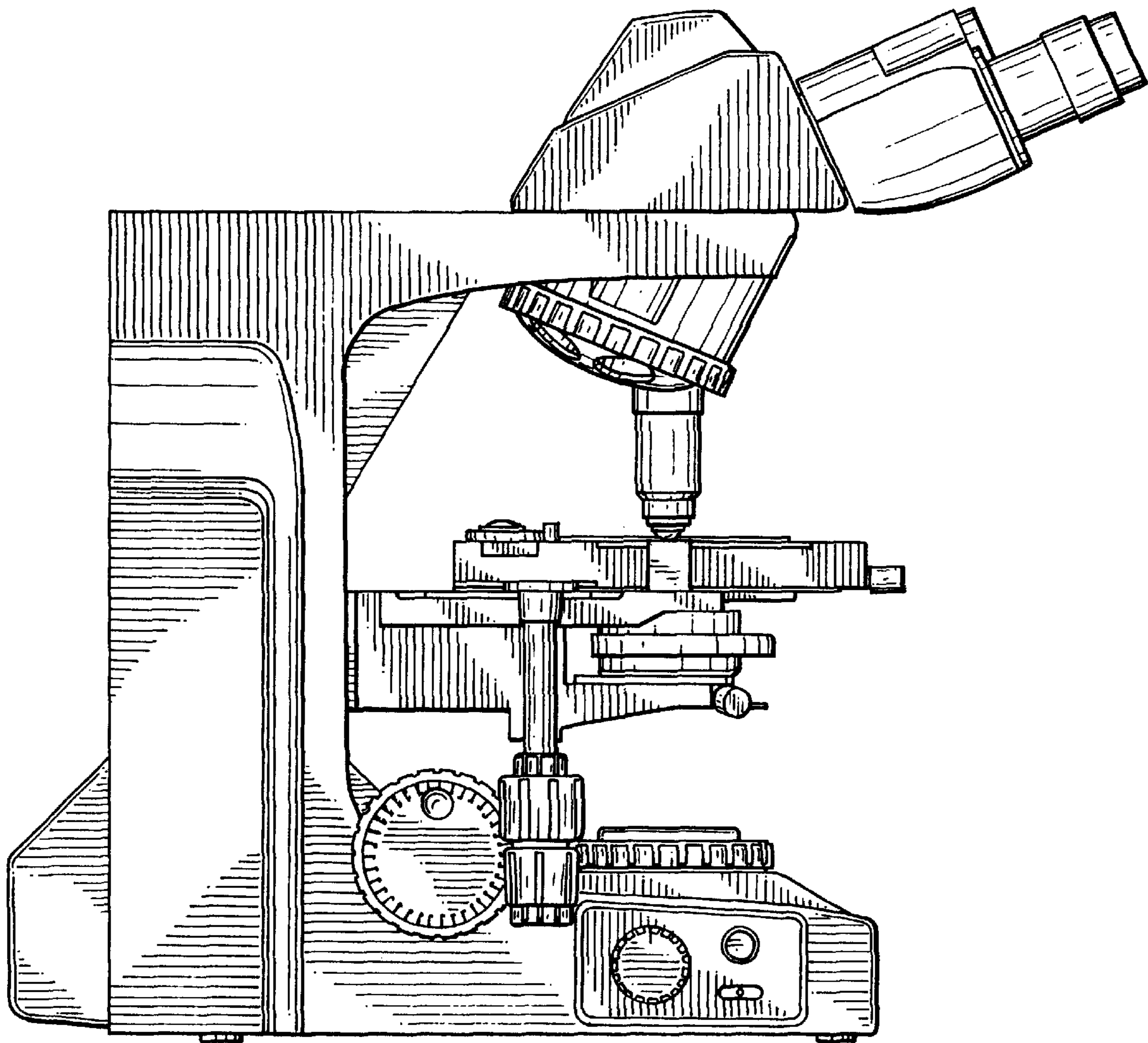


FIG. 2

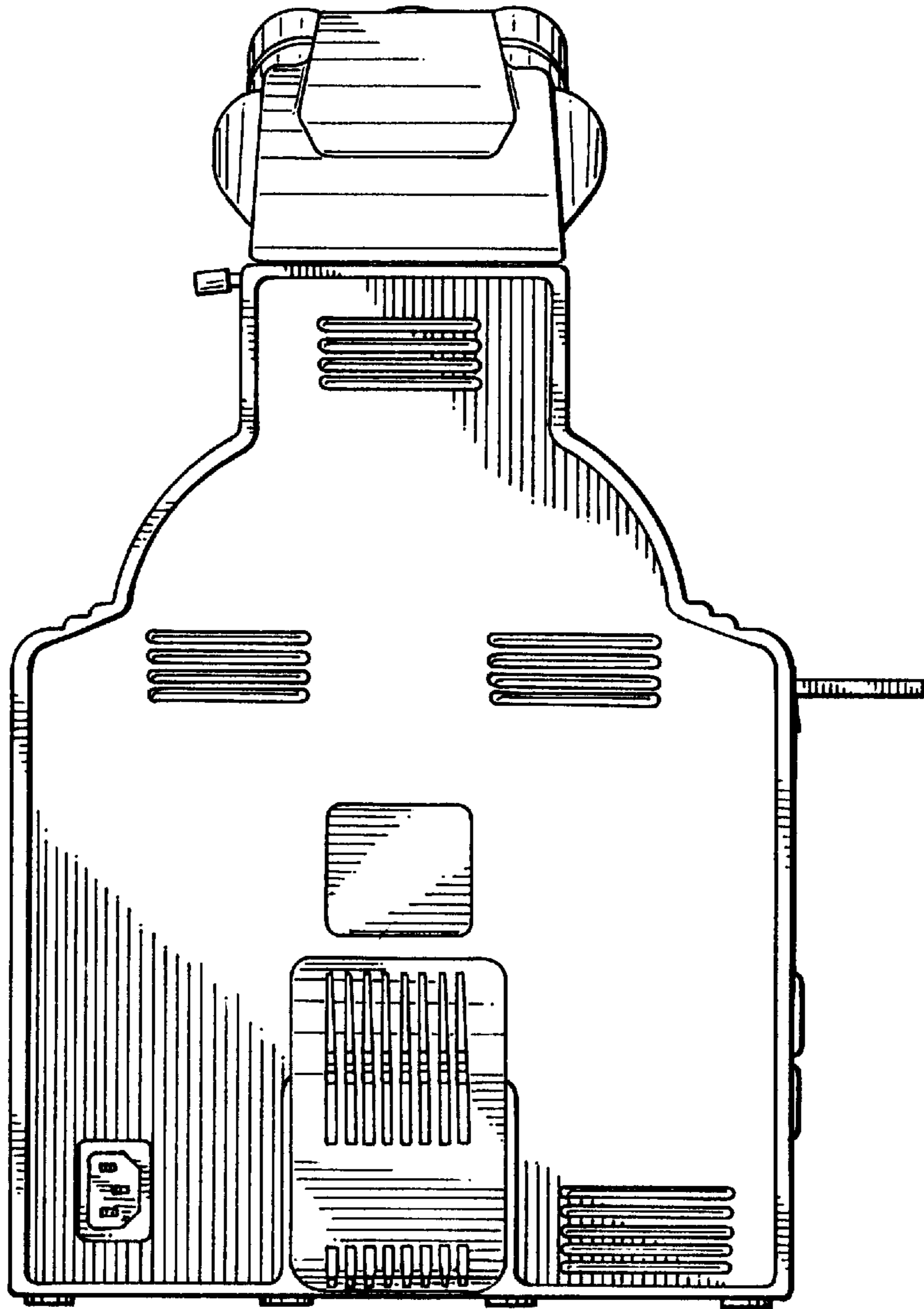


FIG. 3

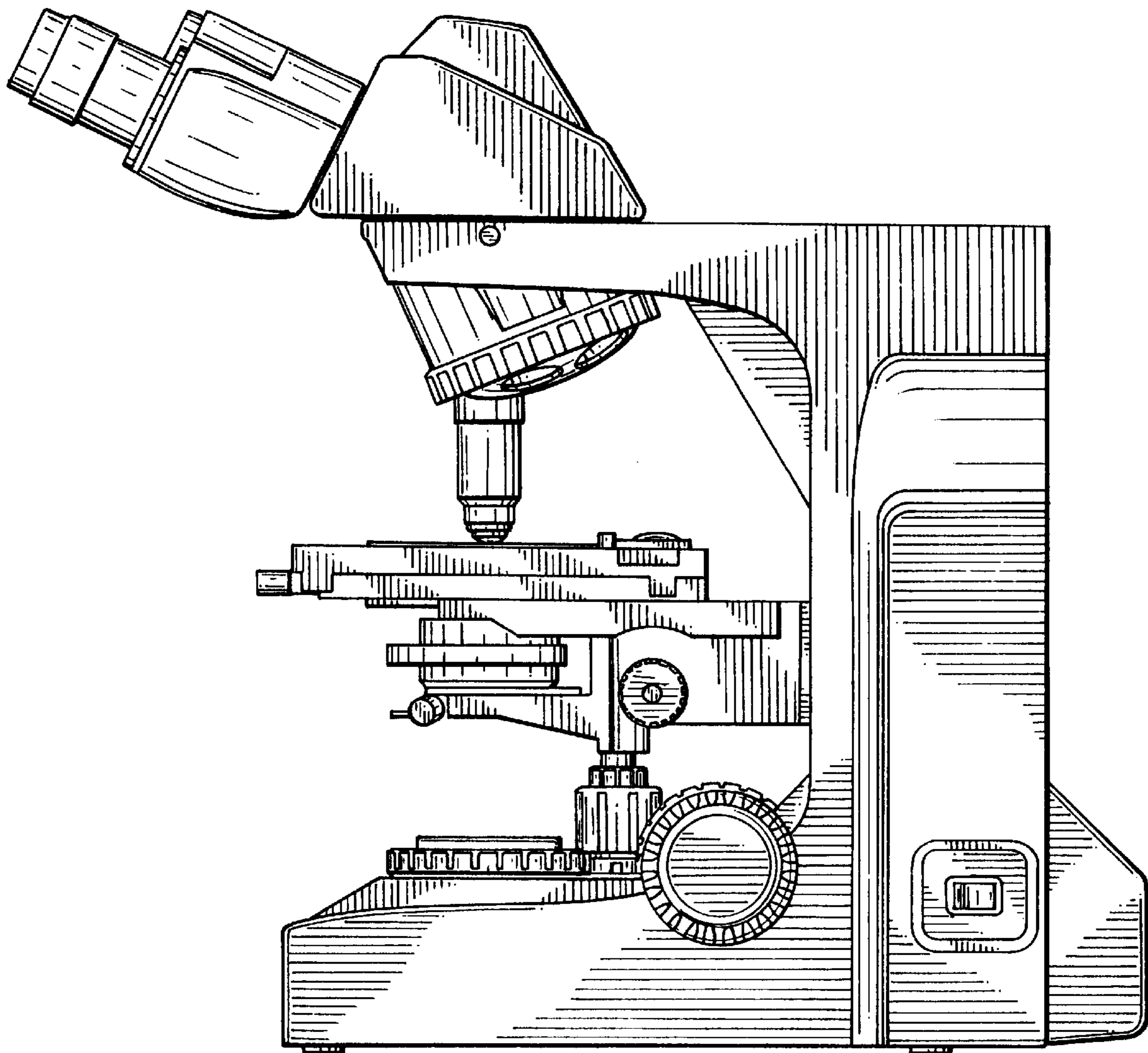


FIG. 4

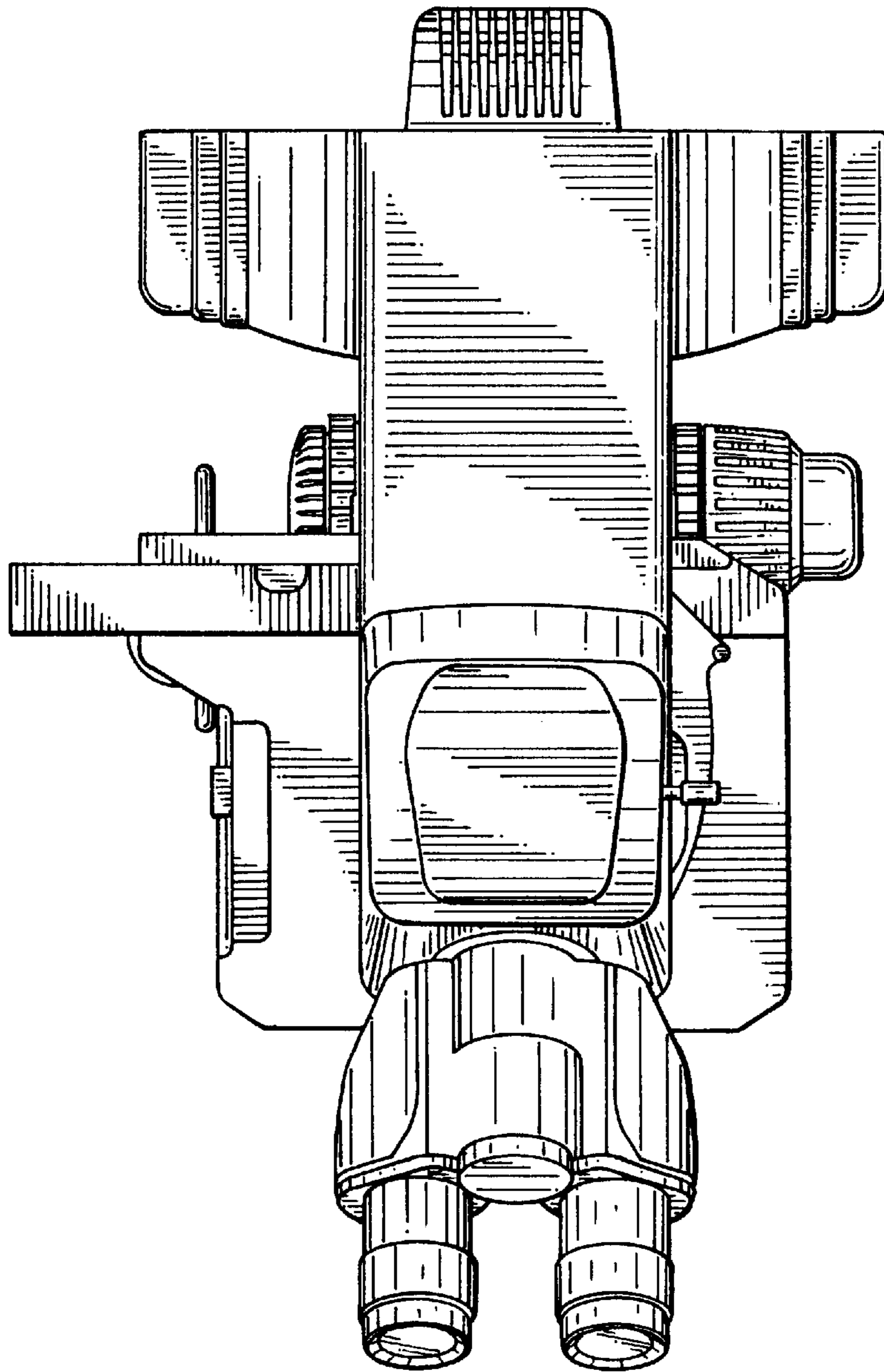


FIG. 5

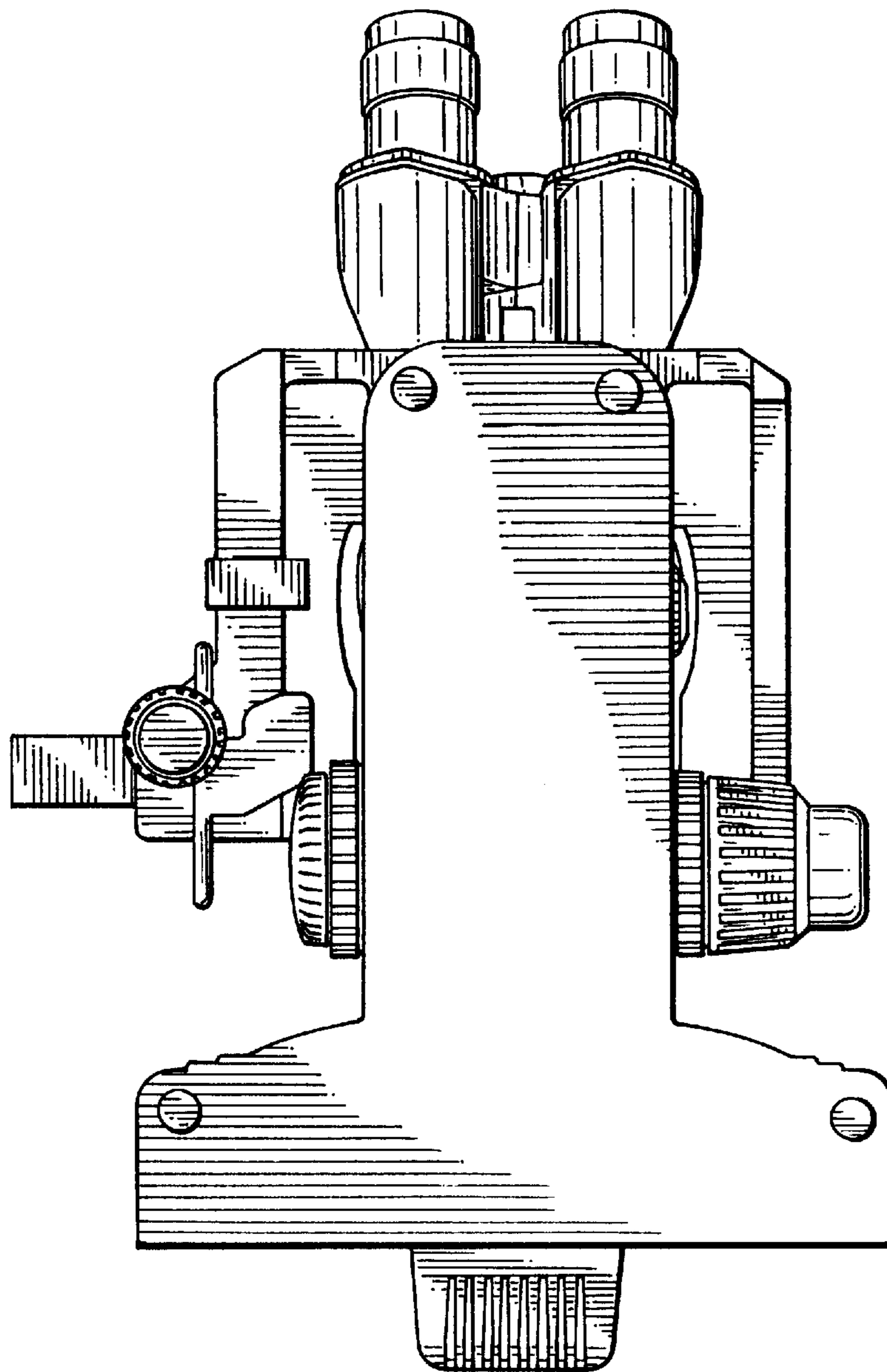


FIG. 6