



US00D395663S

United States Patent [19]

Murén et al.

[11] **Patent Number: Des. 395,663**

[45] **Date of Patent: **Jun. 30, 1998**

[54] **CUTTING INSERT**

4,941,780	7/1990	Takahashi	407/114
5,044,840	9/1991	Fouquer et al.	407/114
5,476,346	12/1995	Lundstrom	407/114

[75] Inventors: **Sture Murén**, Gävle; **Jörgen Wiman**, Sandviken, both of Sweden

[73] Assignee: **Sandvik Aktiebolag**, Sandviken, Sweden

Primary Examiner—Antoine Duval Davis
Attorney, Agent, or Firm—Burns, Doane, Swecker & Mathis, L.L.P.

[**] Term: **14 Years**

[57] **CLAIM**

[21] Appl. No.: **60,379**

The ornamental design for a cutting insert, as shown and described.

[22] Filed: **Sep. 27, 1996**

DESCRIPTION

[30] **Foreign Application Priority Data**

Mar. 28, 1996 [SE] Sweden 96 0714

FIG. 1 is a front, top perspective view of the cutting insert showing our new design;

[51] **LOC (6) Cl.** **15-09**

FIG. 2 is a top plan view thereof, the bottom plan view being identical;

[52] **U.S. Cl.** **D15/139**

FIG. 3 is a front elevational view thereof, the back elevational view being identical; and,

[58] **Field of Search** D15/139; 407/113-119

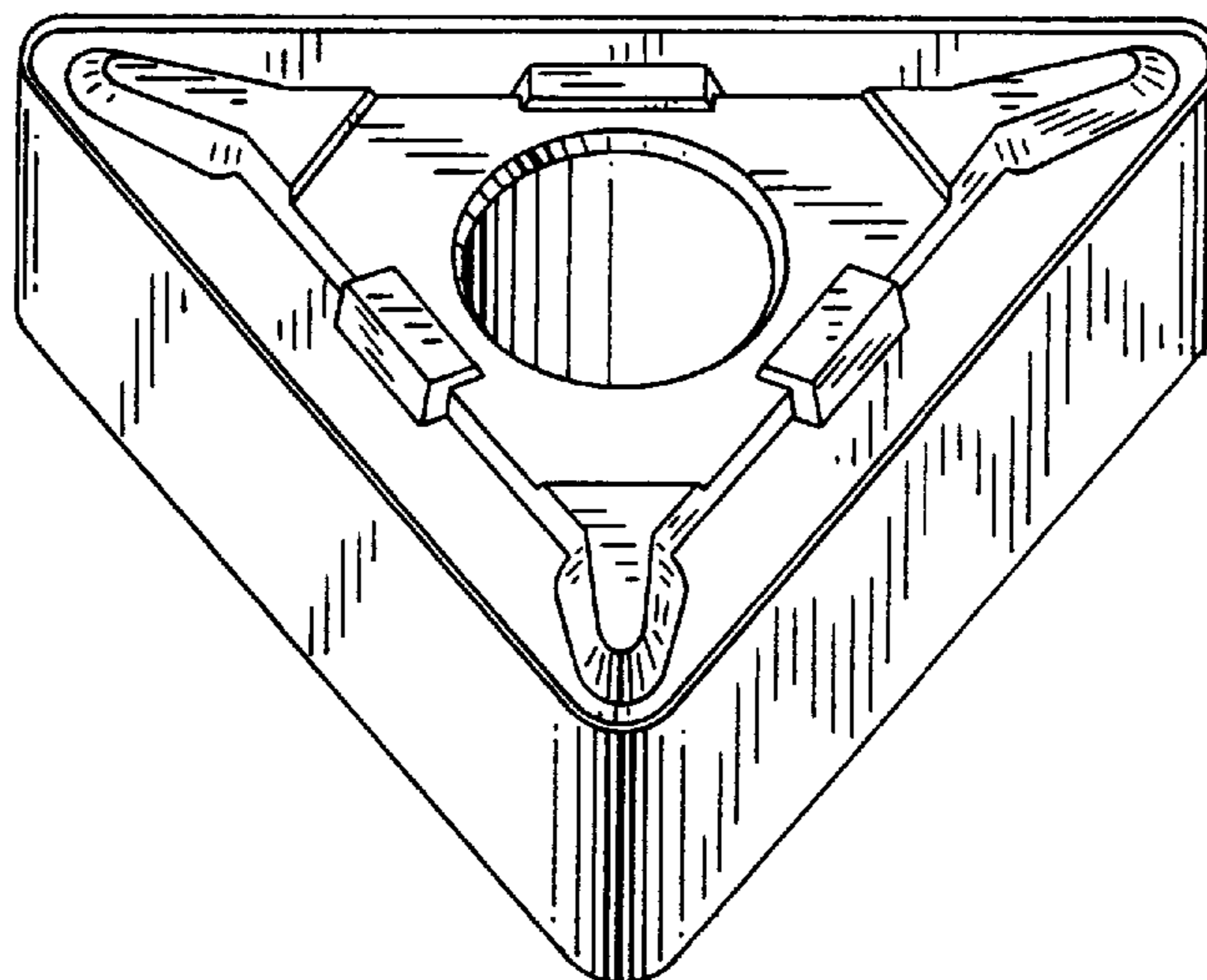
FIG. 4 is a rear elevational view thereof, the left side elevational view being identical.

[56] **References Cited**

U.S. PATENT DOCUMENTS

D. 345,985 4/1994 Ishikawa et al. D15/139

1 Claim, 1 Drawing Sheet



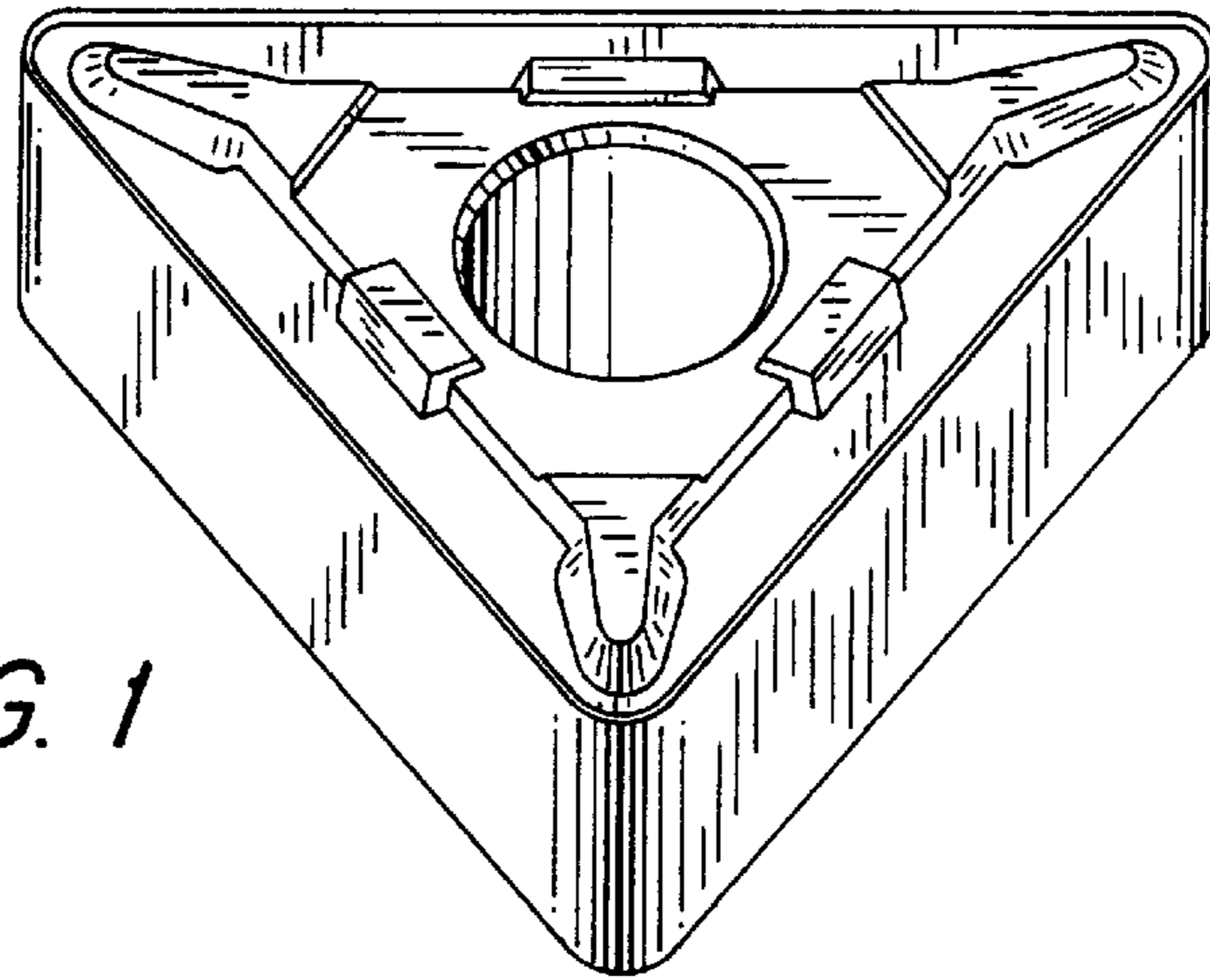


FIG. 1

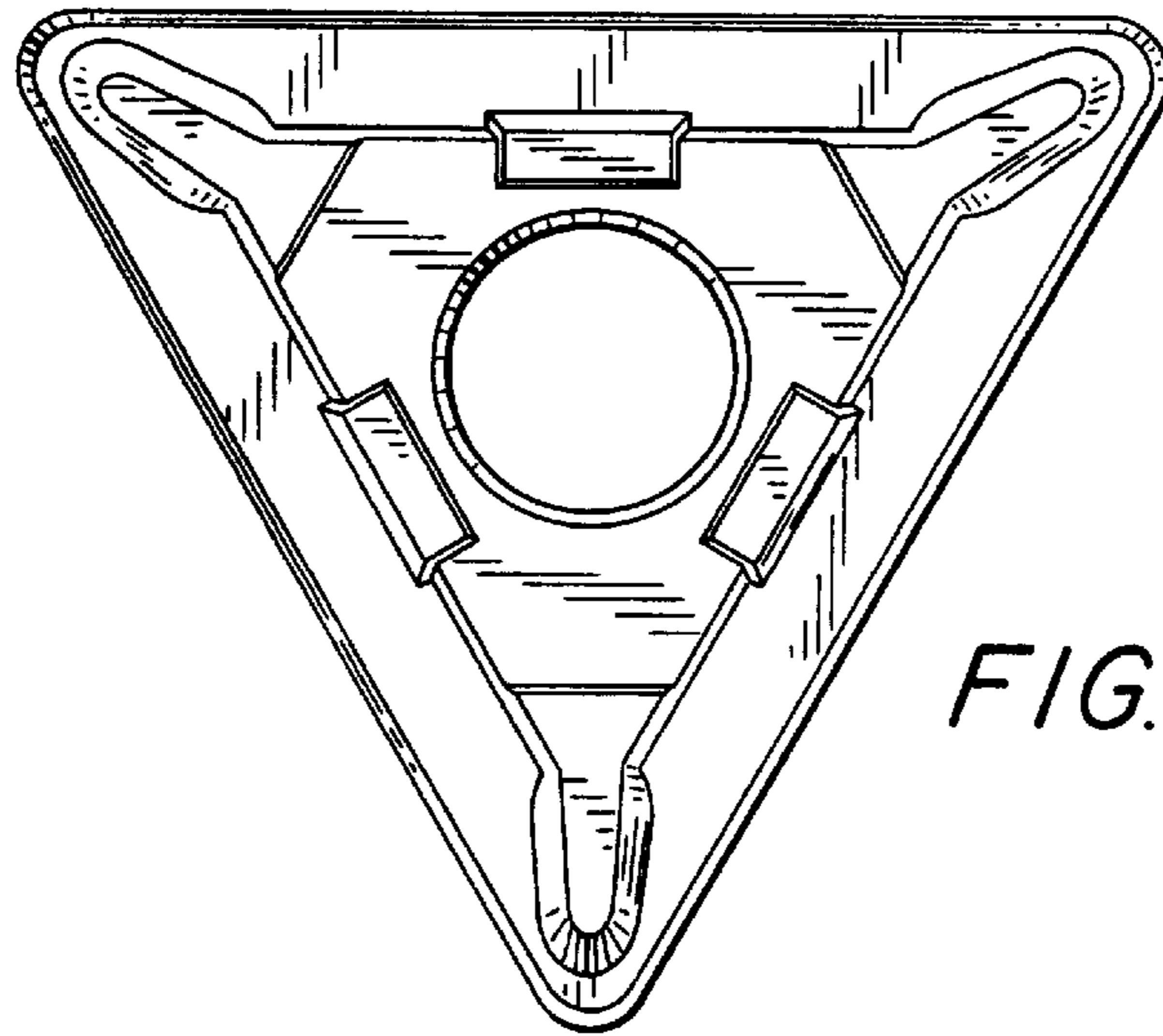


FIG. 2

FIG. 3

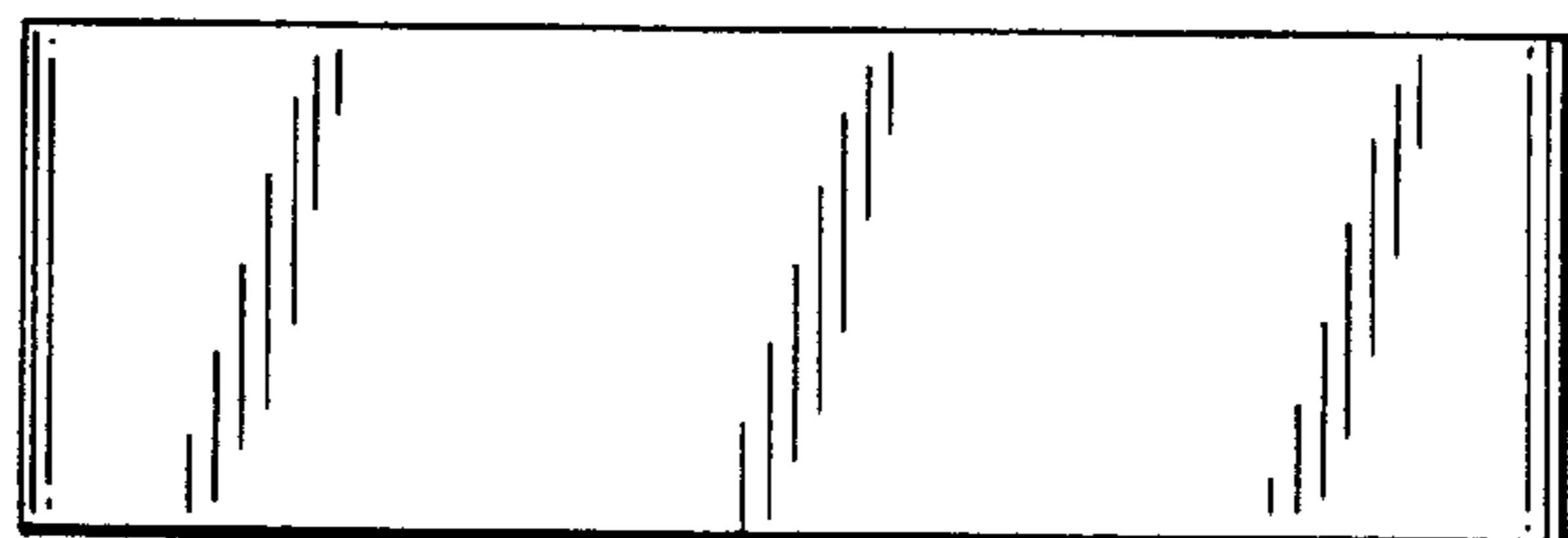
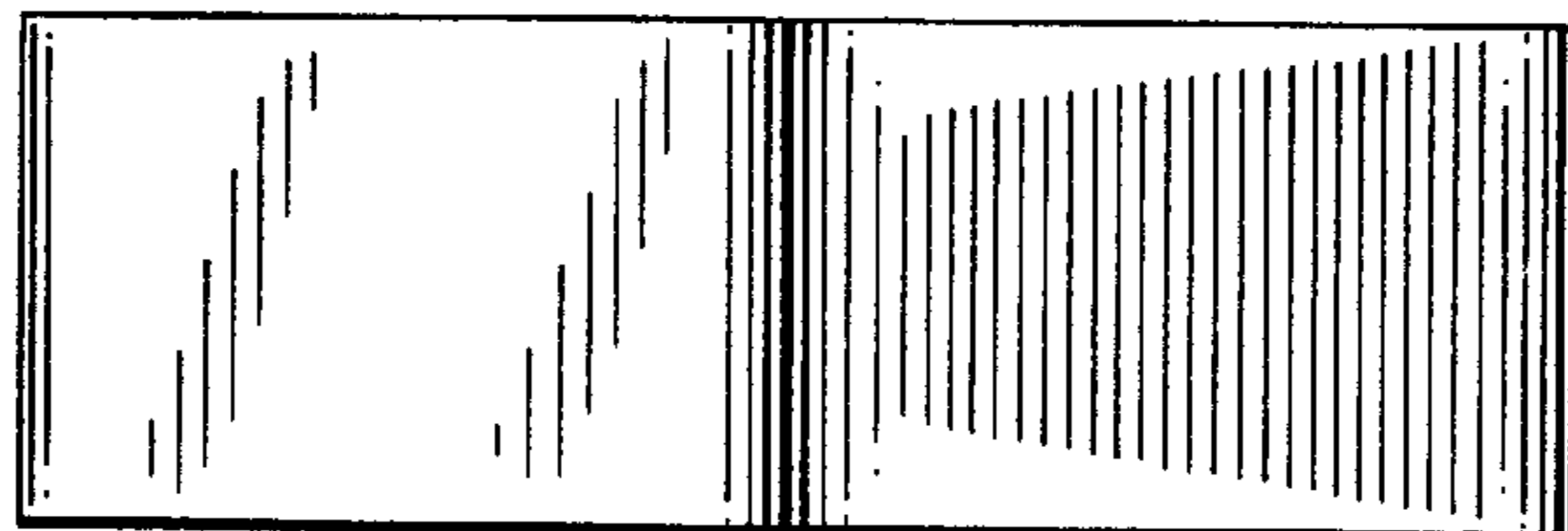


FIG. 4