

US00D395660S

# United States Patent [19]

Soefje et al.

[11] **Patent Number: Des. 395,660**

[45] **Date of Patent: \*\*Jun. 30, 1998**

[54] **SIDE MOUNT BLADE FOR RIDING LAWNMOWER**

4,570,366 2/1986 Yost ..... 37/232

[76] Inventors: **Helen B. Soefje**, P.O. Box 1835, Seguin, Tex. 78155; **Hubert G. Lovelady**, 4352 Wildt Rd., San Antonio, Tex. 78222

[\*\*] Term: **14 Years**

[21] Appl. No.: **71,456**

[22] Filed: **May 27, 1997**

[51] **LOC (6) Cl. .... 15-03**

[52] **U.S. Cl. .... D15/17**

[58] **Field of Search** ..... D15/10-12, 14-17, D15/28, 32; 37/231, 232; 56/12.1, 12.7, 12.8, 13.4, 13.7, 17.1, 16.7, 17.5, 202, 255, 320.1-320.2

[56] **References Cited**

**U.S. PATENT DOCUMENTS**

2,841,894	7/1958	Valois	.....	37/232
2,862,315	12/1958	Blanchett	.....	37/232
3,659,363	5/1972	Snyder	.....	37/231
3,858,662	1/1975	Reid	.....	37/231

**OTHER PUBLICATIONS**

John Deere Lawn Tractors Catalog, p. 8. Blade attachment, top right, Dec. 1987.

*Primary Examiner*—Sandra L. Morris

[57] **CLAIM**

The ornamental design for a side mount blade for riding lawnmower, as shown.

**DESCRIPTION**

FIG. 1 is a top, front, left side perspective view of a side mount blade for riding lawnmower, showing our new design; the broken line showing of the lawnmower is for illustrative purposes only, and forms no part of the claimed design.

FIG. 2 is a top plan view thereof;

FIG. 3 is a front elevational view thereof;

FIG. 4 is a left end elevational view thereof;

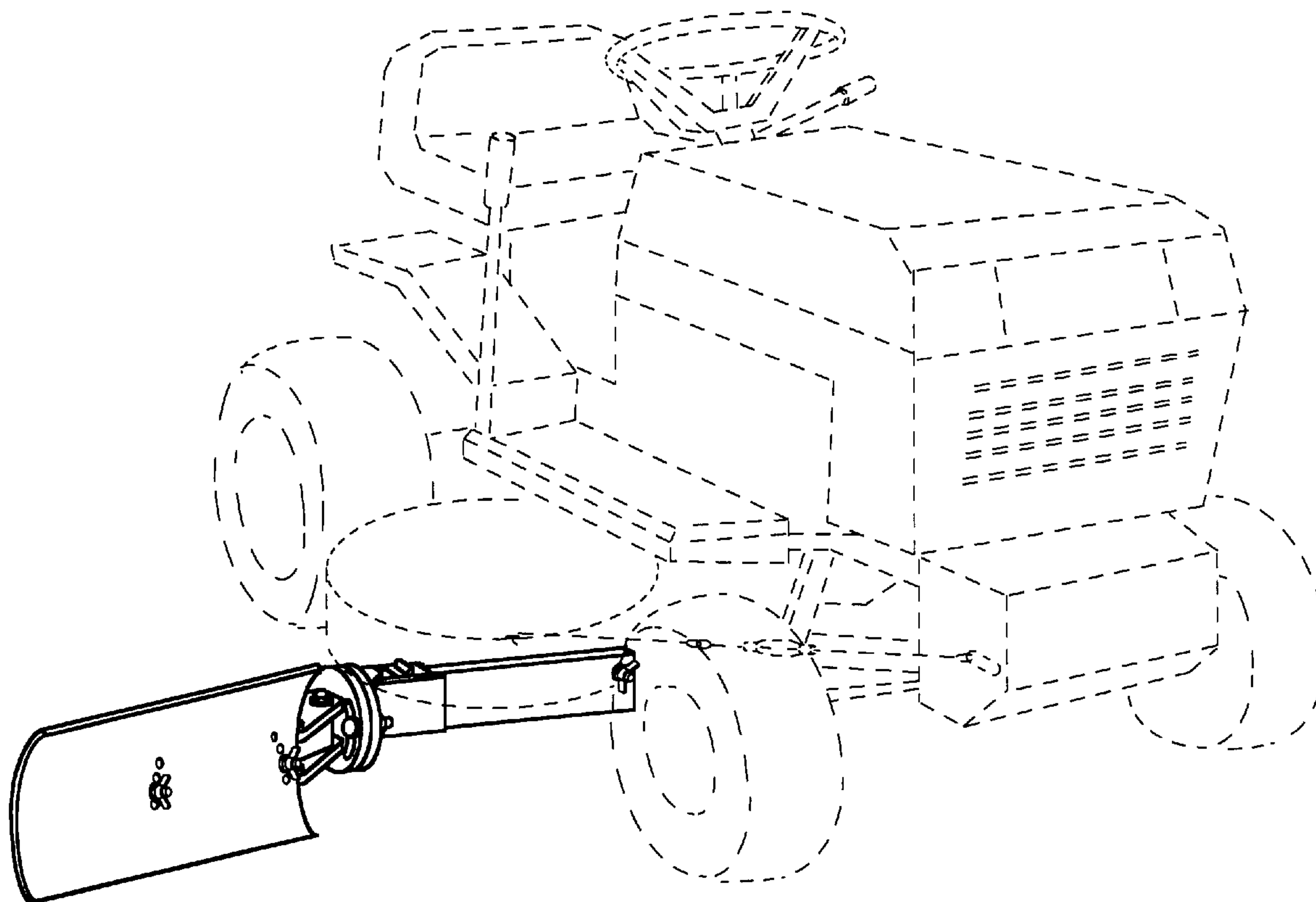
FIG. 5 is a right end elevational view thereof;

FIG. 6 is a bottom plan view, thereof; and,

FIG. 7 is a back elevational view thereof.

FIGS. 2-7 are shown on an enlarged scale.

**1 Claim, 4 Drawing Sheets**



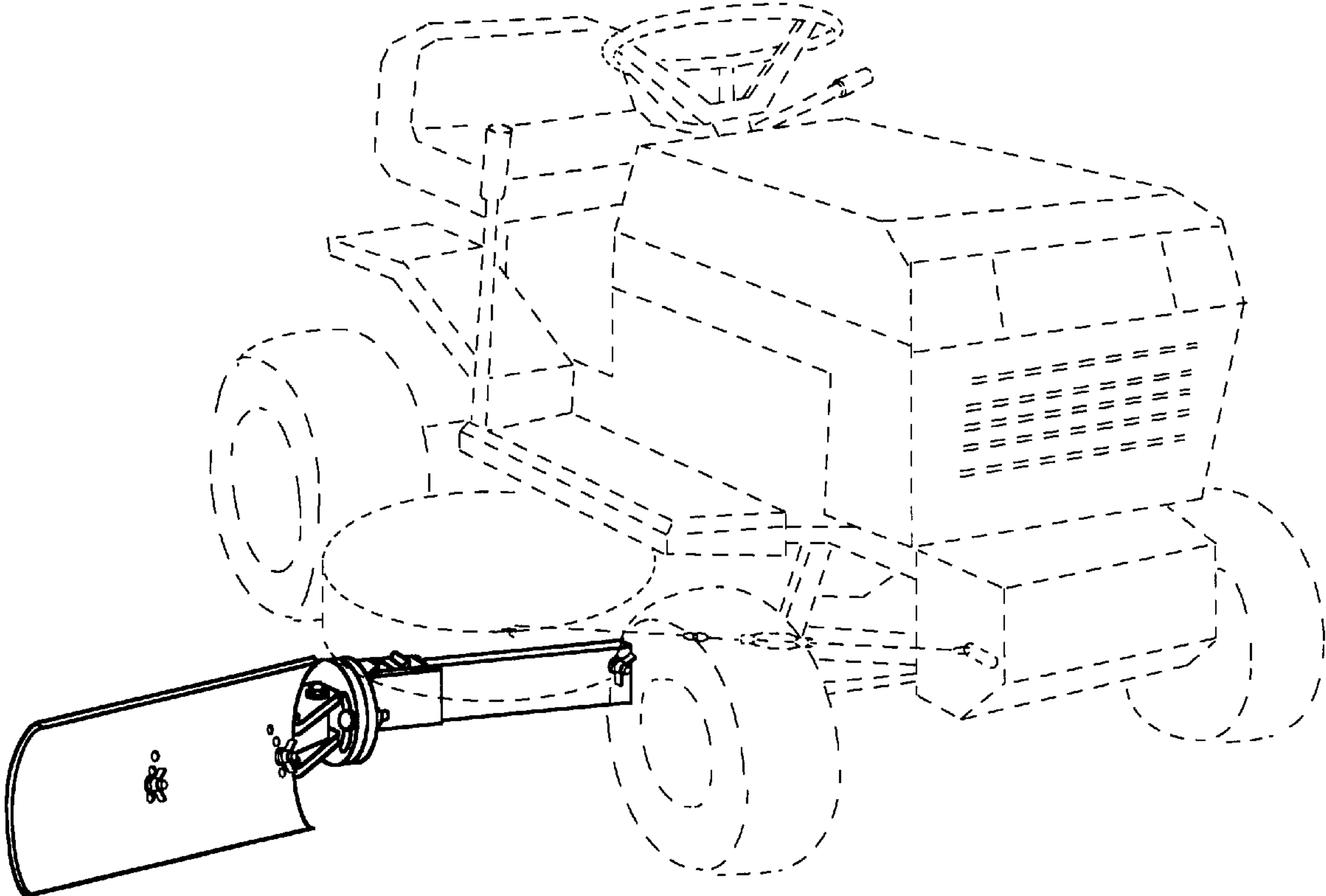
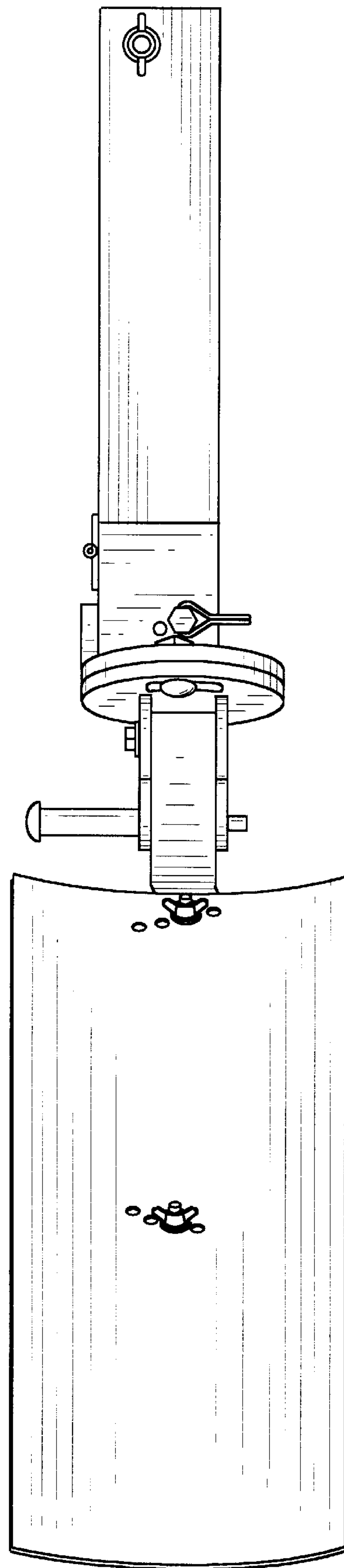
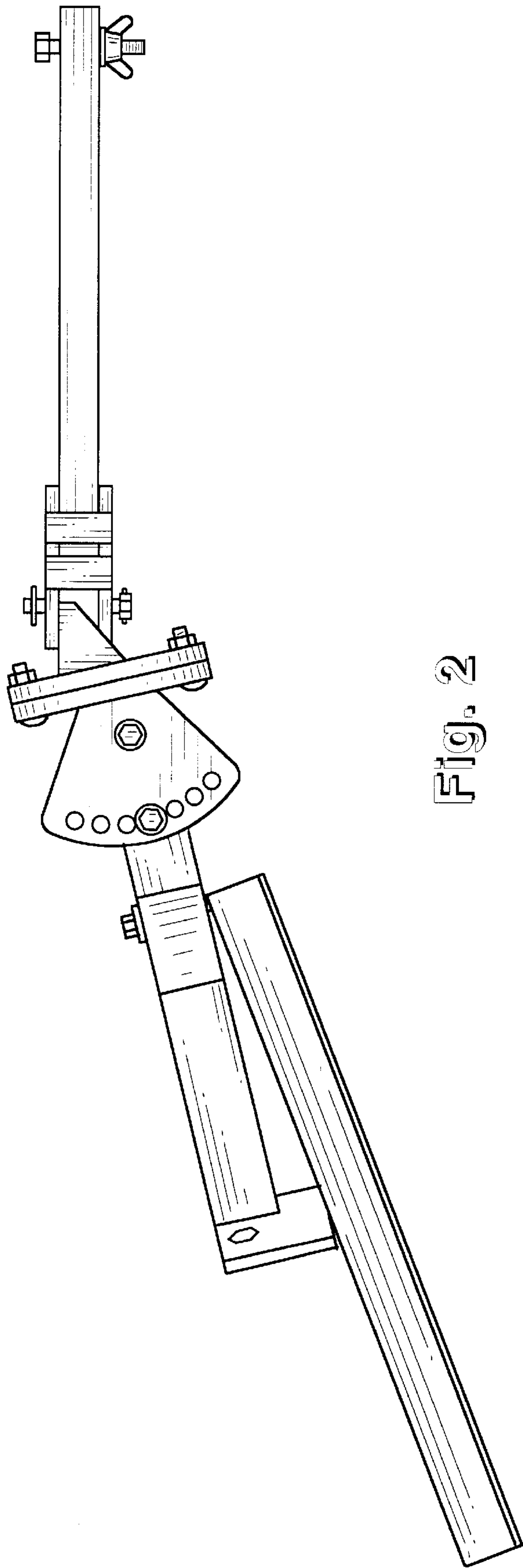


Fig. 1



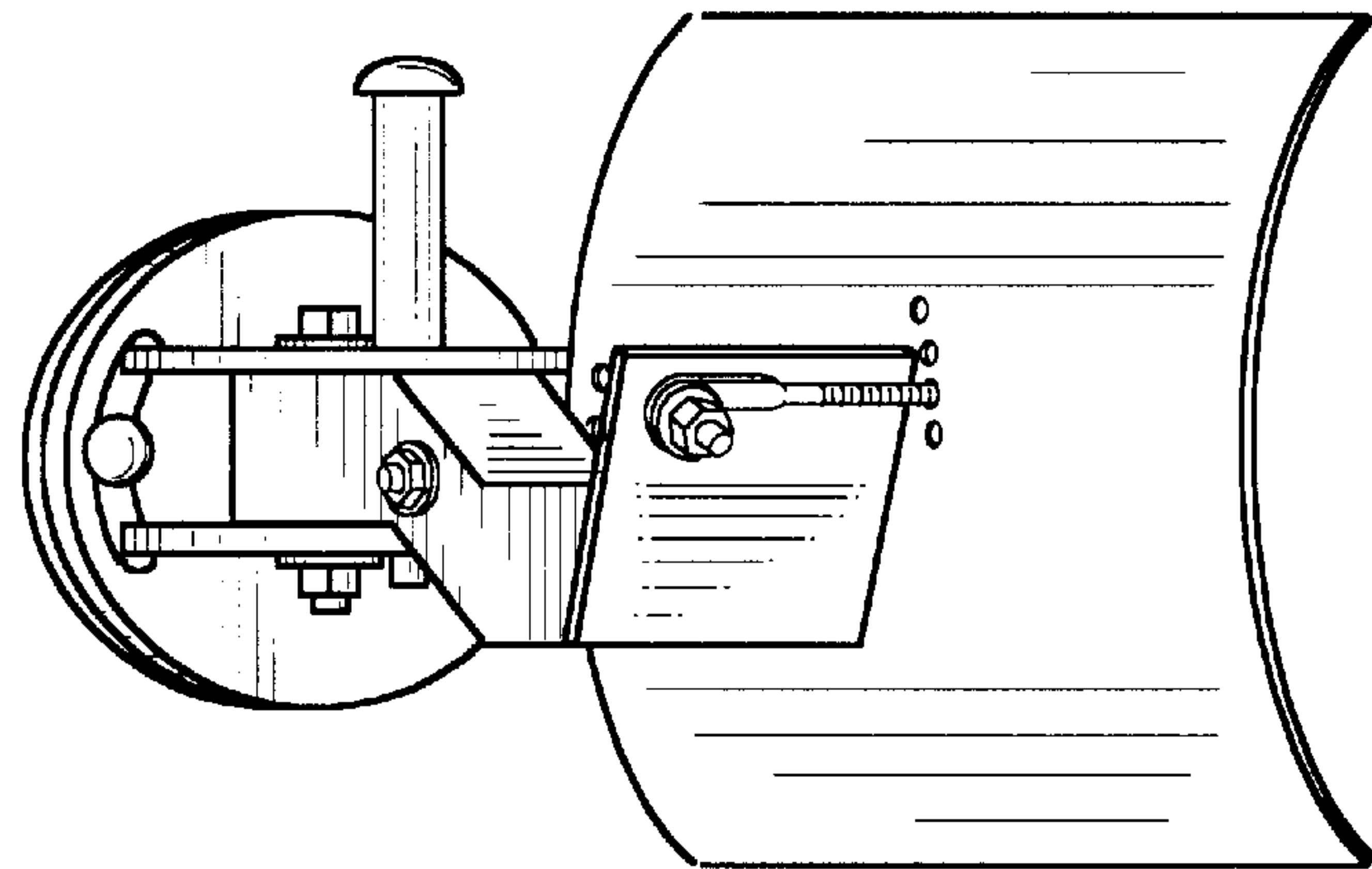


Fig. 4

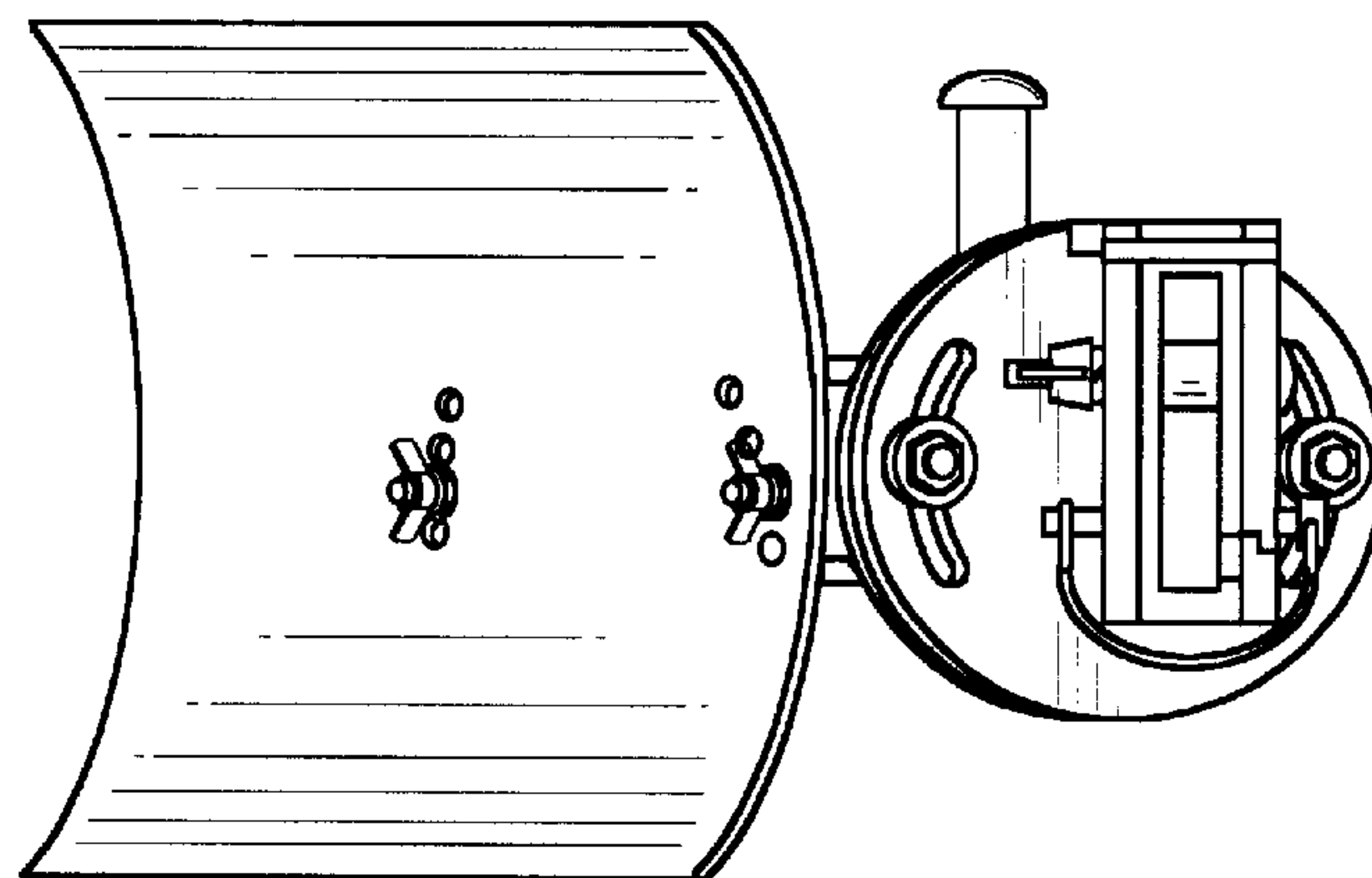


Fig. 5

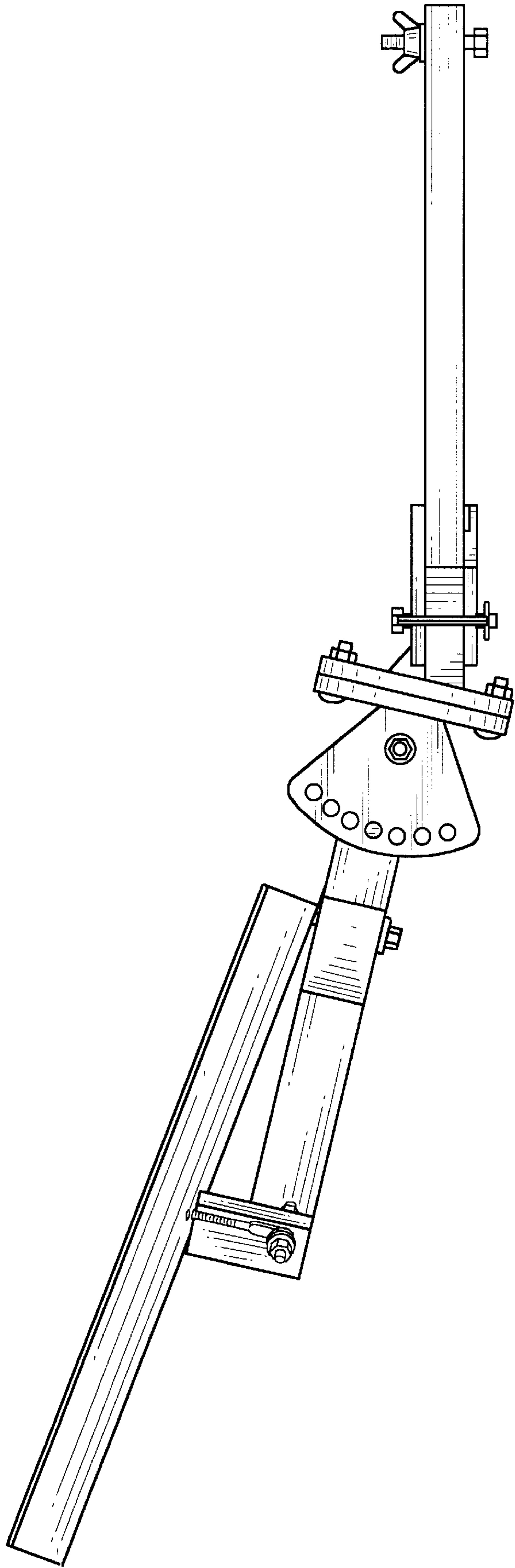


Fig. 6

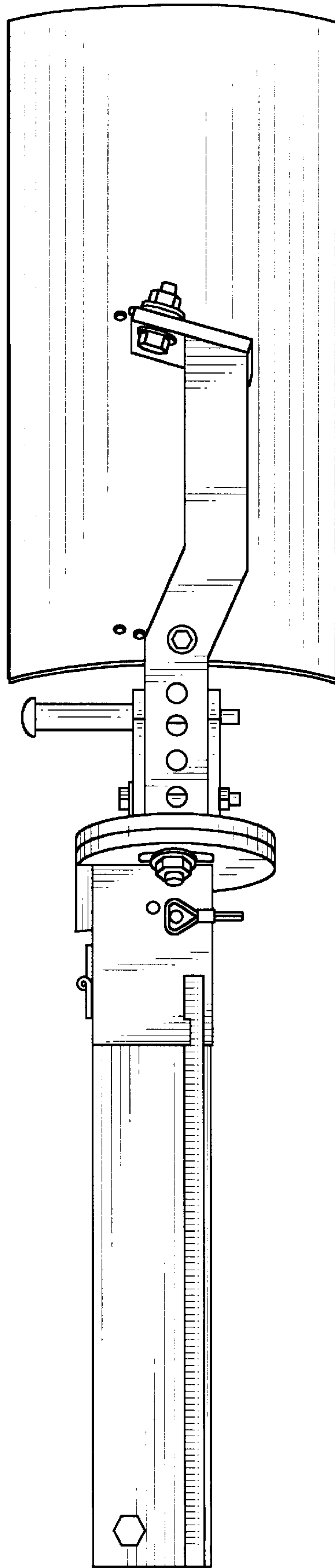


Fig. 7