



US00D395659S

United States Patent [19]

[11] **Patent Number: Des. 395,659**

Moiseve

[45] **Date of Patent: **Jun. 30, 1998**

[54] **LAWN MOWER COVER**

Primary Examiner—Sandra L. Morris
Attorney, Agent, or Firm—Brown, Martin, Haller & McClain

[76] Inventor: **Mat Moiseve**, P.O. Box 1135, Poway, Calif. 92064

[57] **CLAIM**

[**] Term: **14 Years**

The ornamental design for a lawn mower cover, as shown and described.

[21] Appl. No.: **70,513**

DESCRIPTION

[22] Filed: **May 9, 1997**

[51] **LOC (6) Cl. 15-03**

FIG. 1 is a right rear perspective view of a lawn mower cover showing my new design;

[52] **U.S. Cl. D15/17**

FIG. 2 is a left side elevational view thereof, the broken line showing of the lawn mower and collection bag is for illustrative purposes only, and forms no part of the claimed design;

[58] **Field of Search** D15/10, 14-17, D15/28, 31, 33; 3/269, 300; 56/12.8, 13.4, 13.7, 16.7, 17.5, 202, 255, 320.1, 320.2

FIG. 3 is a rear end view thereof;

[56] **References Cited**

FIG. 4 is a top plan view thereof;

U.S. PATENT DOCUMENTS

FIG. 5 is a bottom plan view thereof;

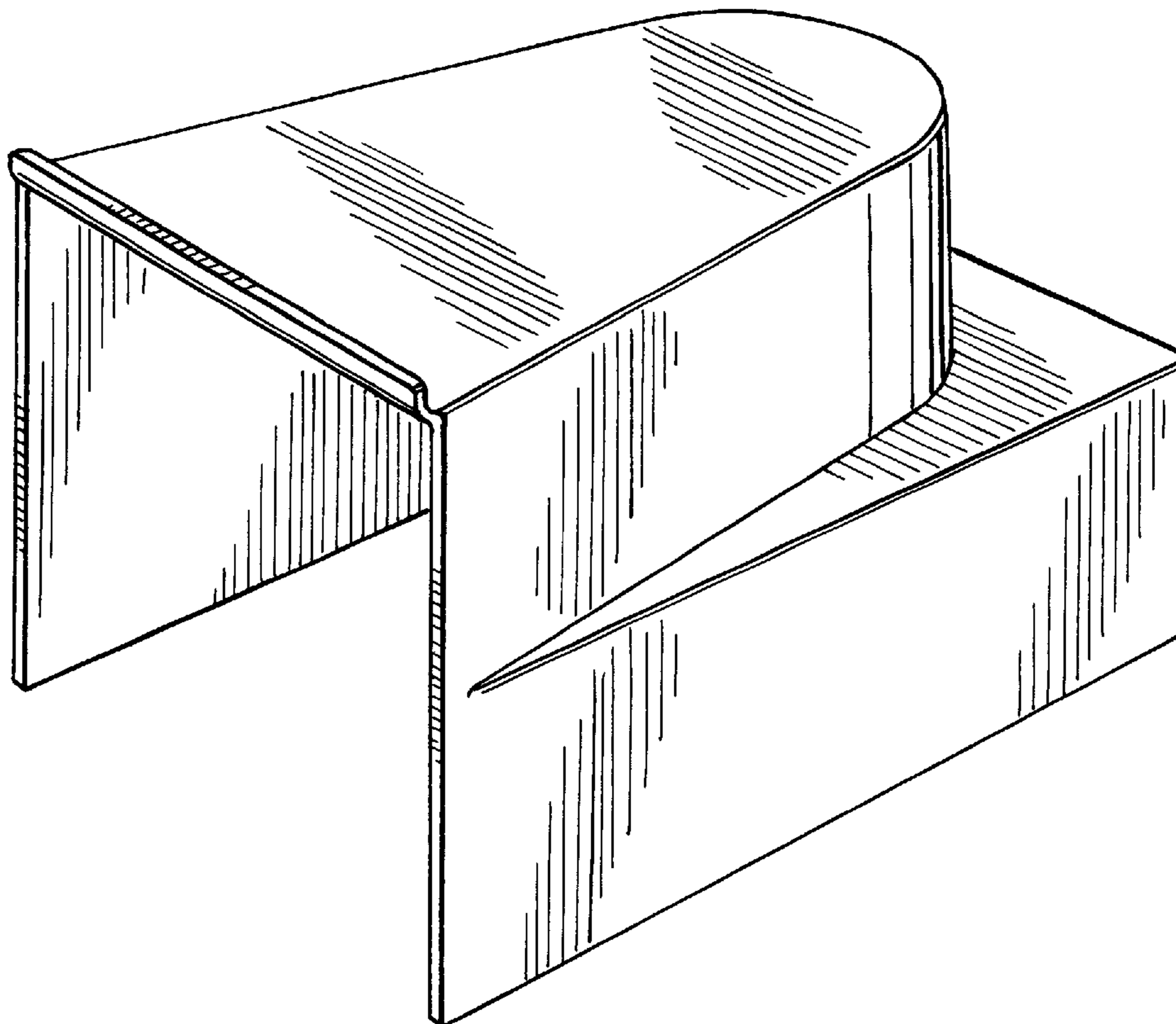
D. 260,149	8/1981	Harris	D15/17
D. 290,366	6/1987	Hoepfner et al.	D15/17
D. 318,174	7/1991	Hanson	D3/269
D. 329,652	9/1992	Killian	D15/28
4,932,194	6/1990	Allen	56/13.4

FIG. 6 is a front end view thereof;

FIG. 7 is a side elevational view of an alternative configuration with a domed top, all other features being similar; and,

FIG. 8 is a front end view of the configuration of FIG. 7.

1 Claim, 3 Drawing Sheets



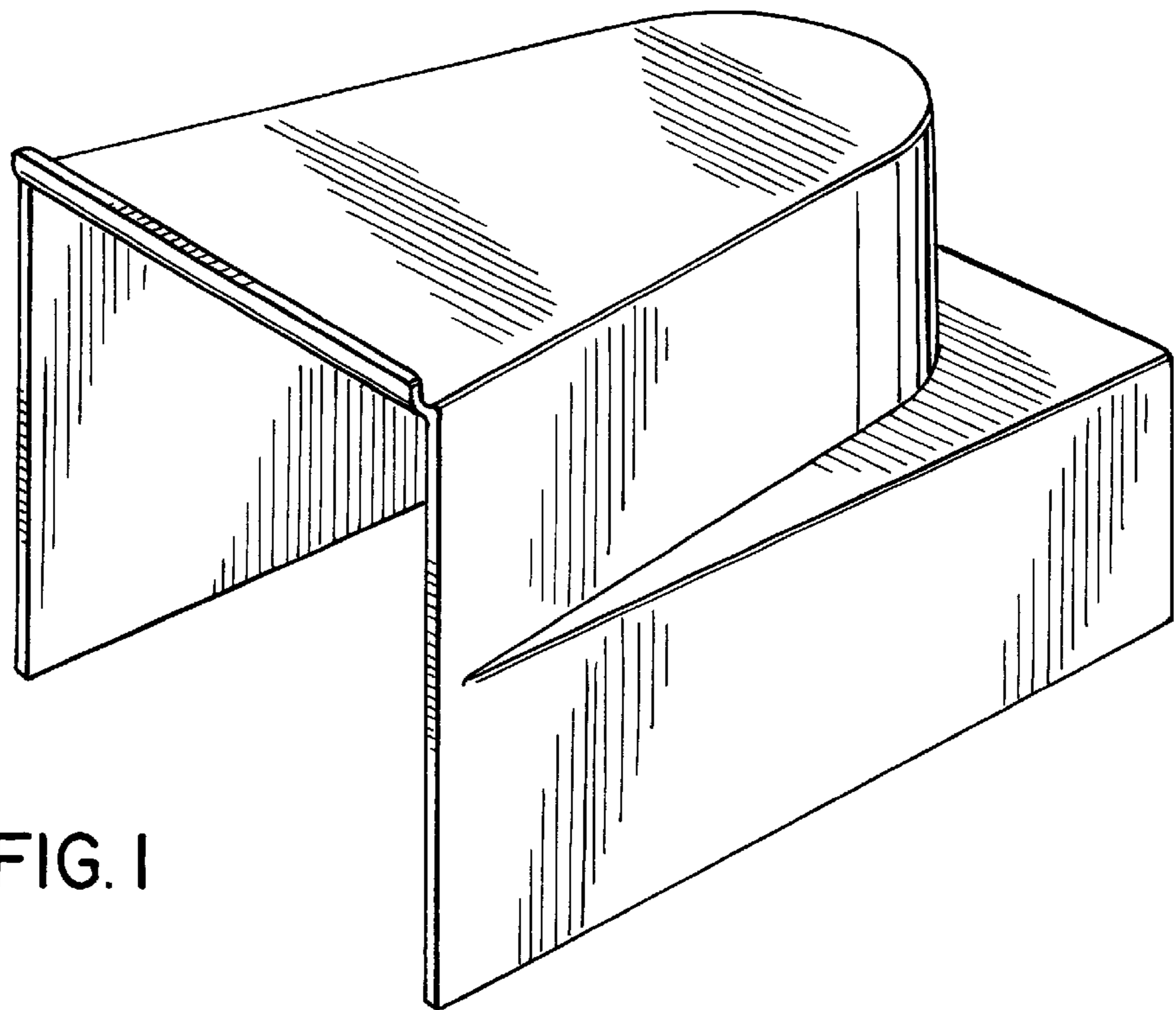


FIG. 1

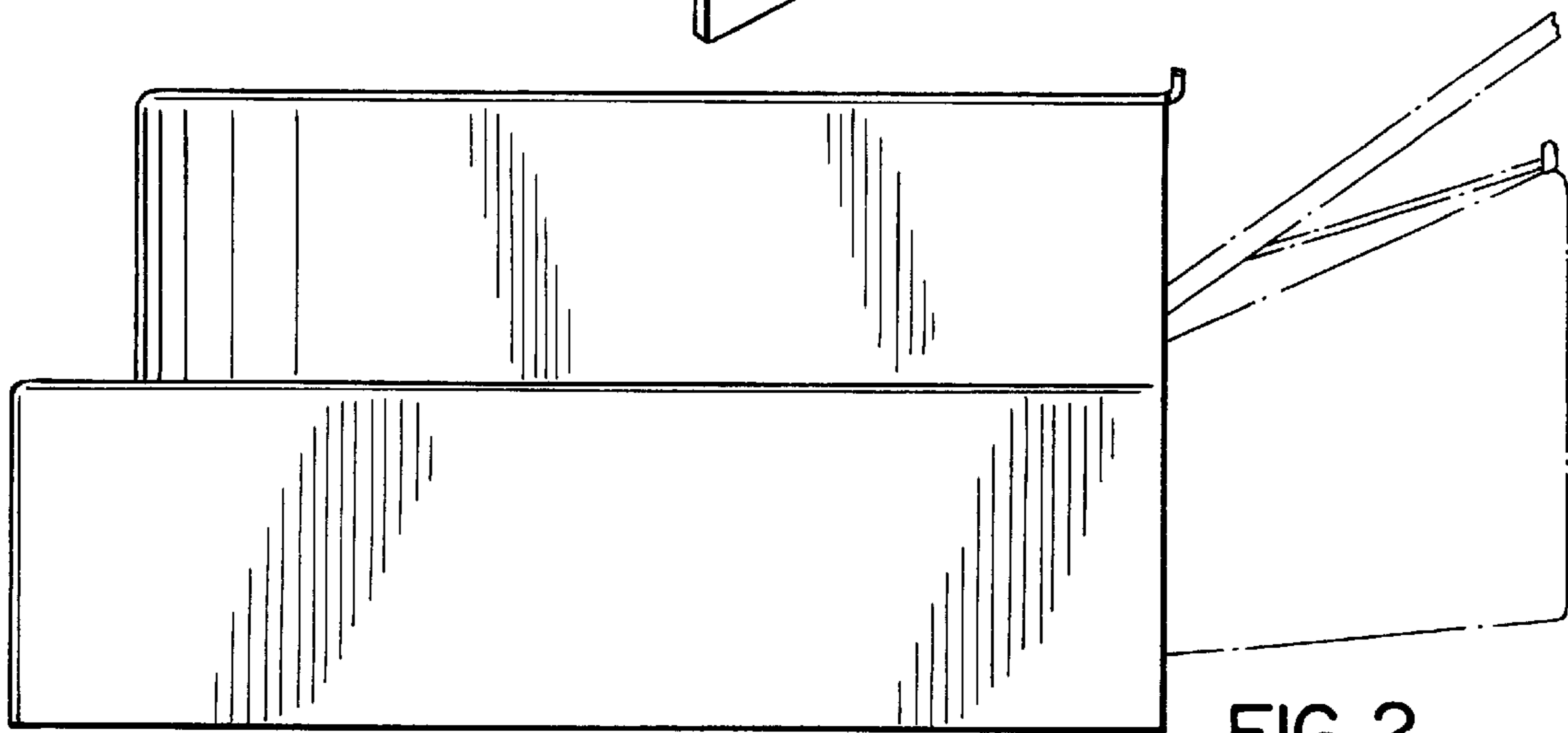


FIG. 2

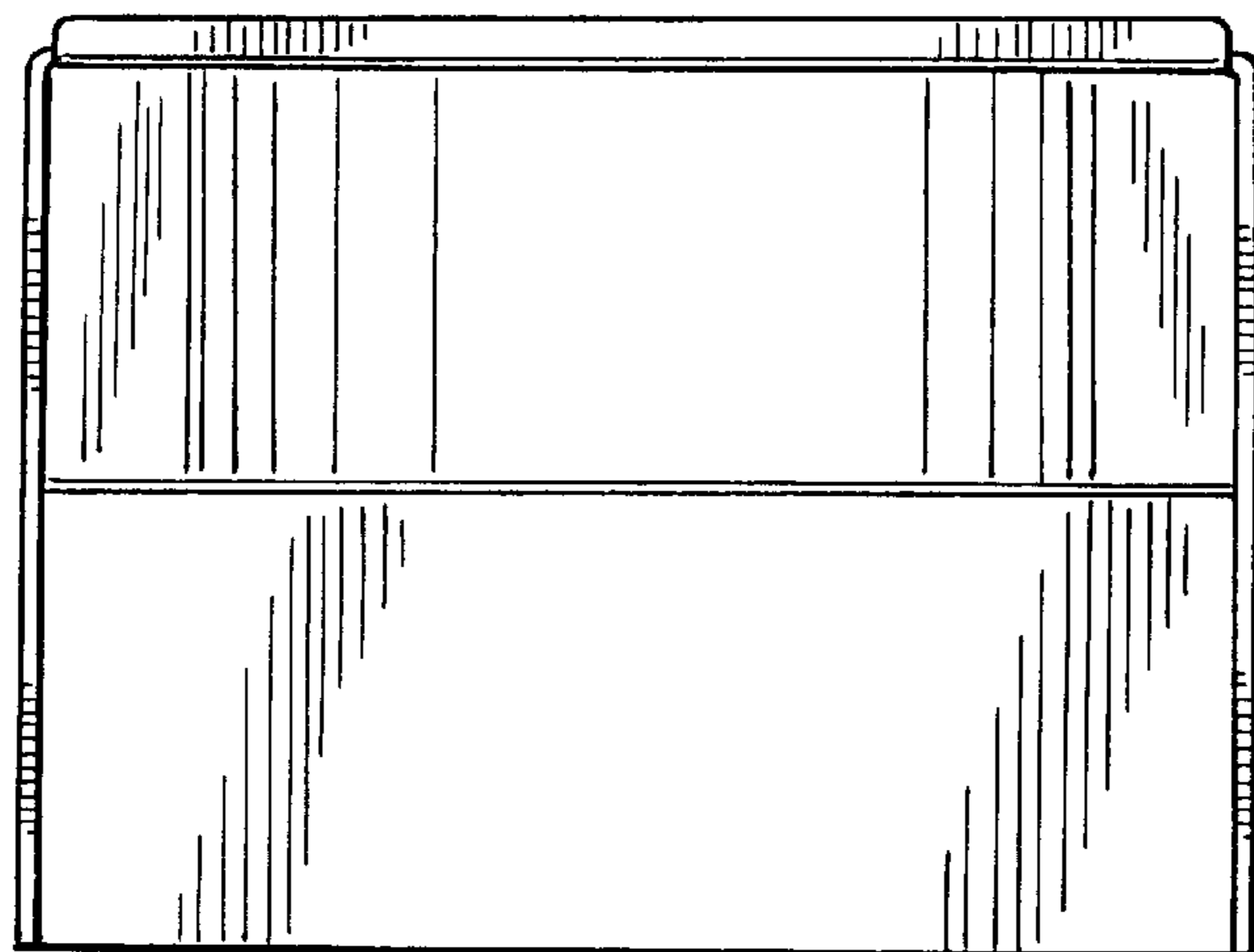


FIG. 3

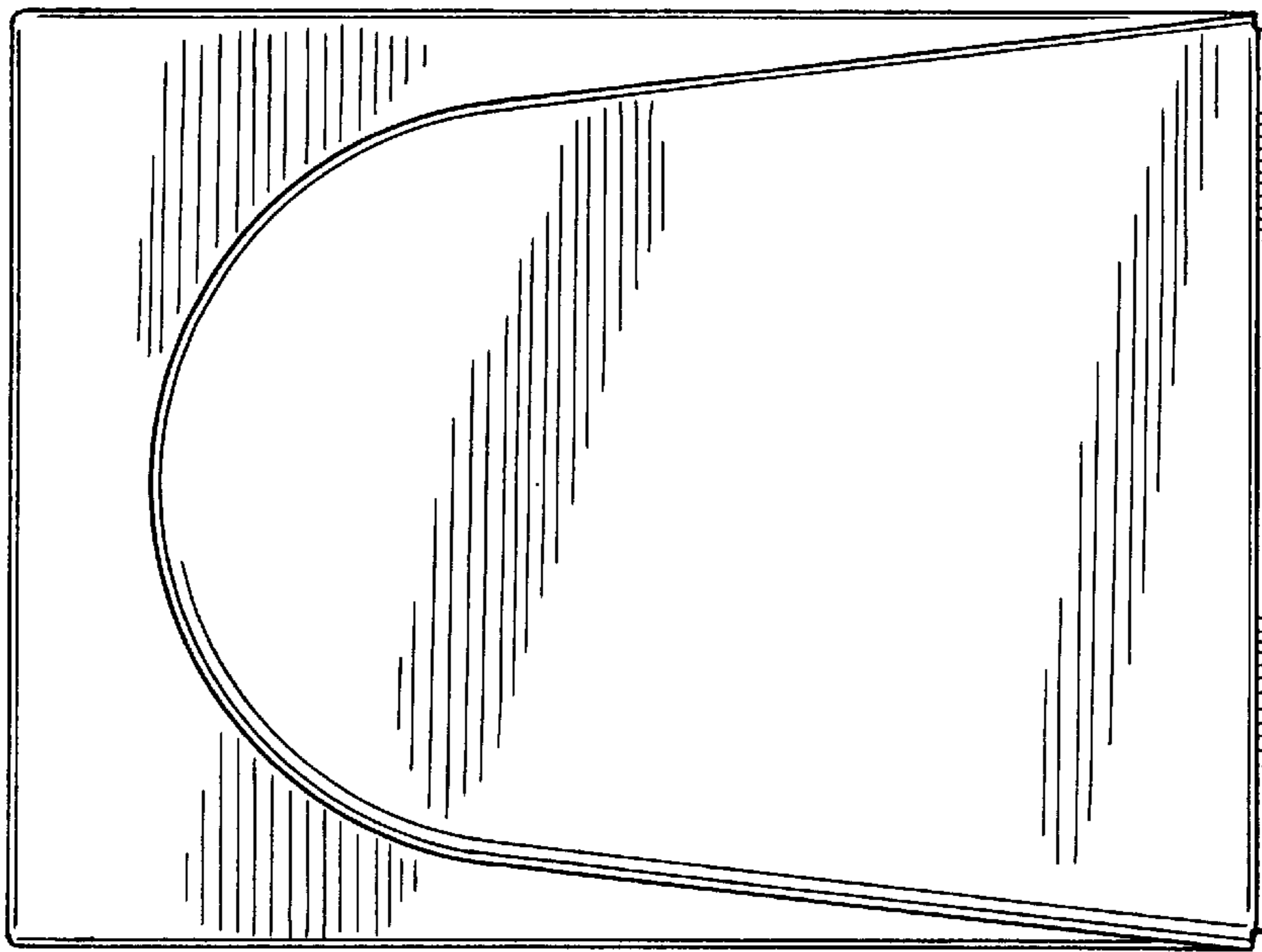


FIG. 4

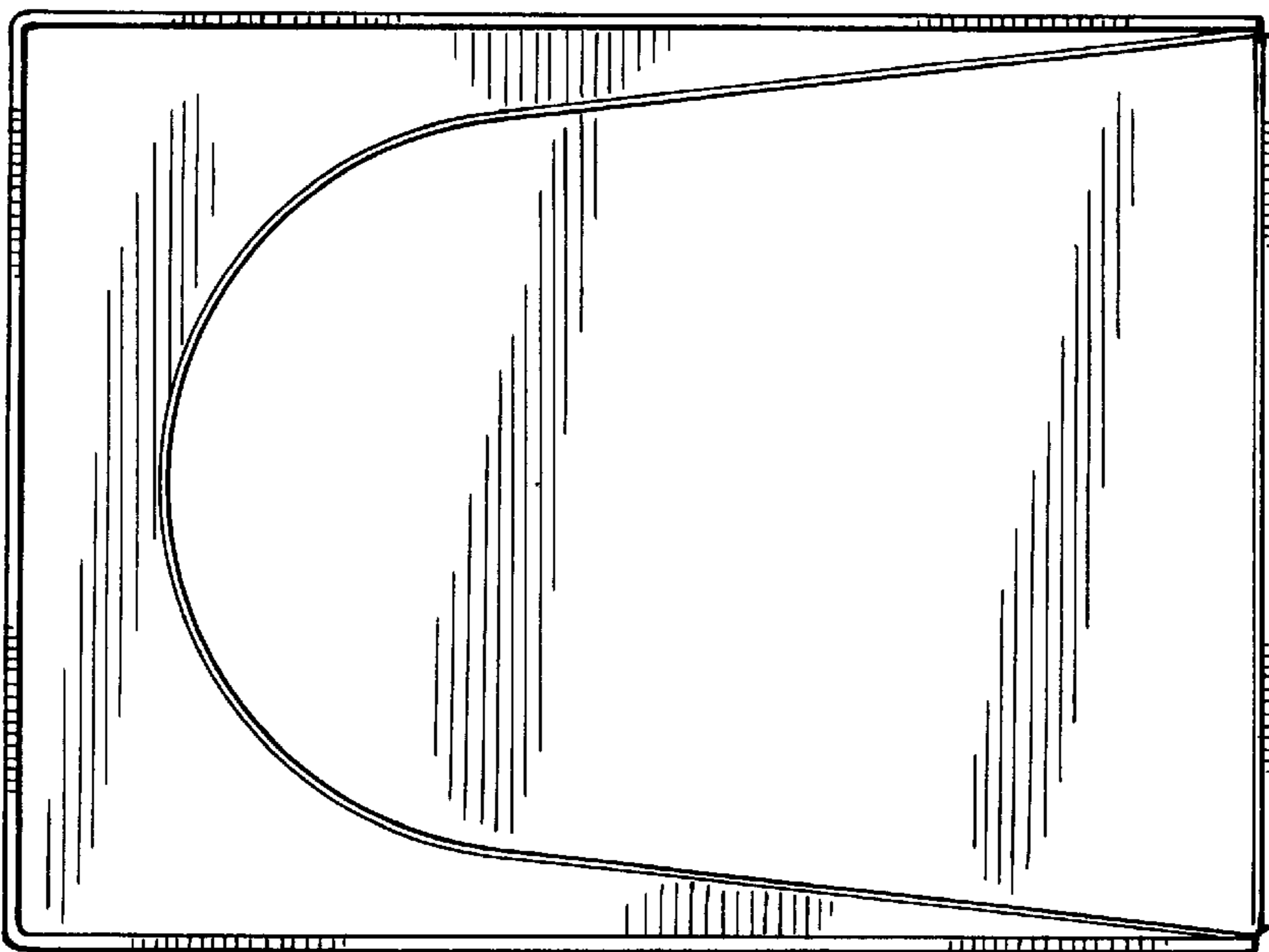


FIG. 5

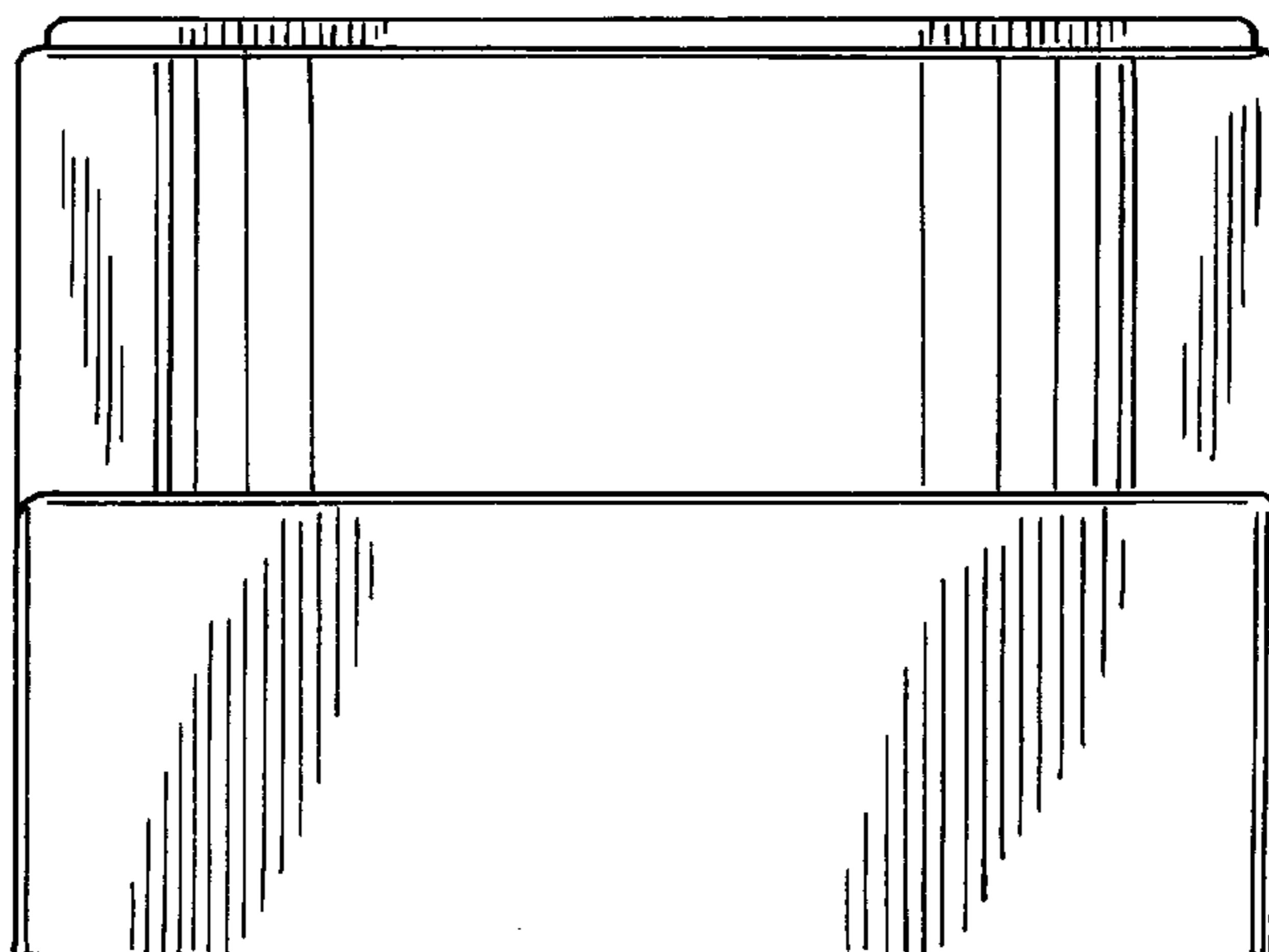


FIG. 6

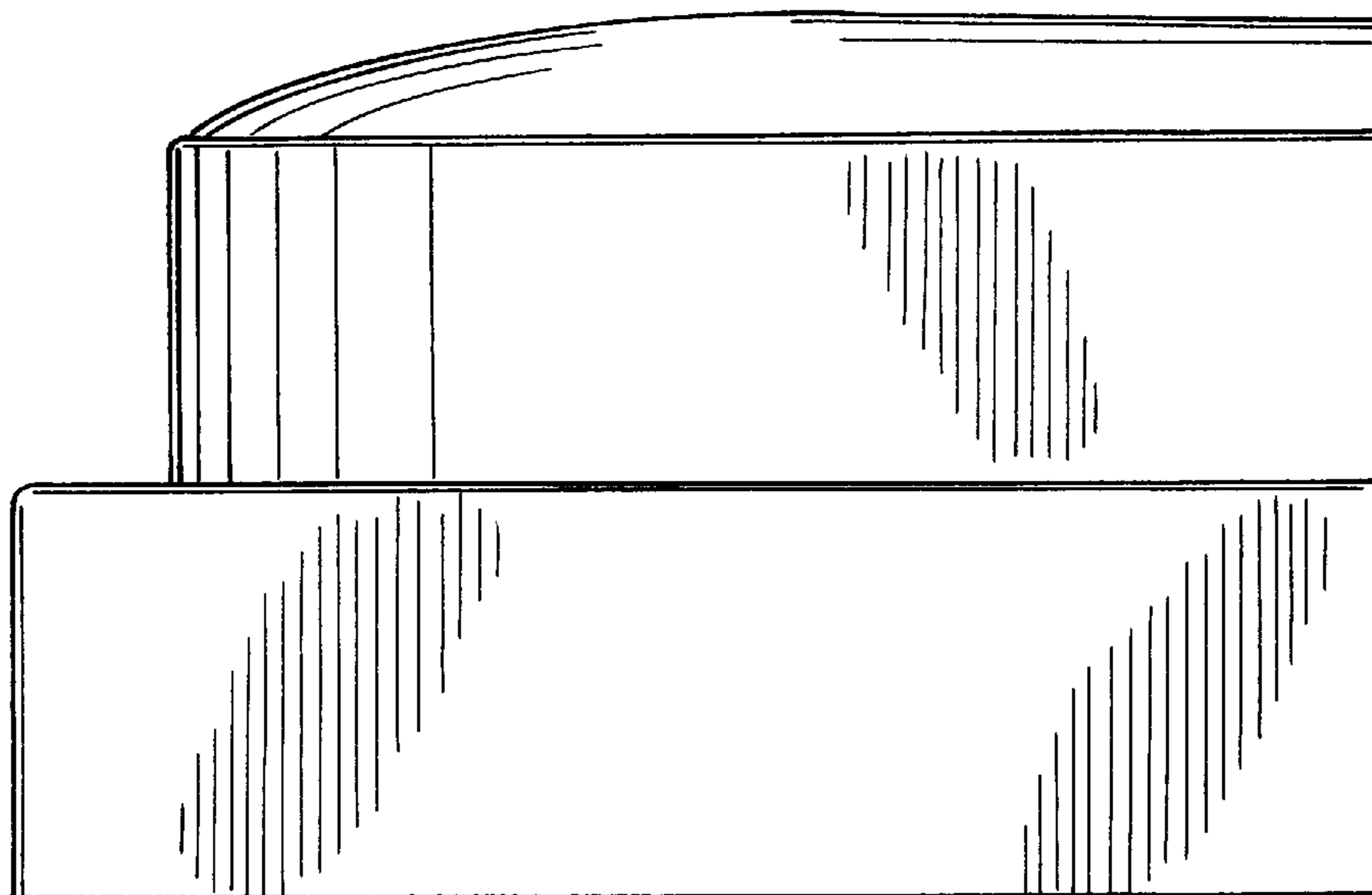


FIG. 7

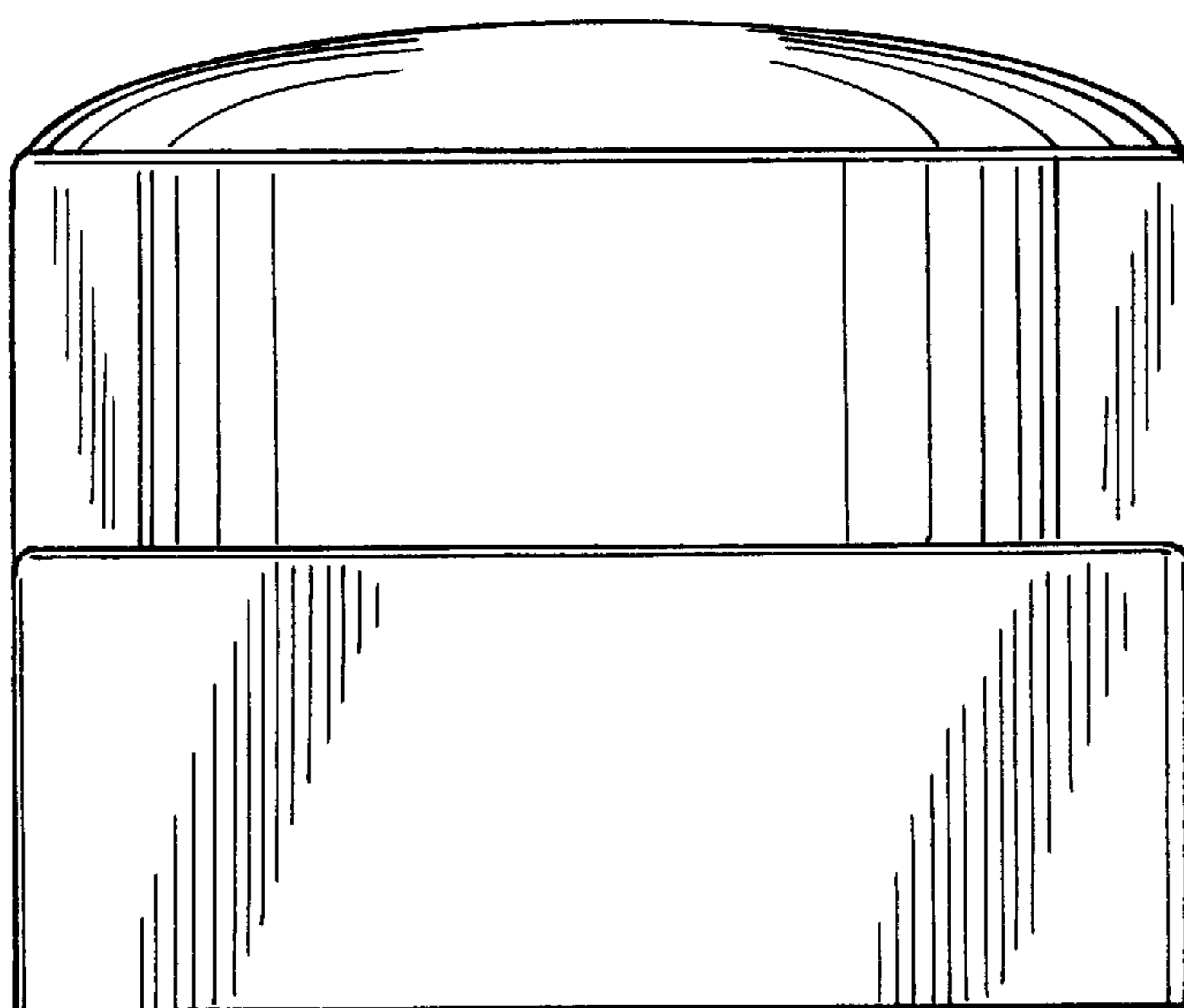


FIG. 8