



US00D395654S

United States Patent [19]

Mackie et al.

[11] Patent Number: **Des. 395,654**

[45] Date of Patent: ****Jun. 30, 1998**

[54] **POWER AMPLIFIER**

[75] Inventors: **Greg C. Mackie**, Kirkland; **Danilo O. Bonilla**, Seattle, both of Wash.

[73] Assignee: **Mackie Designs Inc.**, Woodinville, Wash.

[**] Term: **14 Years**

[21] Appl. No.: **62,128**

[22] Filed: **Nov. 7, 1996**

[51] **LOC (6) Cl.** **14-03**

[52] **U.S. Cl.** **D14/188**

[58] **Field of Search** D14/124, 137, D14/155, 157, 160-162, 164, 168-169, 188-189, 193-198, 217, 257, 258, 265, 299; 312/7.1; 455/334, 337, 350, 351

[56] **References Cited**

U.S. PATENT DOCUMENTS

- D. 260,645 9/1981 Kikuhara D14/157
- D. 262,537 1/1982 Kikuhara D14/188
- D. 266,418 10/1982 Kikuhara D14/157

- D. 338,671 8/1993 Ito et al. D14/160
- D. 368,261 3/1996 Shushurin D14/188

OTHER PUBLICATIONS

Audio Advisor, Fall 1995 sale catalog #2, p. 114, CT-23 Remote-Controlled Preamplifier/Tuner.

Primary Examiner—Ted Shooman
Assistant Examiner—Nanda Bondade
Attorney, Agent, or Firm—Weiss Jensen Ellis & Howard

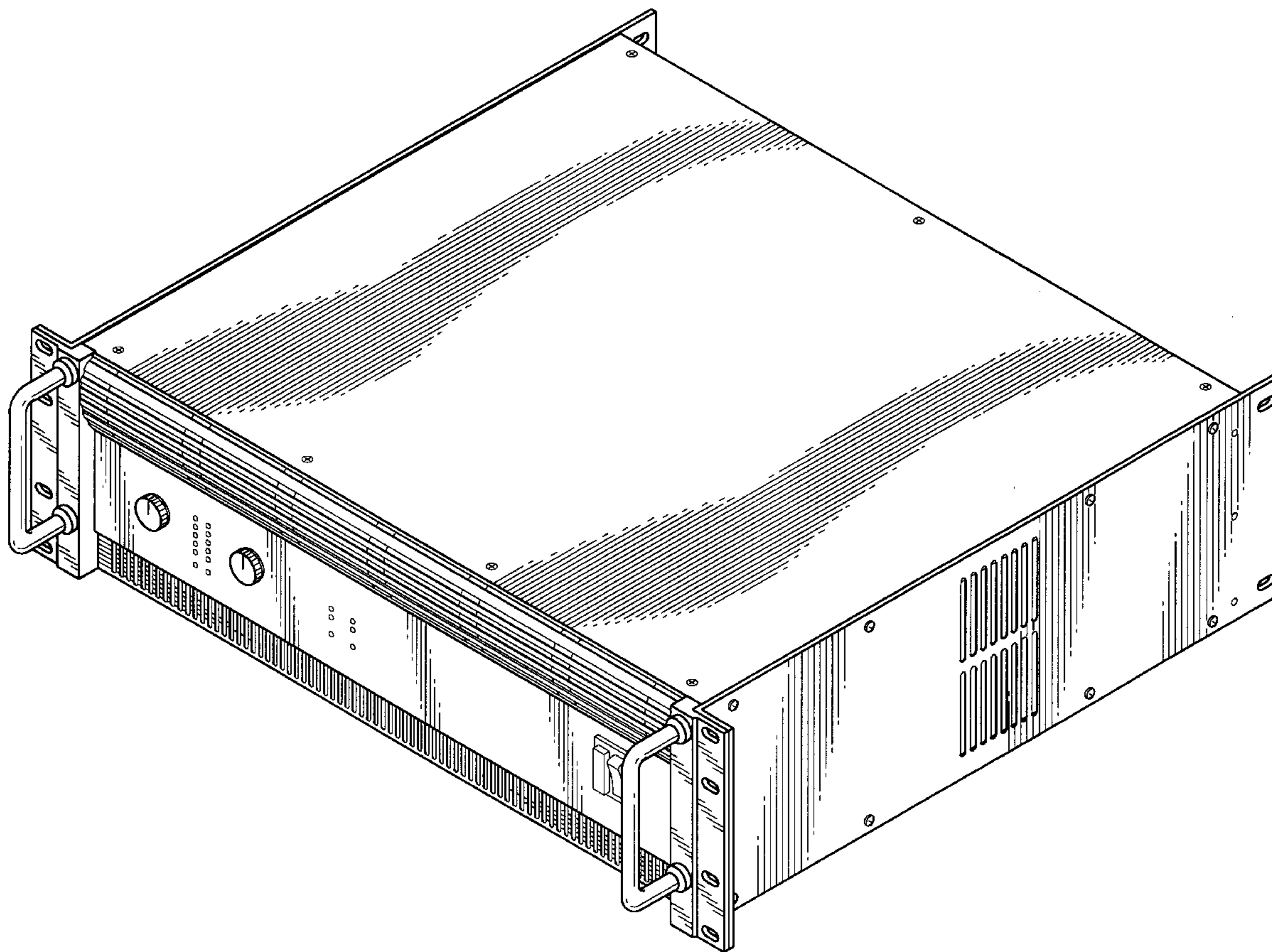
[57] **CLAIM**

The ornamental design for a power amplifier, as shown and described.

DESCRIPTION

FIG. 1 is a perspective view of a power amplifier showing our new design;
FIG. 2 is a front elevation view thereof;
FIG. 3 is a rear elevation view thereof;
FIG. 4 is a right side elevation view thereof;
FIG. 5 is a left side elevation view thereof;
FIG. 6 is a top plan view thereof; and,
FIG. 7 is a bottom plan view thereof.

1 Claim, 4 Drawing Sheets



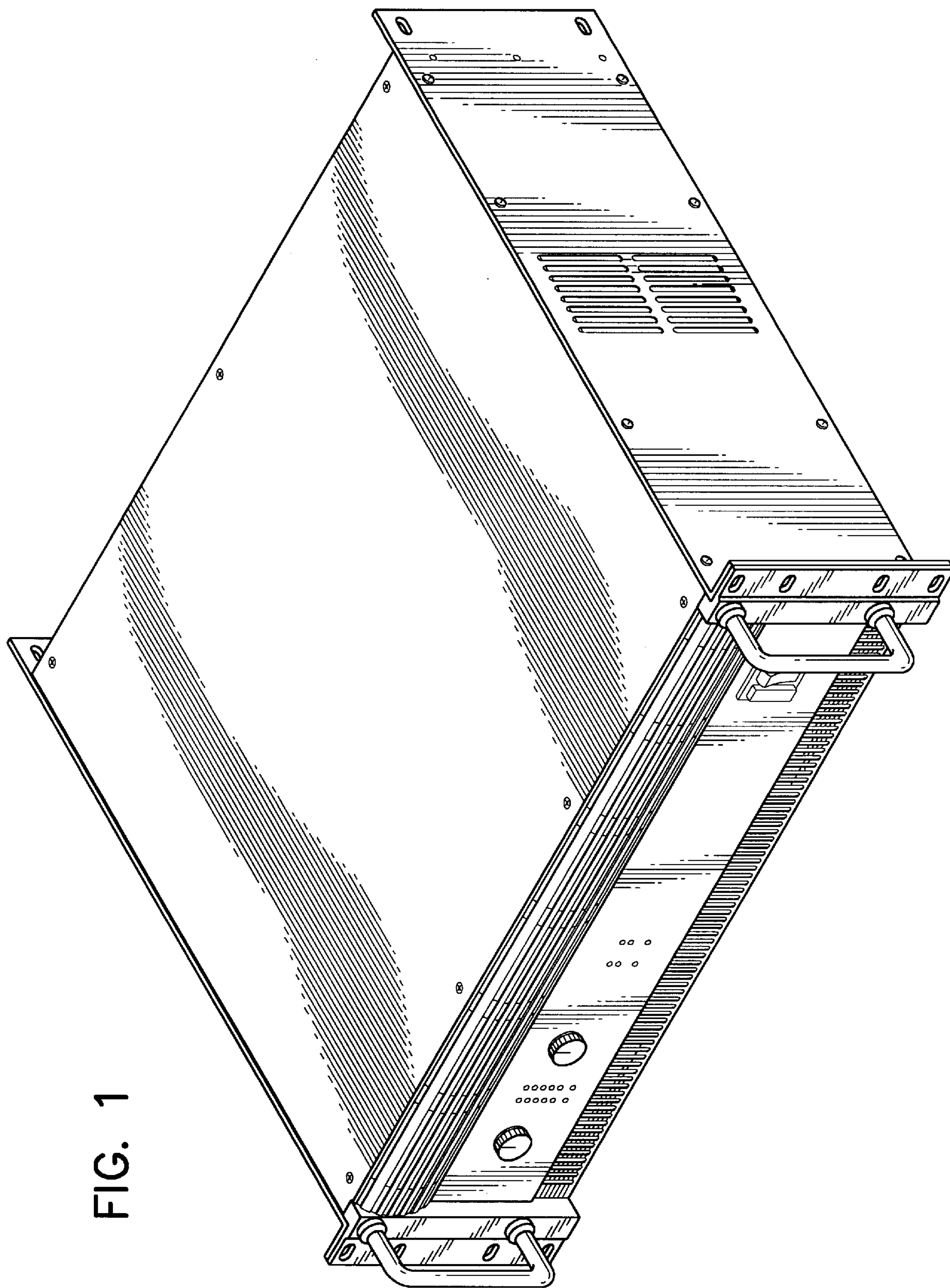


FIG. 1

FIG. 2

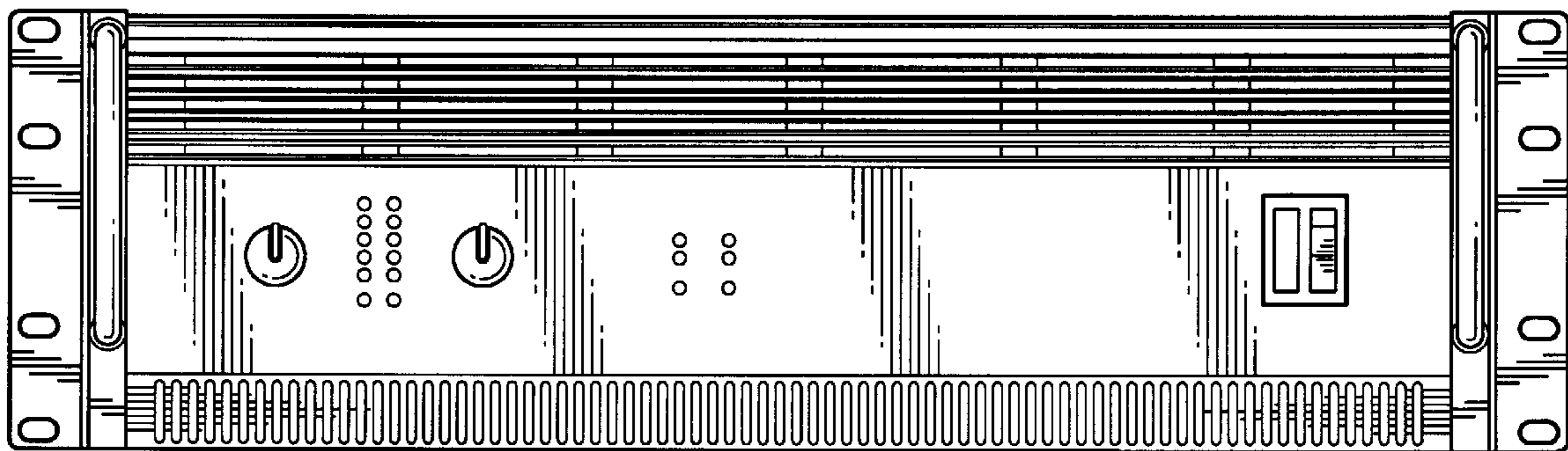


FIG. 3

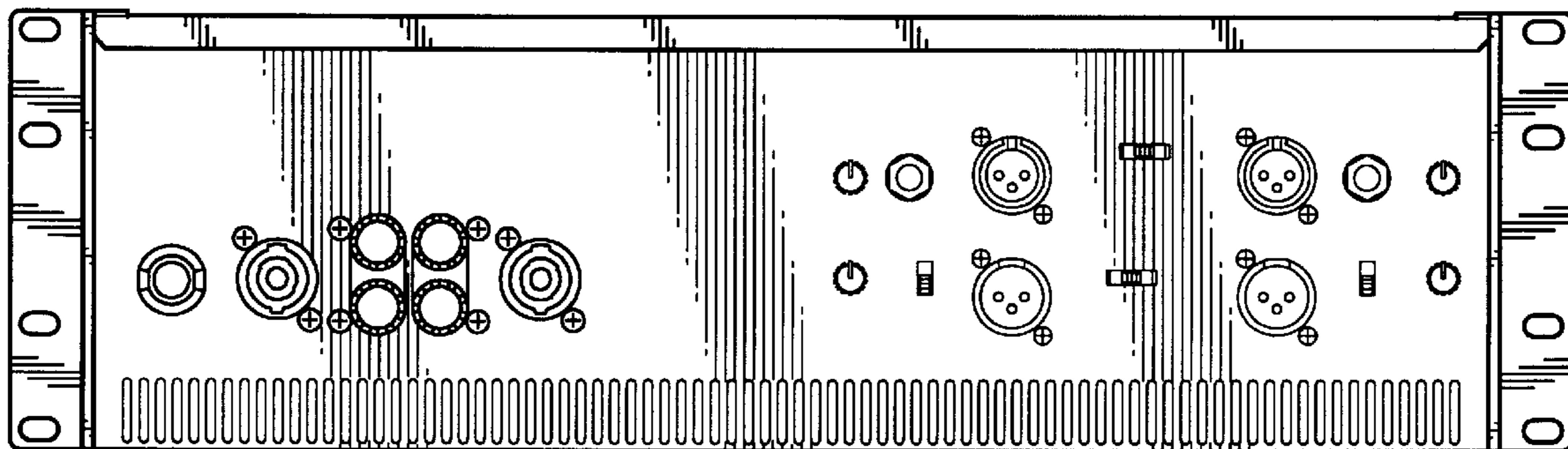


FIG. 4

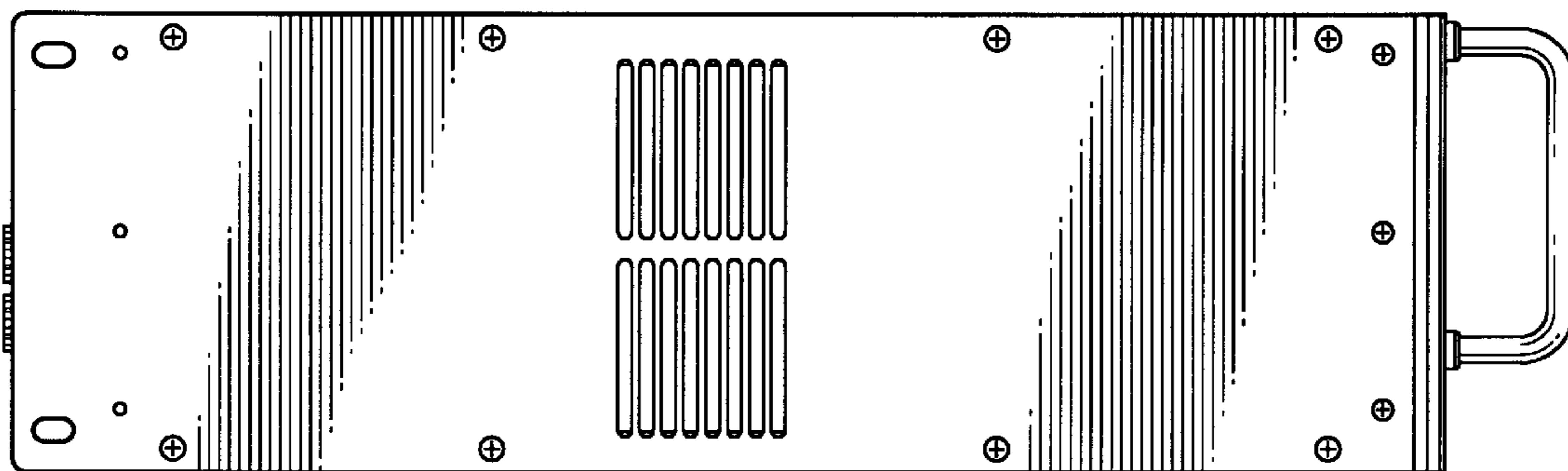


FIG. 5

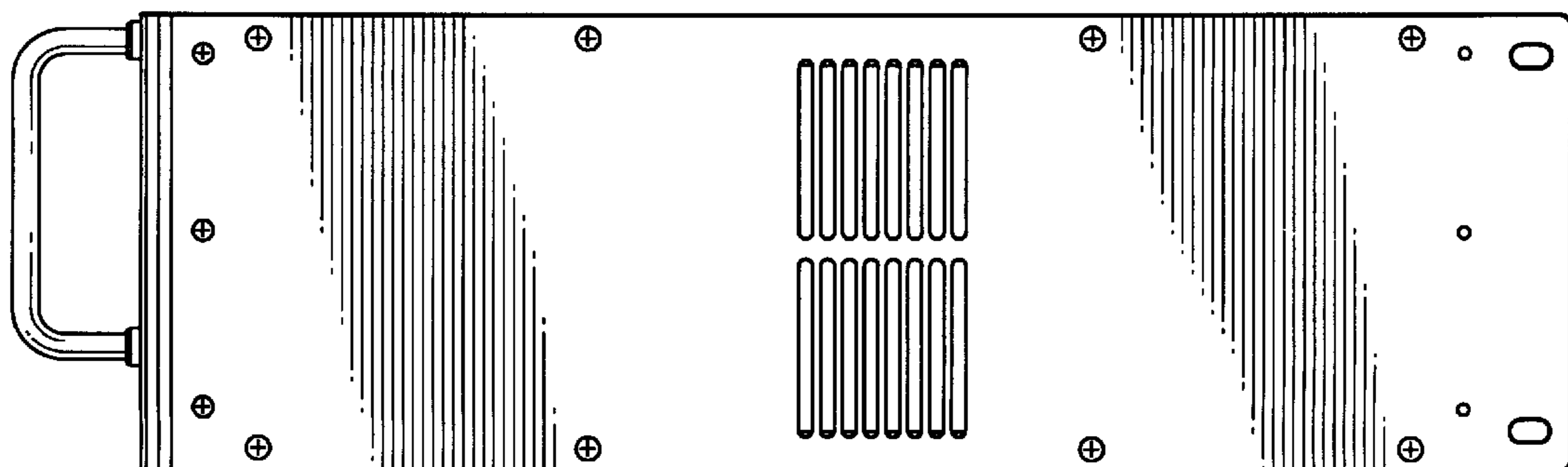


FIG. 6

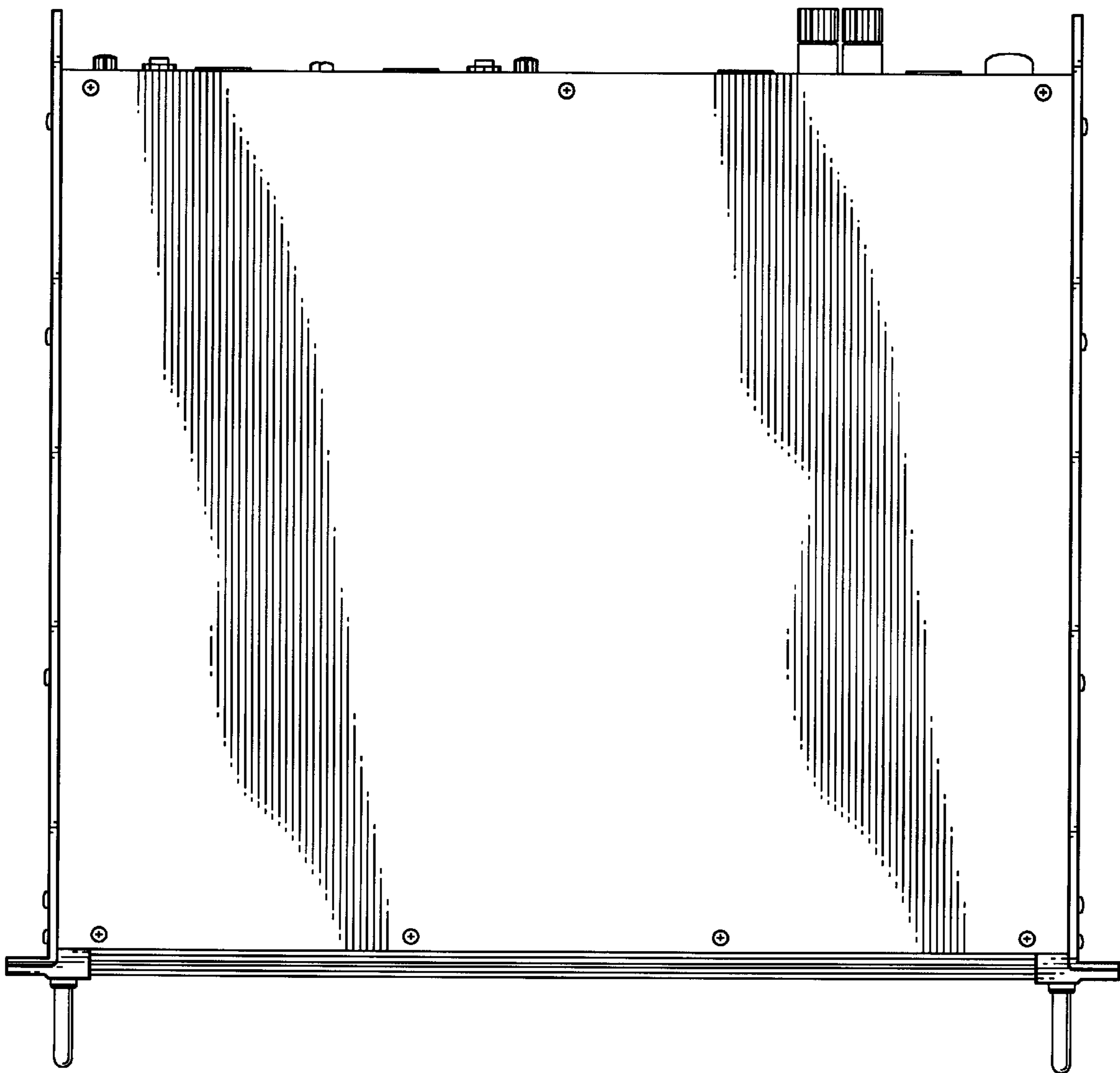


FIG. 7

