



US00D395640S

United States Patent [19]

[11] **Patent Number: Des. 395,640**

Goodman et al.

[45] **Date of Patent: **Jun. 30, 1998**

[54] **HOLDER FOR PORTABLE COMPUTING DEVICE**

[75] Inventors: **Walter Adrian Goodman**, Binghamton, N.Y.; **Frank Vincent Grebe**, Racine, Wis.; **Charles Raymond Hatton**, Endicott, N.Y.; **David John Podmajersky**, Johnson City, N.Y.; **John Henry Sherman**, Glen Aubrey, N.Y.; **Paul Andrew Wormsbecher**, Endwell, N.Y.

[73] Assignee: **International Business Machines Corporation**, Armonk, N.Y.

[**] Term: **14 Years**

[21] Appl. No.: **48,513**

[22] Filed: **Jan. 2, 1996**

Related U.S. Application Data

[62] Division of Ser. No. 28,204, Sep. 9, 1994.

[51] **LOC (6) Cl.** **14-02**

[52] **U.S. Cl.** **D14/114**

[58] **Field of Search** D14/100, 114; D6/449, 491, 445, 396, 512, 495; 248/125, 127, 133, 178-179, 183, 188.1, 188.2, 346.01, 371, 917-924; 200/5 R, 5 A, 6 R, 6 A; 361/679-685; D13/184, 199

[56] **References Cited**

U.S. PATENT DOCUMENTS

D. 305,330 1/1990 Walters et al. D14/114

D. 314,567 2/1991 Ichitsobo D14/114
D. 323,085 1/1992 Konkel D14/114 X
D. 334,924 4/1993 Crawford et al. D14/114 X
D. 345,969 4/1994 McKnight et al. D14/114
D. 358,144 5/1995 Masaaki D14/114
D. 361,990 9/1995 Merino D14/114
D. 362,243 9/1995 Spechts et al. D14/114

Primary Examiner—M. H. Tung
Attorney, Agent, or Firm—Lawrence R. Fraley

[57] **CLAIM**

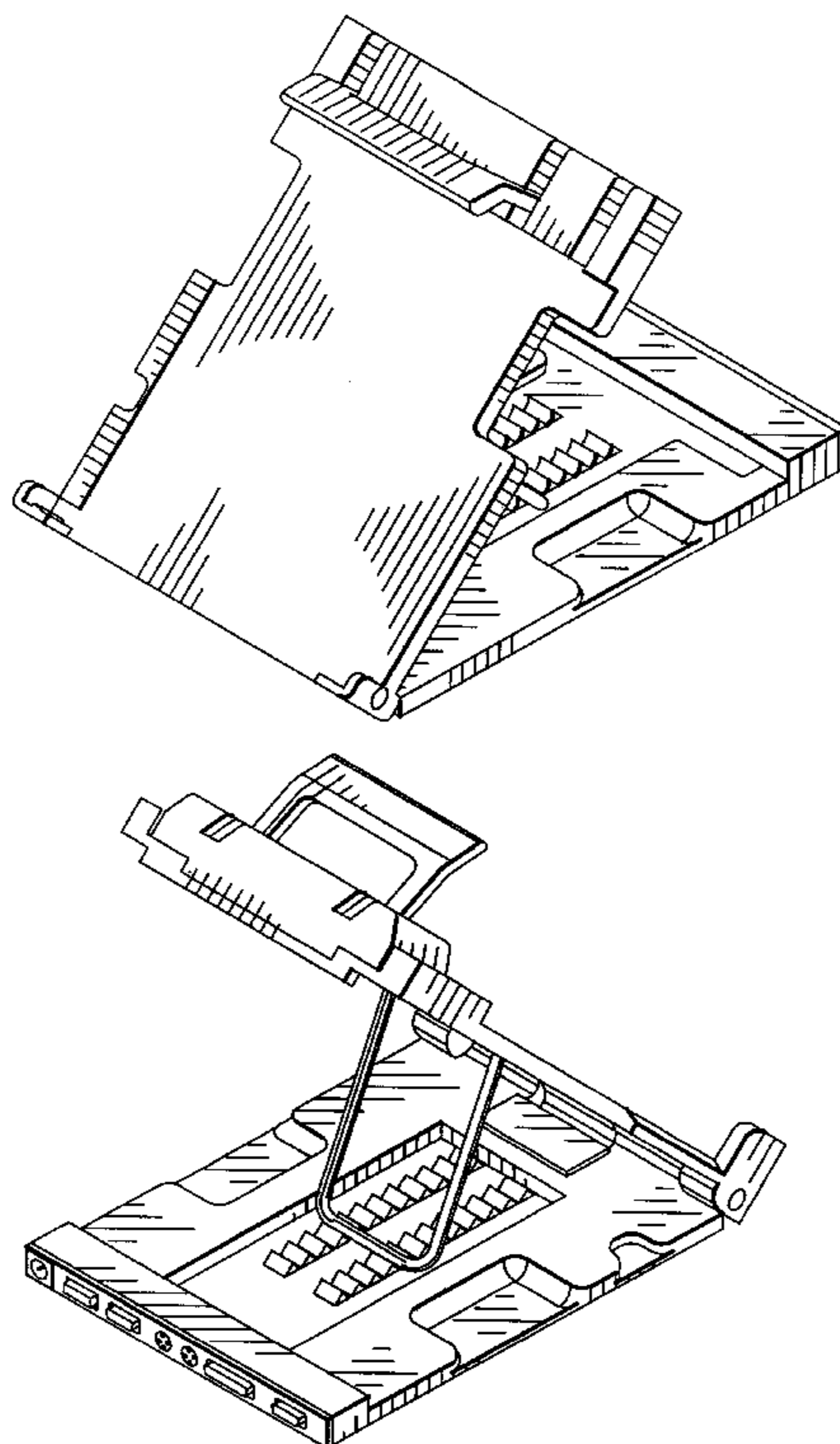
The ornamental design for a holder for portable computing device, as shown and described.

DESCRIPTION

FIG. 1 is a rear perspective view of a holder for a portable computing device, in accordance with our new design; FIG. 2 is a top plan view thereof; FIG. 3 is a side elevational view thereof; FIG. 4 is a rear elevational view thereof; FIG. 5 is a front elevational view thereof; FIG. 6 is a bottom plan view thereof; FIG. 7 is a rear perspective view thereof, showing this embodiment of the invention in a partially open position; FIG. 8 is a front perspective thereof, showing the invention in a partially open position; and, FIG. 10 is a front elevational view showing the invention in a partially open position.

The holder for a portable computing device as shown herein is adapted for use in a fully closed position as in FIG. 1 or in a fully open position. One example of a partially open position is illustrated in FIGS. 7 and 8.

1 Claim, 4 Drawing Sheets



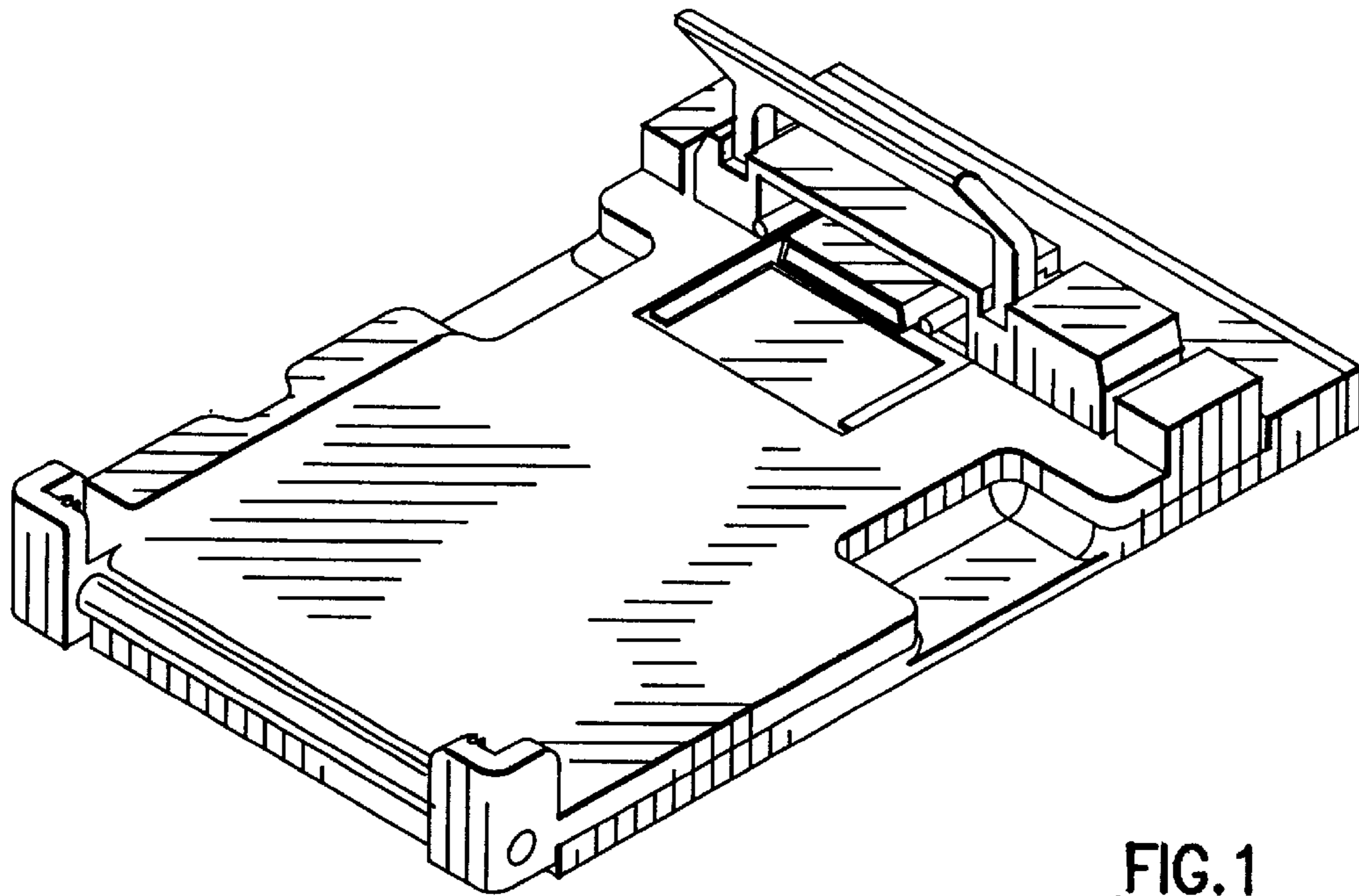


FIG. 1

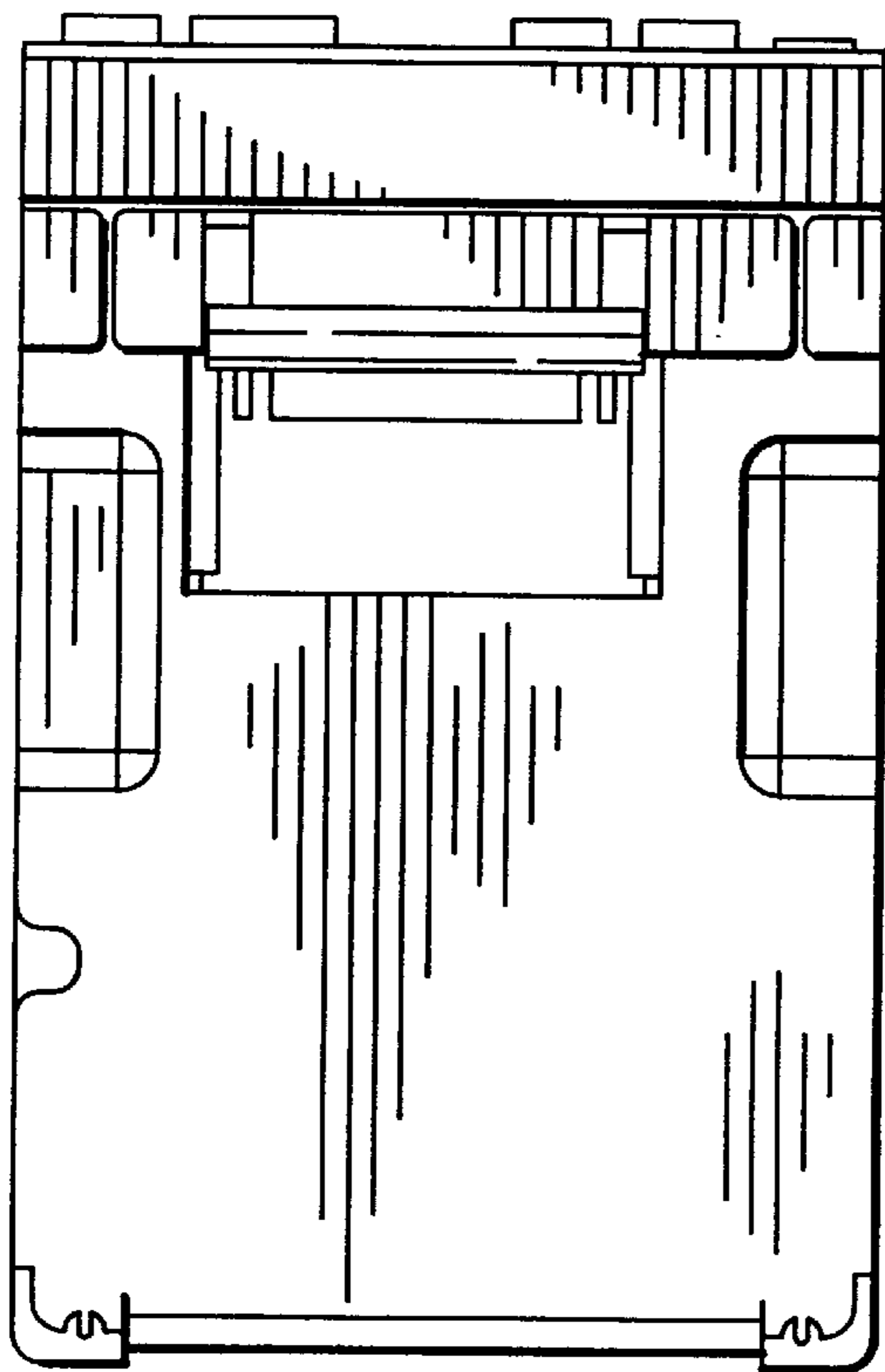


FIG. 2

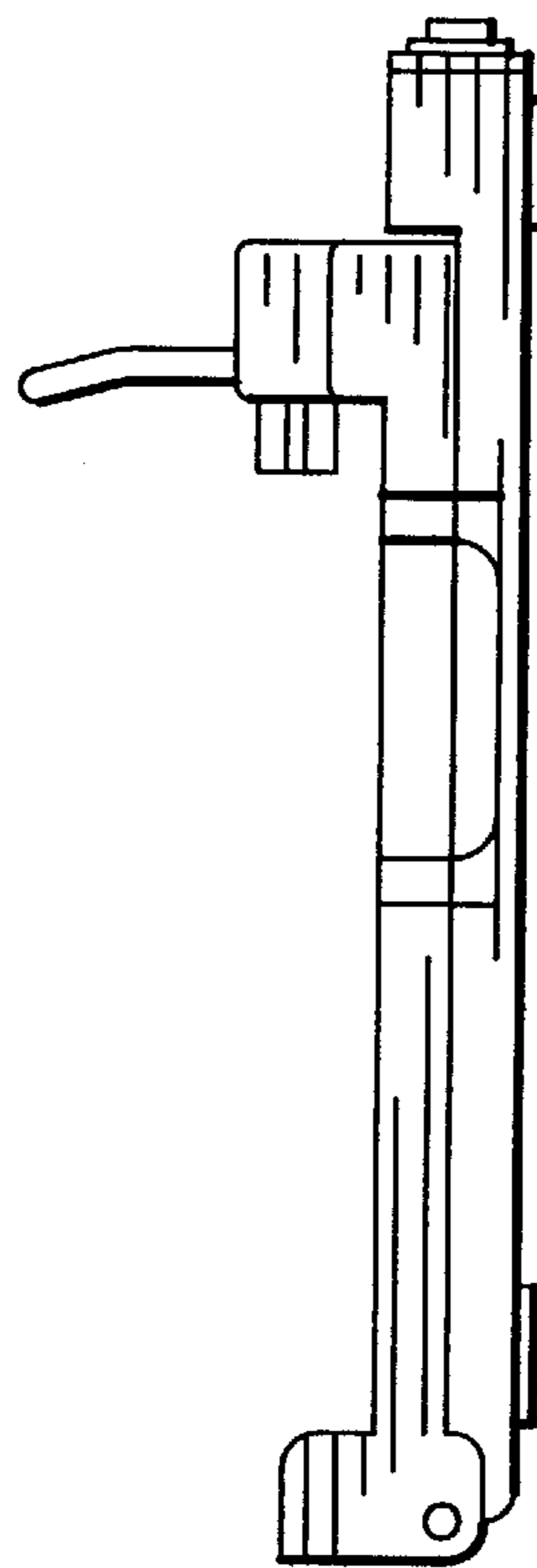


FIG. 3

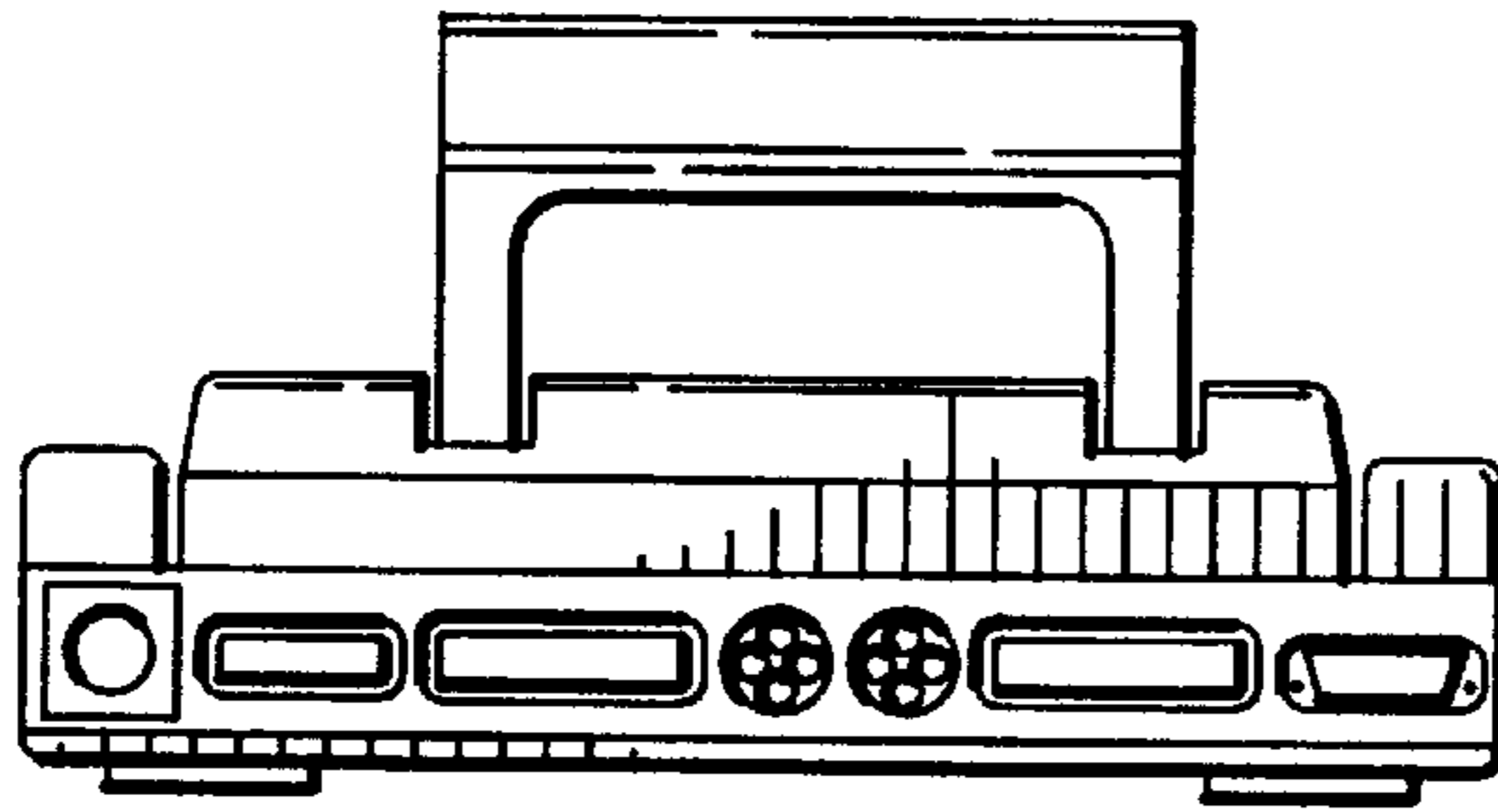


FIG. 5

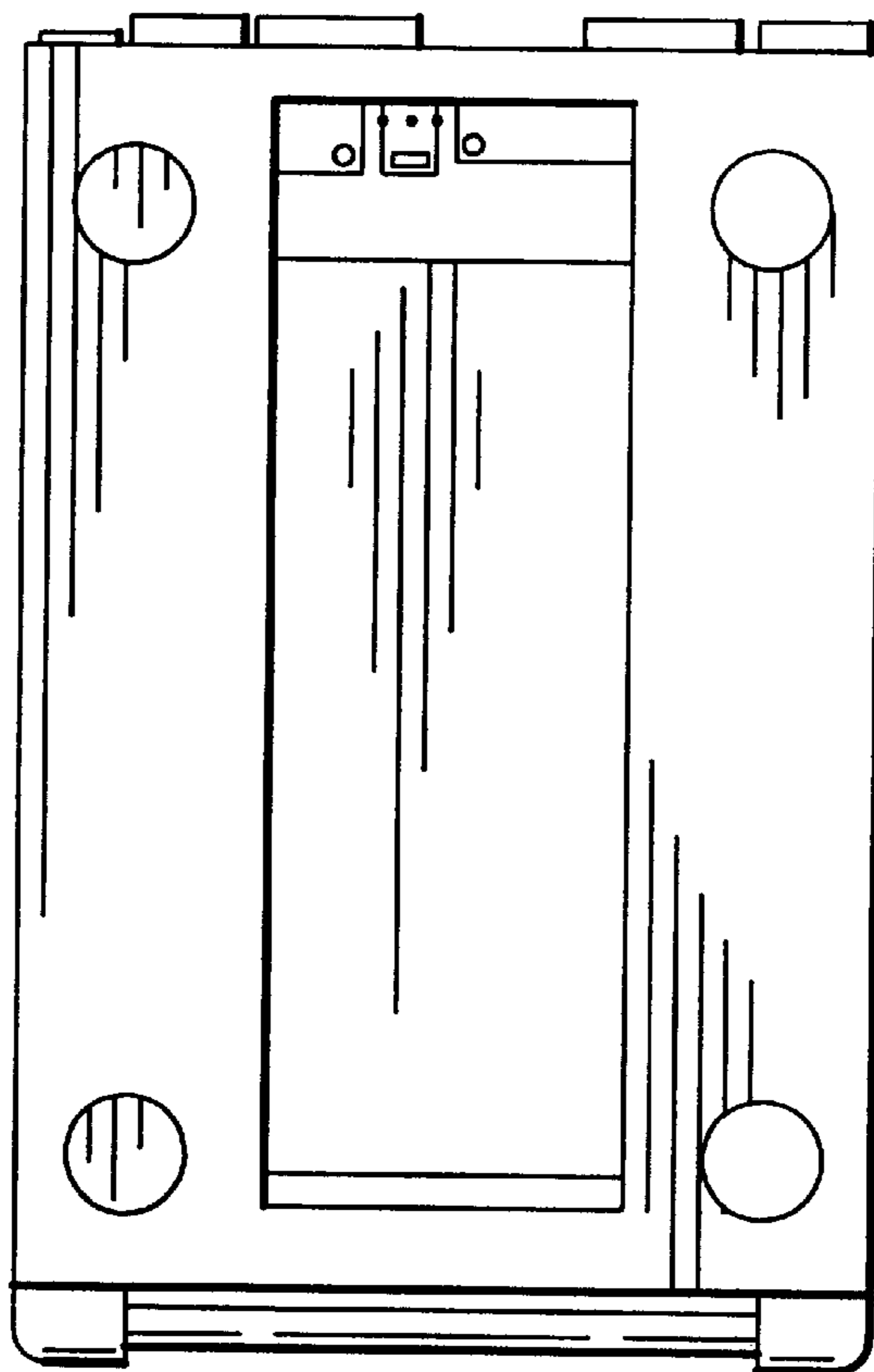


FIG. 6

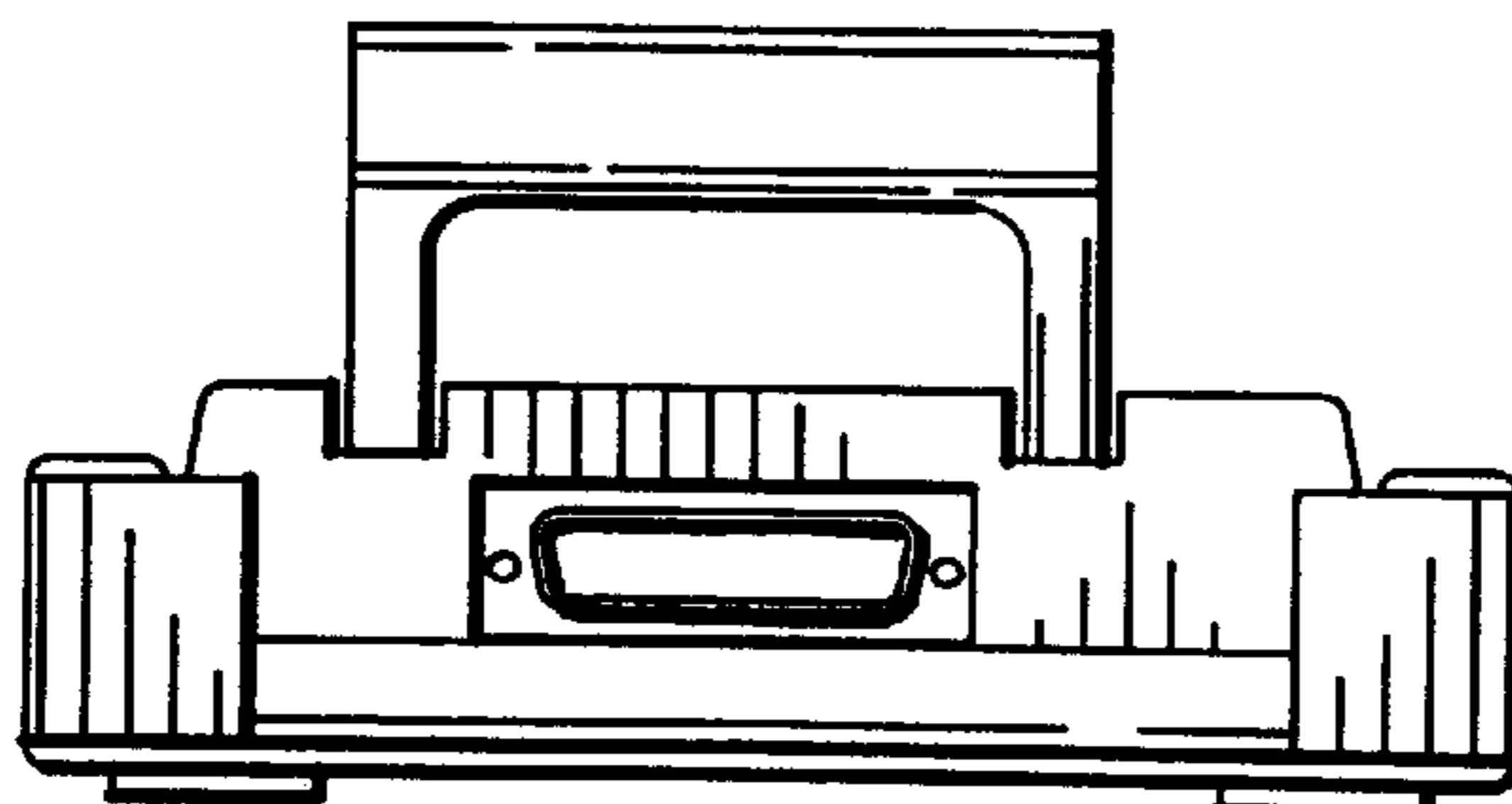


FIG. 4

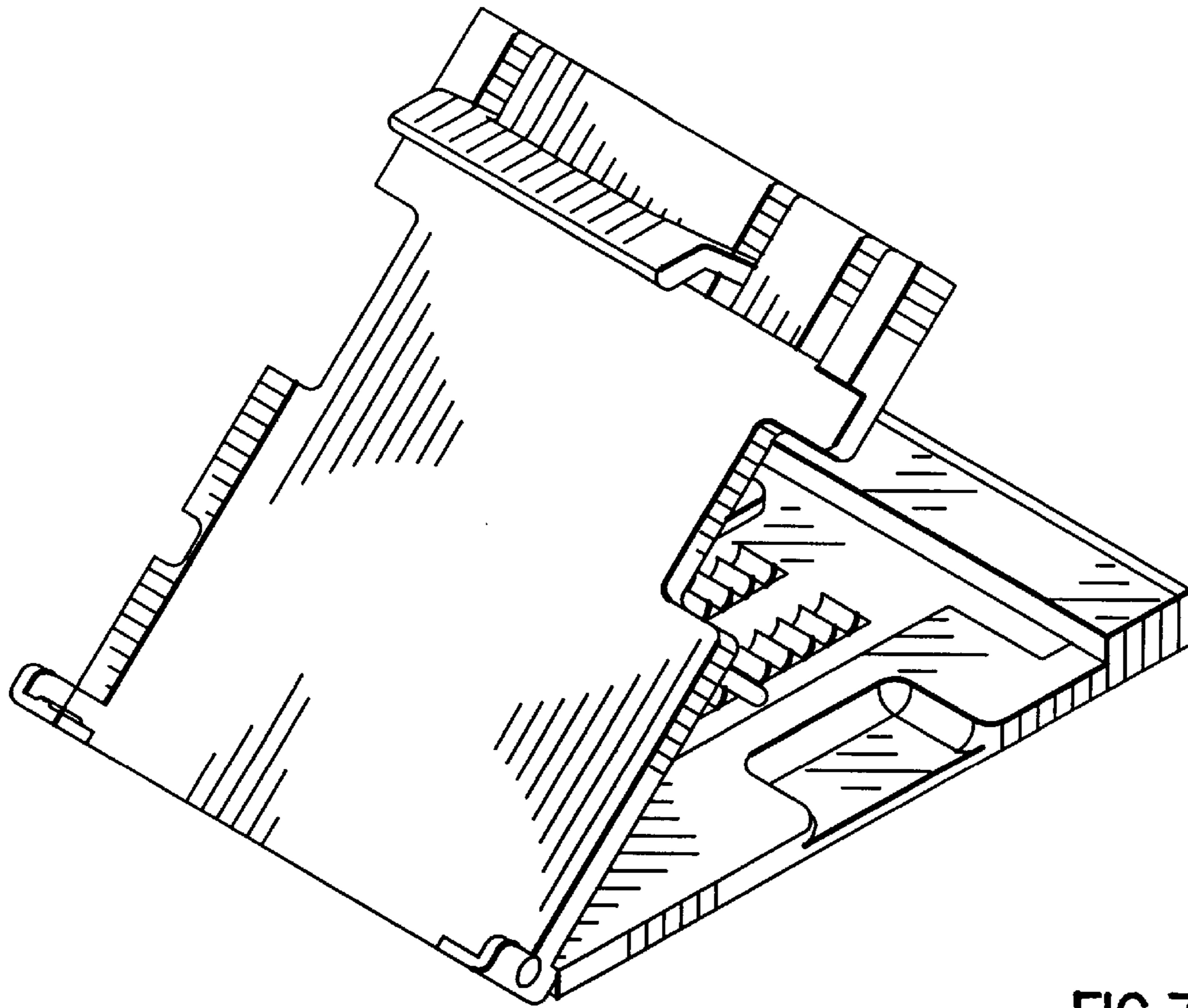


FIG.7

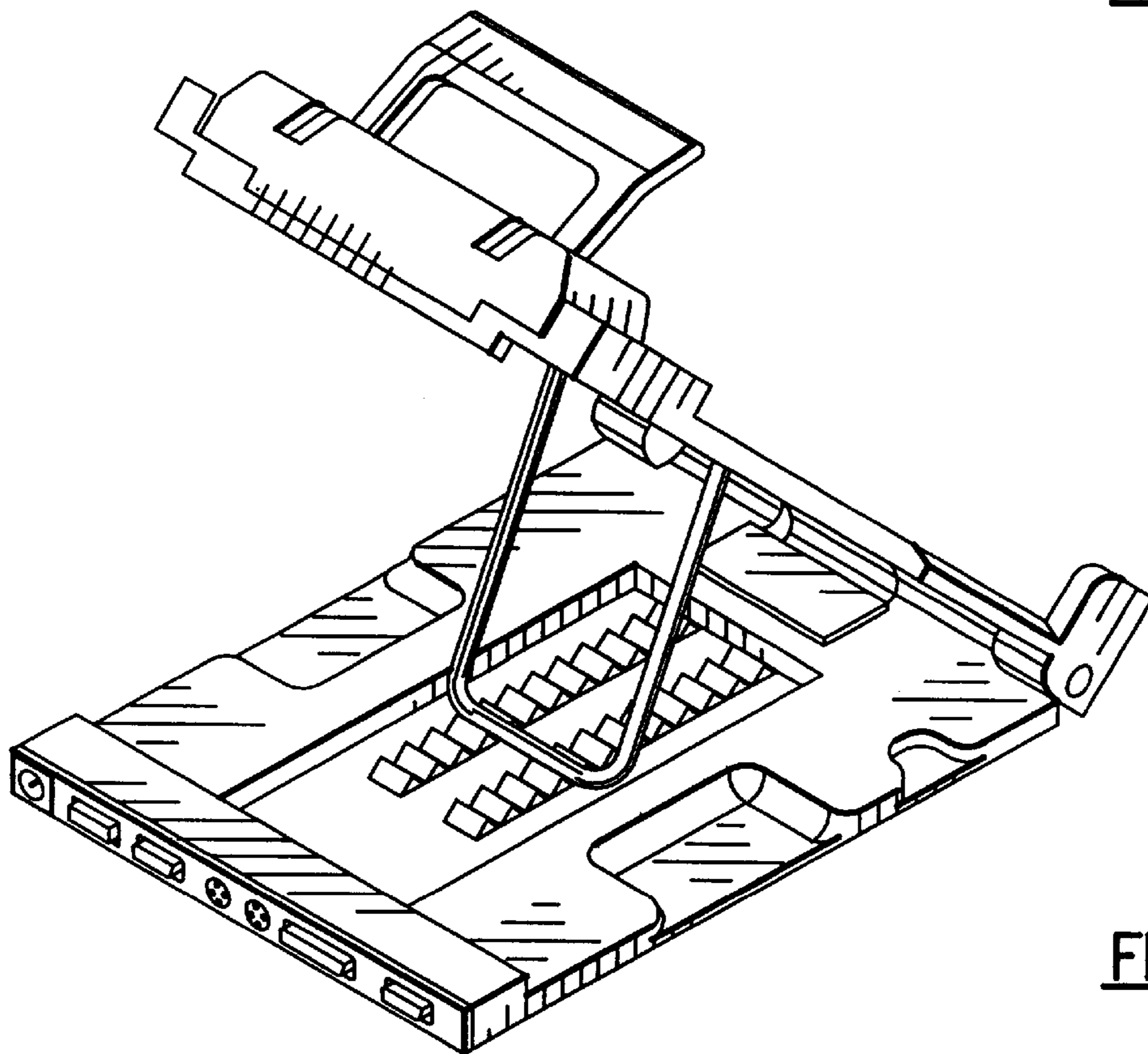


FIG.8

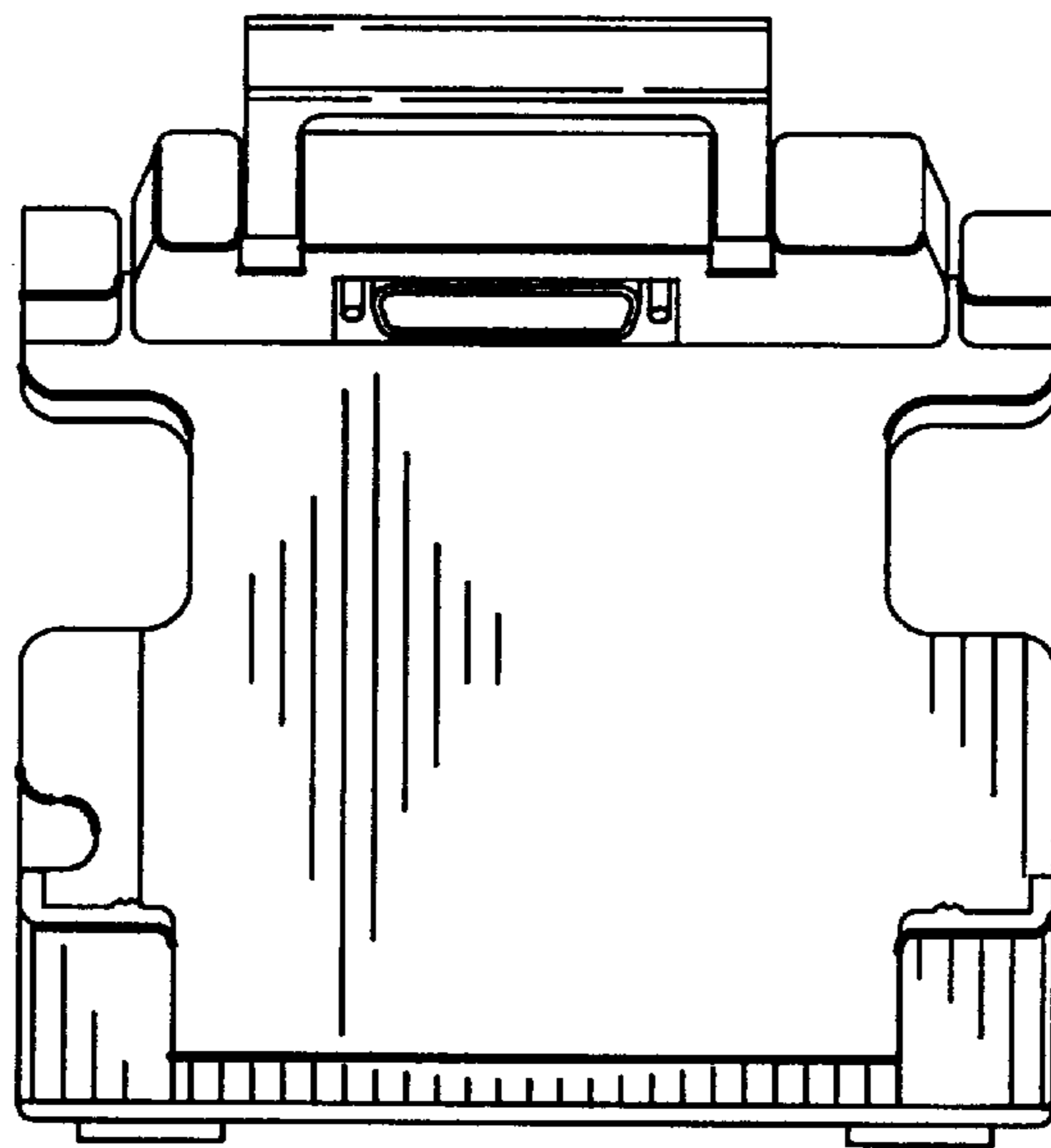


FIG. 9

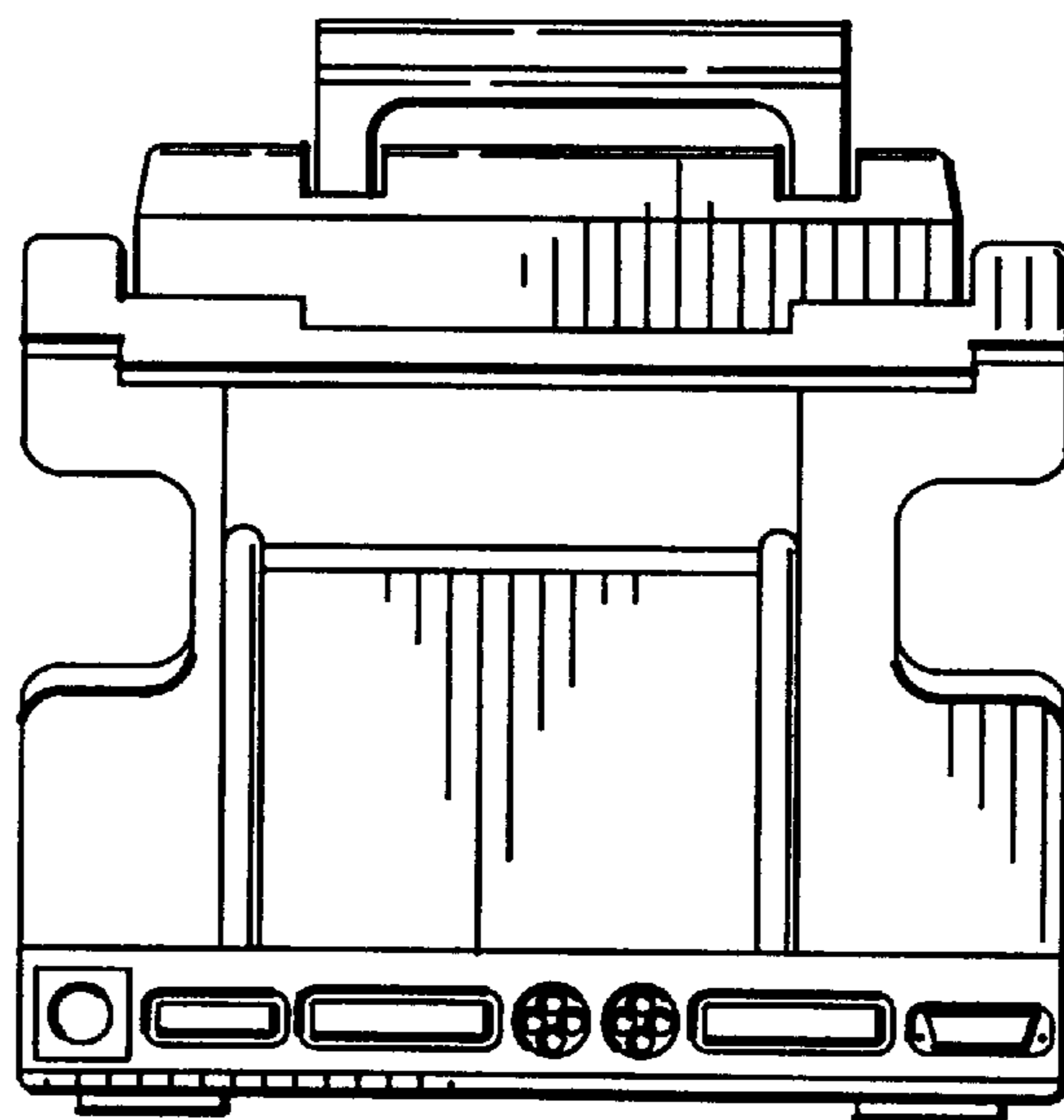


FIG. 10

UNITED STATES PATENT AND TRADEMARK OFFICE
CERTIFICATE OF CORRECTION

PATENT NO. : Des. 395,640
DATED : 06/30/98
INVENTOR(S) : W. Goodman et al

It is certified that error appears in the above-identified patent and that said Letters Patent is hereby corrected as shown below:

DESCRIPTION (front page) - under FIG. 8, after "position;", delete "and,"

Please add FIG 9 as follows:

--FIG. 9 is a rear perspective thereof, showing the invention in a partially open position; and--.

Signed and Sealed this
Twenty-fourth Day of November, 1998

Attest:



BRUCE LEHMAN

Attesting Officer

Commissioner of Patents and Trademarks