



US00D395637S

United States Patent [19]
Patterson

[11] **Patent Number: Des. 395,637**

[45] **Date of Patent: **Jun. 30, 1998**

[54] **VISOR ORGANIZER**

[75] Inventor: **Kimberly Ann Patterson**, Malibu, Calif.

[73] Assignee: **Auto-Shade, LLC**, Moorpark, Calif.

[**] Term: **14 Years**

[21] Appl. No.: **55,645**

[22] Filed: **Jun. 10, 1996**

[51] **LOC (6) Cl.** **12-16**

[52] **U.S. Cl.** **D12/417**

[58] **Field of Search** D12/191, 417;
D3/215, 226, 247, 249, 252-253; 224/311-312;
296/97.1, 97.2, 97.4-97.9, 97.11

[56] **References Cited**

U.S. PATENT DOCUMENTS

D. 184,038	12/1958	Chase	D12/417
D. 249,592	9/1978	Libonati	D3/226
D. 362,159	9/1995	Singh	D12/417 X
2,673,670	3/1954	Steele	224/312
5,516,018	5/1996	Eekandry	224/312

Primary Examiner—James Gandy
Assistant Examiner—Stacia Sinuik
Attorney, Agent, or Firm—Fish & Richardson P.C.

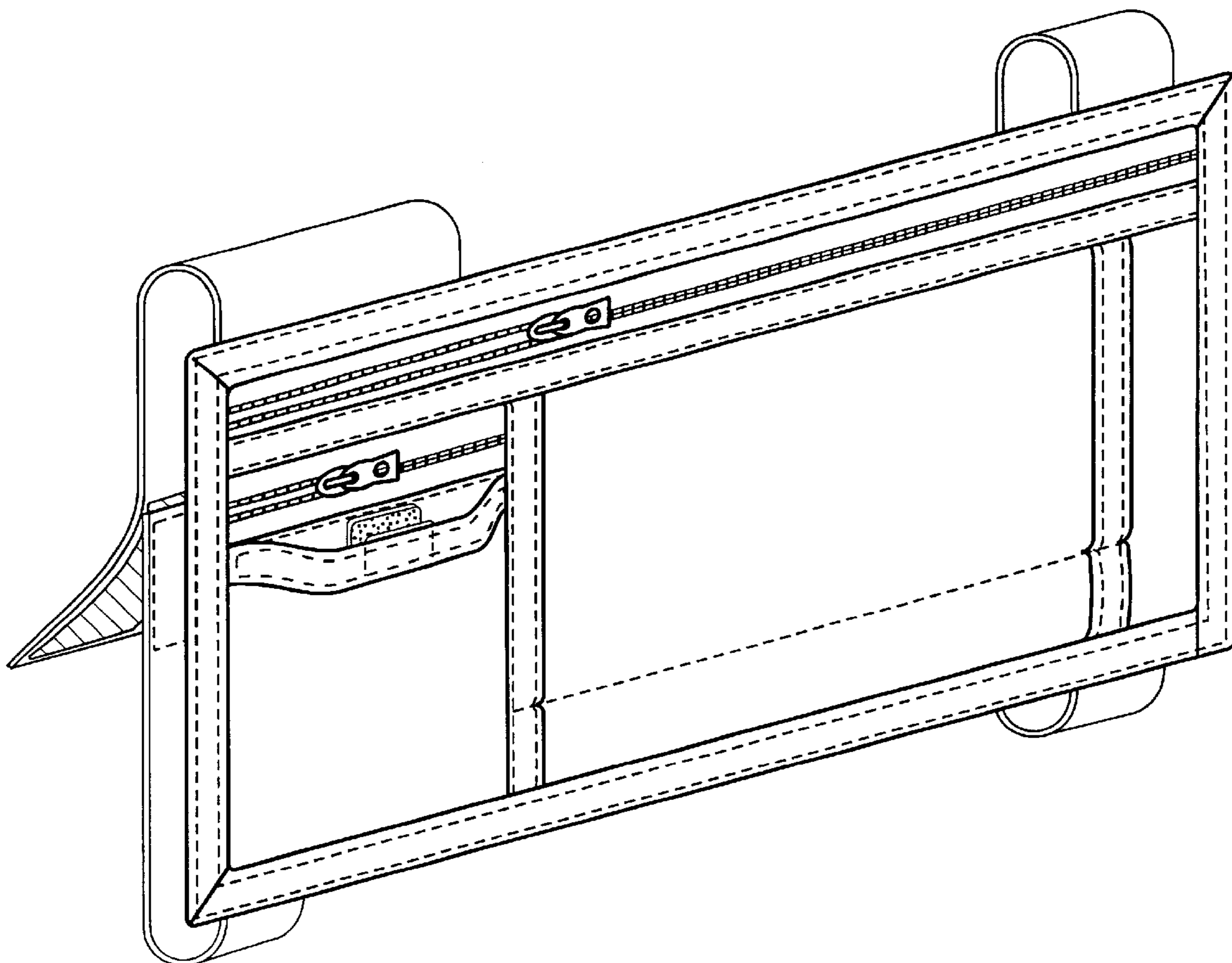
[57] **CLAIM**

the ornamental design for a visor organizer, as shown and described.

DESCRIPTION

FIG. 1 is a perspective view of a visor organizer of my inventive design having a mesh pocket which is shown in an open configuration in this figure;
FIG. 2 is a front view of the visor organizer;
FIG. 3 is a top view of the visor organizer;
FIG. 4 is a rear view of the visor organizer;
FIG. 5 is a bottom view of the visor organizer;
FIG. 6 is a left side view of the visor organizer; and,
FIG. 7 is a right side view of the visor organizer.
The fragmented criss-cross shading in FIG. 1 is representative of mesh which understood to be continuous throughout the implied area as shown in FIG. 2.
The dashed lines on the visor organizer are understood to represent stitching.

1 Claim, 3 Drawing Sheets



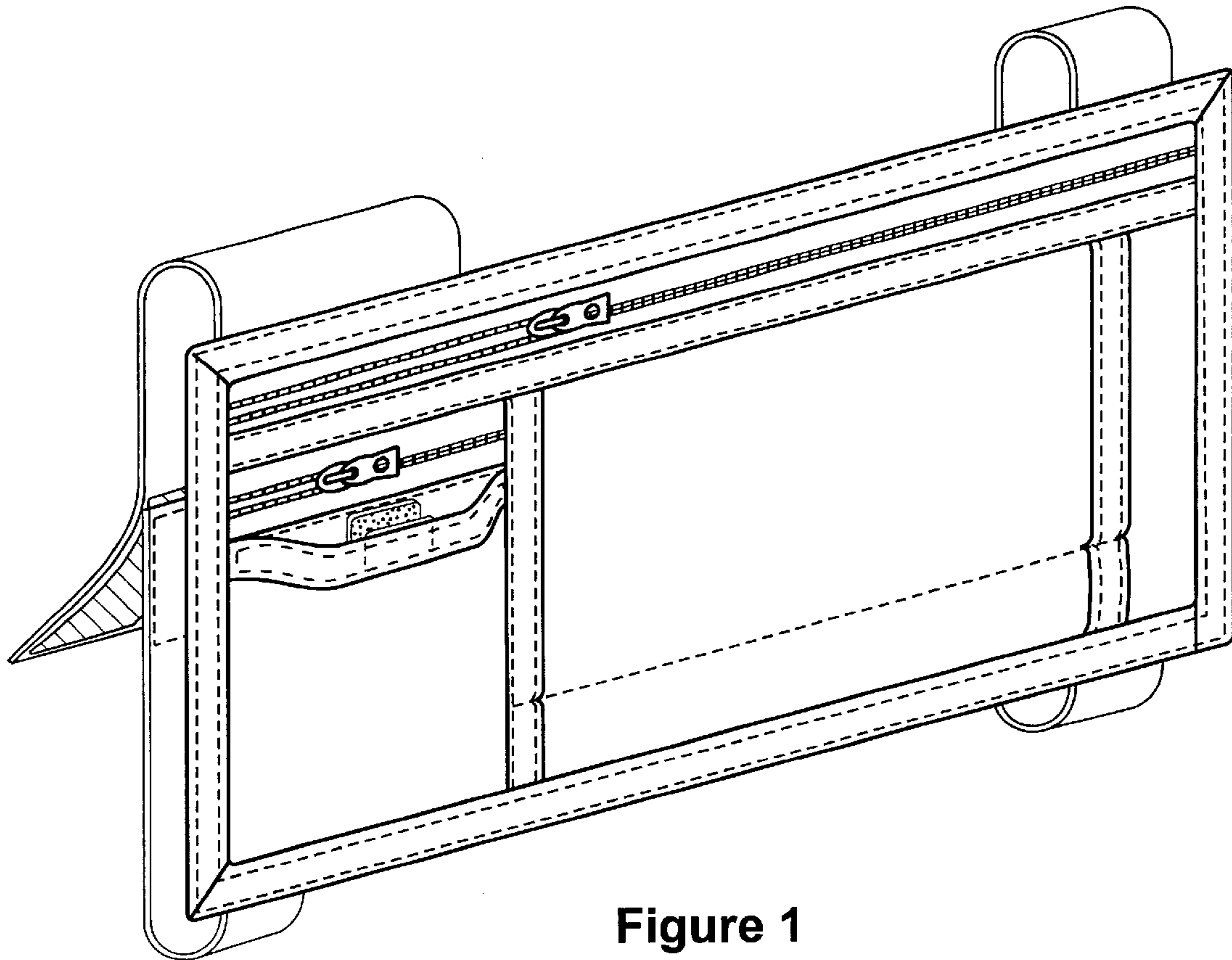


Figure 1

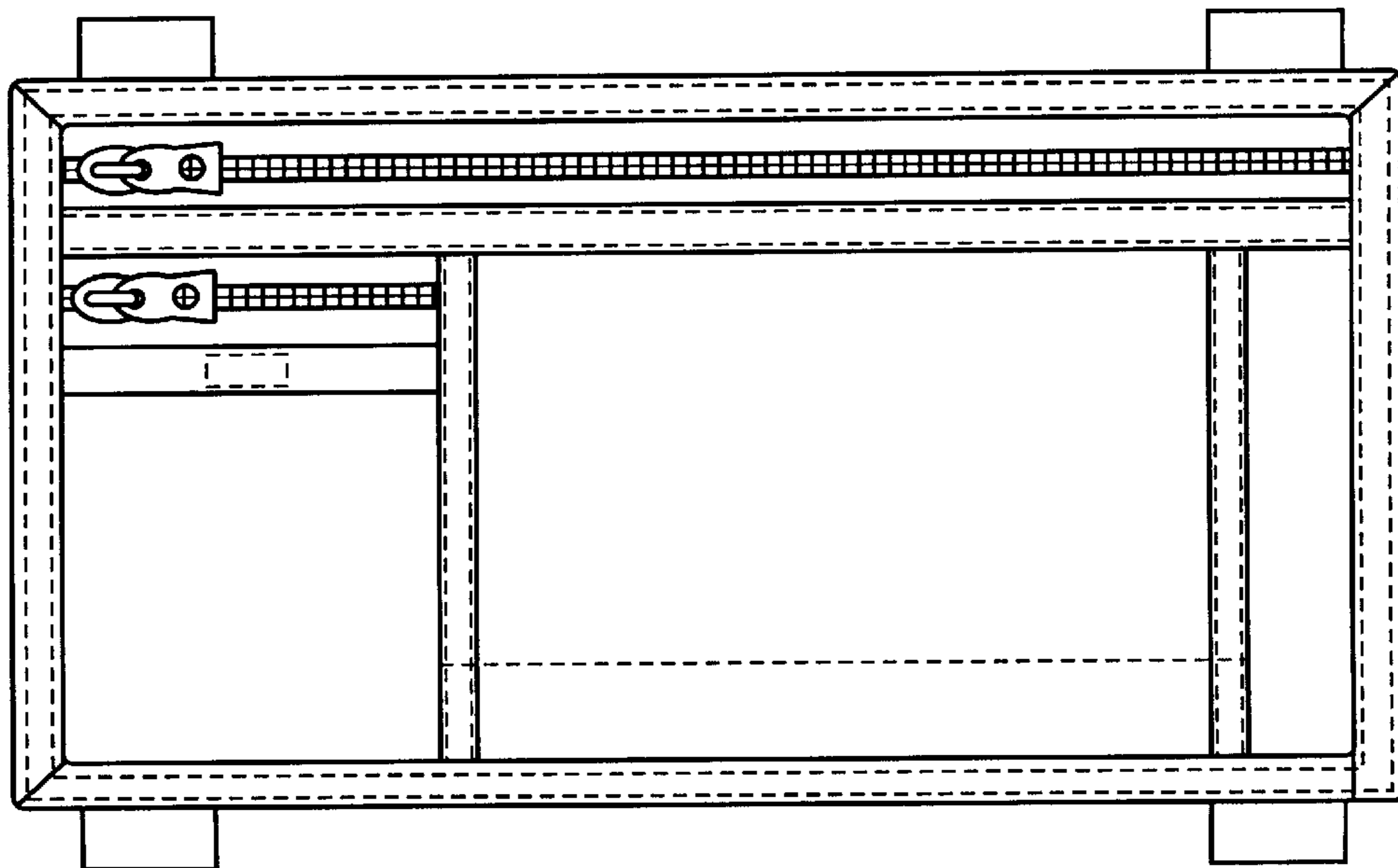


Figure 2

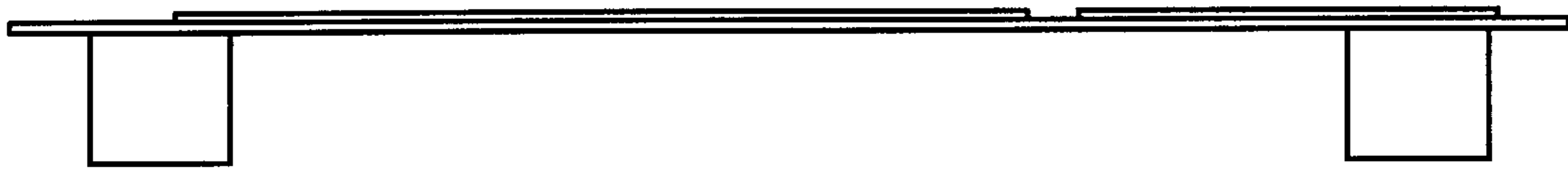


Figure 3

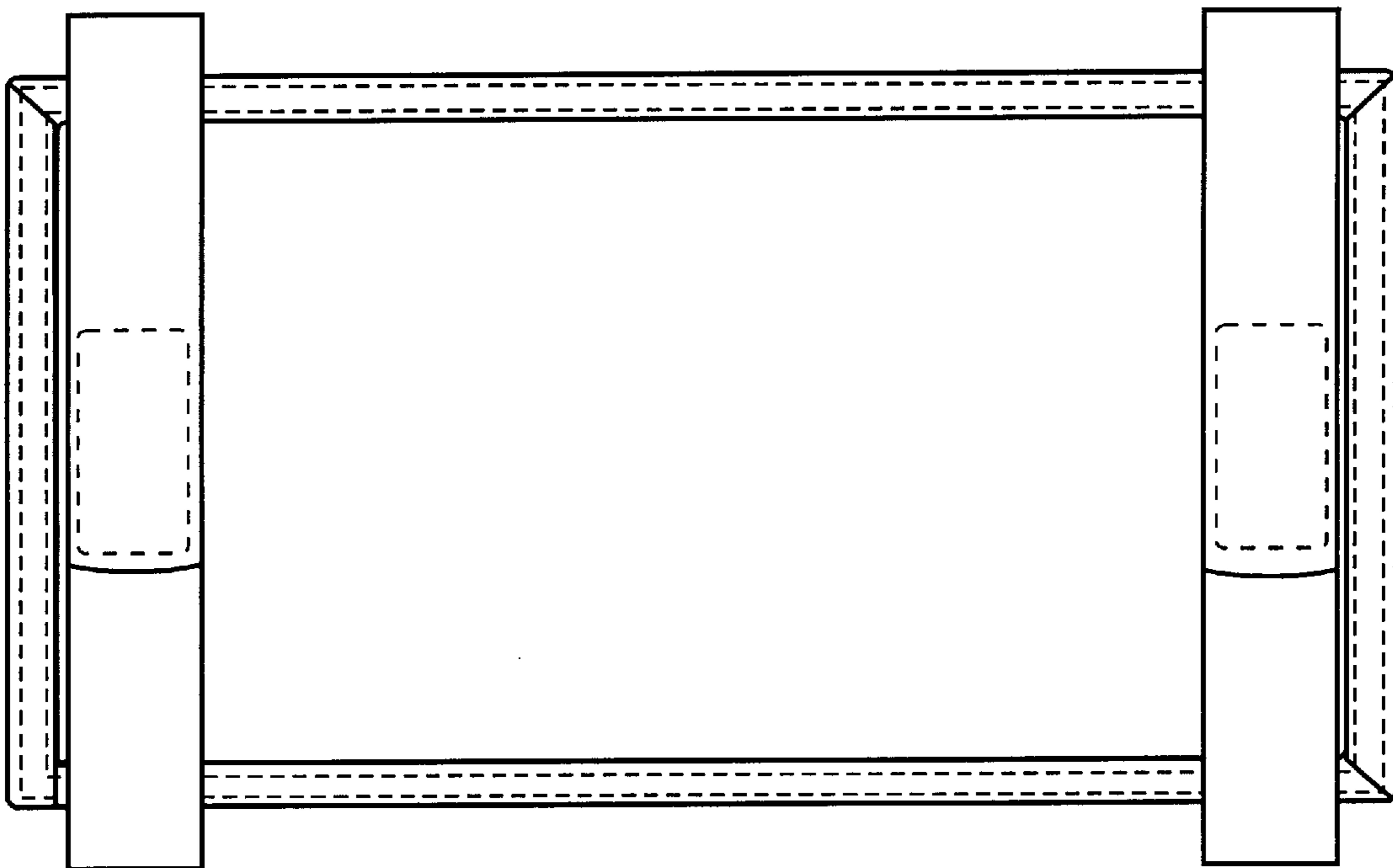


Figure 4



Figure 5

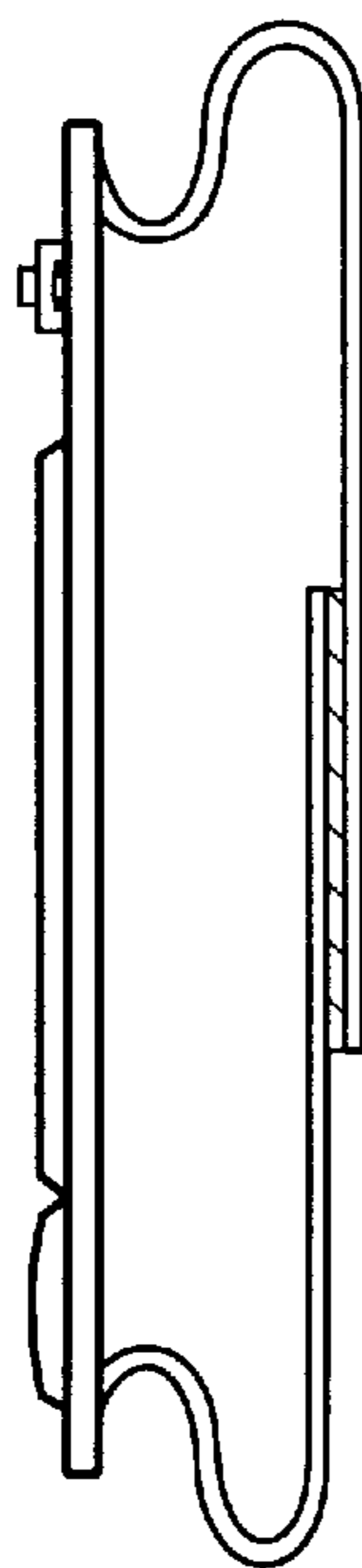


Figure 6

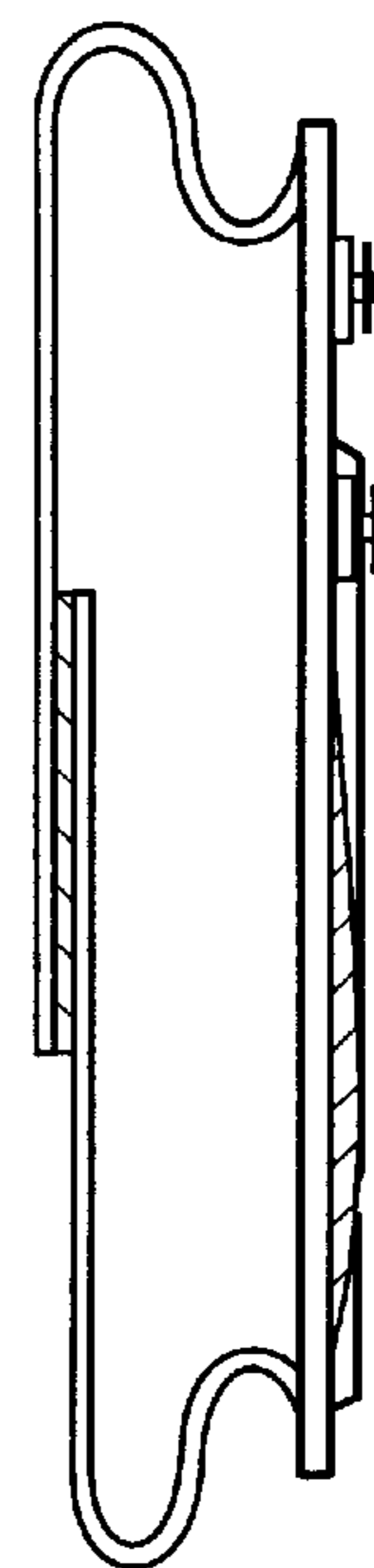


Figure 7