



US00D395636S

United States Patent [19]

Pierce

[11] **Patent Number: Des. 395,636**

[45] **Date of Patent: **Jun. 30, 1998**

[54] **FISHING BOAT**

D. 326,841 6/1992 Hopper et al. D12/311

[75] Inventor: **Richard D. Pierce**, Mountain Home, Ark.

Primary Examiner—Kay H. Chin
Attorney, Agent, or Firm—Stephen D. Carver

[73] Assignee: **Challenger Inc.**, Mountain Home, Ark.

[57] **CLAIM**

[**] Term: **14 Years**

The ornamental design for a fishing boat, as shown and described.

[21] Appl. No.: **67,826**

DESCRIPTION

[22] Filed: **Mar. 12, 1997**

[51] **LOC (6) Cl.** **12-06**

[52] **U.S. Cl.** **D12/300**

[58] **Field of Search** D12/300, 318;
114/56, 288–291, 343, 356, 357, 388, 363

FIG. 1 is a left, front perspective view of a fishing boat showing my new design;

FIG. 2 is a left rear perspective view thereof;

FIG. 3 is a right perspective view thereof;

FIG. 4 is a front perspective view thereof;

FIG. 5 is an enlarged, fragmentary perspective view of the front, interior portion thereof; and,

FIG. 6 is an enlarged, fragmentary perspective view of the rear interior portion thereof.

[56] **References Cited**

U.S. PATENT DOCUMENTS

D. 291,685 9/1987 Wood et al. D12/300

D. 301,711 6/1989 Allbritton D12/300

1 Claim, 3 Drawing Sheets

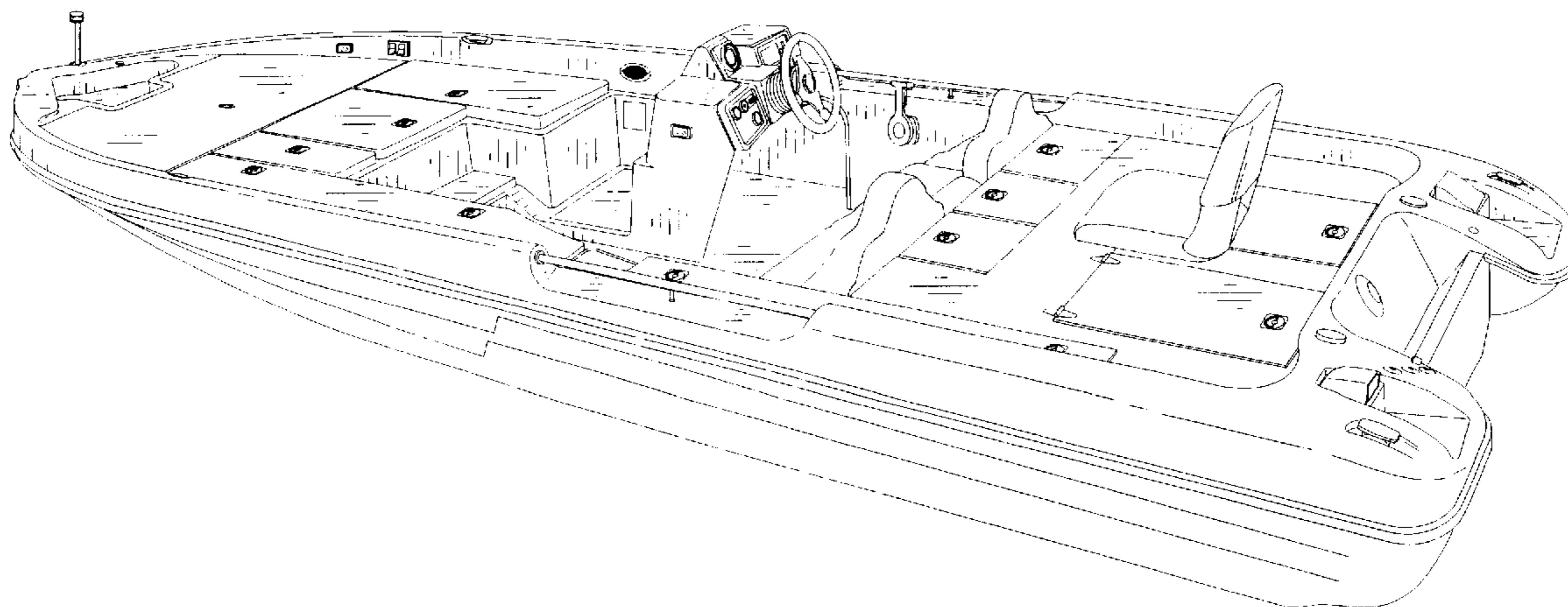


FIG. 1

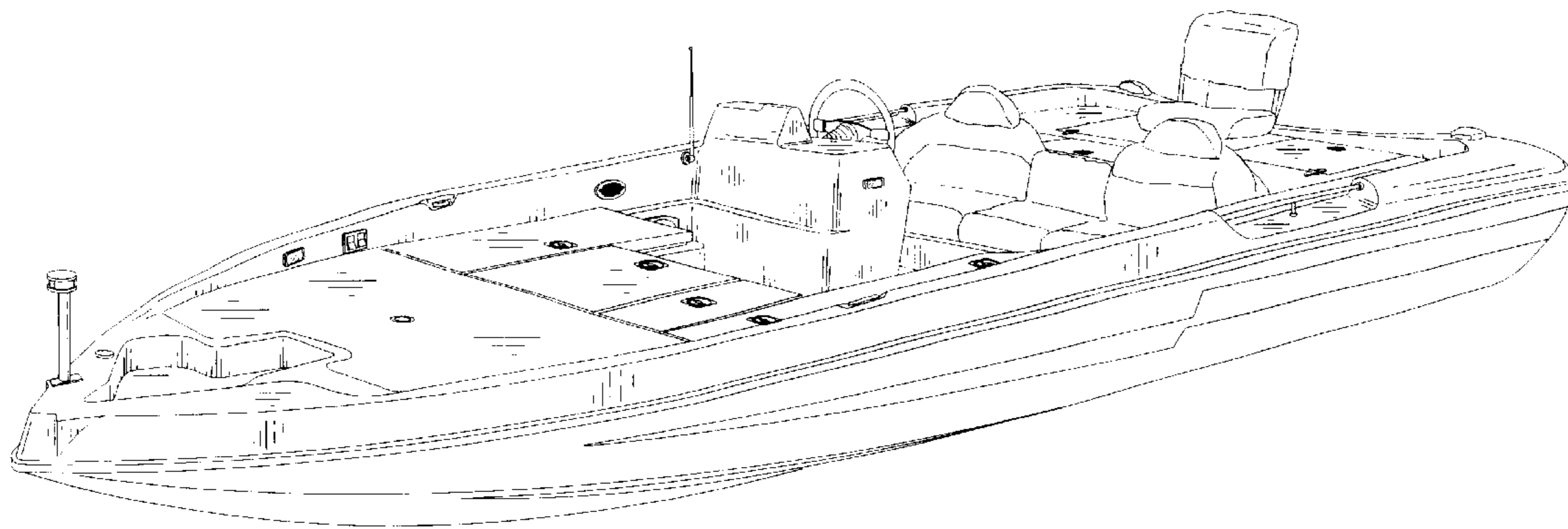


FIG. 2

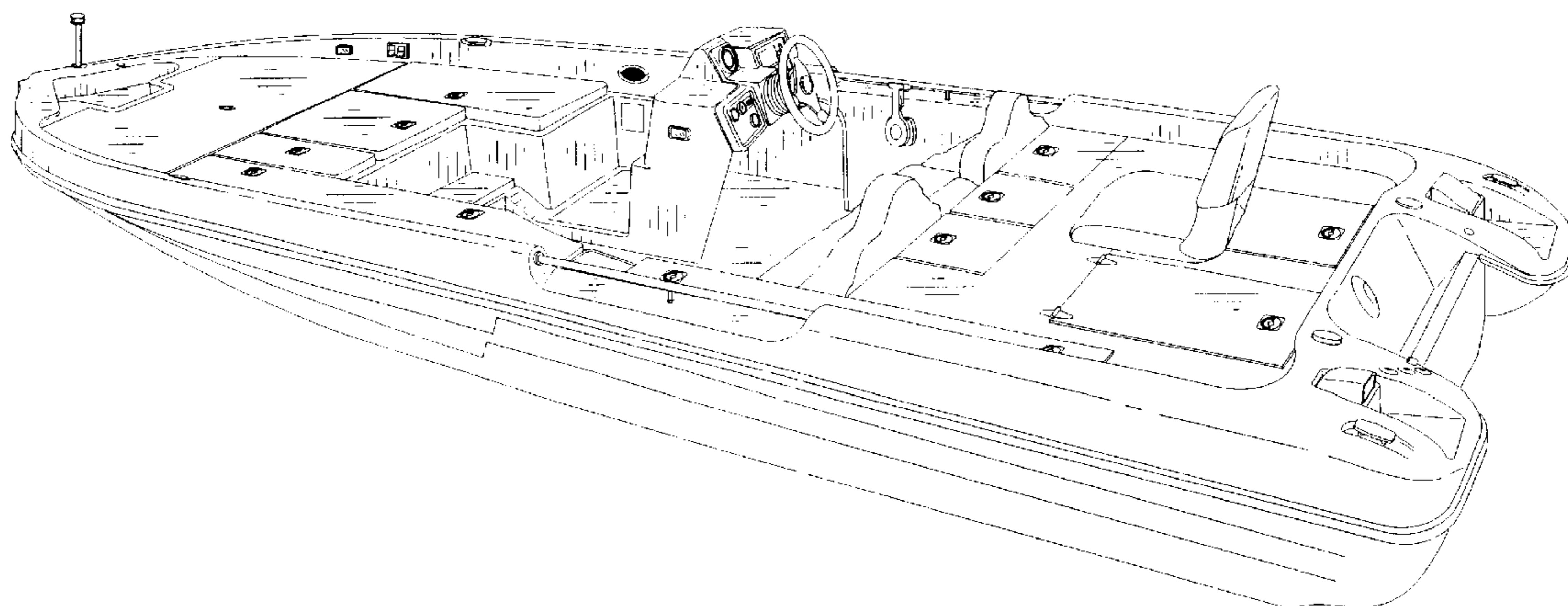


FIG. 3

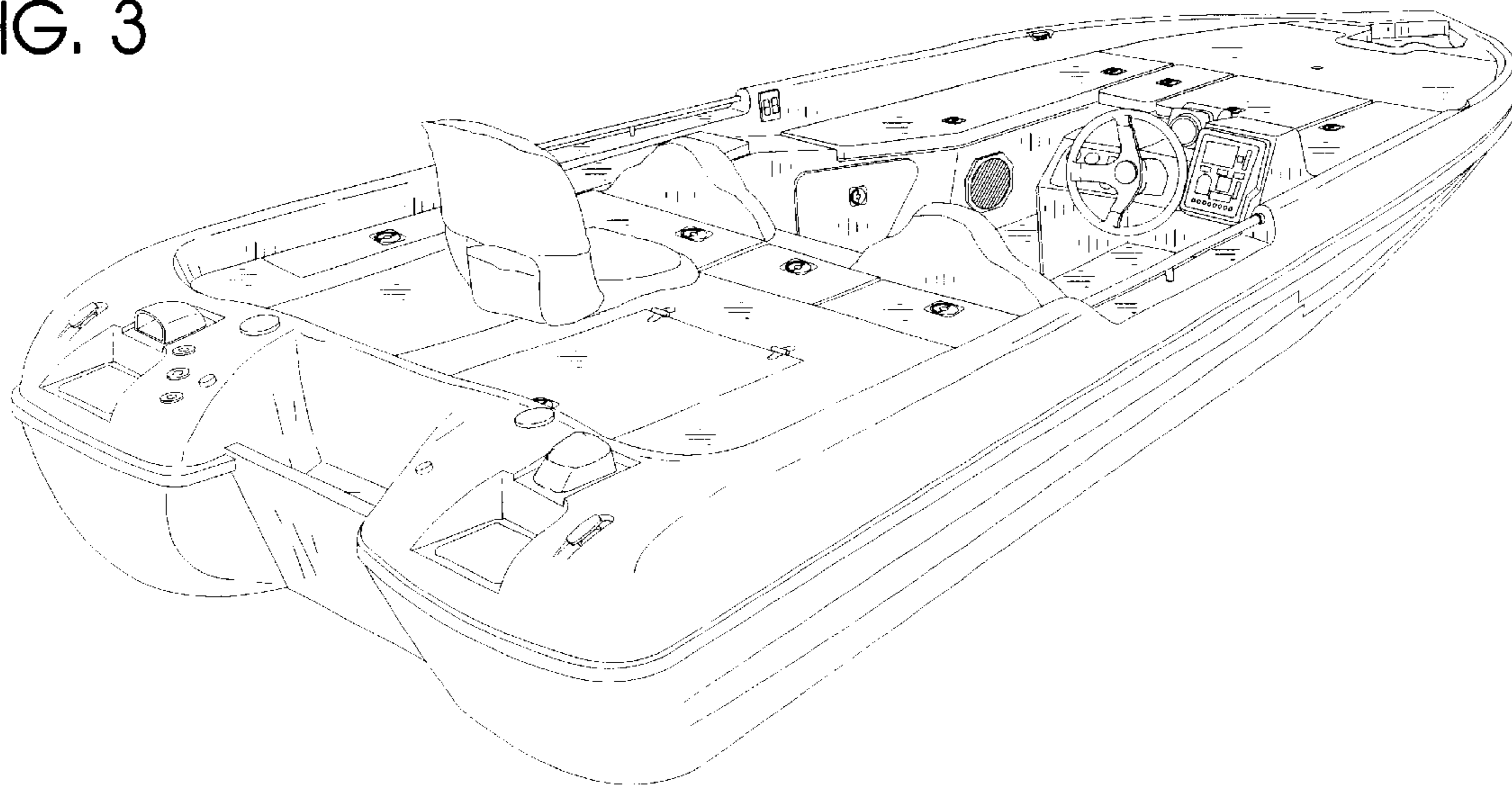


FIG. 4

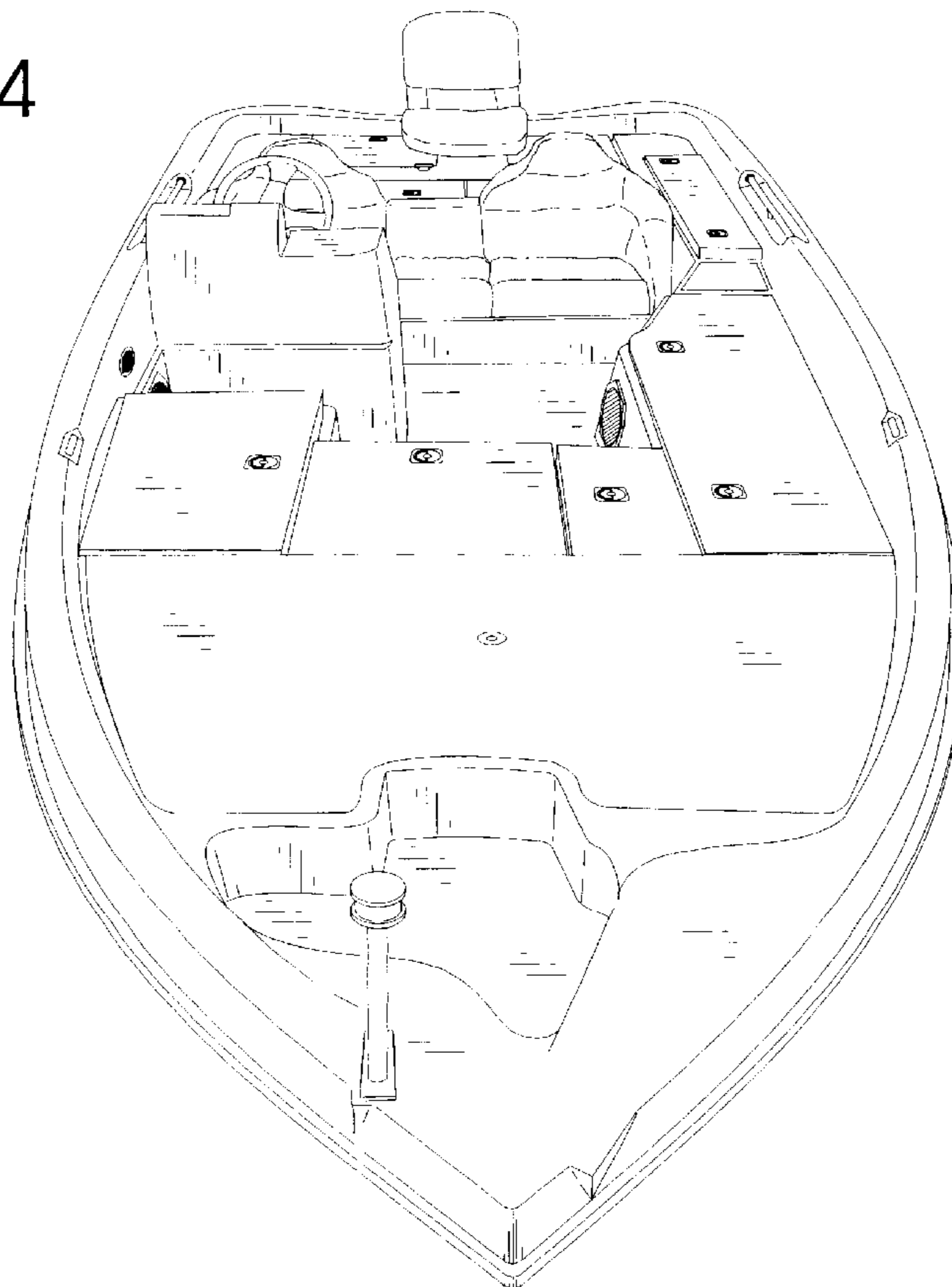


FIG. 5

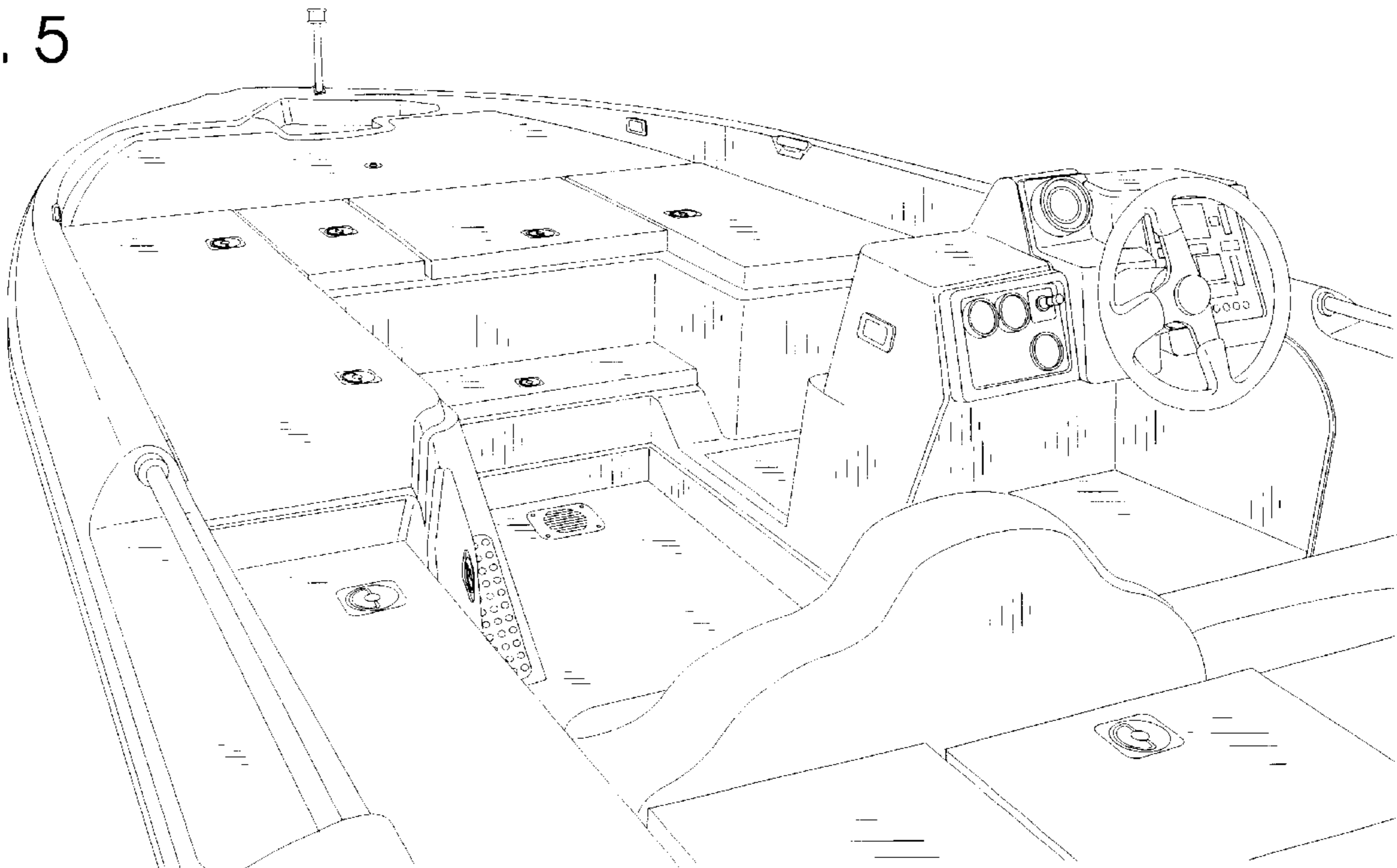


FIG. 6

