



US00D395618S

United States Patent [19]

Cohen et al.

[11] **Patent Number: Des. 395,618**

[45] **Date of Patent: **Jun. 30, 1998**

[54] **BELT BUCKLE**

[75] Inventors: **William Cohen**, Syossett; **Tracy Roberts**, Westbury; **Sonia Cohen**, Irvington, all of N.Y.

[73] Assignee: **Fido, Inc.**, Syossett, N.Y.

[**] Term: **14 Years**

[21] Appl. No.: **35,847**

[22] Filed: **Mar. 7, 1995**

[51] **LOC (6) Cl.** **02-07**

[52] **U.S. Cl.** **D11/218**

[58] **Field of Search** D11/200, 231-239;
D2/627, 631; 24/163.5 R-165, 185-187;
D31/129, 130

[56] **References Cited**

U.S. PATENT DOCUMENTS

- D. 50,633 4/1917 Schwahn D11/231
- D. 58,480 7/1921 Hauser D11/237

- D. 65,201 7/1924 Rosenblum D11/218
- D. 80,414 1/1930 Freysinger D11/218
- D. 82,997 1/1931 King D11/236
- D. 99,204 4/1936 Manning D11/219

Primary Examiner—Ralf Seifert

[57] **CLAIM**

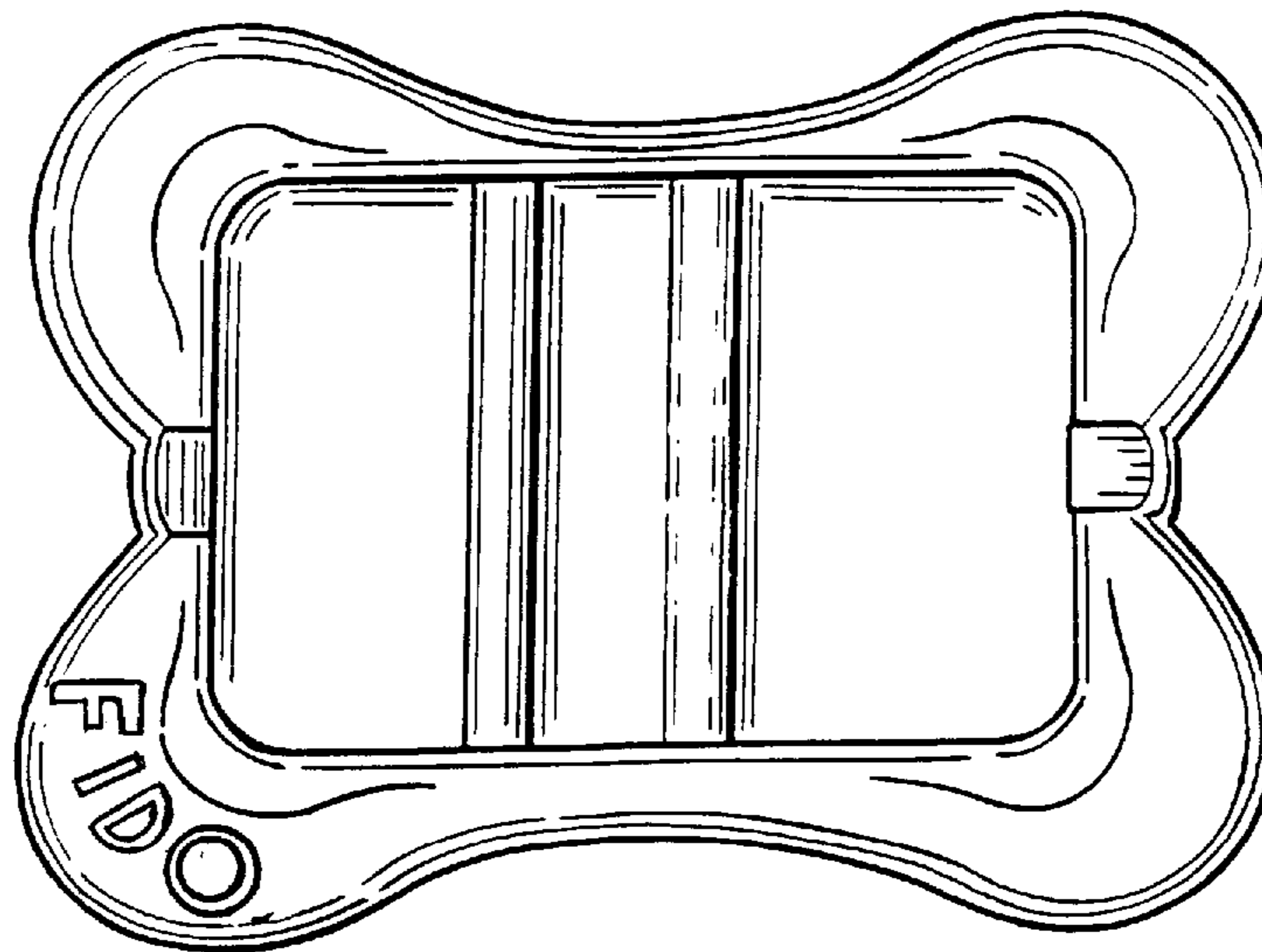
The ornamental design for a belt buckle, as shown and described above.

DESCRIPTION

FIG. 1 is a perspective view of a belt buckle showing my new design, the broken line showing of a belt is for illustrative purposes only and forms no part of the claimed design;

- FIG. 2 is a front elevation of the buckle;
- FIG. 3 is a rear elevation of the buckle;
- FIG. 4 is a bottom plan view of the buckle;
- FIG. 5 is a top plan view of the buckle;
- FIG. 6 is a right elevation of the buckle; and,
- FIG. 7 is a left elevation of the buckle.

1 Claim, 2 Drawing Sheets



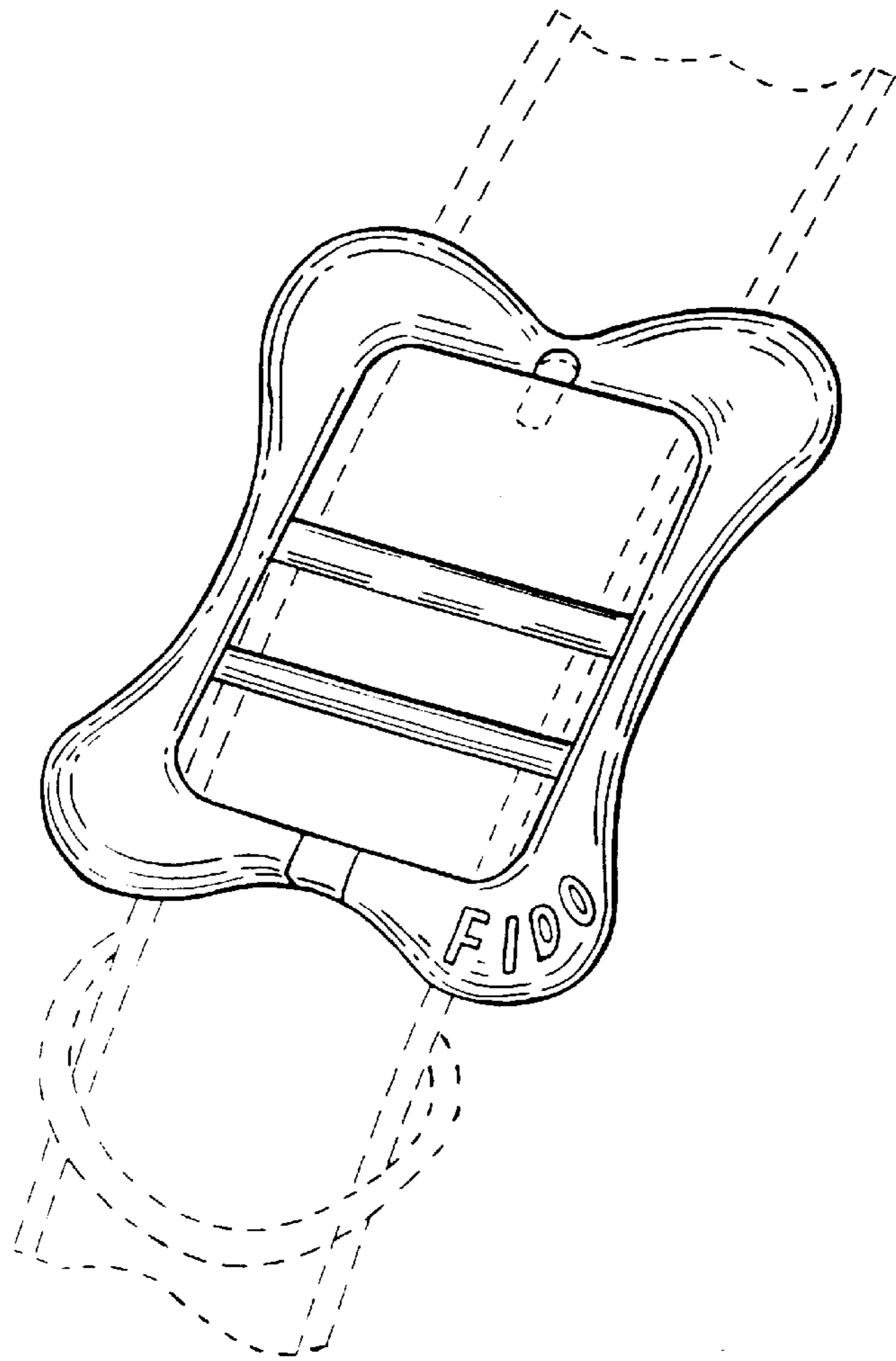


FIG. 1

FIG. 2

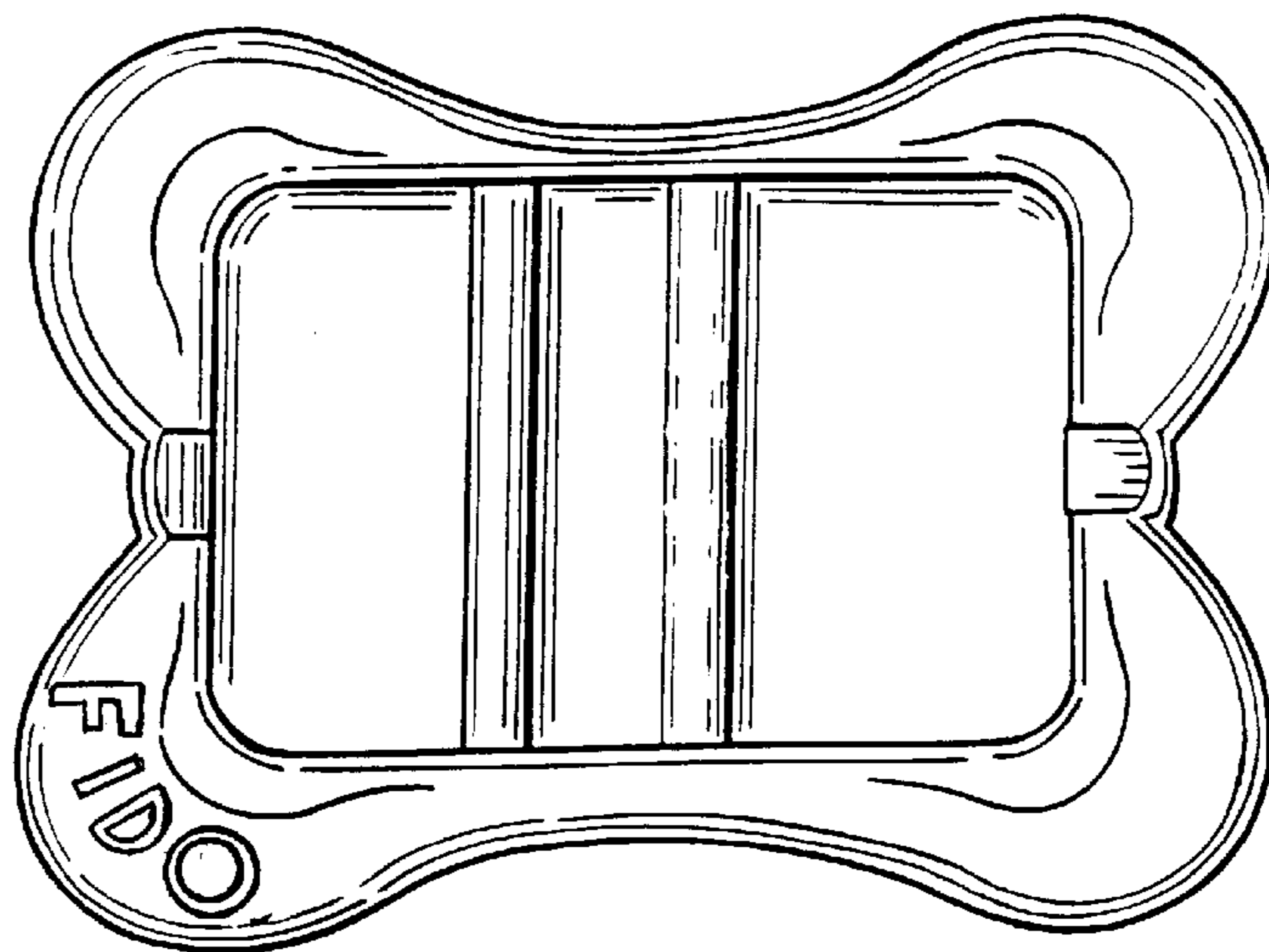


FIG. 3

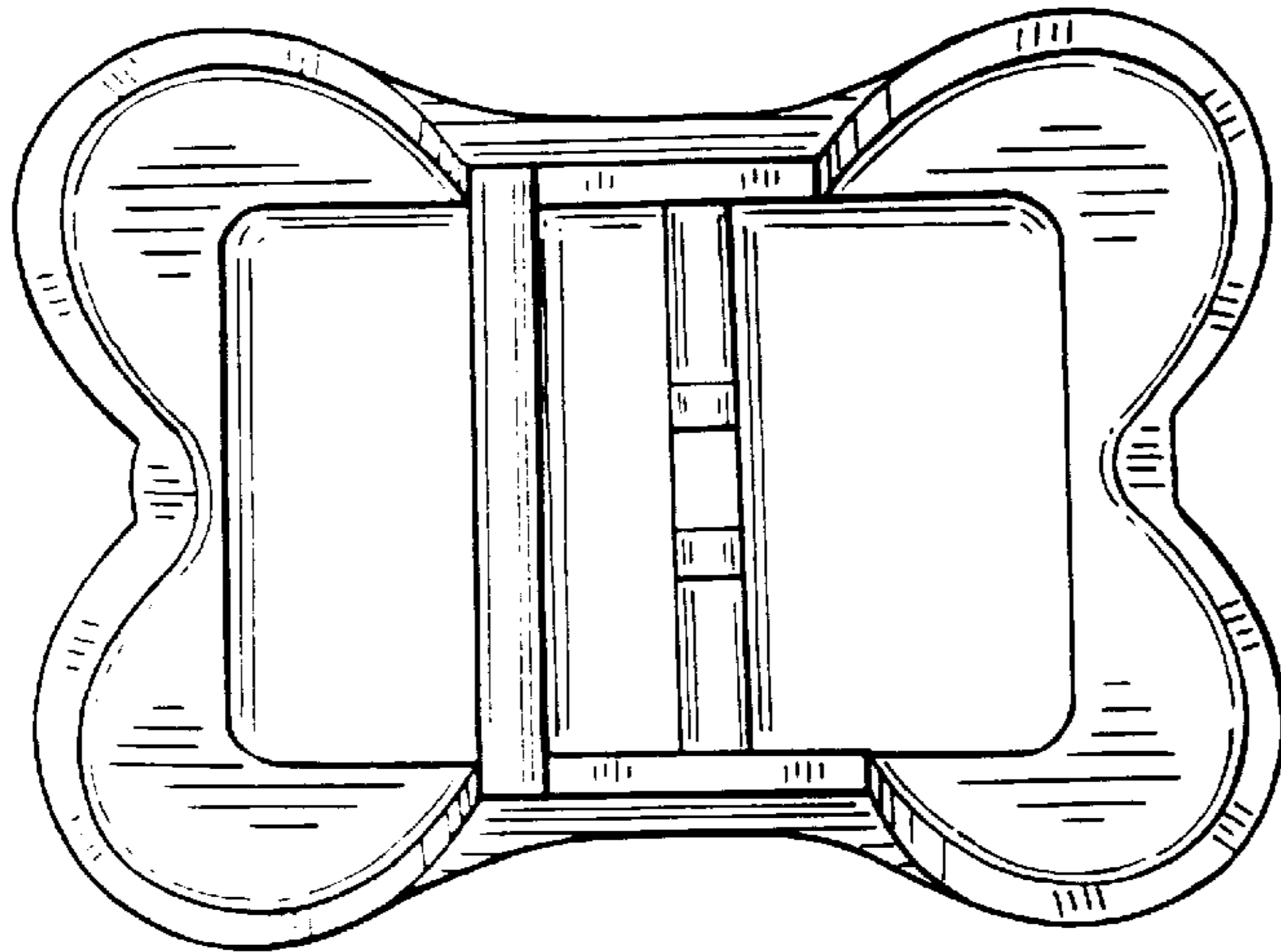


FIG. 6

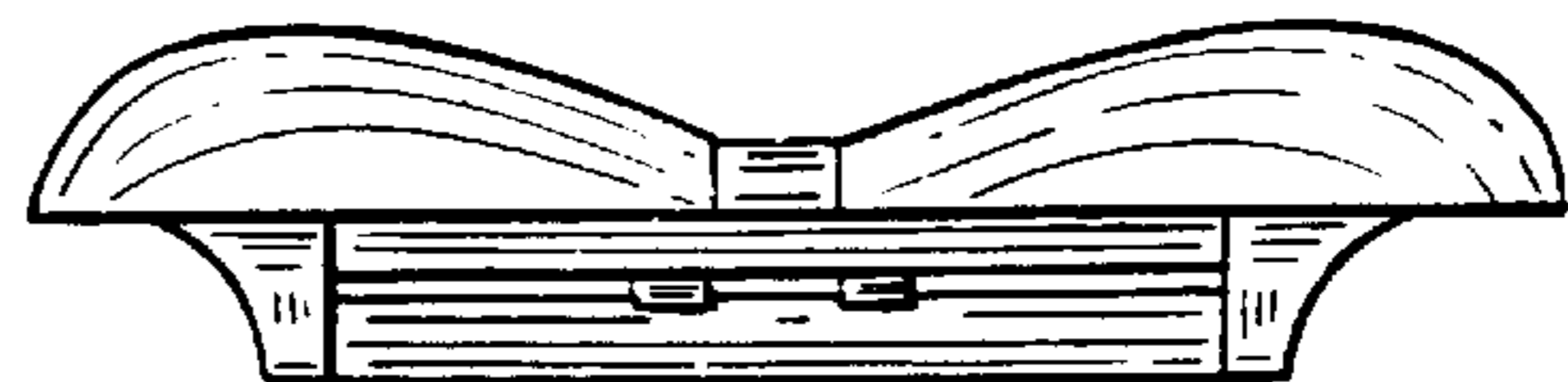


FIG. 4

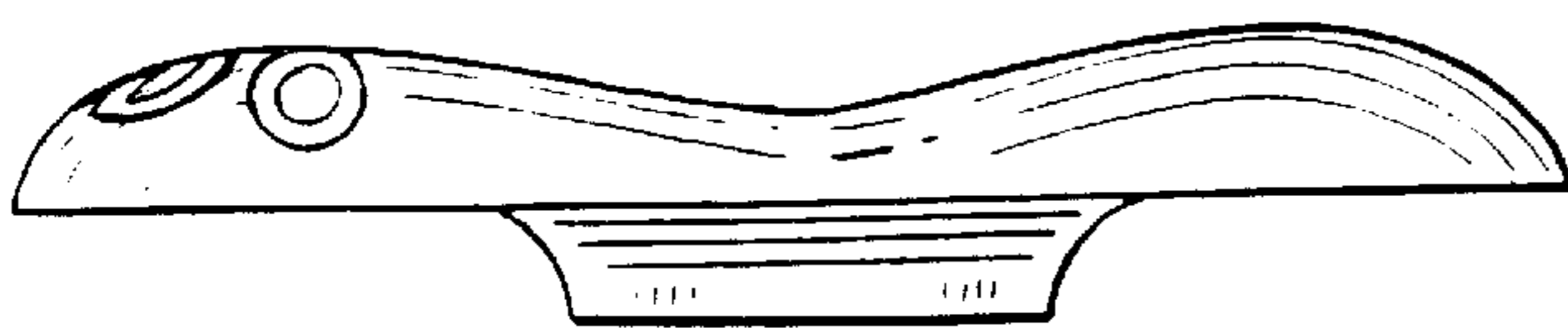


FIG. 7

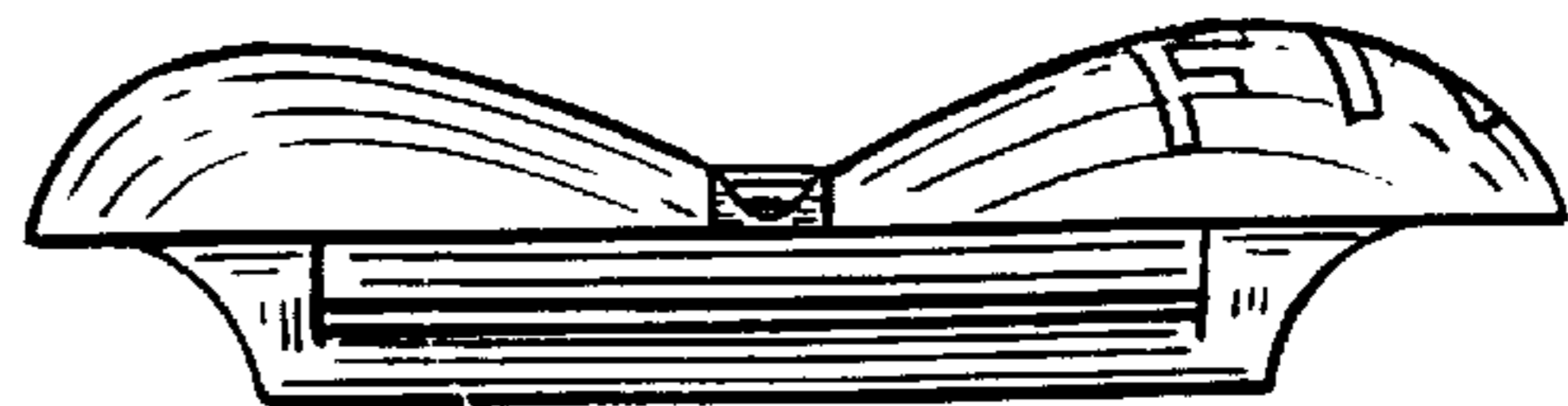


FIG. 5

