



US00D395616S

United States Patent [19]

Egloff

[11] **Patent Number: Des. 395,616**

[45] **Date of Patent: **Jun. 30, 1998**

[54] **FLOWER CONTAINER**

[76] Inventor: **Max Egloff**, Loorenstr. 16, CH-5443
Niederrohrdorf, Switzerland

[**] Term: **14 Years**

[21] Appl. No.: **70,247**

[22] Filed: **May 2, 1997**

[30] **Foreign Application Priority Data**

Nov. 12, 1996 [WO] WIPO 007070

[51] **LOC (6) Cl.** **11-02**

[52] **U.S. Cl.** **D11/156**

[58] **Field of Search** D11/143, 155,
D11/156; D6/403; 47/65.5, 68, 72, 39,
40, 41.01; 206/423

[56] **References Cited**

U.S. PATENT DOCUMENTS

D. 265,387 7/1982 Natrass D11/156
D. 296,089 6/1988 Pouliot D11/156

OTHER PUBLICATIONS

Smith & Hawken catalog; p. 41; Copper planters, top right
of page, Feb. 11, 1989.

Primary Examiner—Caron D. Veynar

Attorney, Agent, or Firm—Anderson & Kill & Olick, P.C.

[57] **CLAIM**

The ornamental design of a flower container, as shown and
described.

DESCRIPTION

FIG. 1 is a rightside perspective view of a flower container
according to my new design;

FIG. 2 is a leftside perspective view of a flower container
according to my new design;

FIG. 3 is a top view of the flower container shown in FIGS.
1-2;

FIG. 4 is a front elevational view of the flower container
shown in FIGS. 1-2;

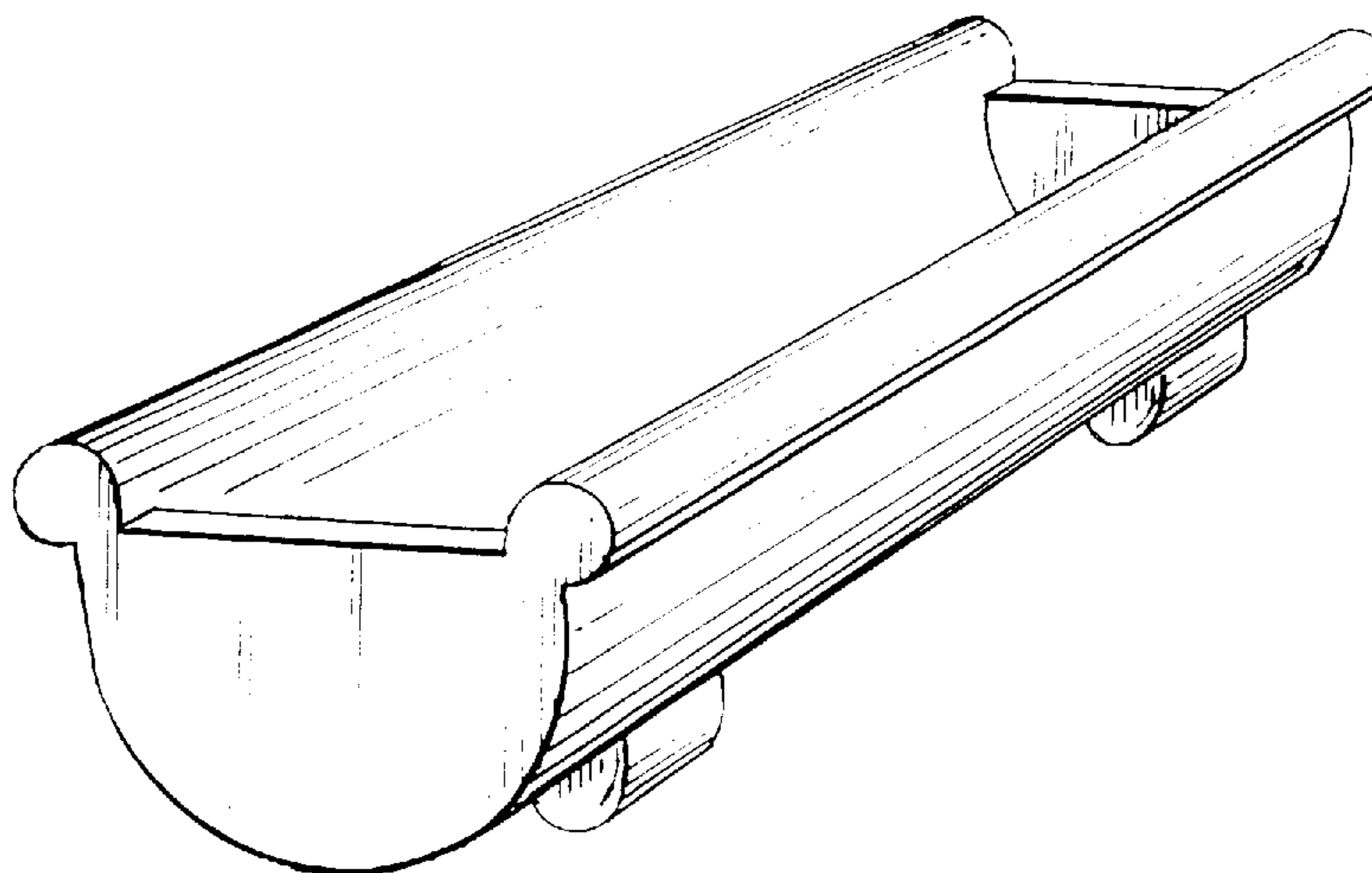
FIG. 5 is a rear elevational view of the flower container
shown in FIGS. 1-2;

FIG. 6 is a bottom view of the flower container shown in
FIGS. 1-2;

FIG. 7 is a leftside view of the flower container shown in
FIGS. 1-2 the rightside view being the same; and,

FIG. 8 is a cross-sectional view along line 8-8 in FIG. 4.
FIGURE drawings 3-8 are drawn on an enlarged scale.

1 Claim, 2 Drawing Sheets



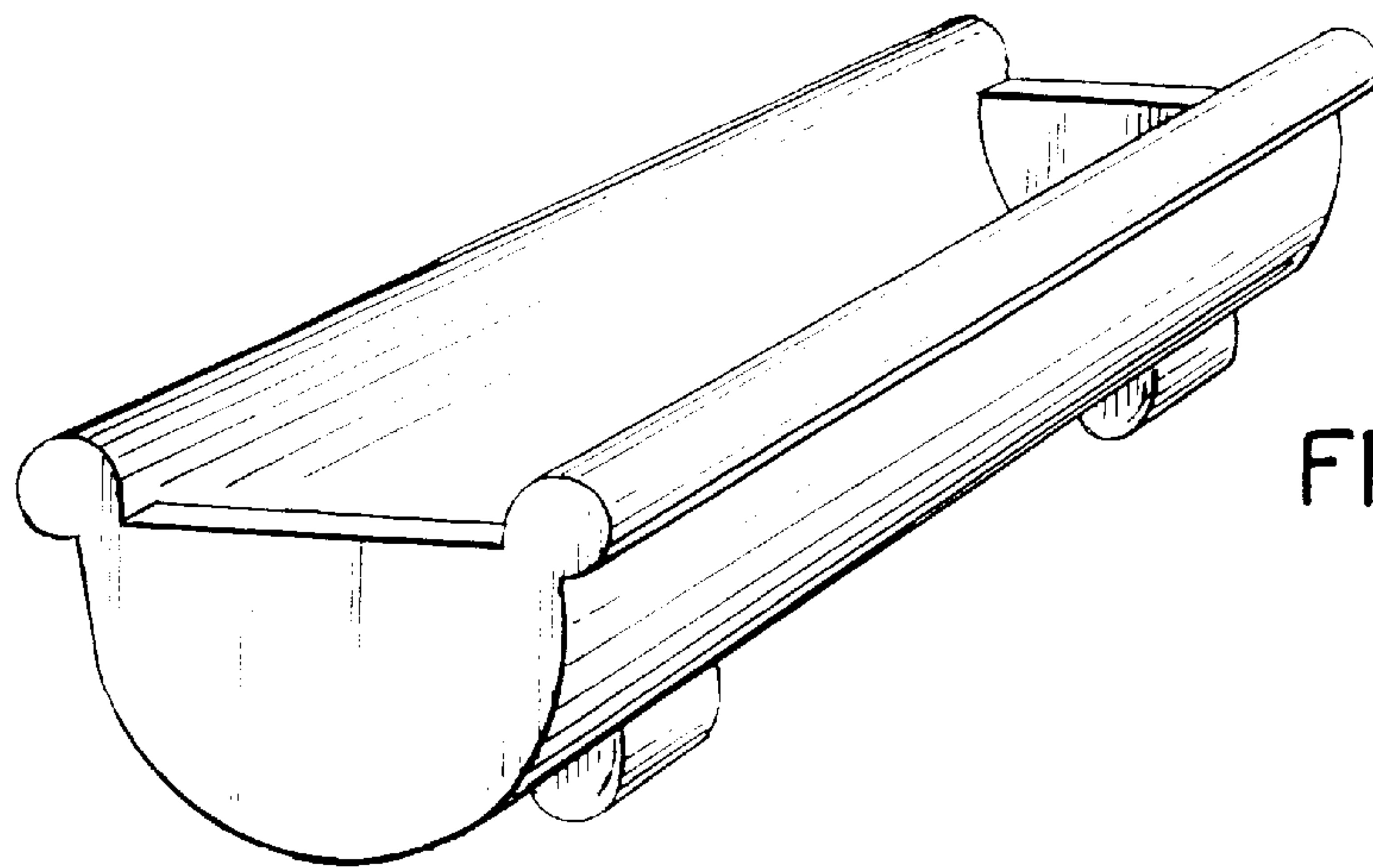


FIG. 1

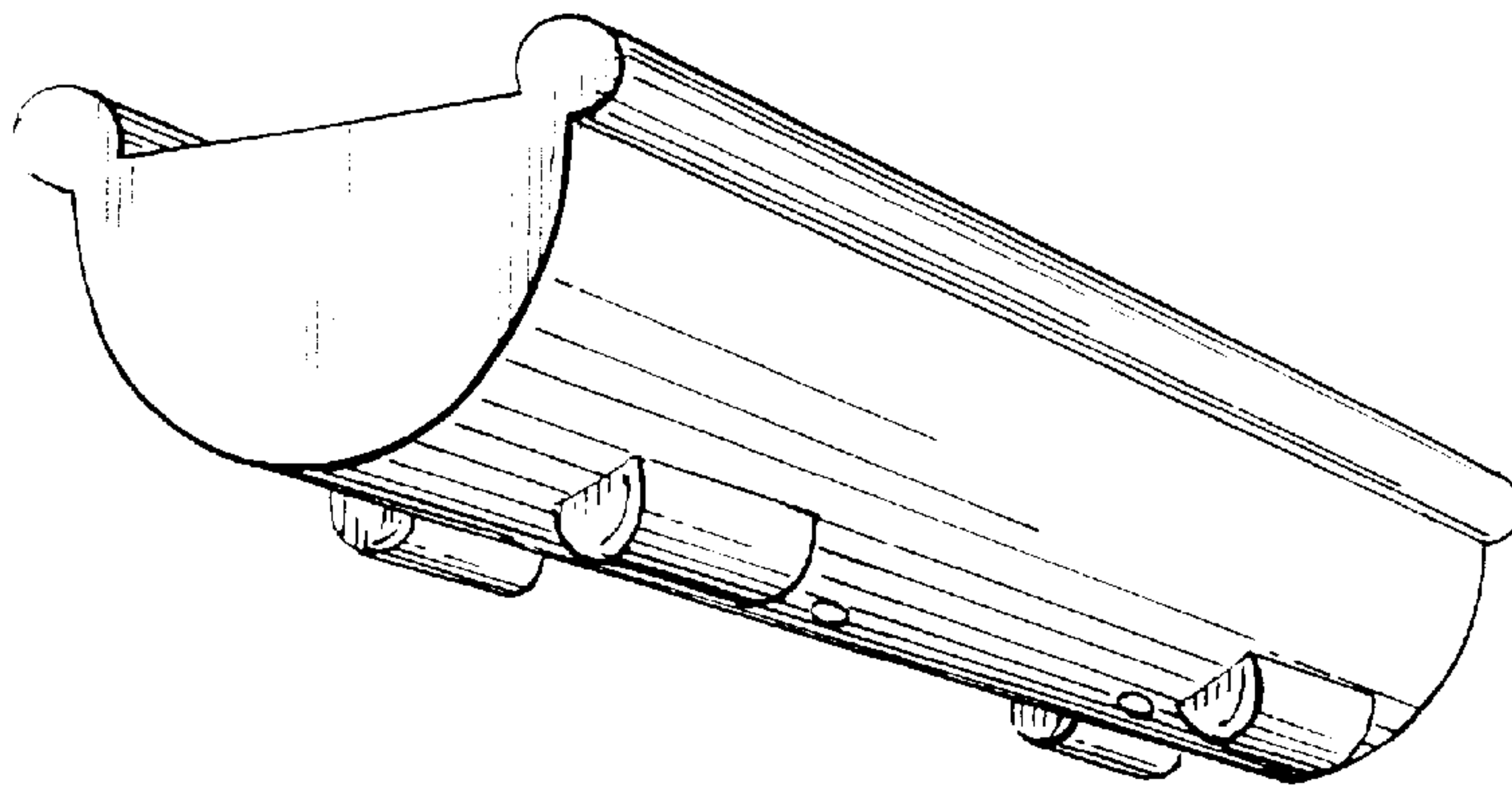


FIG. 2

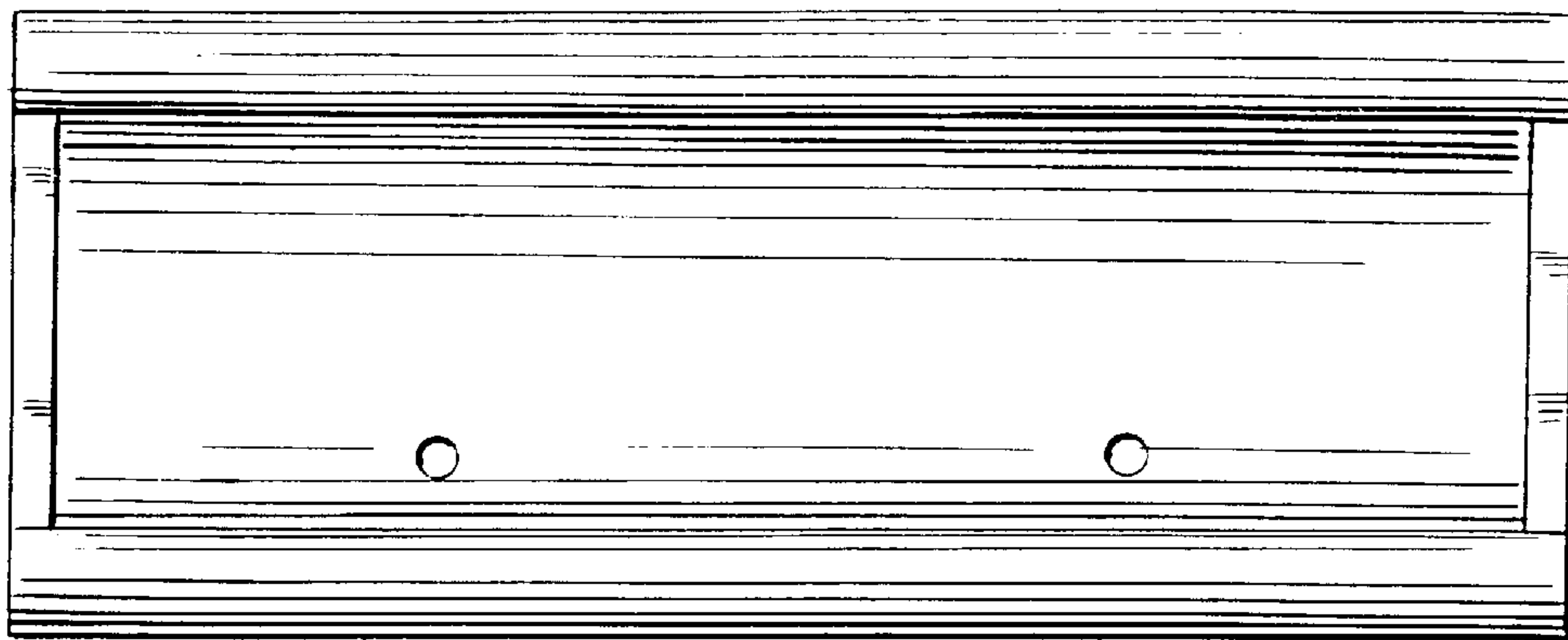


FIG. 3

8→

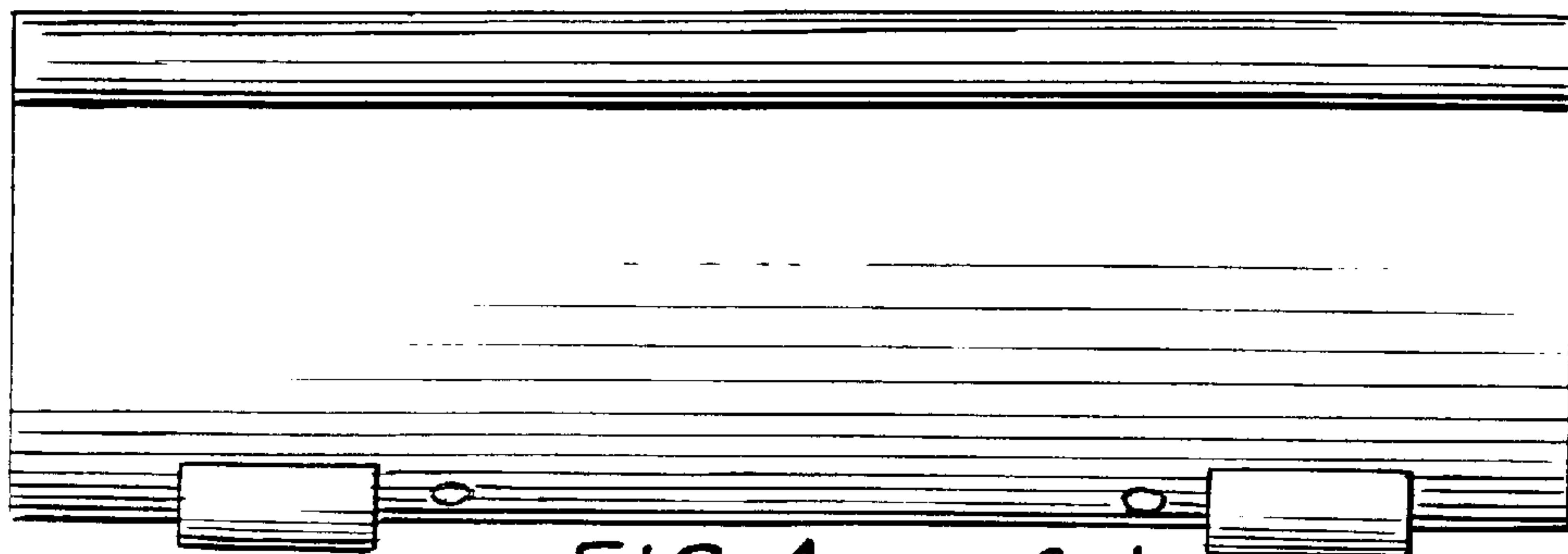


FIG. 4

8→

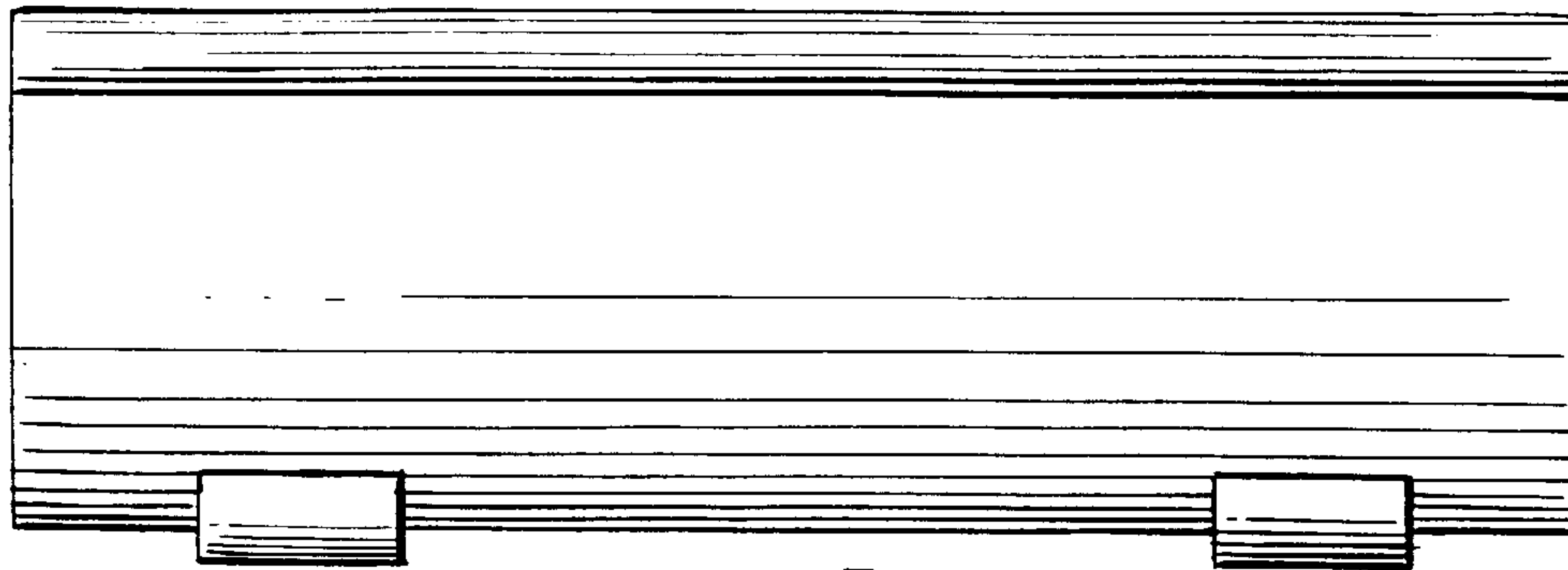


FIG. 5

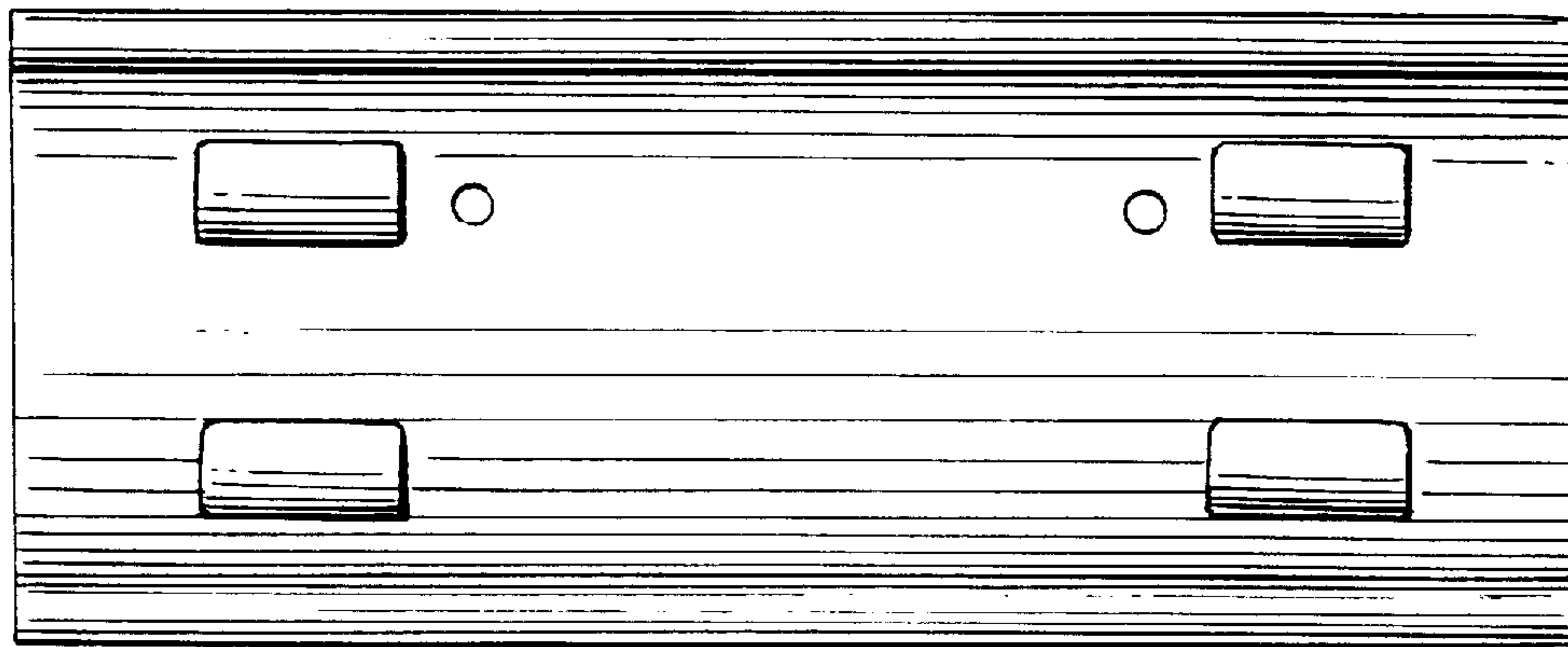


FIG. 6

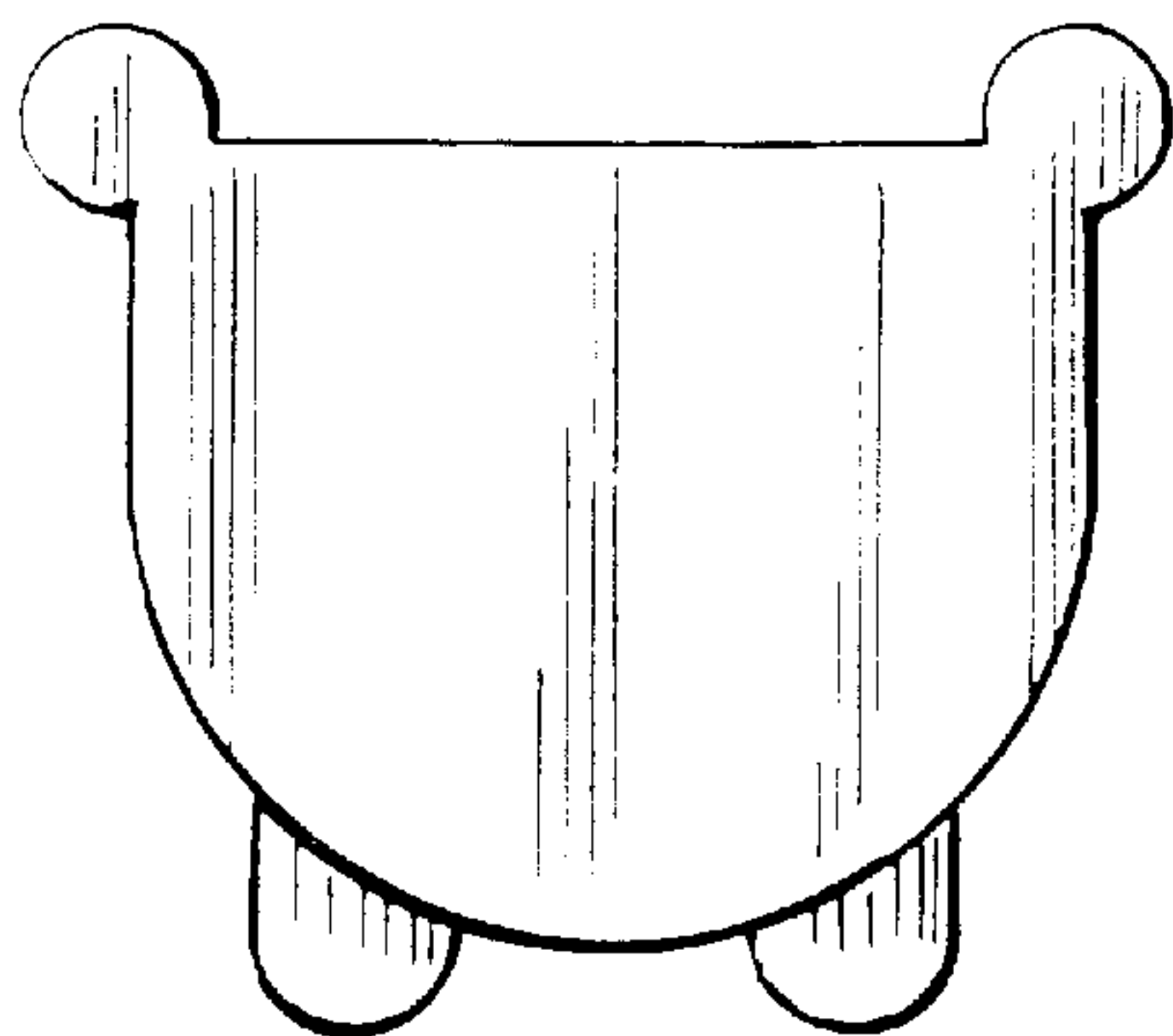


FIG. 7

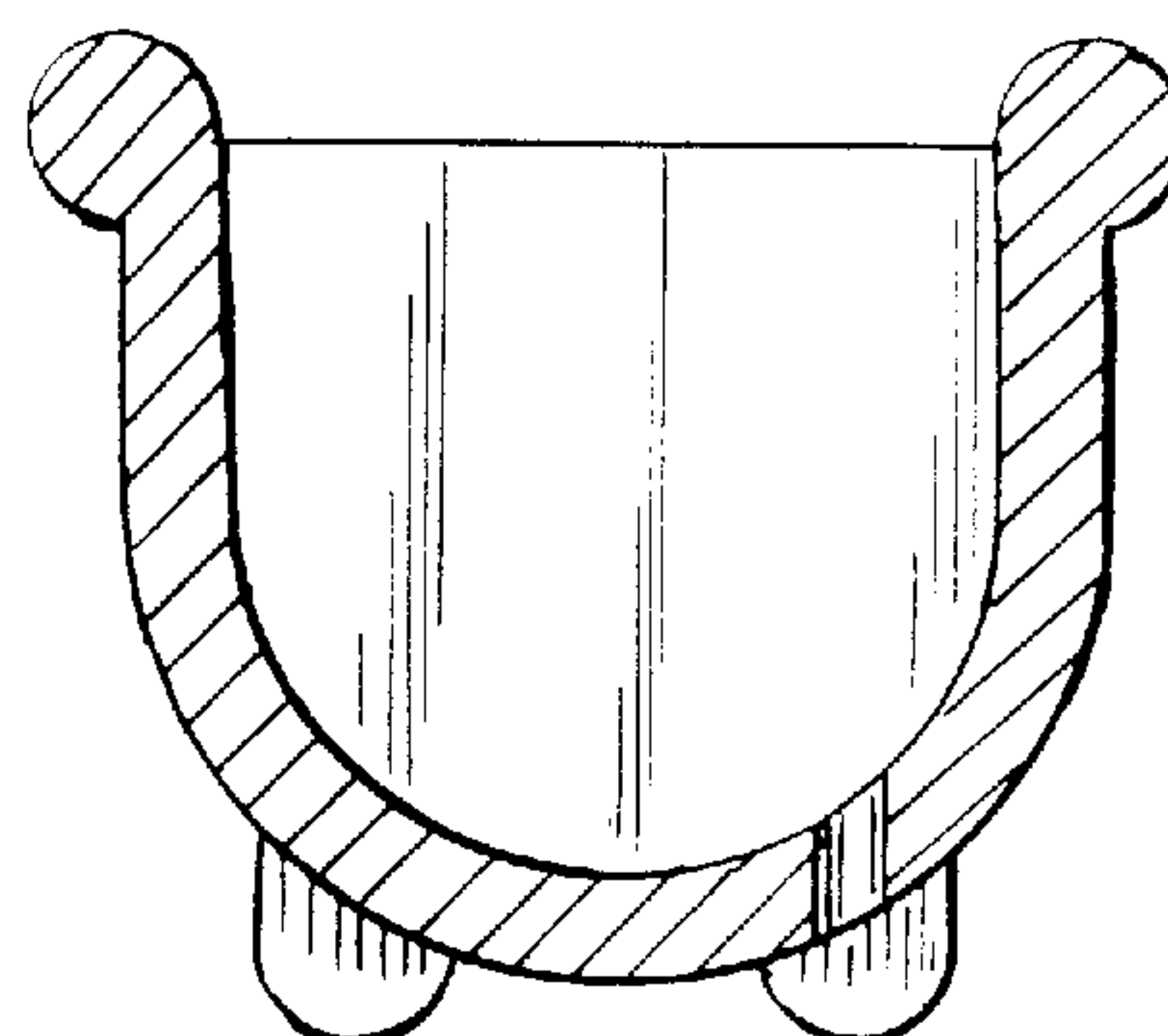


FIG. 8