



US00D395615S

United States Patent [19]
Lin

[11] **Patent Number: Des. 395,615**

[45] **Date of Patent: **Jun. 30, 1998**

[54] **RINGER FOR A BICYCLE**

DESCRIPTION

[76] Inventor: **Shen-Keng Lin**, No. 387-16, Fan-Hua Rd., Hsiu-Shui Hsiang, Changhua Hsien, Taiwan

[**] Term: **14 Years**

[21] Appl. No.: **67,570**

[22] Filed: **Mar. 10, 1997**

[51] **LOC (6) Cl.** **10-05**

[52] **U.S. Cl.** **D10/116**

[58] **Field of Search** D10/104, 116, D10/118, 120, 121; 340/425.5, 427, 428, 432; 116/148-158

[56] **References Cited**

U.S. PATENT DOCUMENTS

D. 106,175	9/1937	Bevin	D10/116
D. 152,418	1/1949	Hill	D10/116
D. 202,672	10/1965	Winkhaus	D10/116
D. 237,952	12/1975	Nakada	D10/116
D. 240,516	7/1976	Saiton	D10/116
D. 316,055	4/1991	Rixen	D10/116
D. 316,379	4/1991	Labas	.	
D. 360,159	7/1995	Moore	D10/116
D. 369,985	5/1996	Kehler	.	

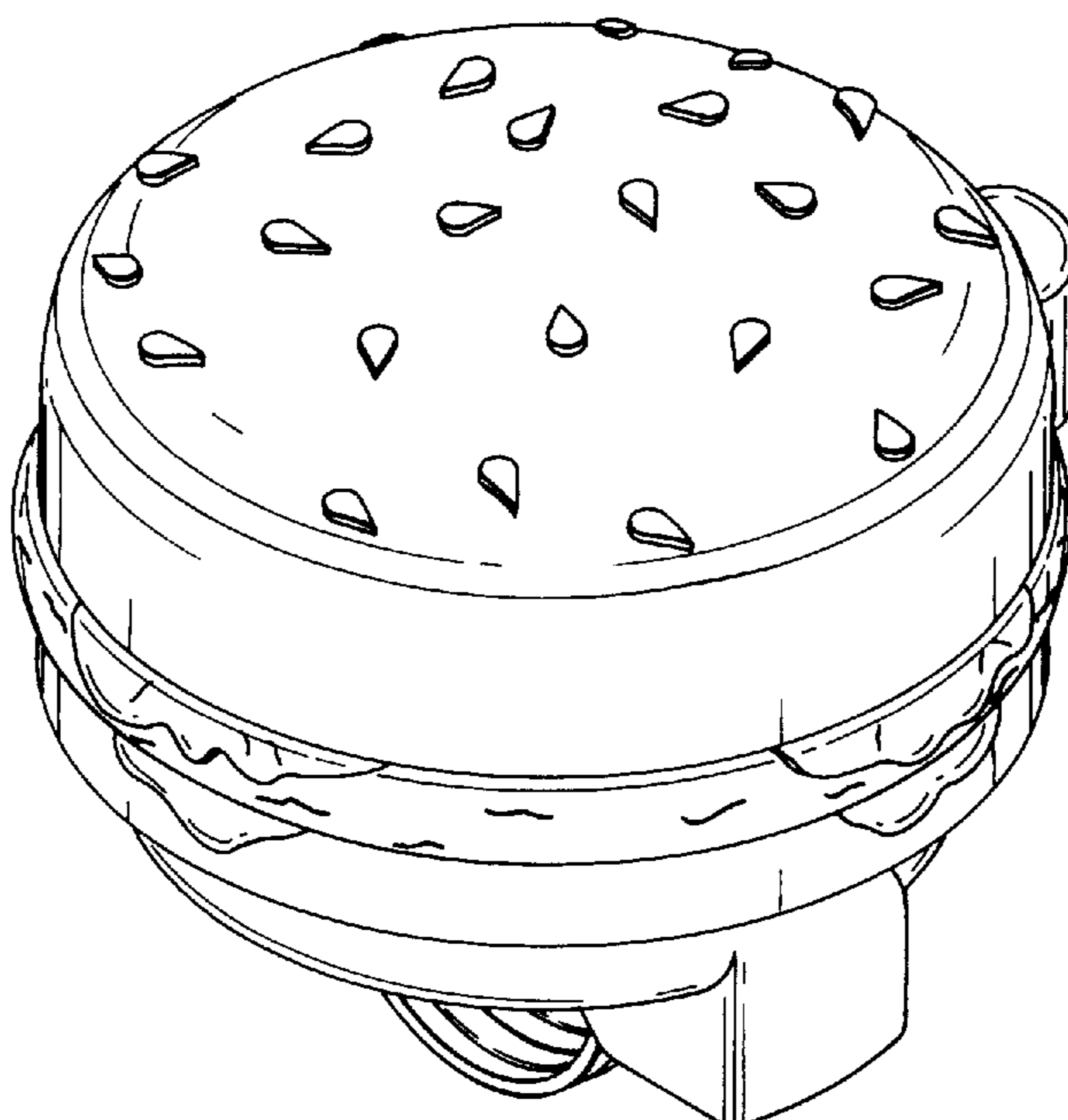
Primary Examiner—Marcus A. Jackson
Attorney, Agent, or Firm—Baker & Botts, L.L.P.

[57] **CLAIM**

The ornamental design for ringer for a bicycle, as shown and described.

FIG. 1 is a perspective view of ringer for a bicycle my new design;
 FIG. 2 is a front elevational view thereof;
 FIG. 3 is a rear elevational view thereof;
 FIG. 4 is a left side elevational view thereof;
 FIG. 5 is a right side elevational view thereof;
 FIG. 6 is a top plan view thereof;
 FIG. 7 is a bottom plan view thereof;
 FIG. 8 is a perspective view of a second embodiment of that shown in FIG. 1;
 FIG. 9 is a front elevational view thereof;
 FIG. 10 is a rear elevational view thereof;
 FIG. 11 is a left side elevational view thereof;
 FIG. 12 is a right side elevational view thereof;
 FIG. 13 is a top plan view thereof;
 FIG. 14 is a bottom plan view thereof;
 FIG. 15 is a perspective view of a third embodiment of that shown in FIG. 1;
 FIG. 16 is a front elevational view thereof;
 FIG. 17 is a rear elevational view thereof;
 FIG. 18 is a left side elevational view thereof;
 FIG. 19 is a right side elevational view thereof;
 FIG. 20 is a top plan view thereof;
 FIG. 21 is a bottom plan view thereof;
 FIG. 22 is a perspective view of a fourth embodiment of that shown in FIG. 1 ;
 FIG. 23 is a front elevational view thereof;
 FIG. 24 is a rear elevational view thereof;
 FIG. 25 is a left side elevational view thereof;
 FIG. 26 is a right side elevational view thereof;
 FIG. 27 is a top plan view thereof; and,
 FIG. 28 is a bottom plan view thereof.

1 Claim, 16 Drawing Sheets



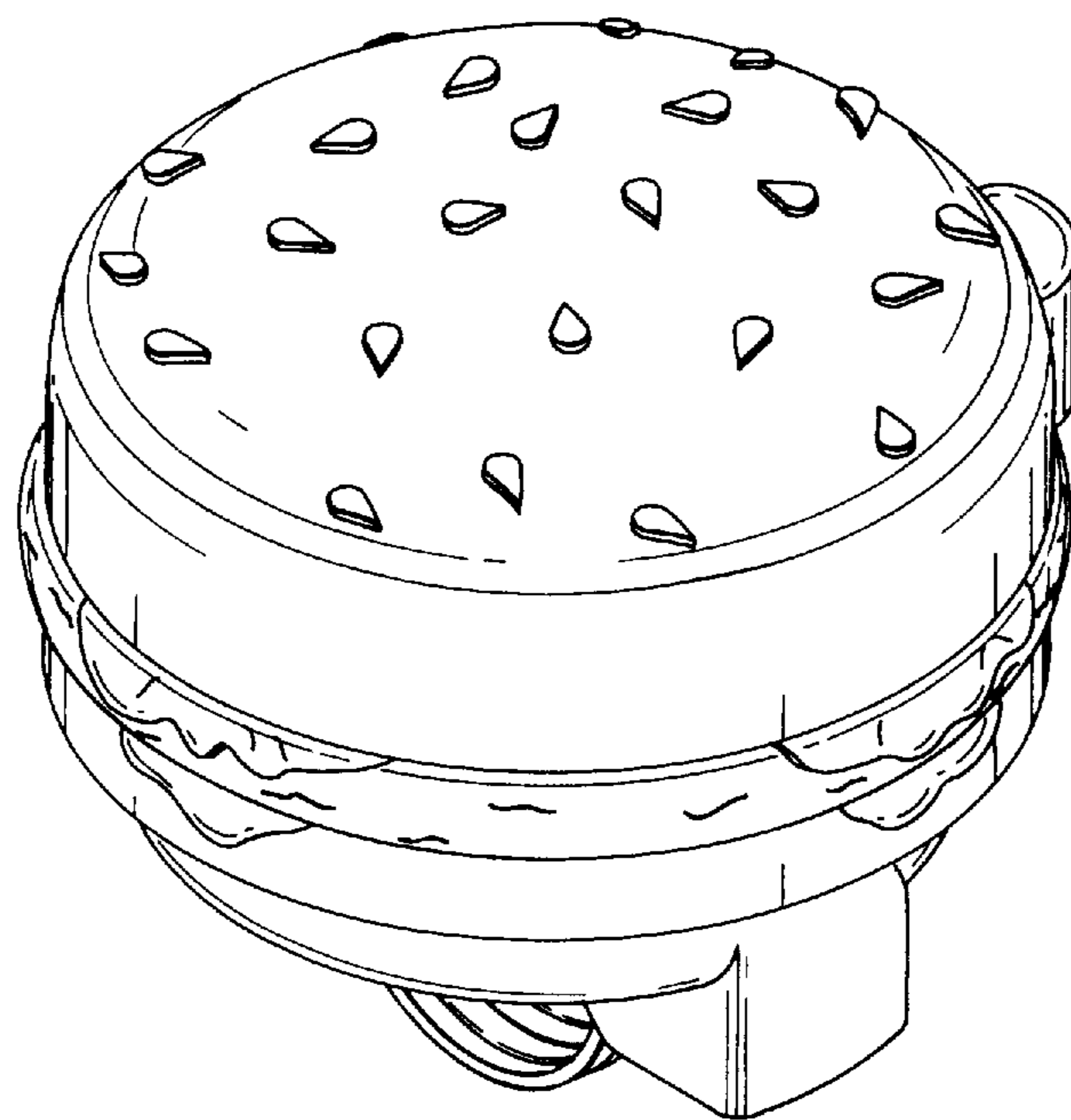


FIG. 1

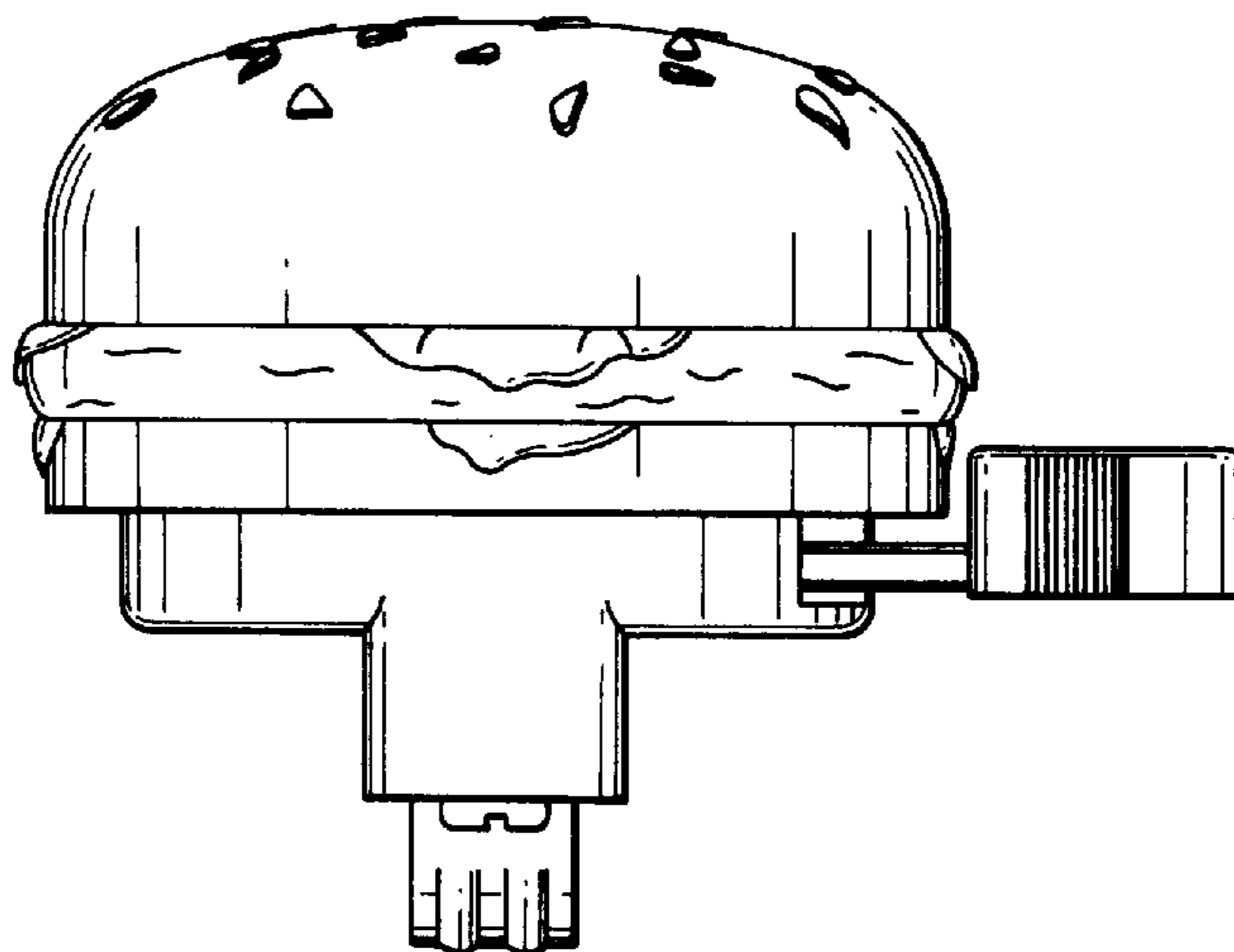


FIG. 2

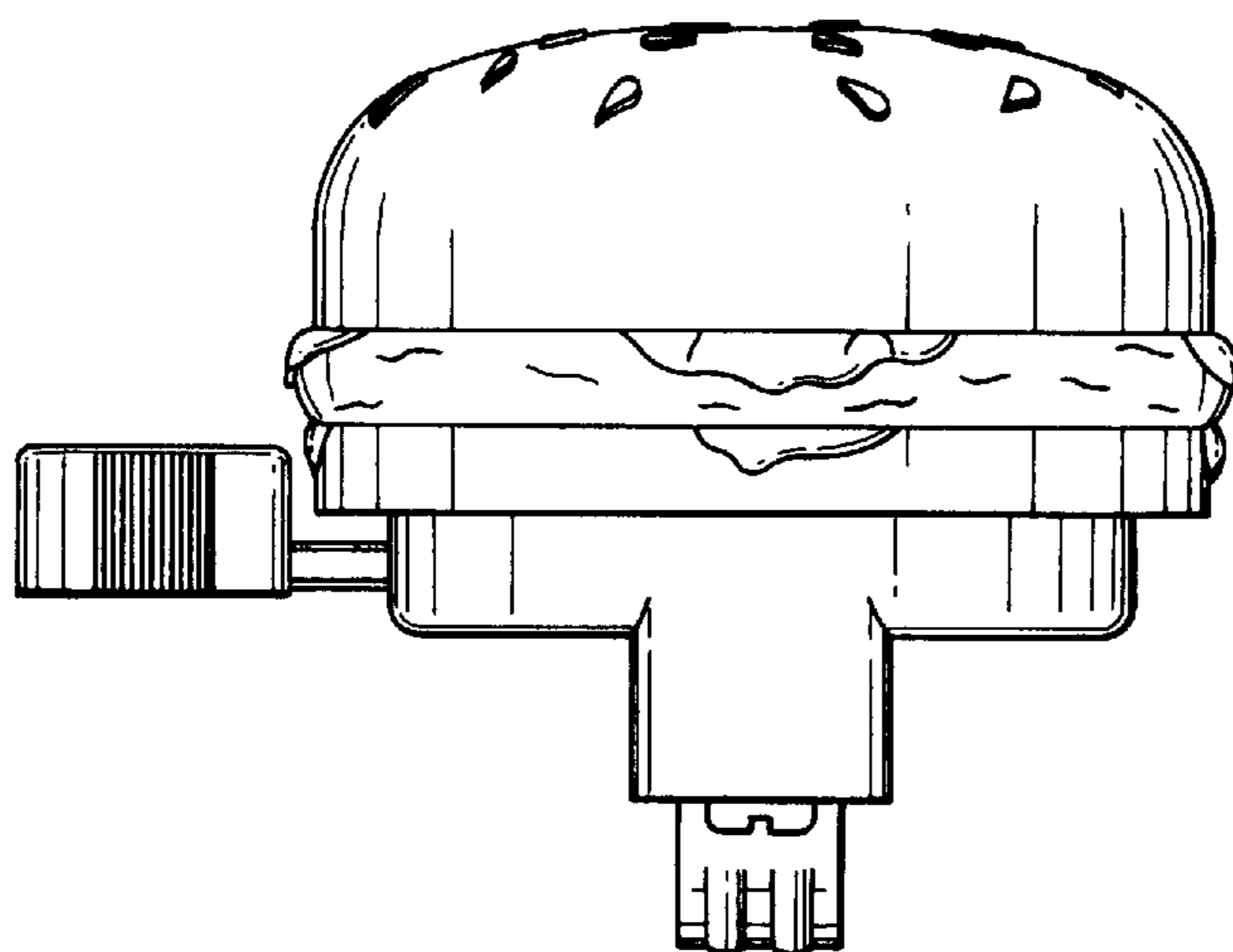


FIG. 3

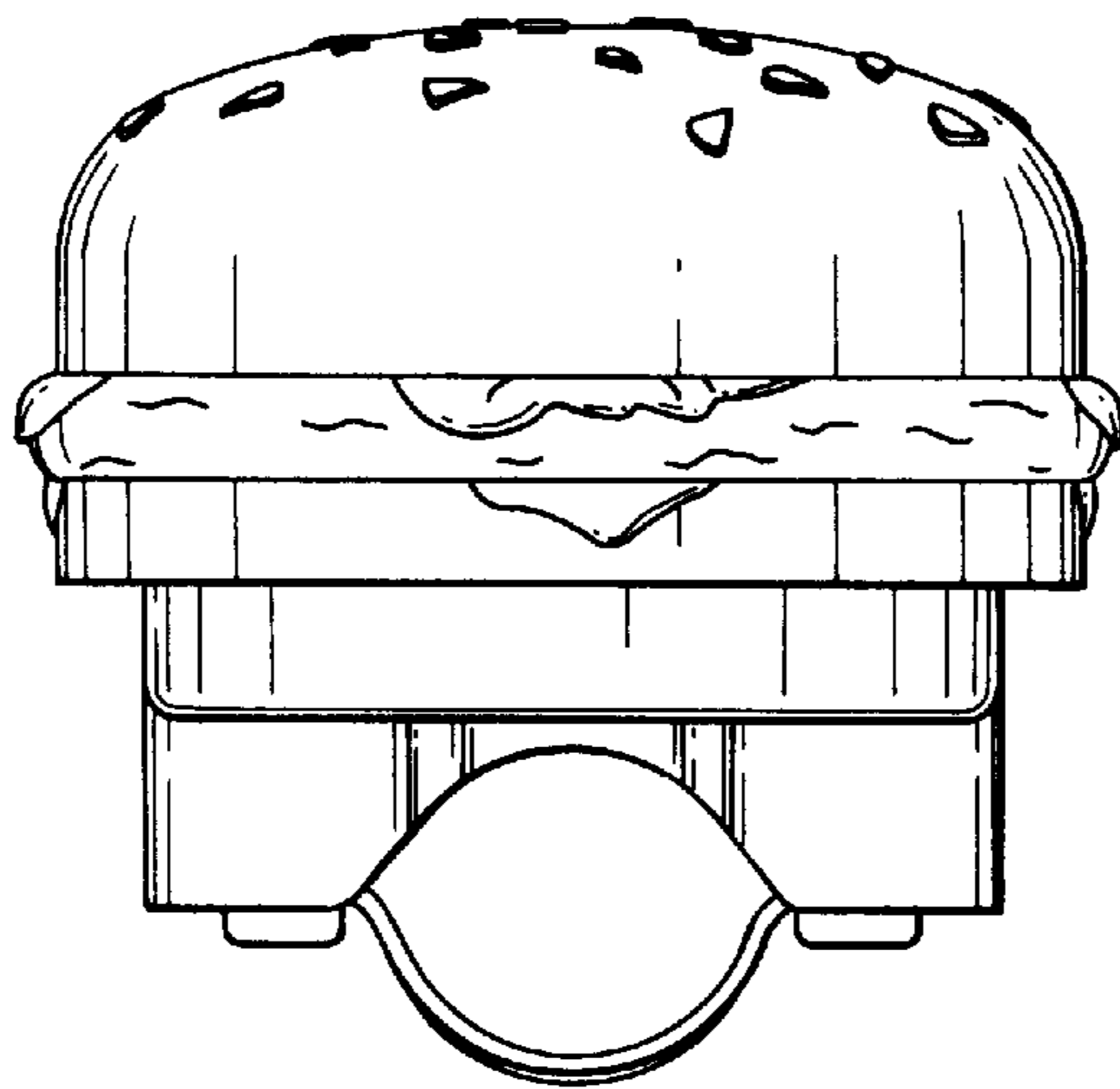


FIG. 4

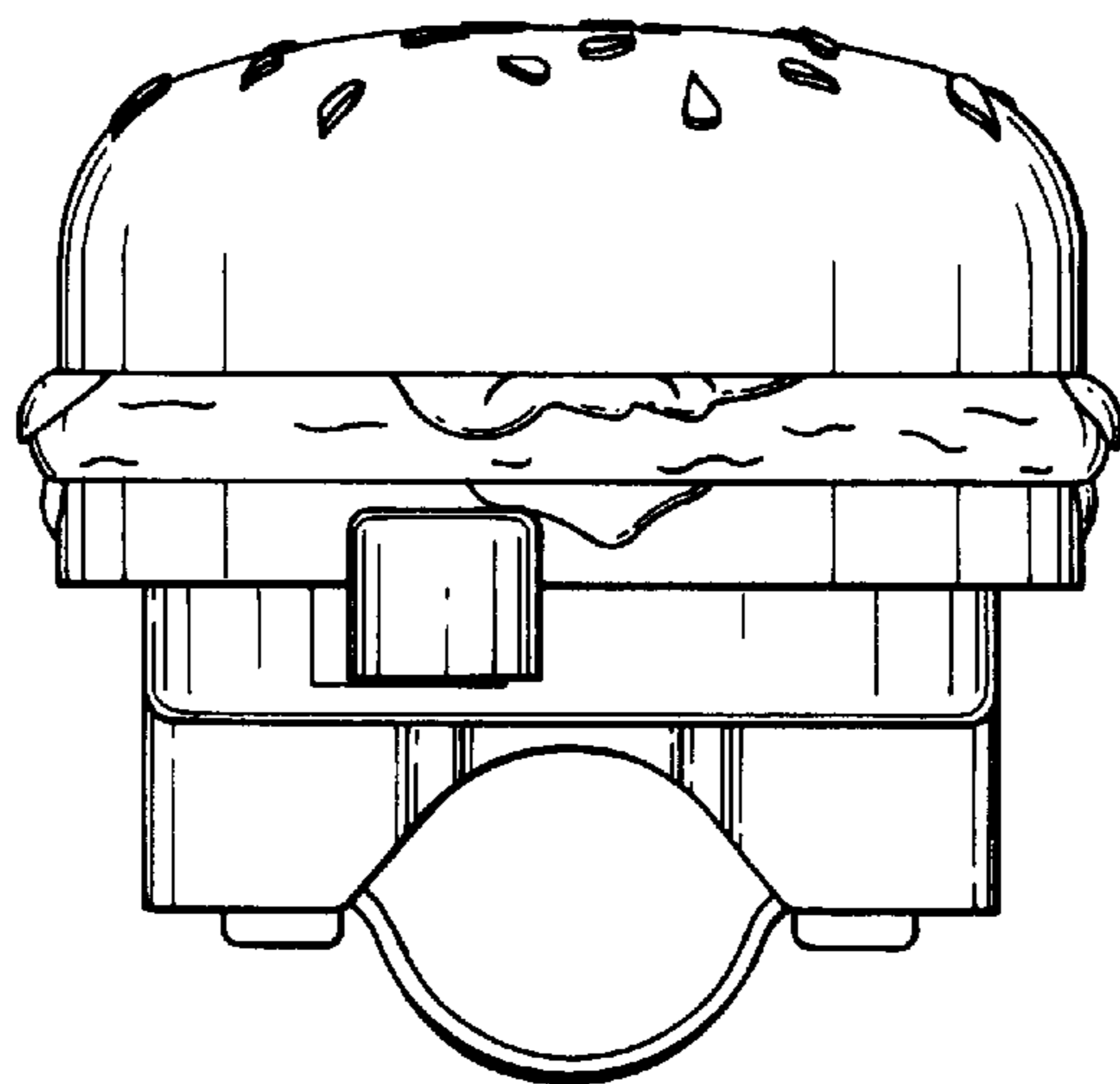


FIG. 5

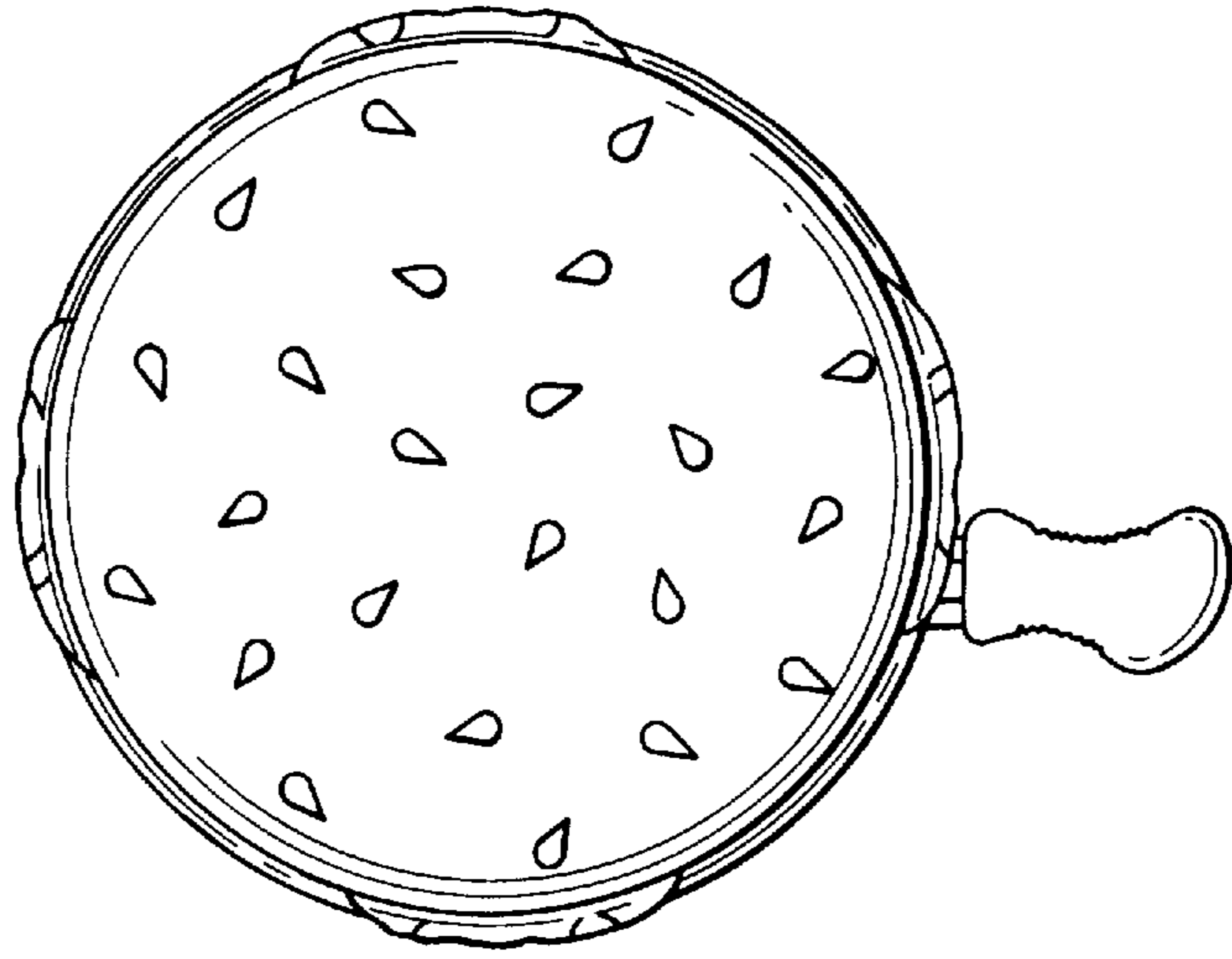


FIG. 6

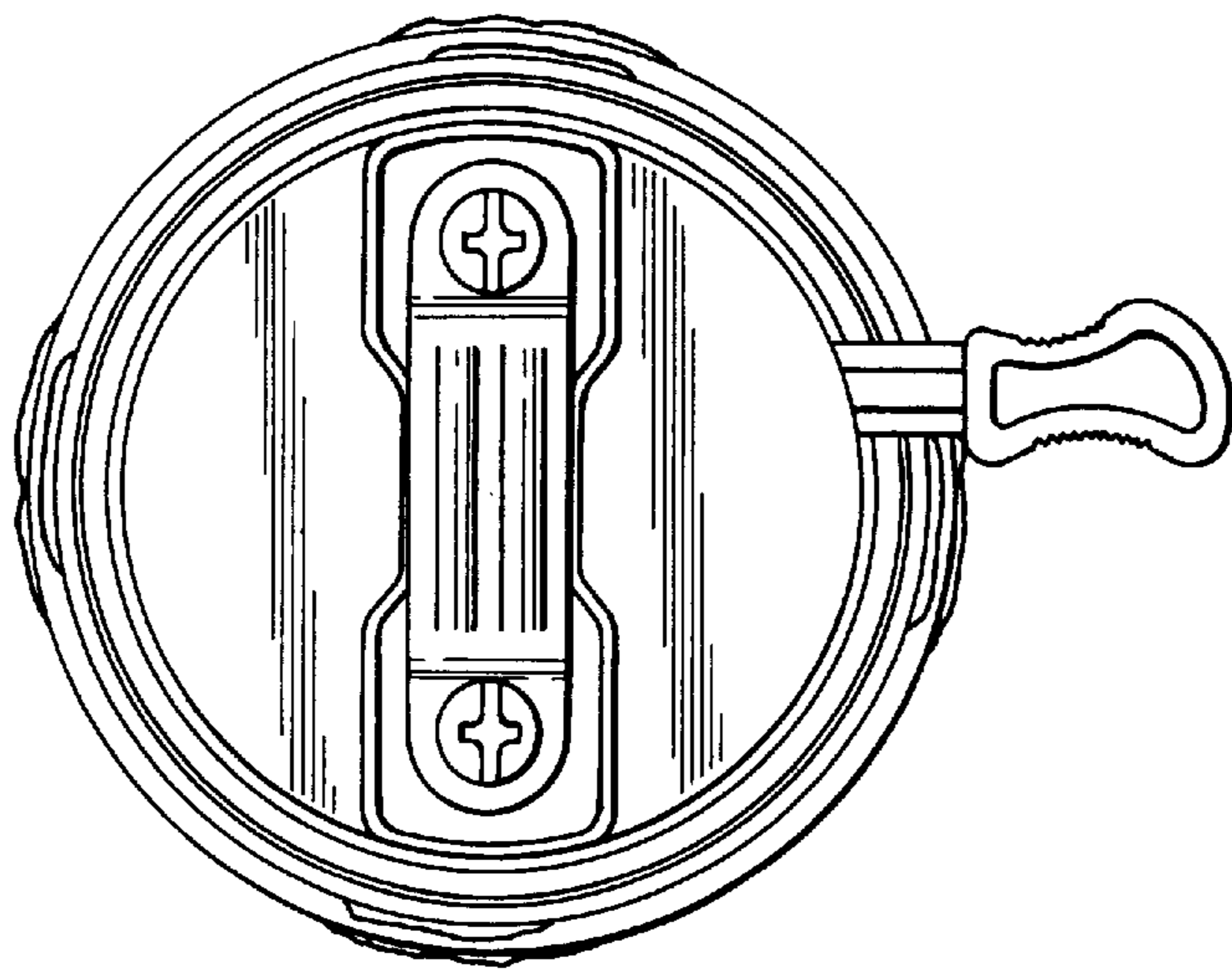


FIG. 7

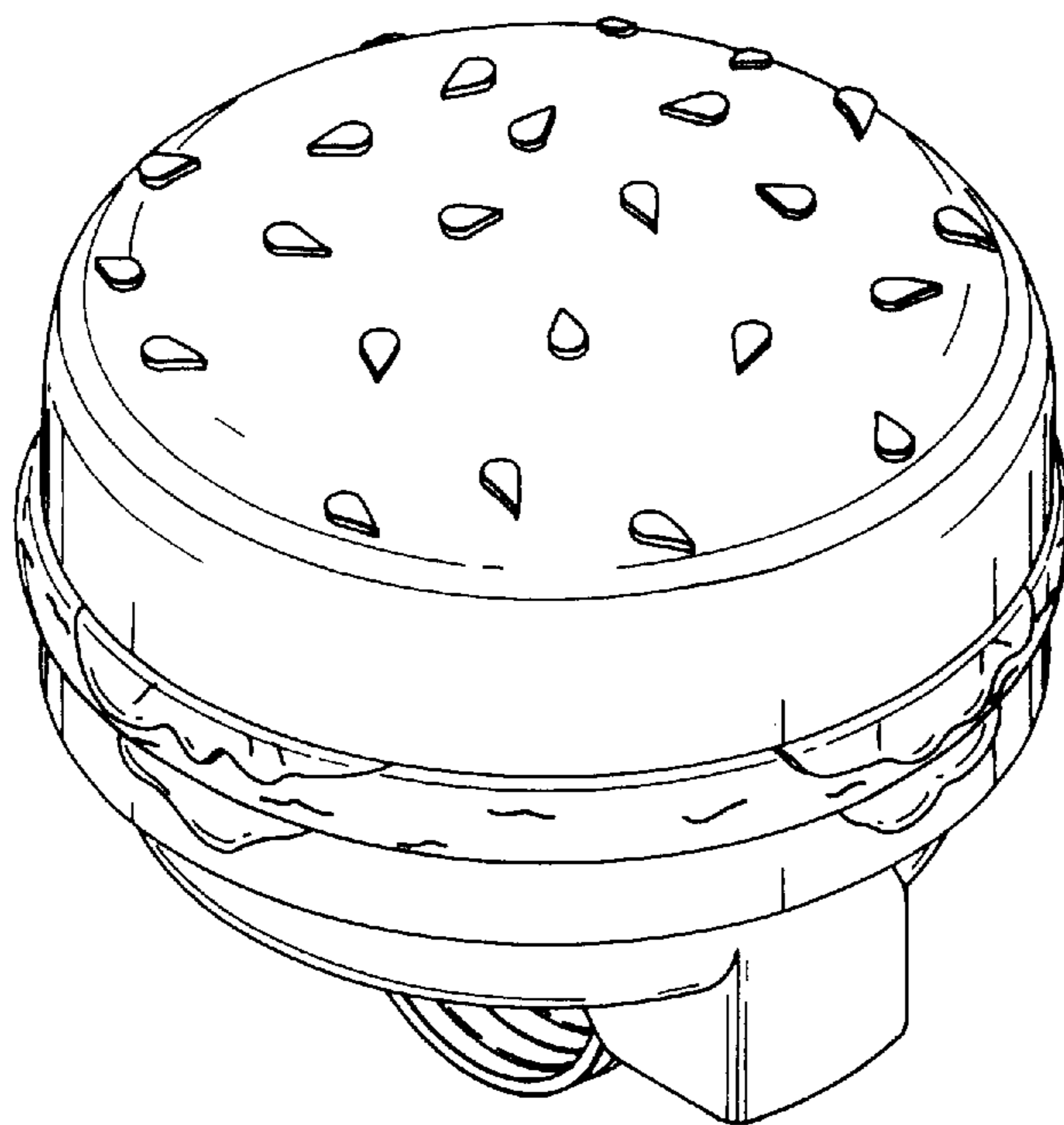


FIG. 8

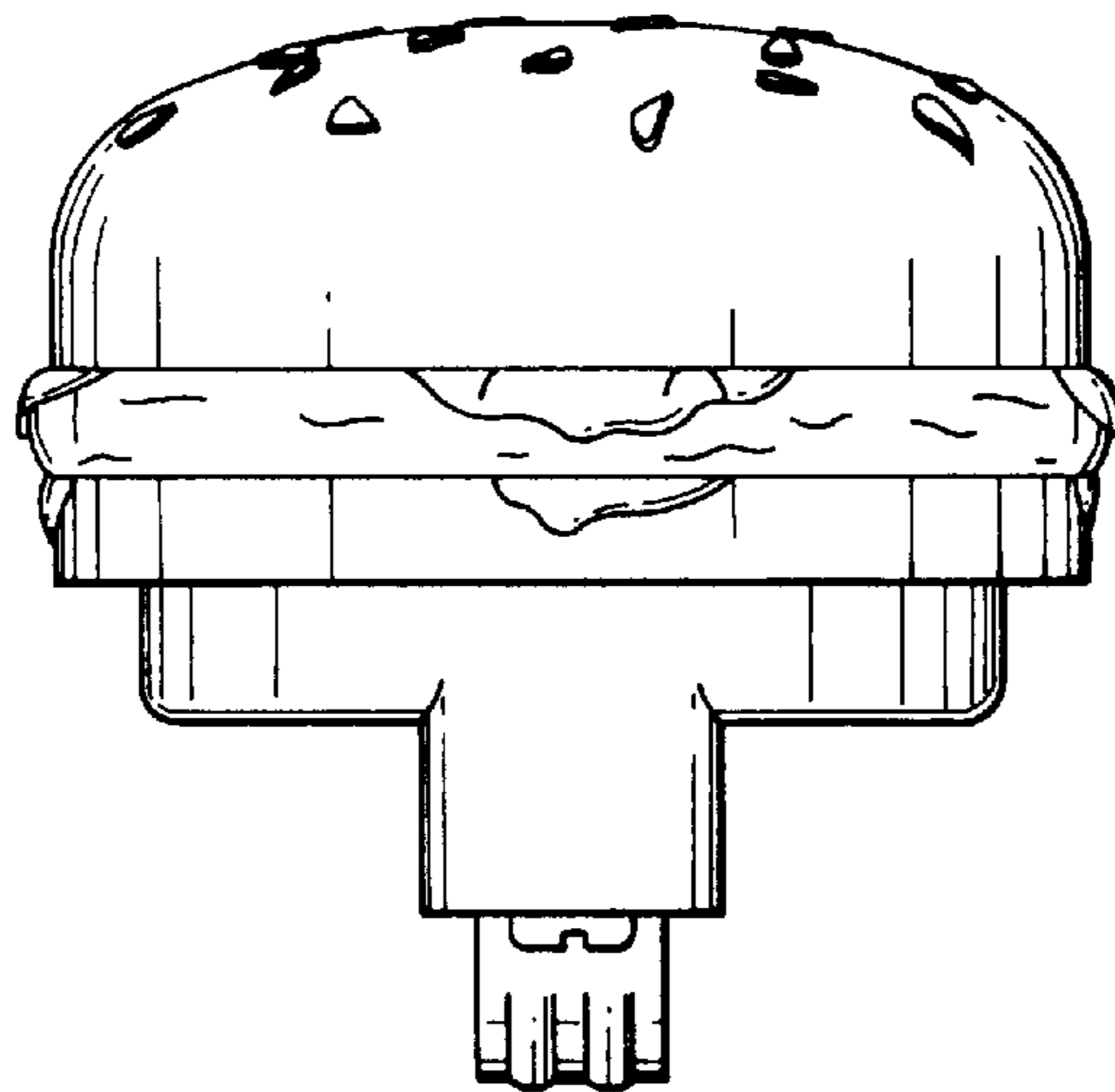


FIG. 9

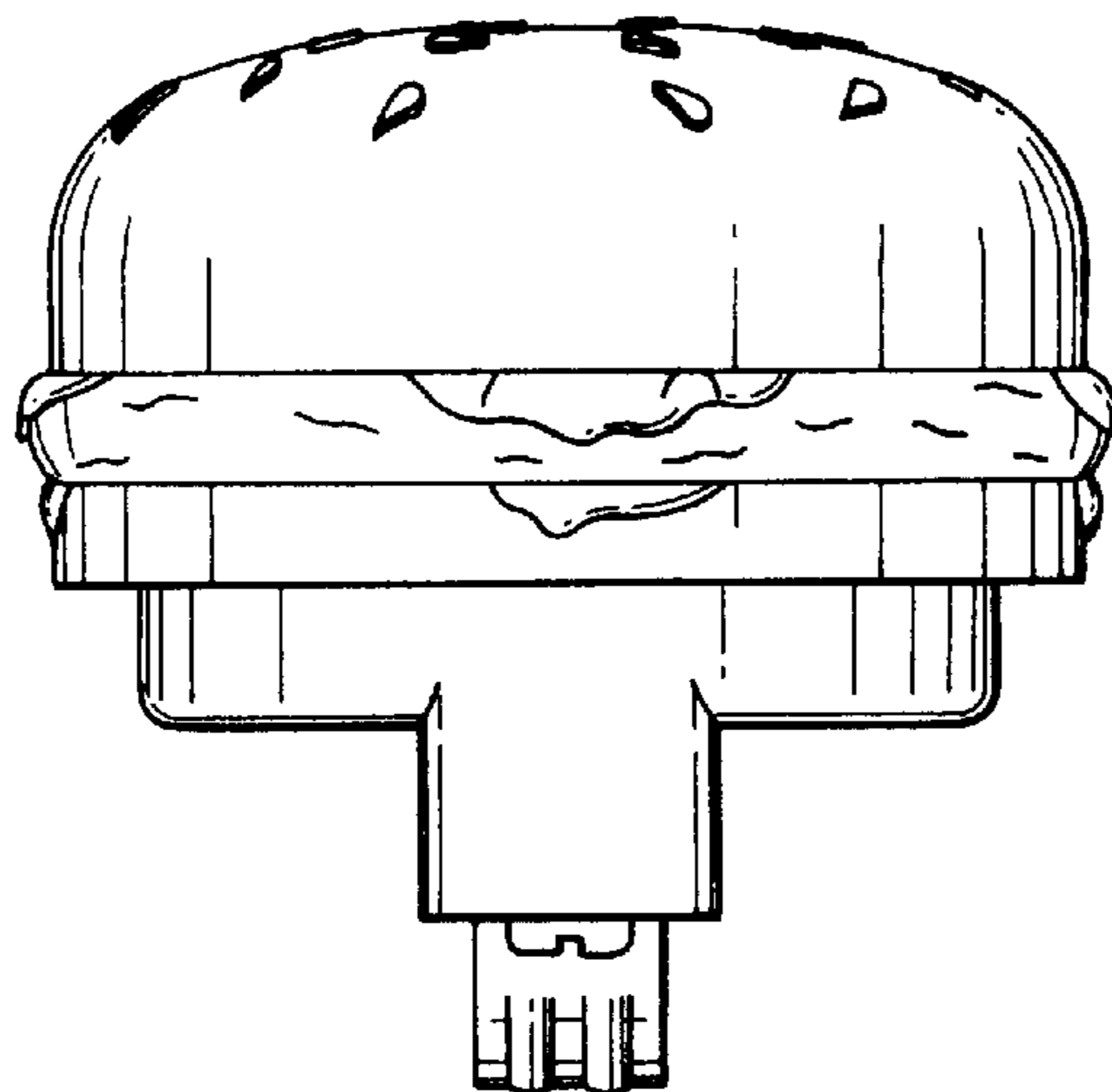


FIG. 10

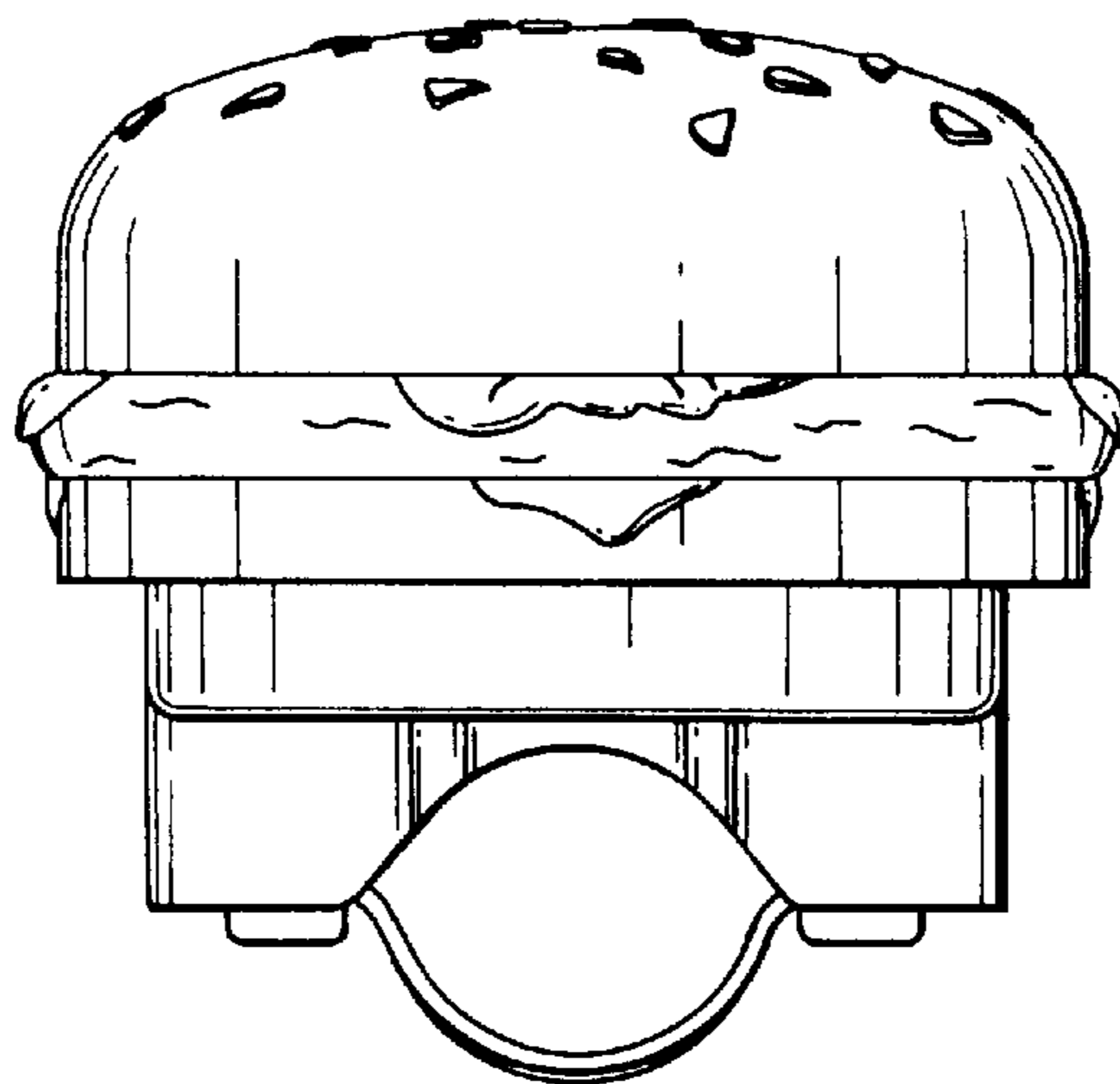


FIG. 11

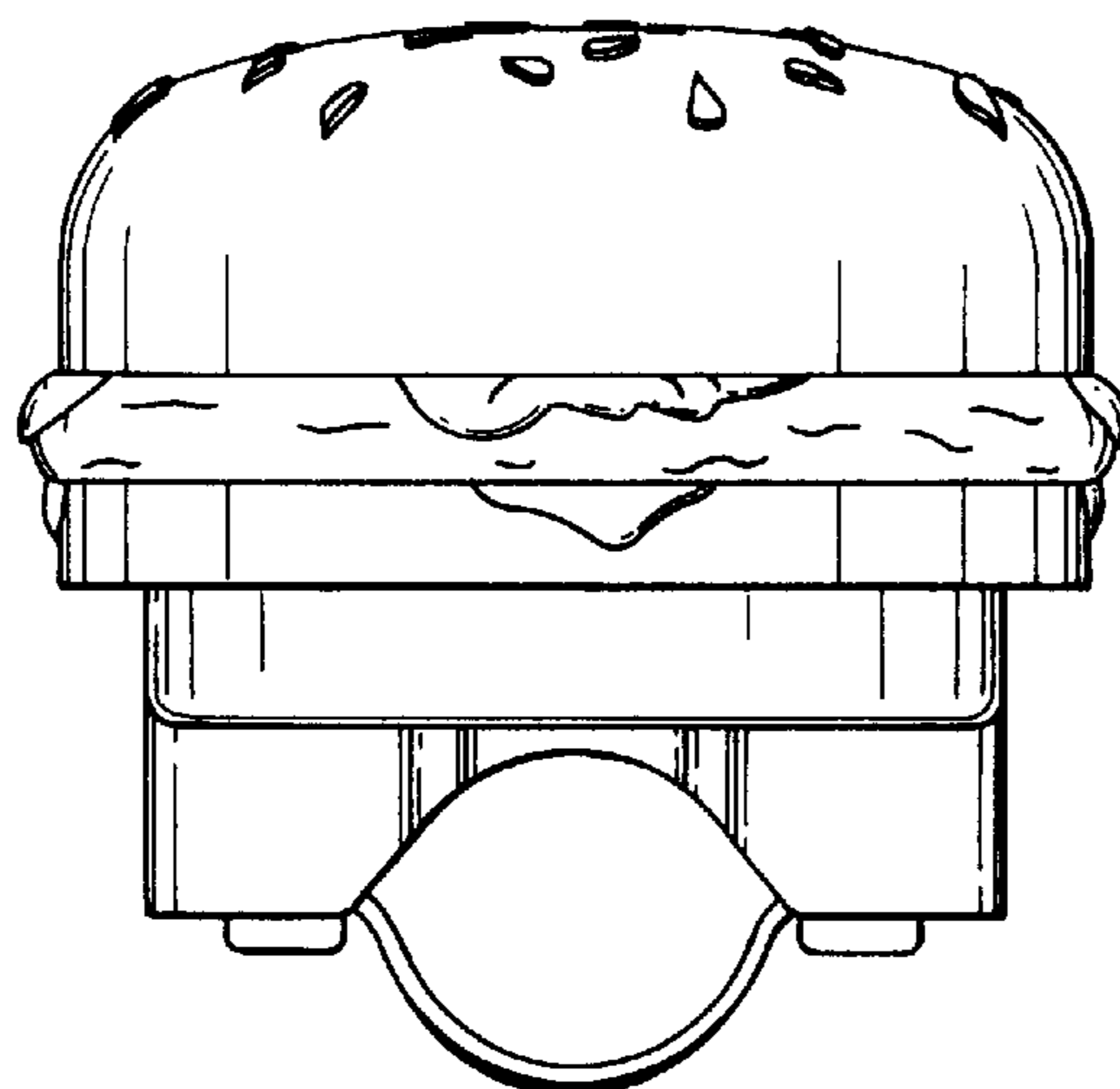


FIG. 12

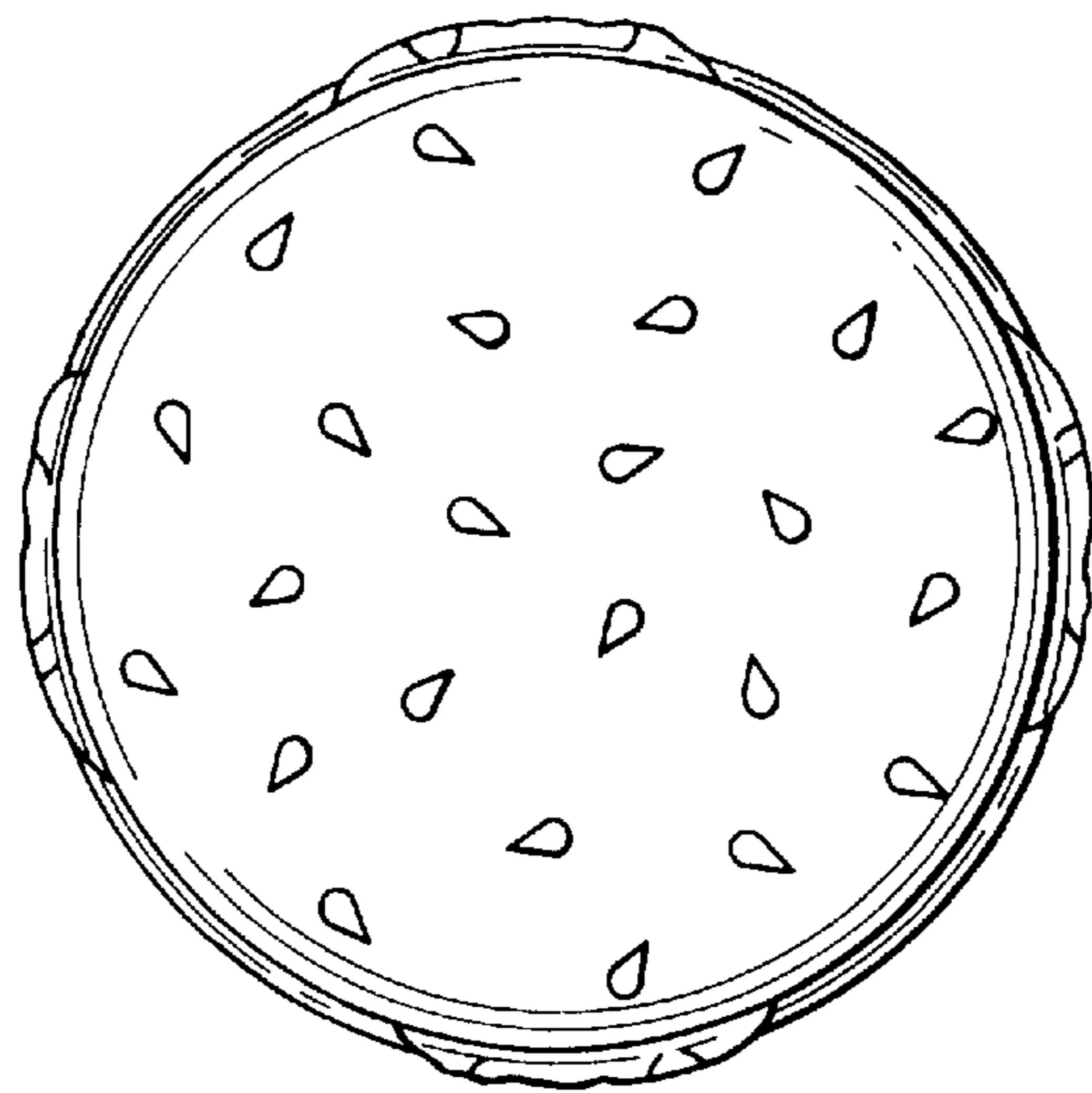


FIG. 13

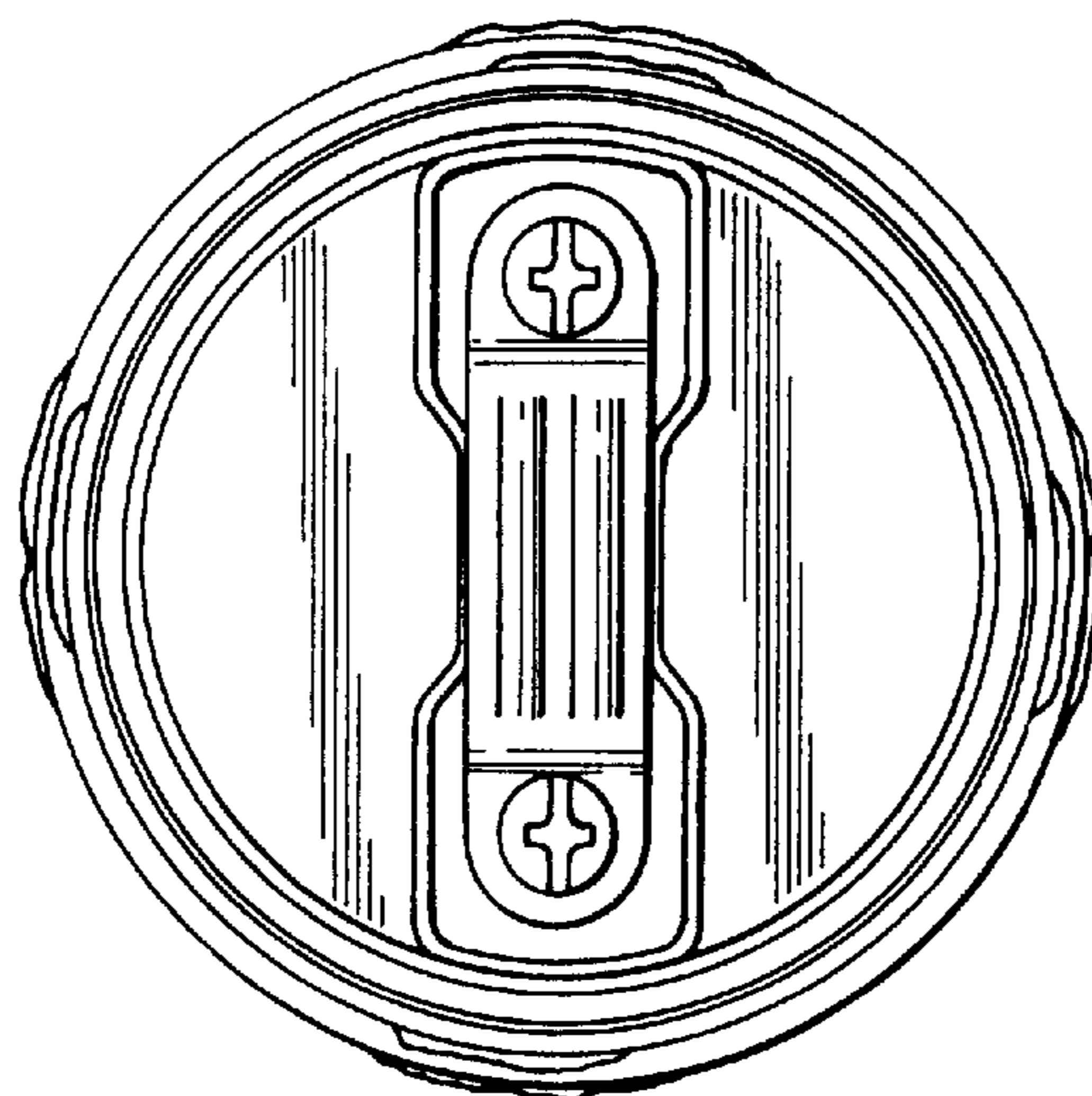


FIG. 14

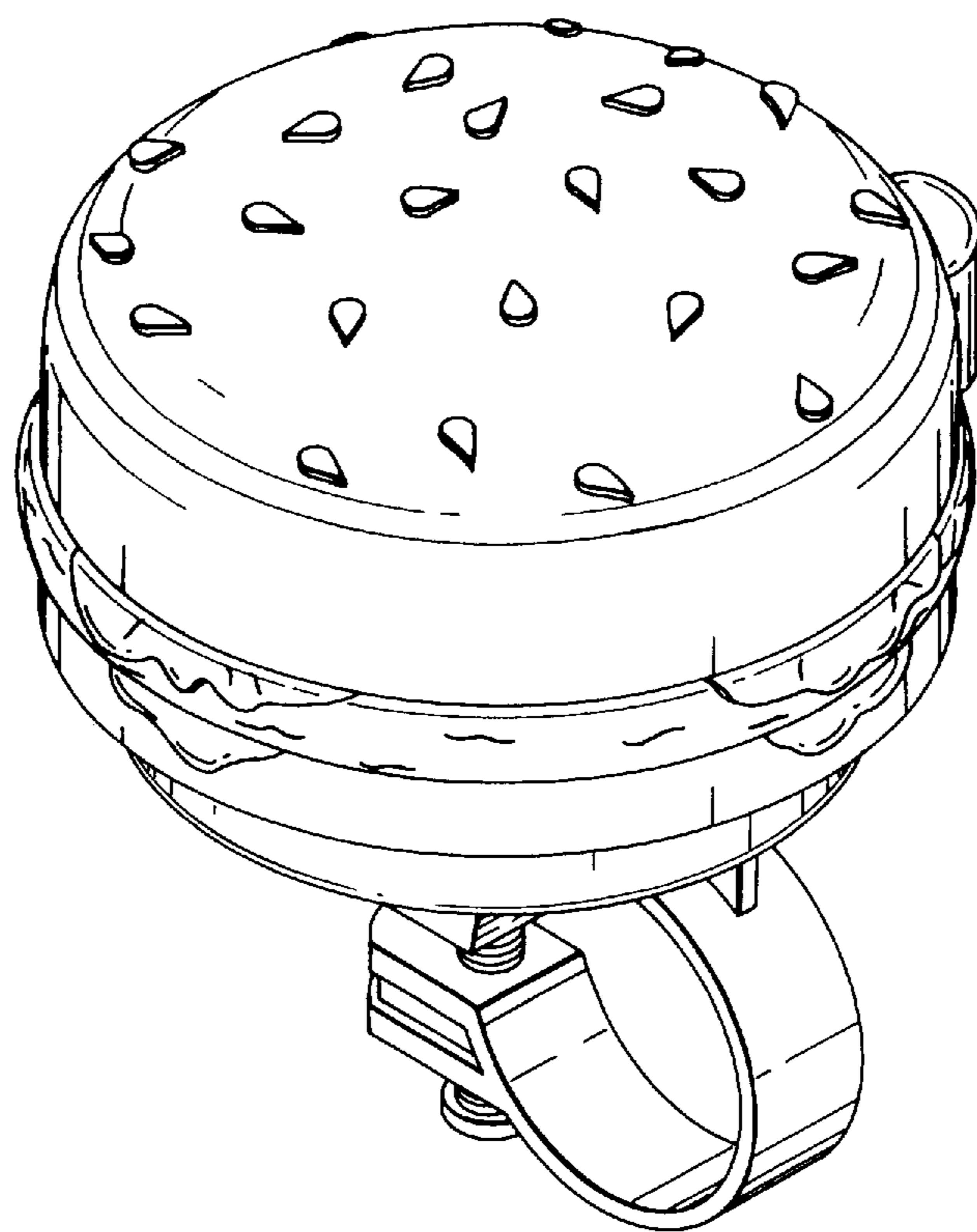


FIG. 15

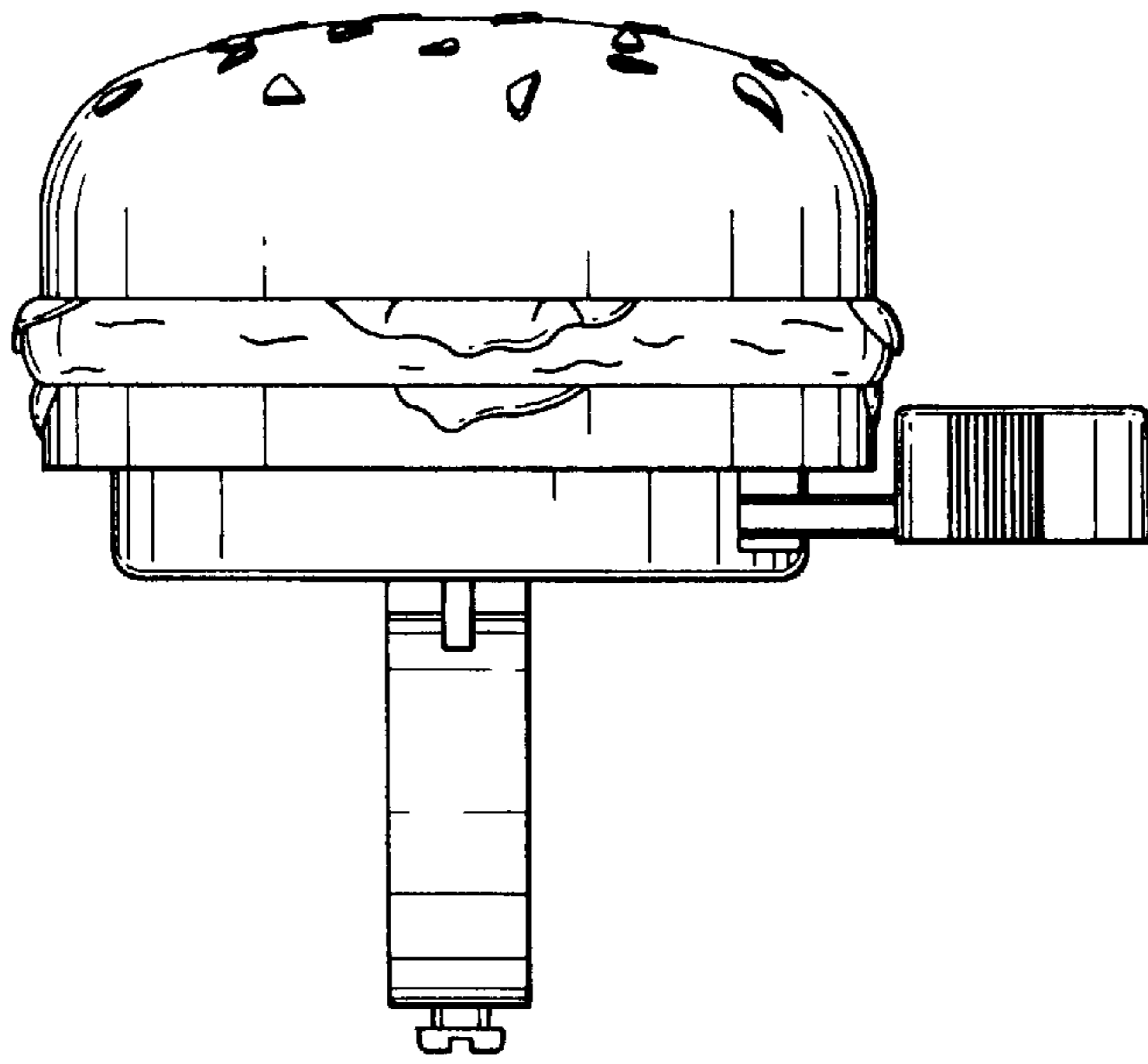


FIG. 16

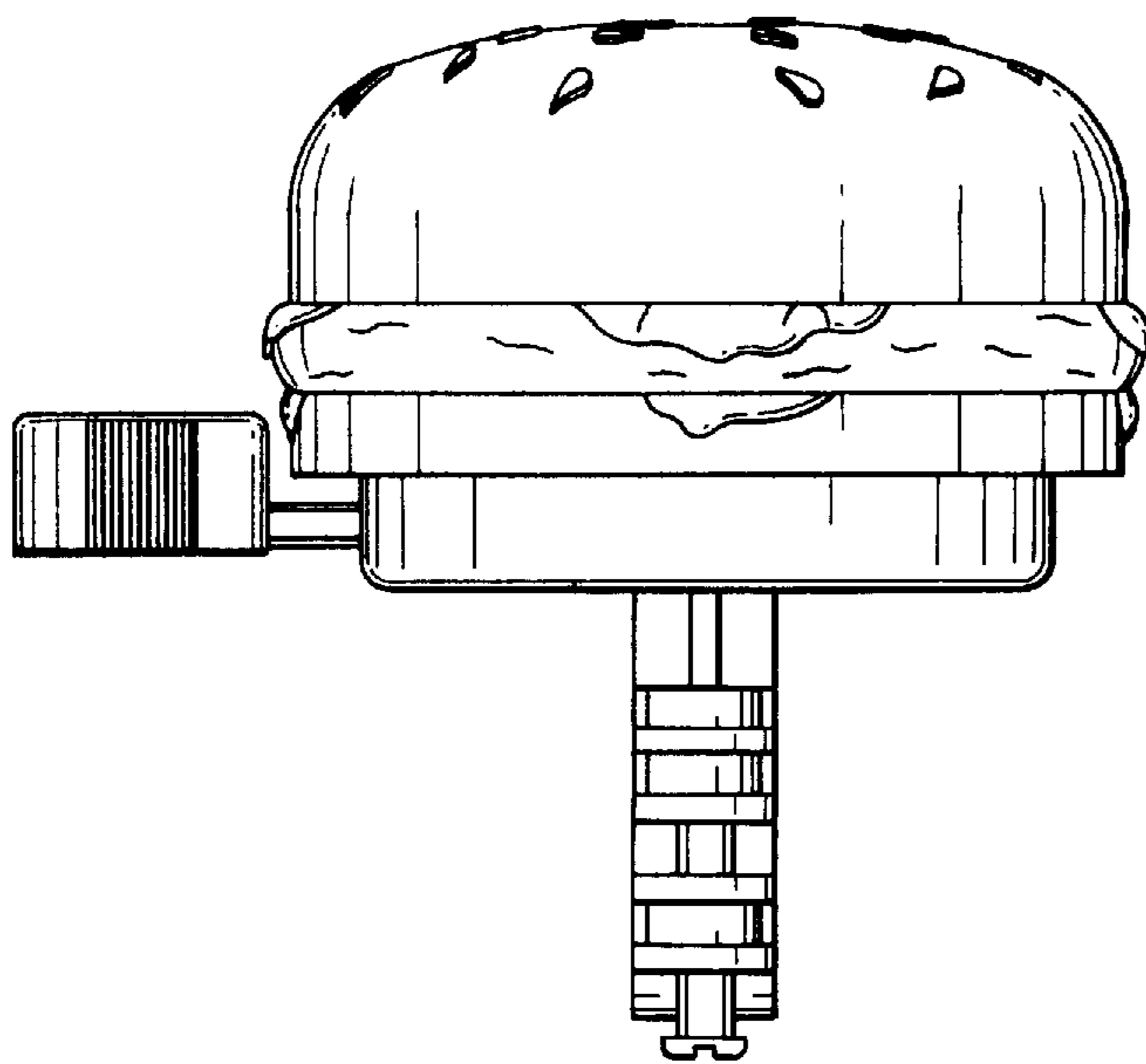


FIG. 17

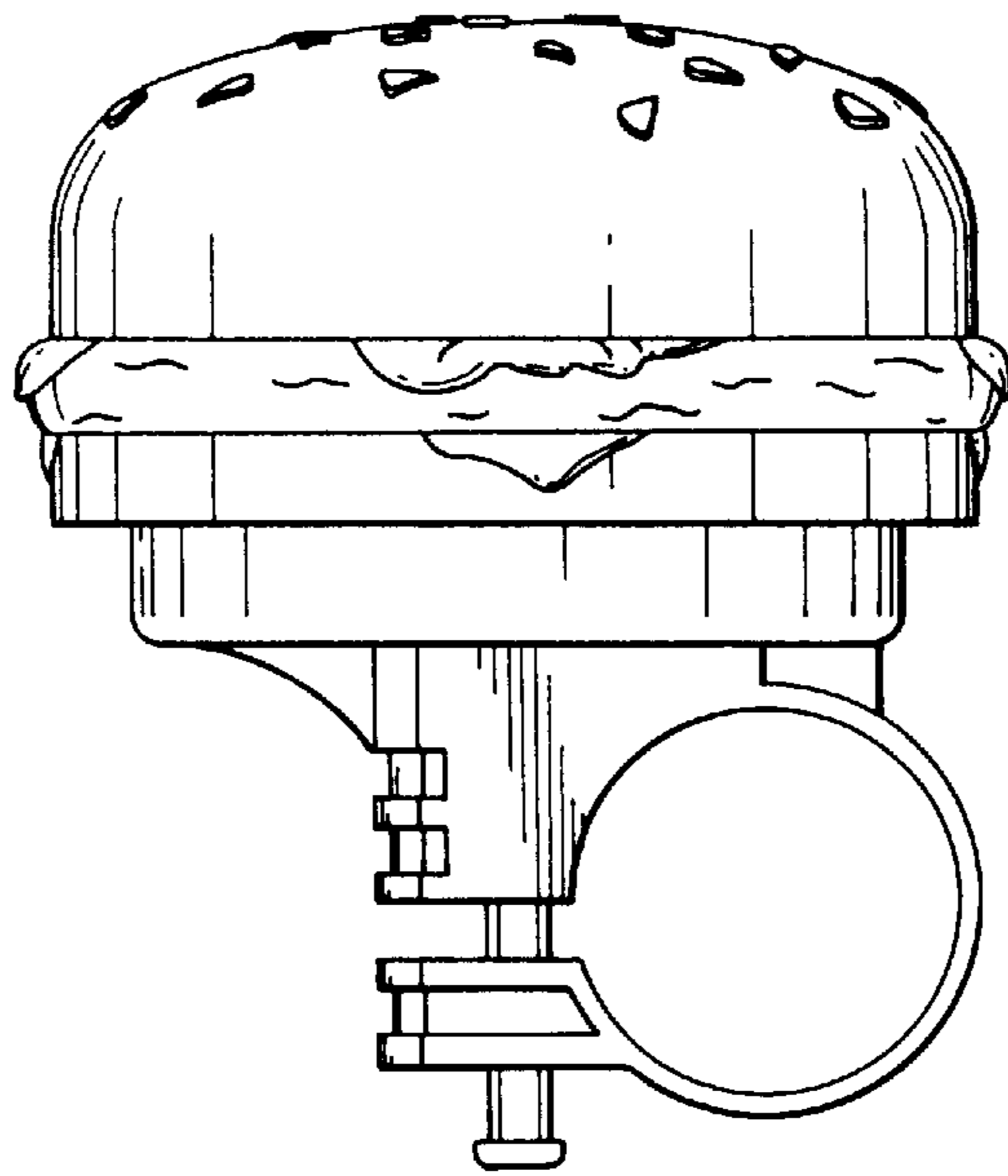


FIG. 18

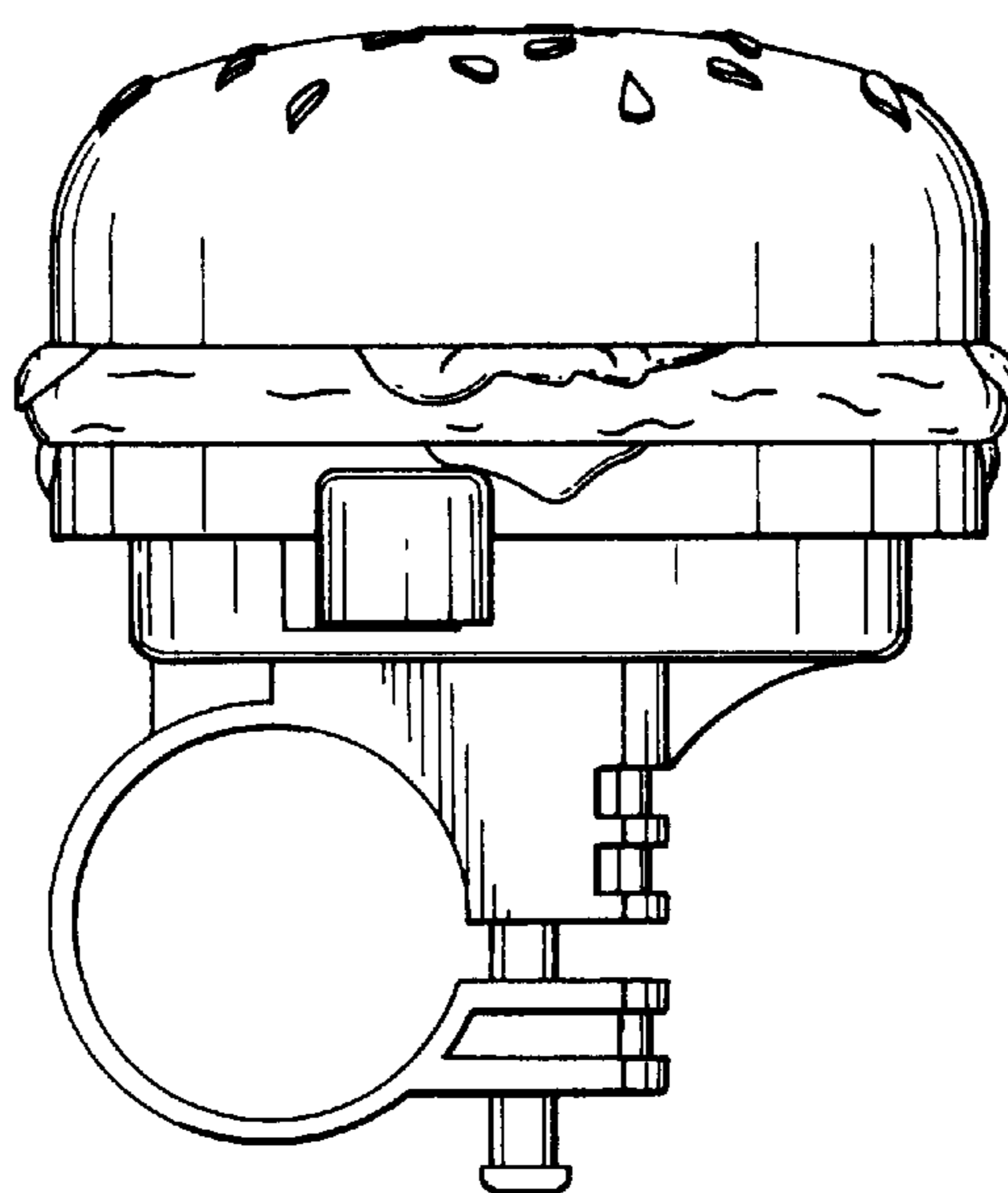


FIG. 19

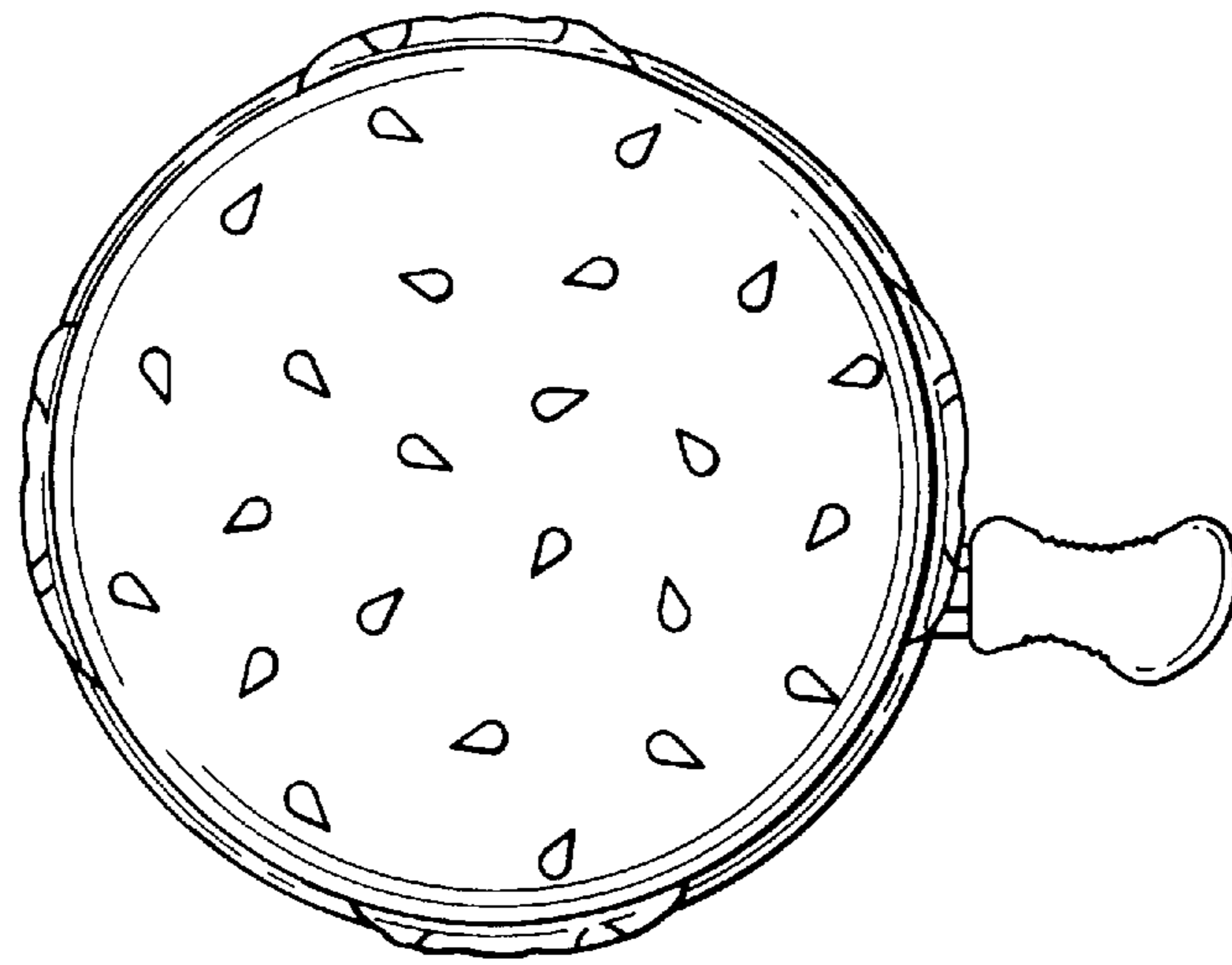


FIG. 20

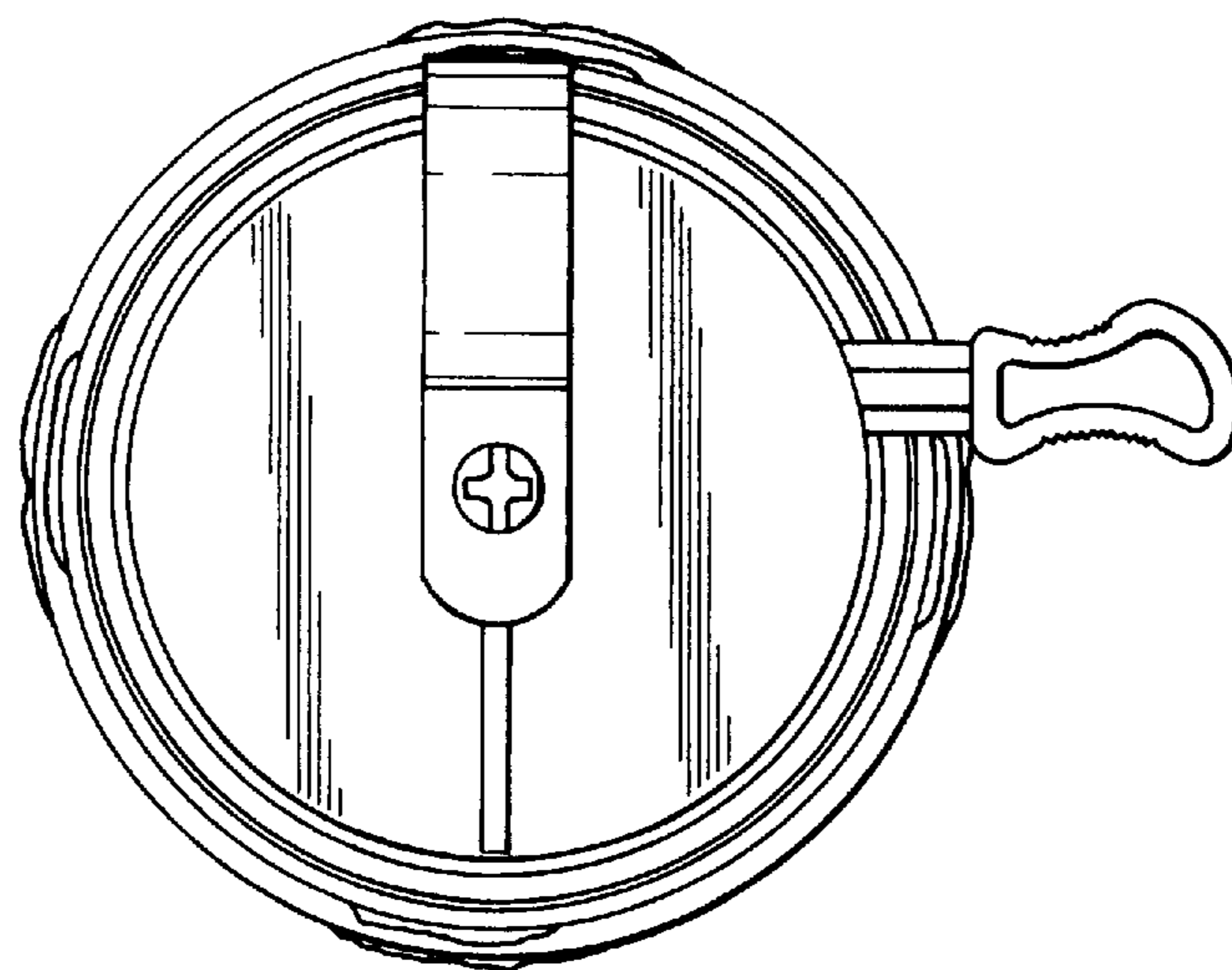


FIG. 21

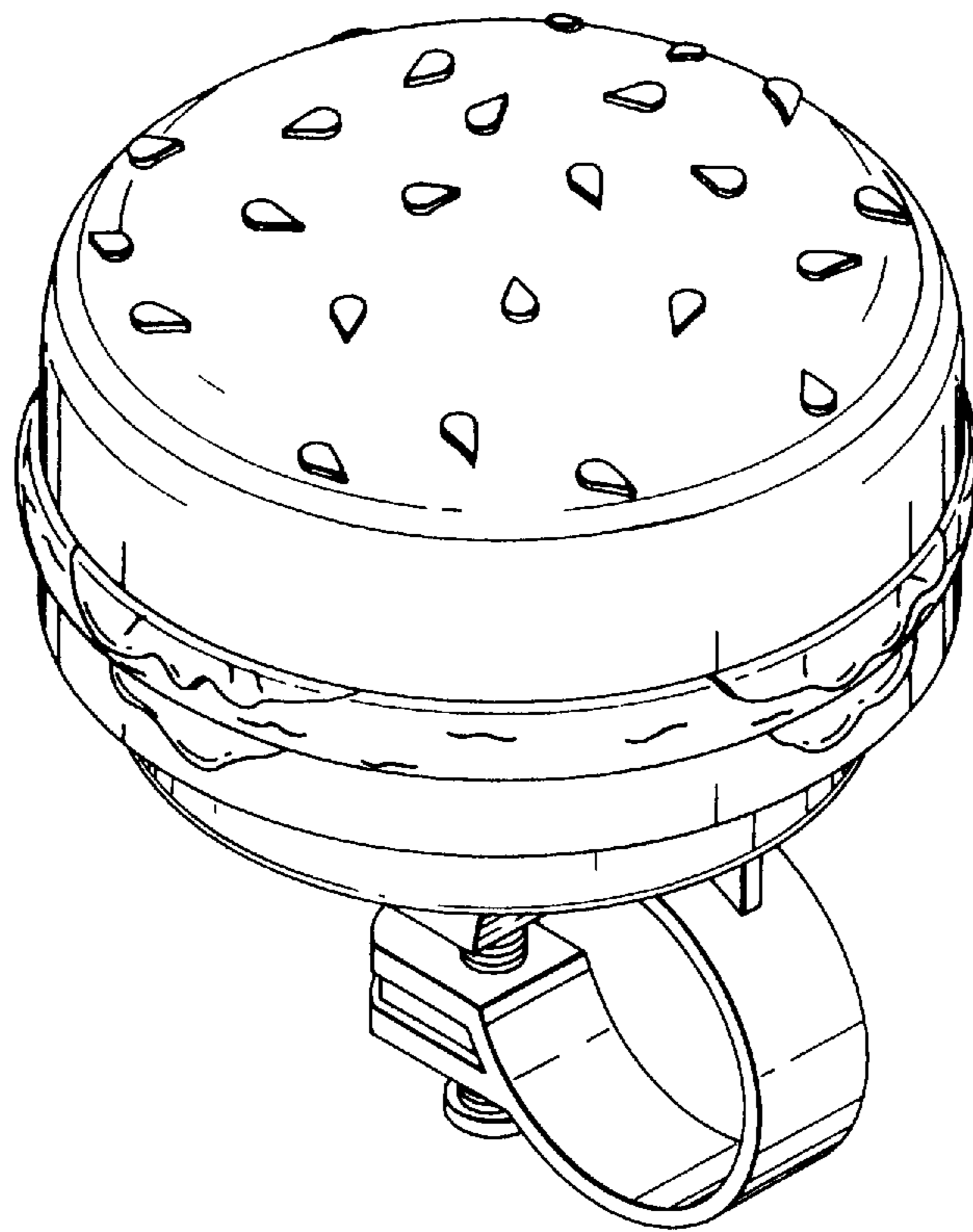


FIG. 22

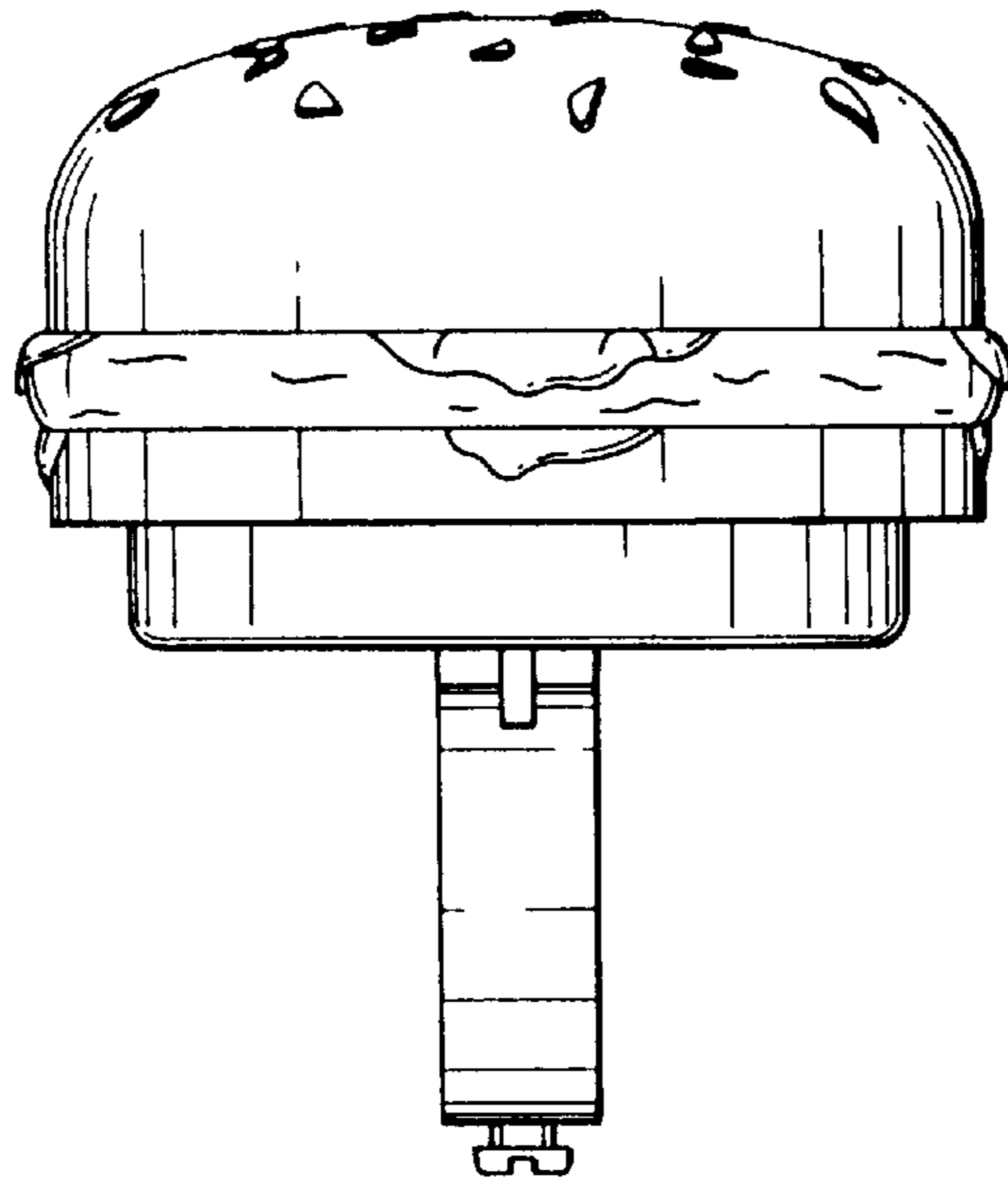


FIG. 23

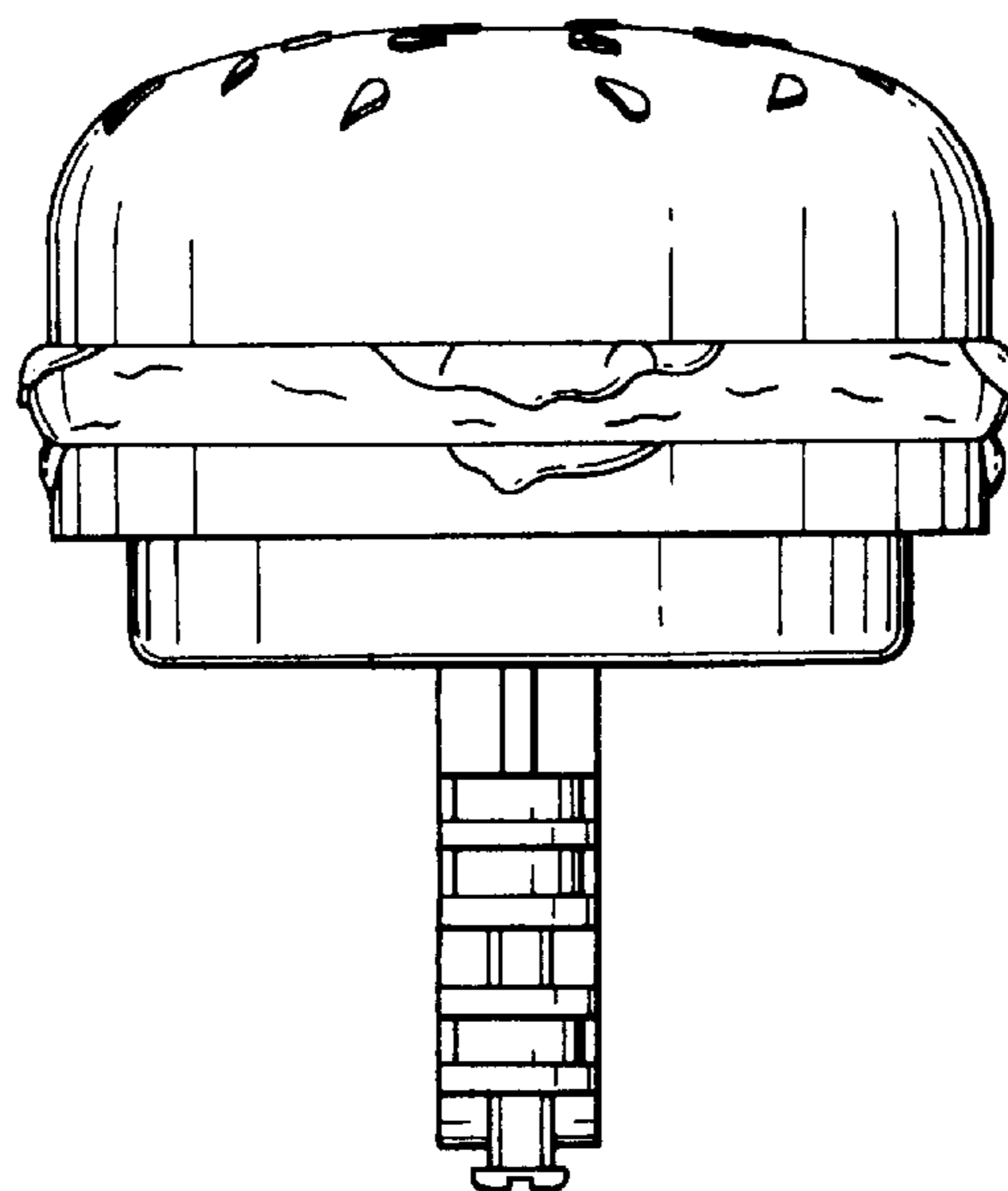


FIG. 24

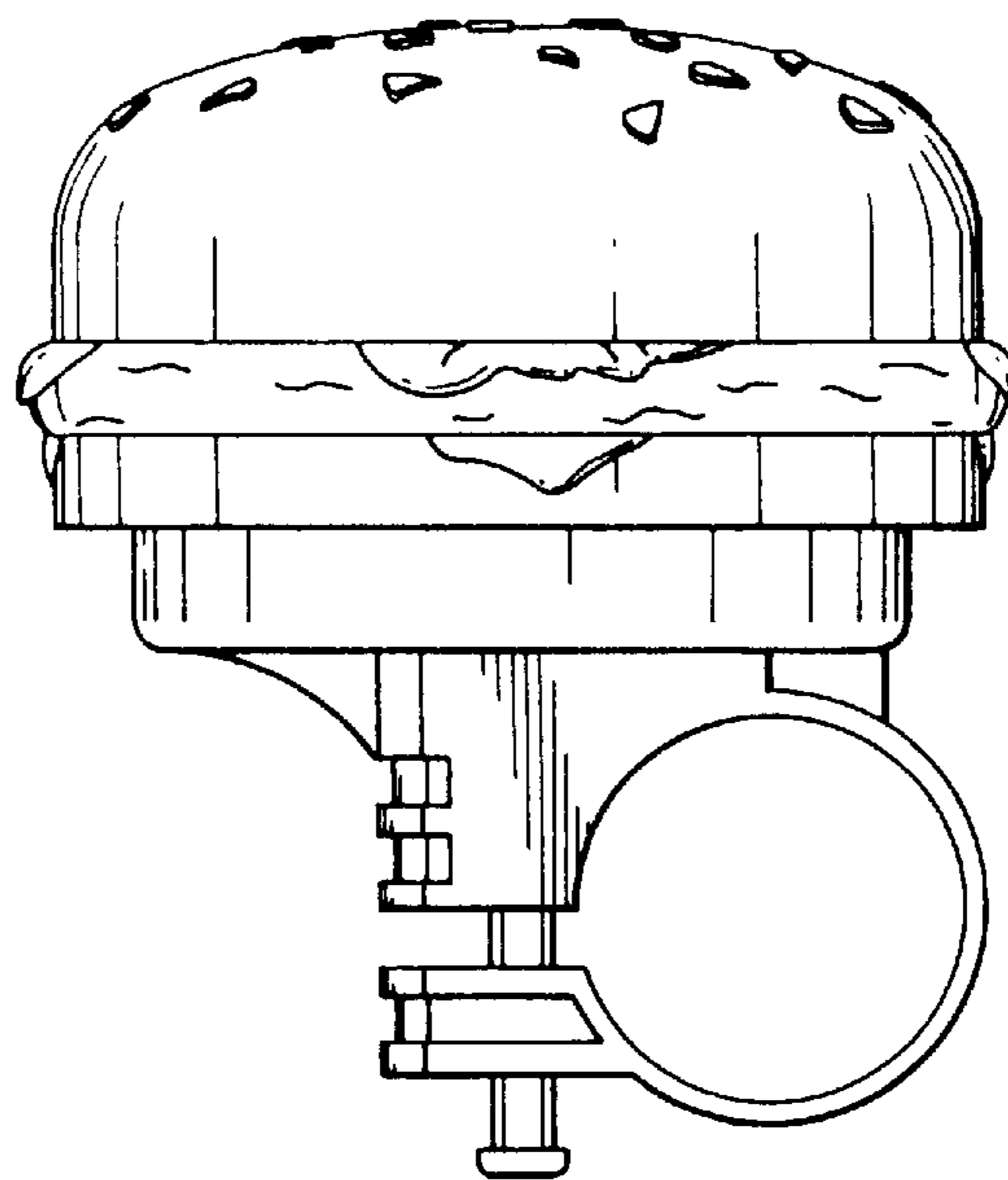


FIG. 25

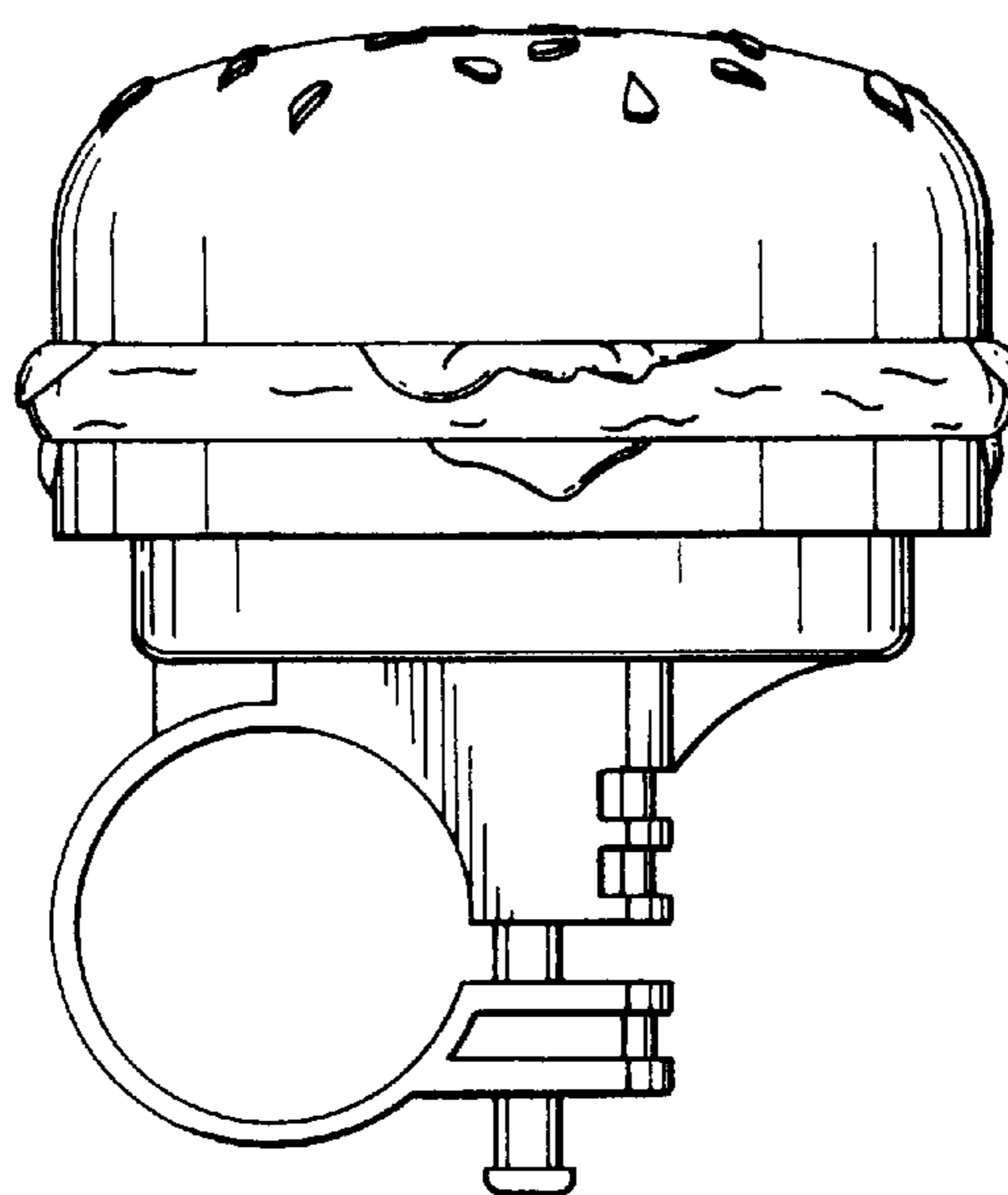


FIG. 26

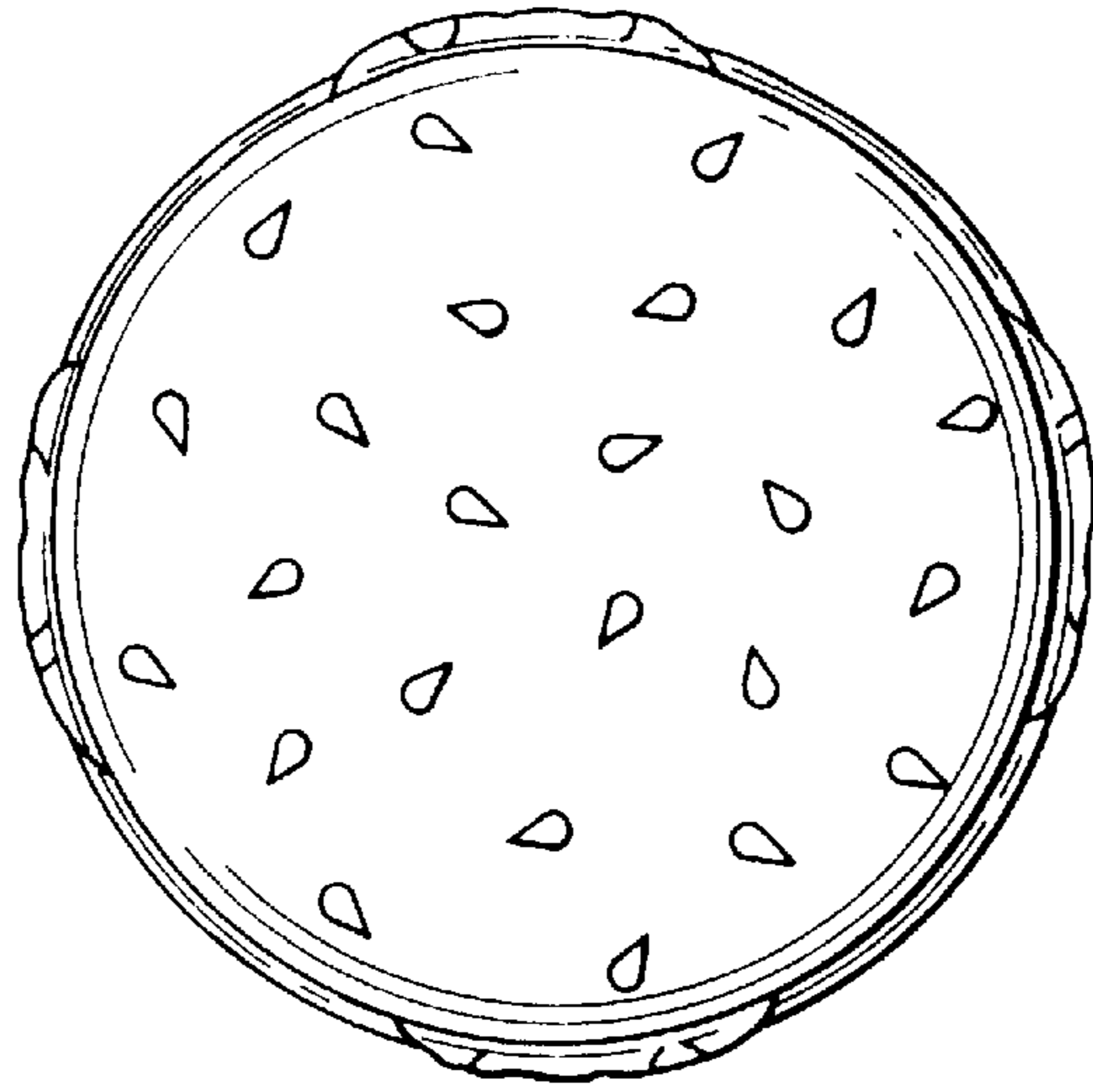


FIG. 27

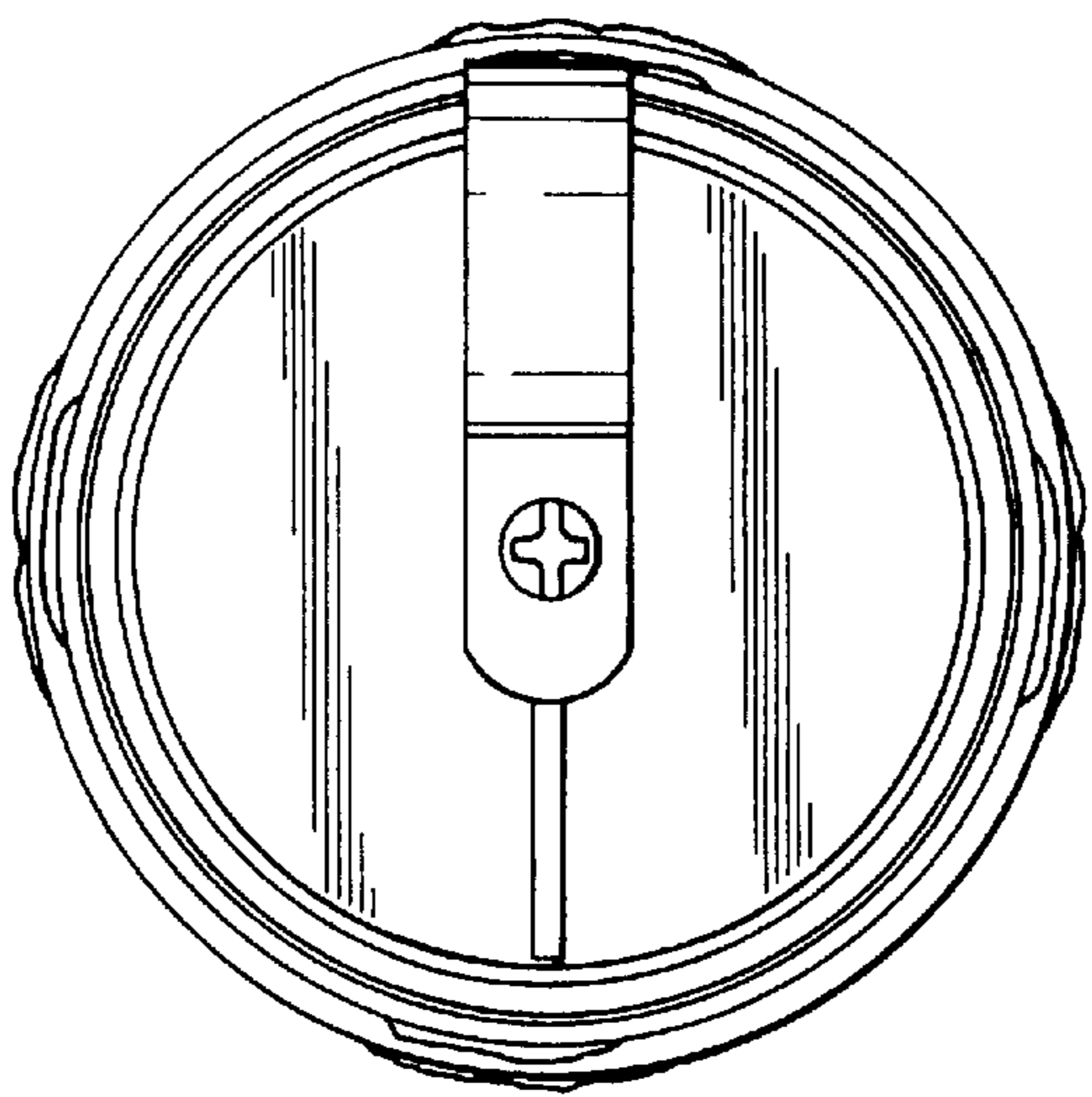


FIG. 28