



US00D395614S

United States Patent [19]

Denoon-Stevens

[11] **Patent Number: Des. 395,614**

[45] **Date of Patent: **Jun. 30, 1998**

[54] **FIRE DETECTOR**

[75] Inventor: **David Owen Denoon-Stevens**, Cape Town, South Africa

[73] Assignee: **Ziton SA (Proprietary) Limited**, Cape Town, South Africa

[**] Term: **14 Years**

[21] Appl. No.: **76,128**

[22] Filed: **Sep. 5, 1997**

[30] **Foreign Application Priority Data**

Mar. 12, 1997 [ZA] South Africa A97/0267

[51] **LOC (6) Cl.** **10-05**

[52] **U.S. Cl.** **D10/106**

[58] **Field of Search** D10/104, 106, D10/116, 121; 340/545, 547, 555, 578, 586, 628, 629, 630, 693

[56] **References Cited**

U.S. PATENT DOCUMENTS

D. 339,078 9/1993 Behlke D10/106

- D. 340,202 10/1993 Fenne et al. D10/106
- D. 340,659 10/1993 Fenne D10/106
- D. 358,352 5/1995 Behlka D10/106
- D. 377,460 1/1997 Nelson et al. D10/106
- D. 382,217 8/1997 Akiyama et al. D10/106
- D. 382,825 8/1997 Amleshi D10/106

Primary Examiner—Marcus A. Jackson
Attorney, Agent, or Firm—Ladas & Parry

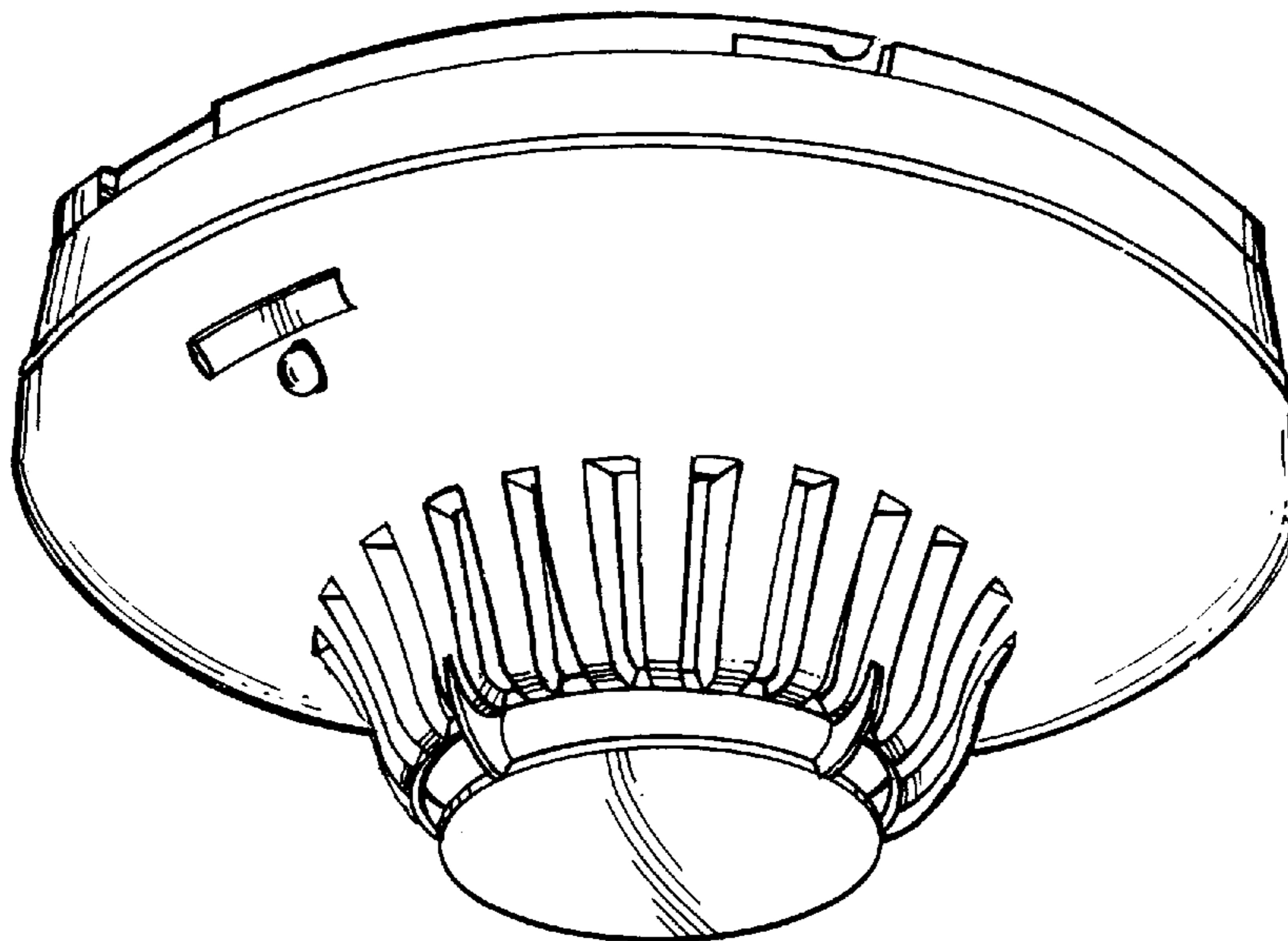
[57] **CLAIM**

The ornamental design for a fire detector, as shown.

DESCRIPTION

FIG. 1 is a bottom perspective view of a fire detector showing my new design;
FIG. 2 is a front elevation view;
FIG. 3 is a rear elevation view;
FIG. 4 is a right side elevation view;
FIG. 5 is a left side elevation view; and,
FIG. 6 is a bottom view, the top view not being shown since it is of a functional nature.

1 Claim, 4 Drawing Sheets



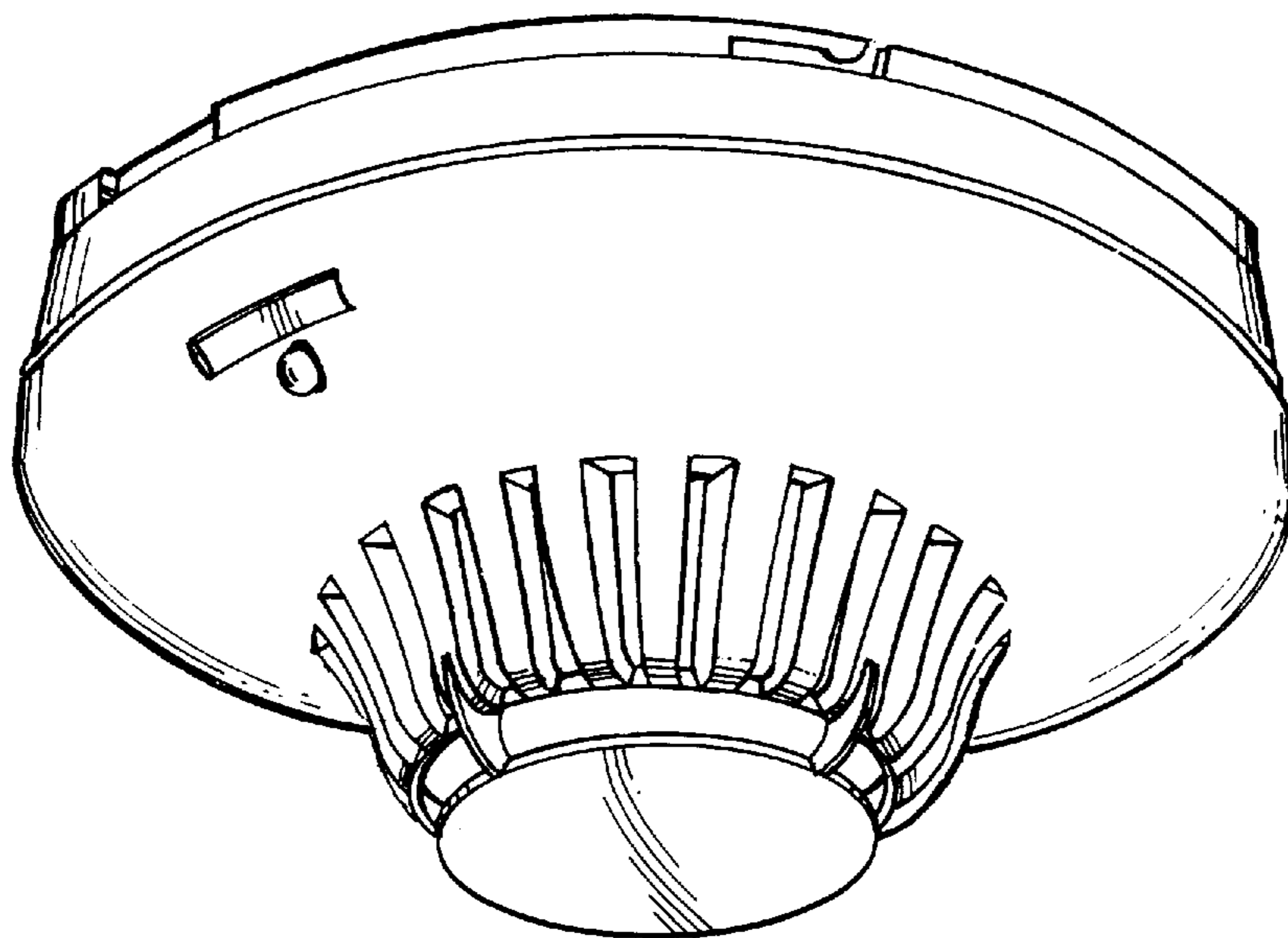


FIG 1

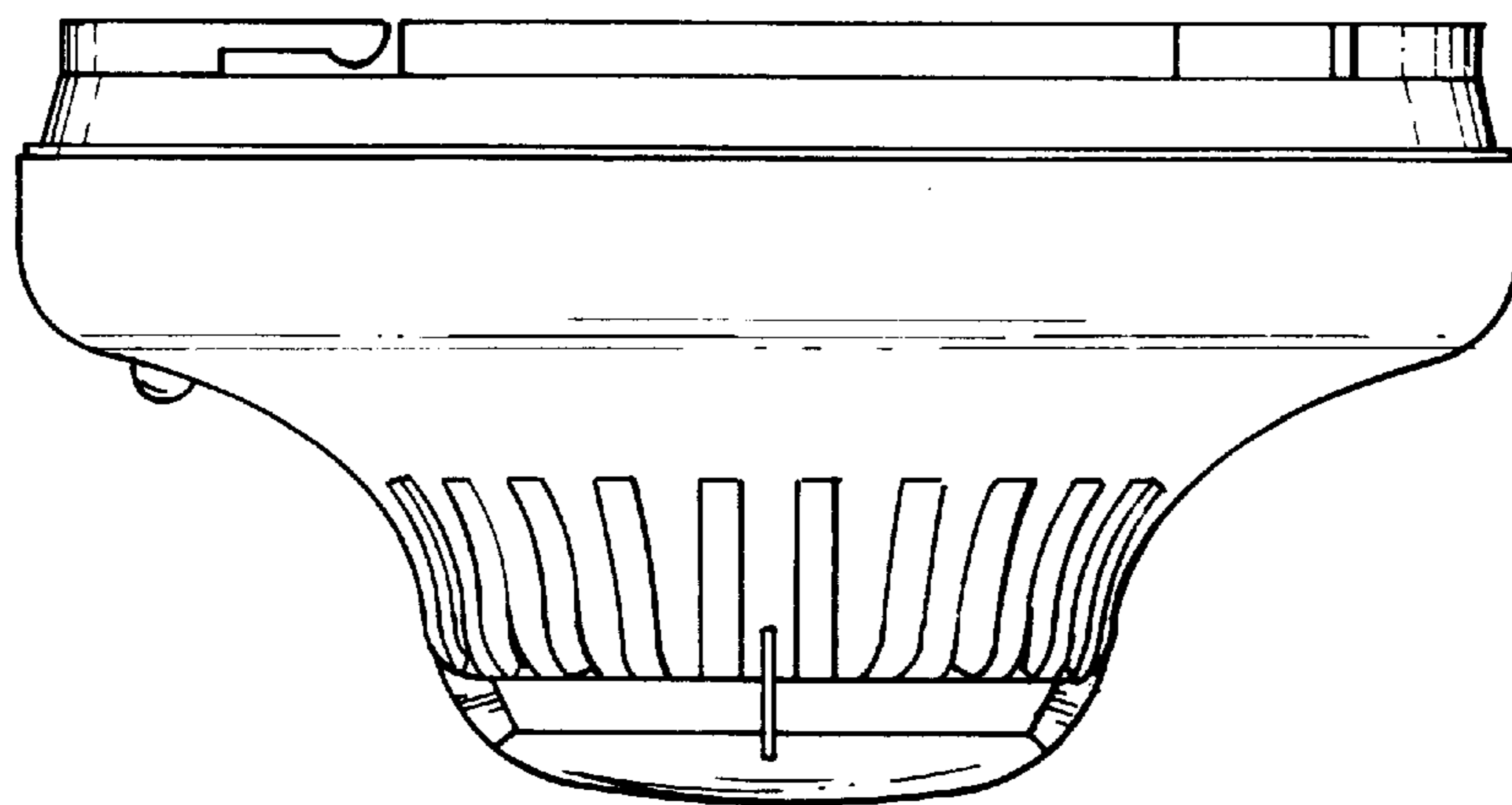


FIG 2

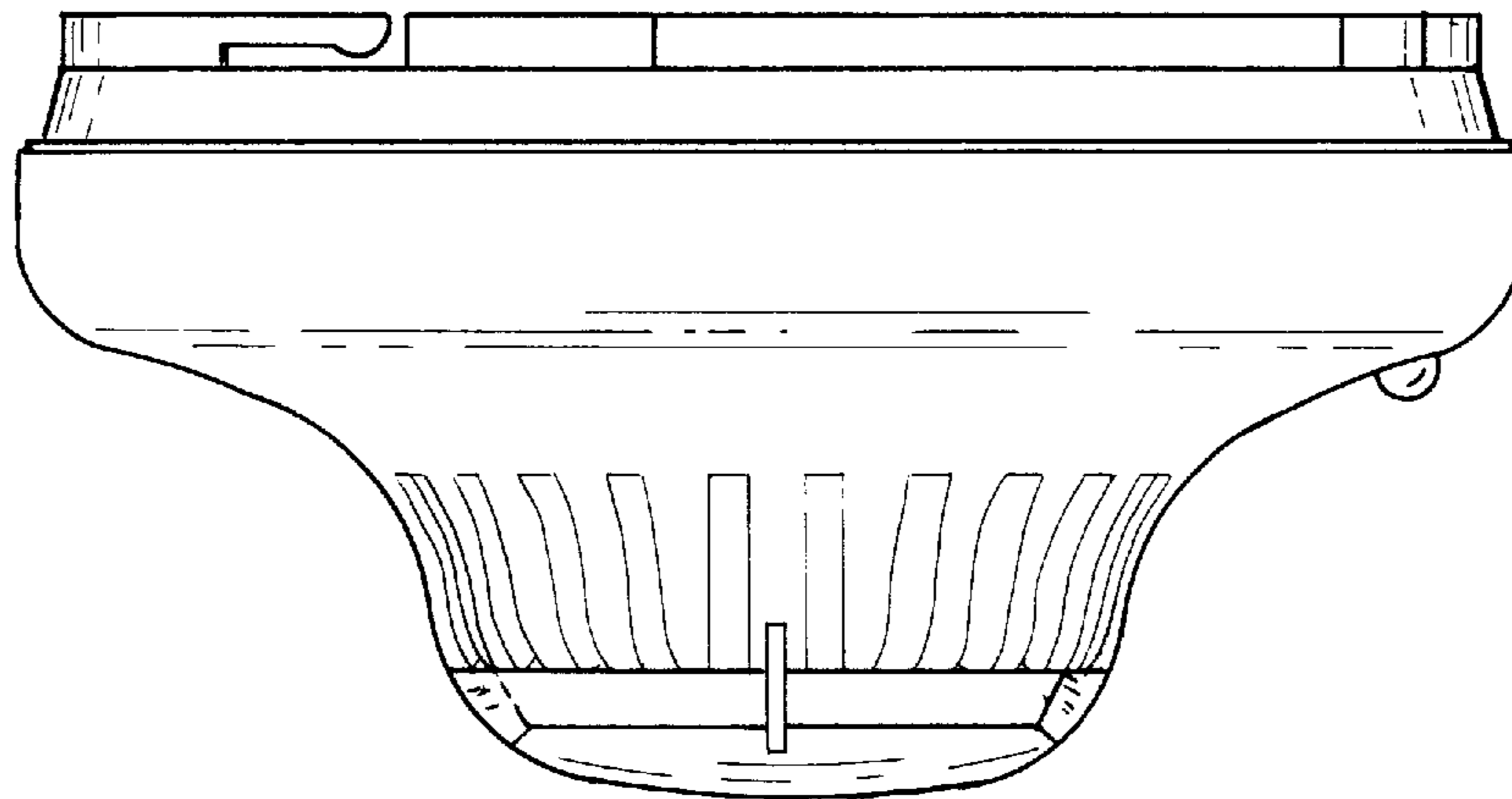


FIG 3

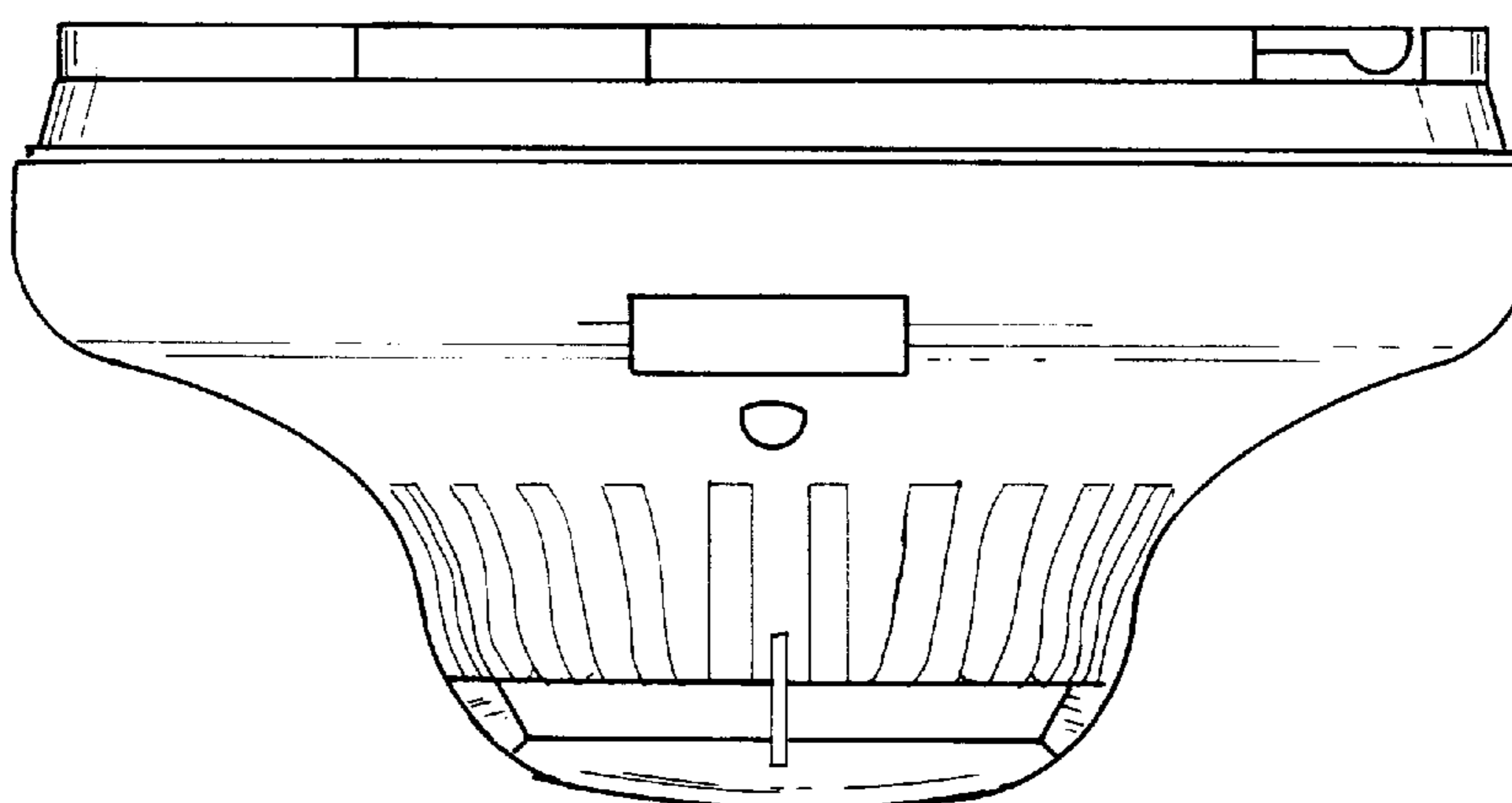


FIG 5

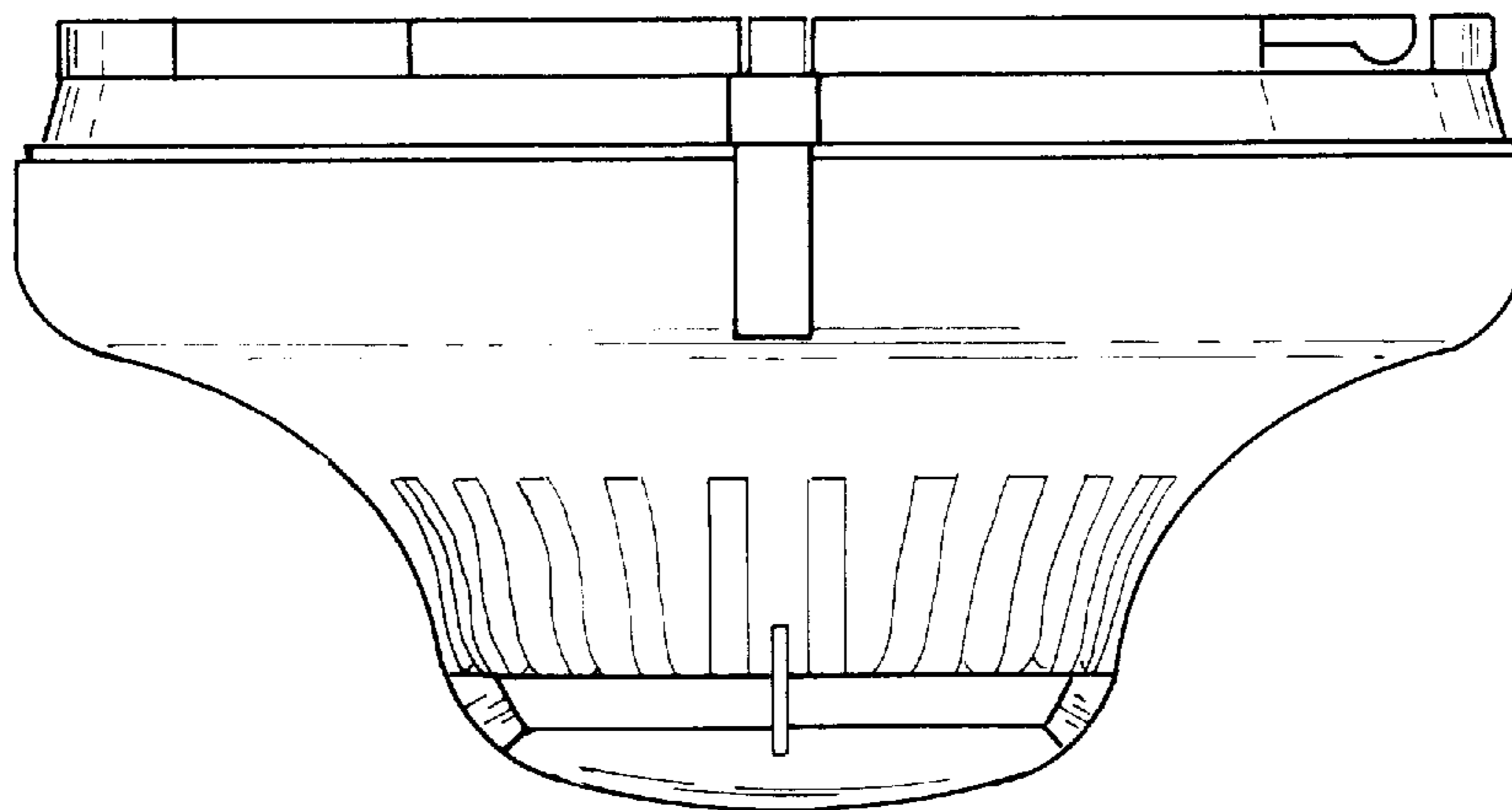


FIG 4

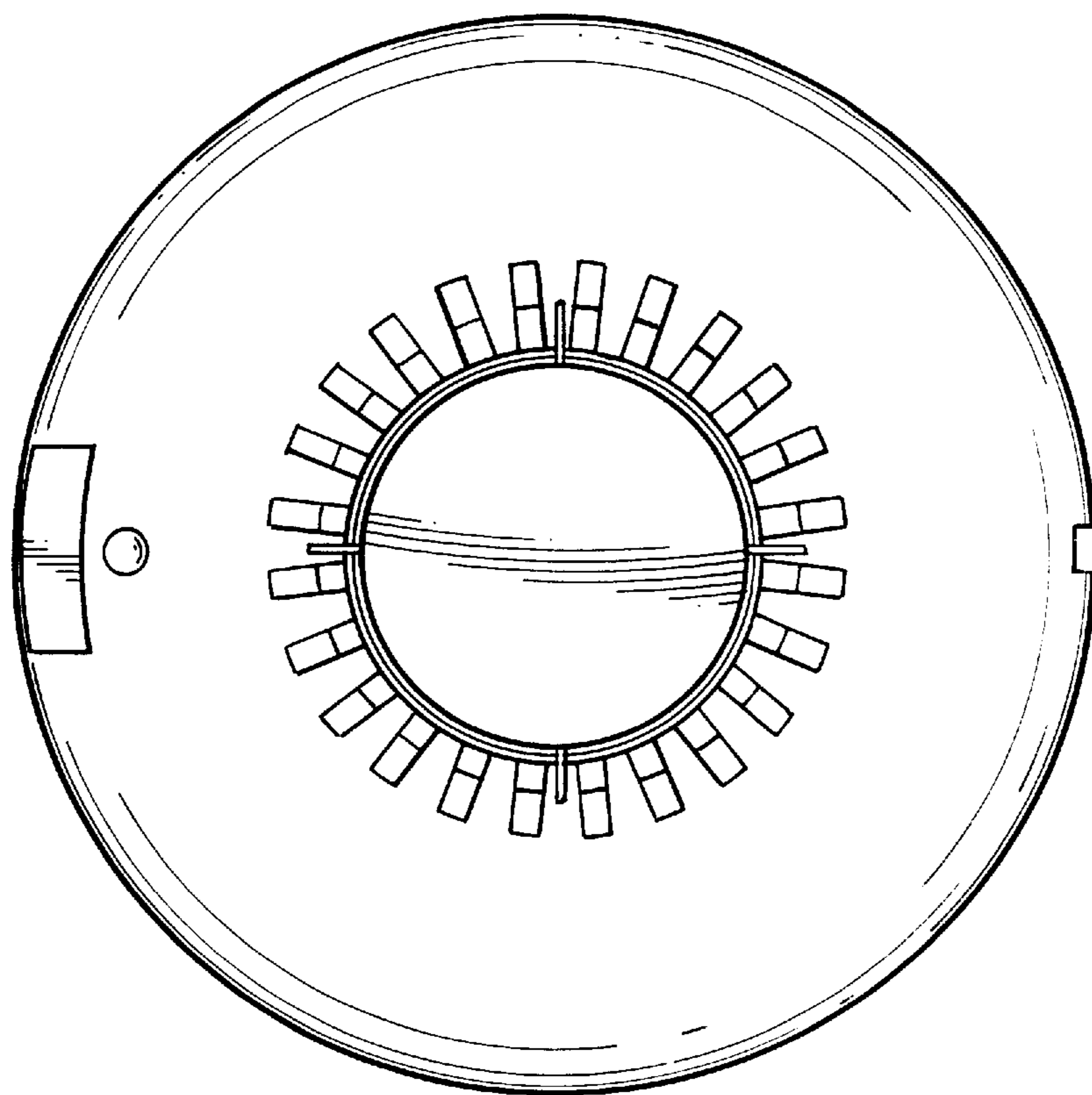


FIG 6