



US00D395613S

United States Patent [19]

[11] Patent Number: **Des. 395,613**

Little

[45] Date of Patent: ****Jun. 30, 1998**

[54] **COMBINED SAFETY SWITCH AND ALARM UNIT**

[57] **CLAIM**

[76] Inventor: **Duane A. Little**, 547 Tuscarawas Ave.,
Newcomerstown, Ohio 43832

The ornamental design for a combined safety switch and alarm unit, as shown and described.

[**] Term: **14 Years**

DESCRIPTION

[21] Appl. No.: **60,405**

FIG. 1 is an exploded perspective view of a combined safety switch and alarm unit showing my new design, with the alarm unit broken away in the center portion to indicate indeterminate length;

[22] Filed: **Sep. 27, 1996**

FIG. 2 is a front elevational view of the safety switch portion;

[51] **LOC (6) Cl.** **10-05**

FIG. 3 is a rear view thereof;

[52] **U.S. Cl.** **D10/106**

FIG. 4 is a right side elevational view thereof, with the cord broken away to indicate indeterminate length;

[58] **Field of Search** D10/104, 106,
D10/116, 121; 340/540, 541, 545, 550,
555, 571, 572, 573, 628, 629, 630

FIG. 5 is a left view thereof;

FIG. 6 is a top view thereof;

FIG. 7 is a bottom view thereof;

[56] **References Cited**

U.S. PATENT DOCUMENTS

D. 312,222	11/1990	Sawyer	D10/106
D. 316,231	4/1991	Inglima	D10/106
D. 321,330	11/1991	Gagnon et al.	D10/106
D. 333,796	3/1993	Bannon	D10/106

FIG. 8 is a right side elevational view of the alarm unit portion;

FIG. 9 is a left view thereof;

FIG. 10 is a front view thereof;

FIG. 11 is a rear view thereof;

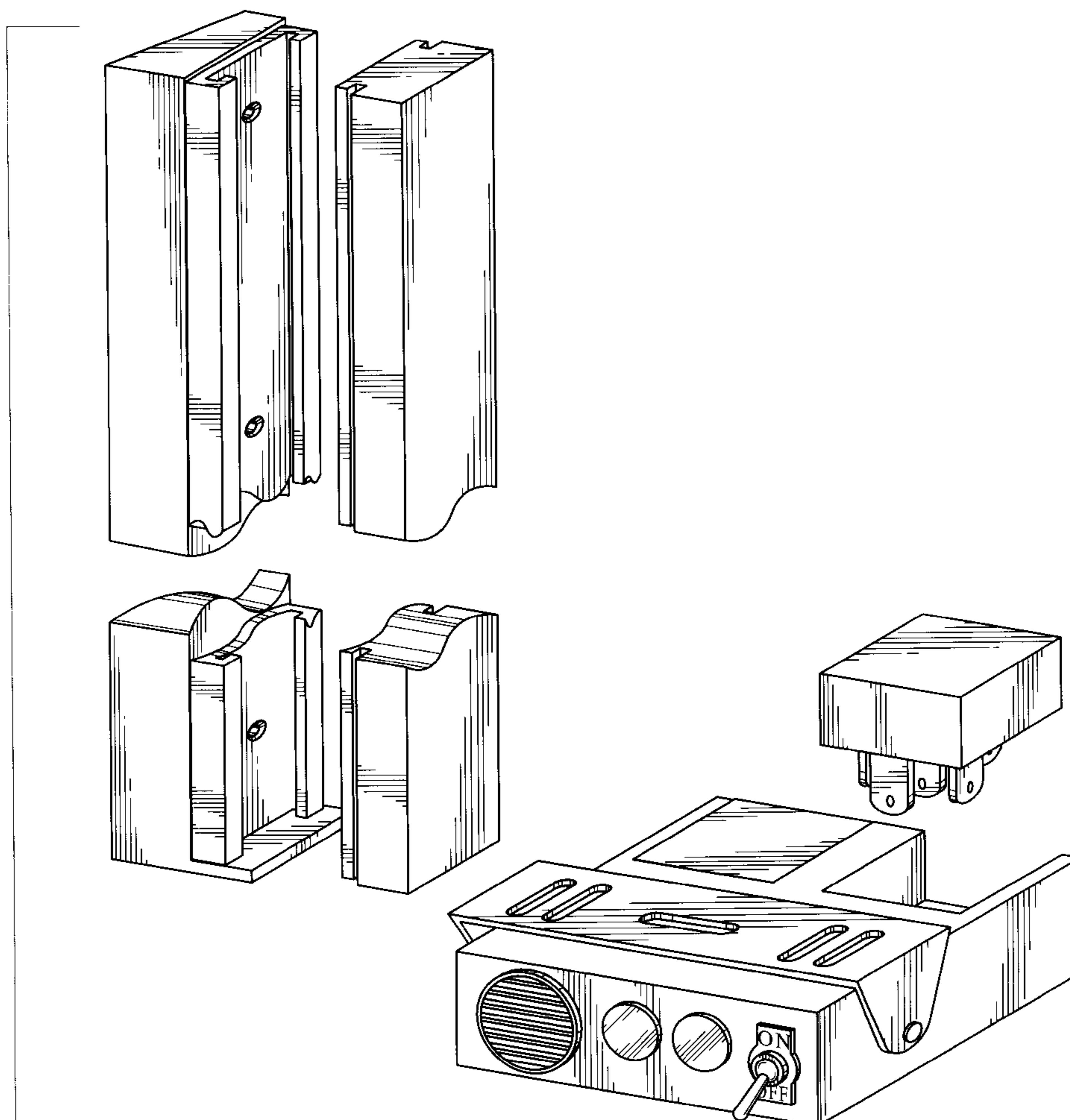
FIG. 12 is a top view thereof; and,

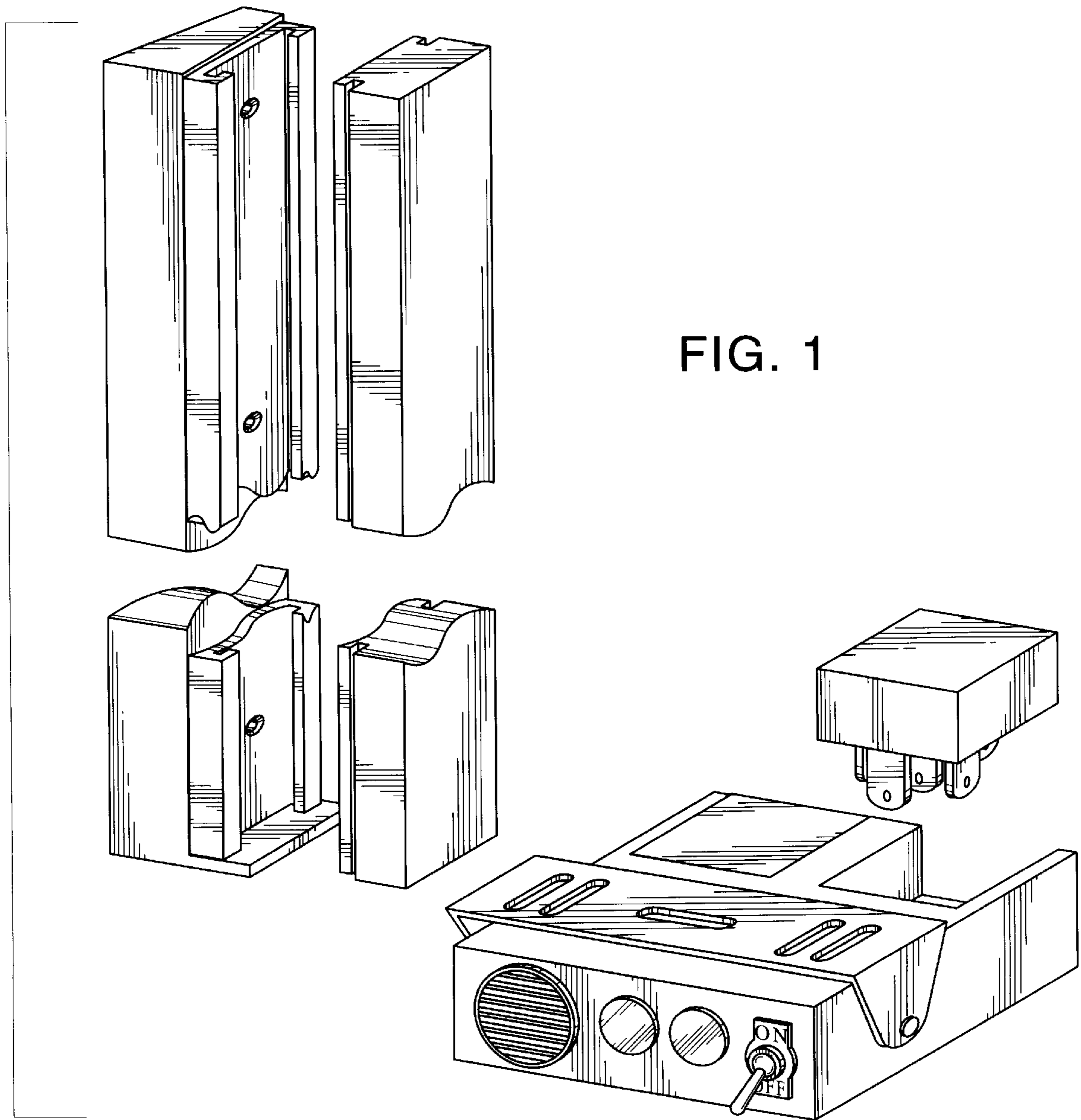
FIG. 13 is a bottom view thereof.

Primary Examiner—Marcus A. Jackson

Attorney, Agent, or Firm—Harold H. Dutton, Jr.

1 Claim, 8 Drawing Sheets





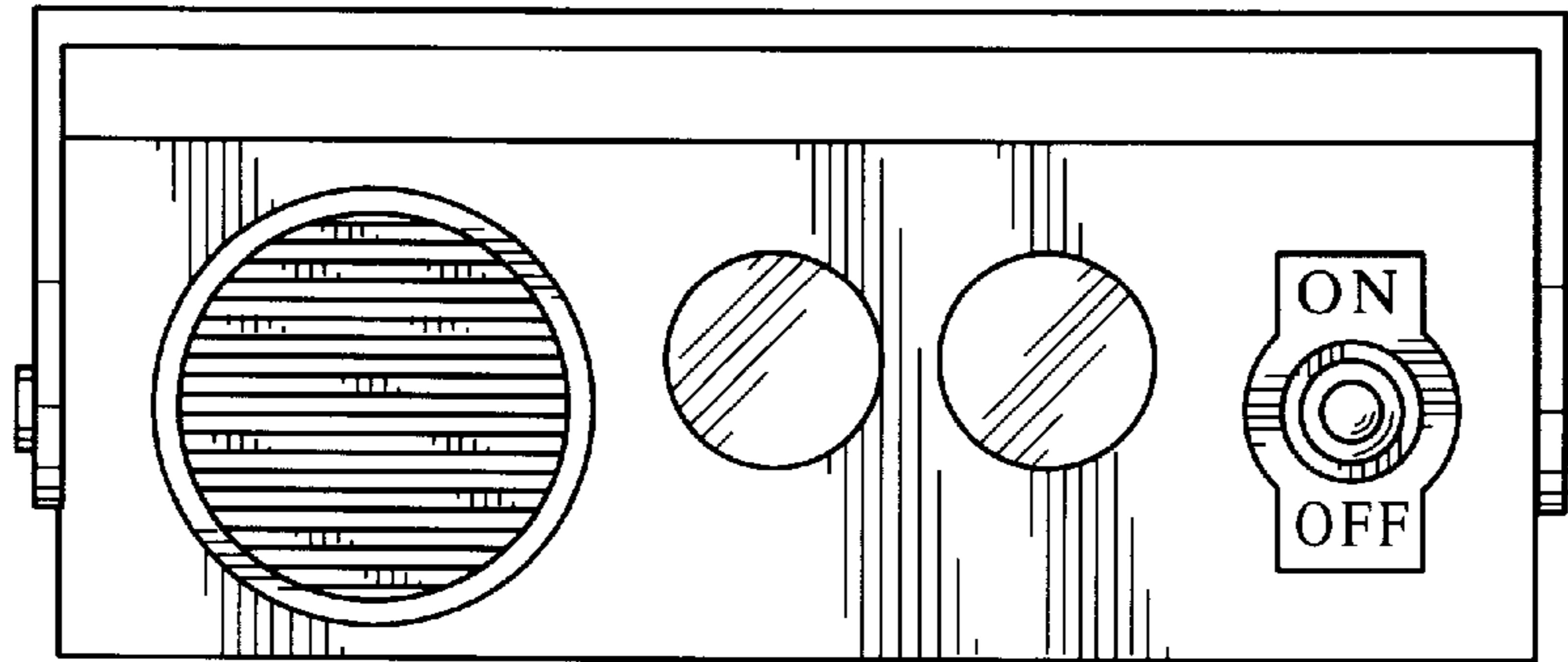


FIG. 2

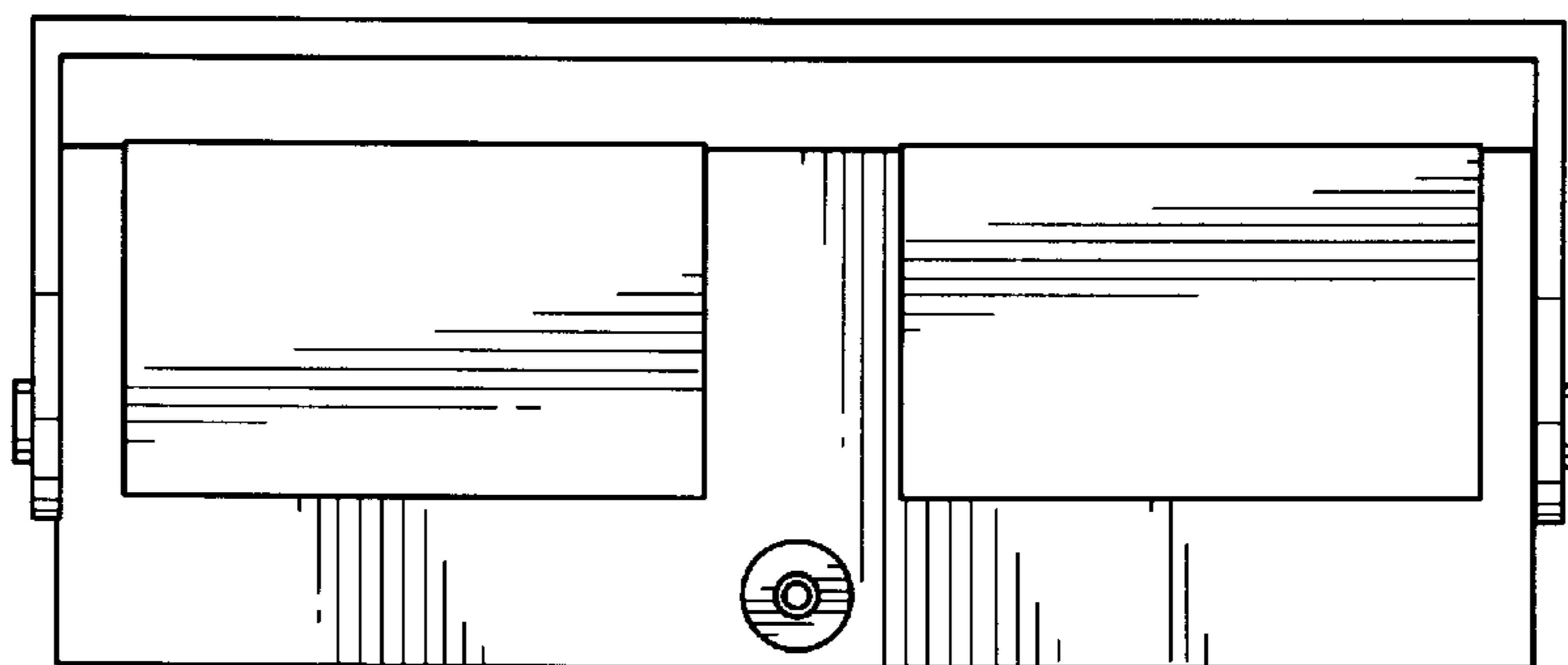


FIG. 3

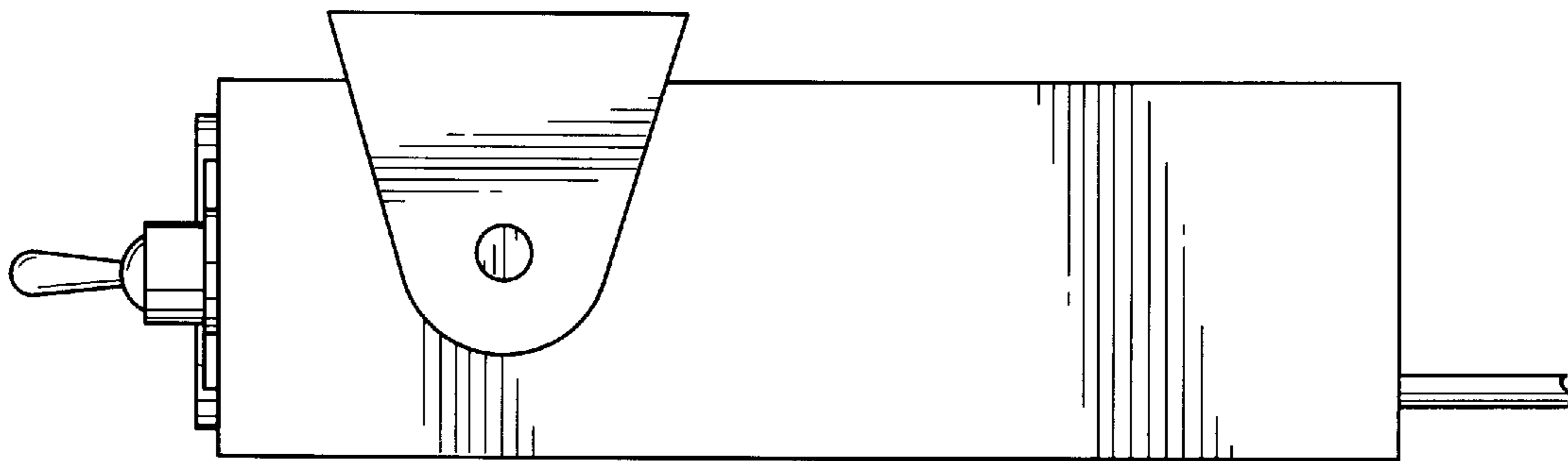


FIG. 4

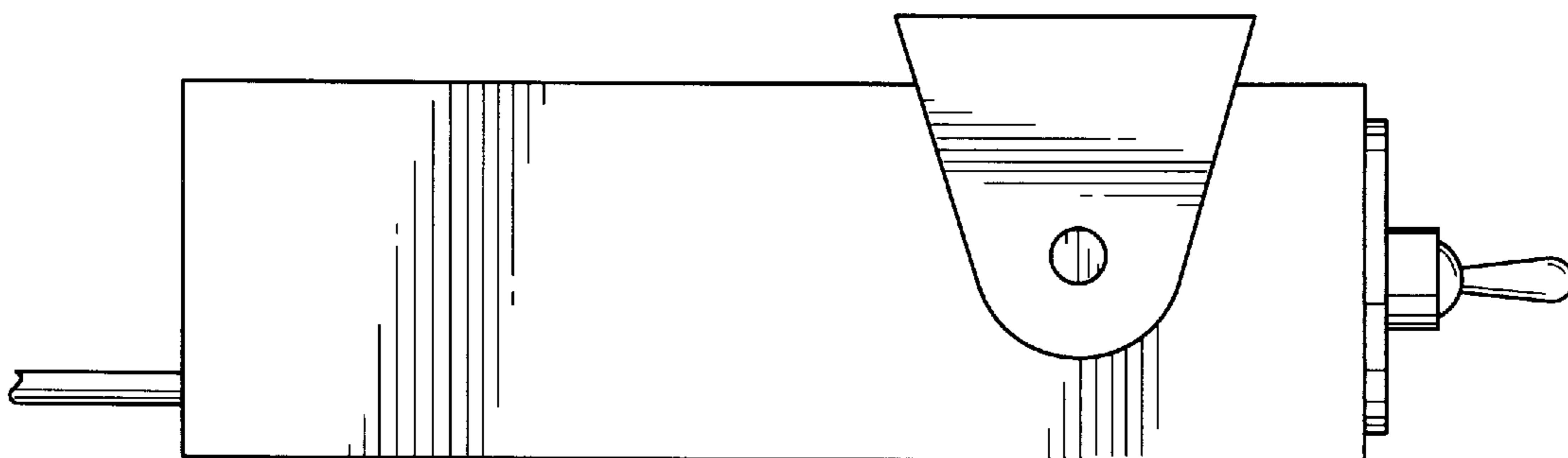


FIG. 5

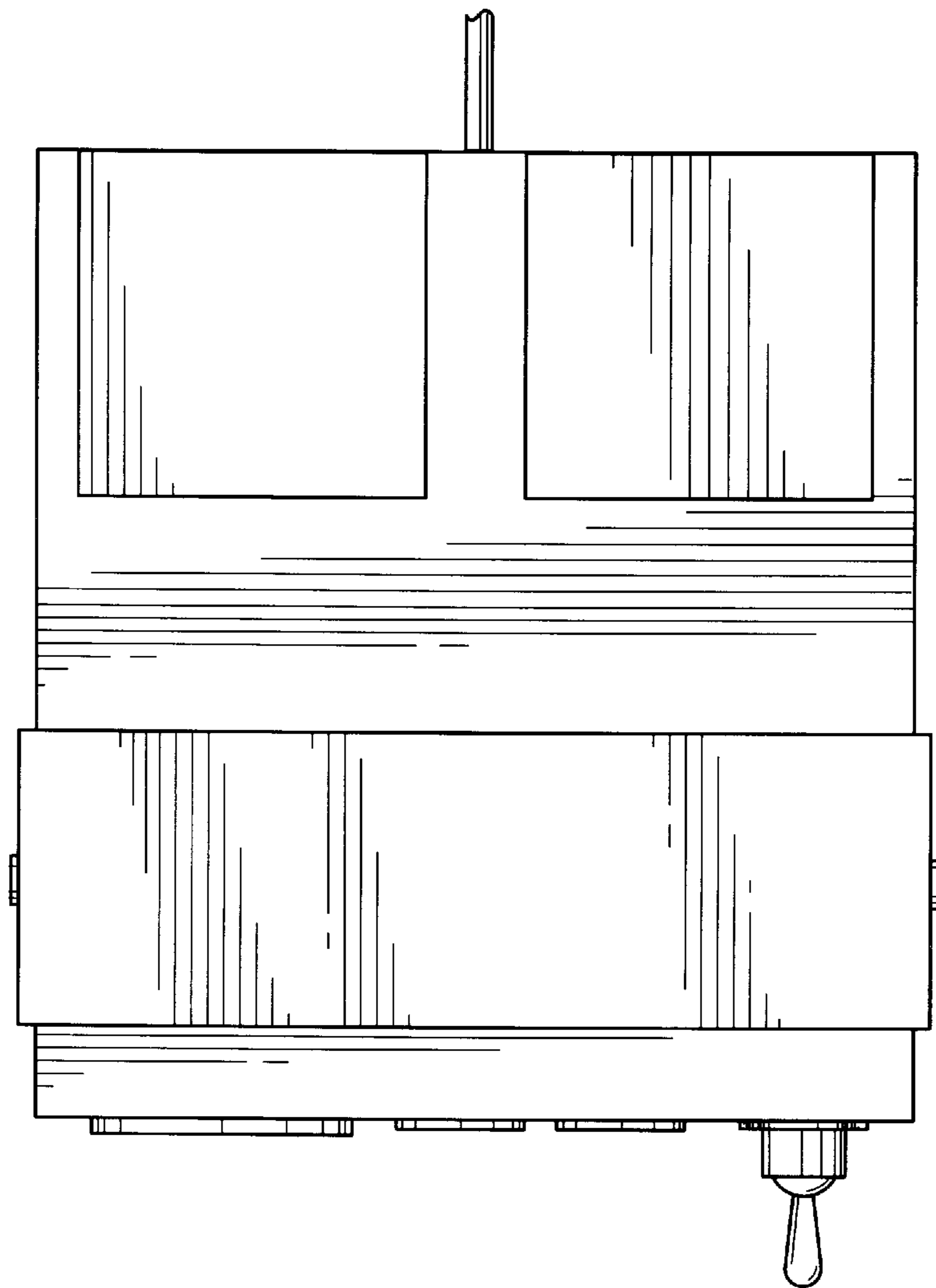


FIG. 6

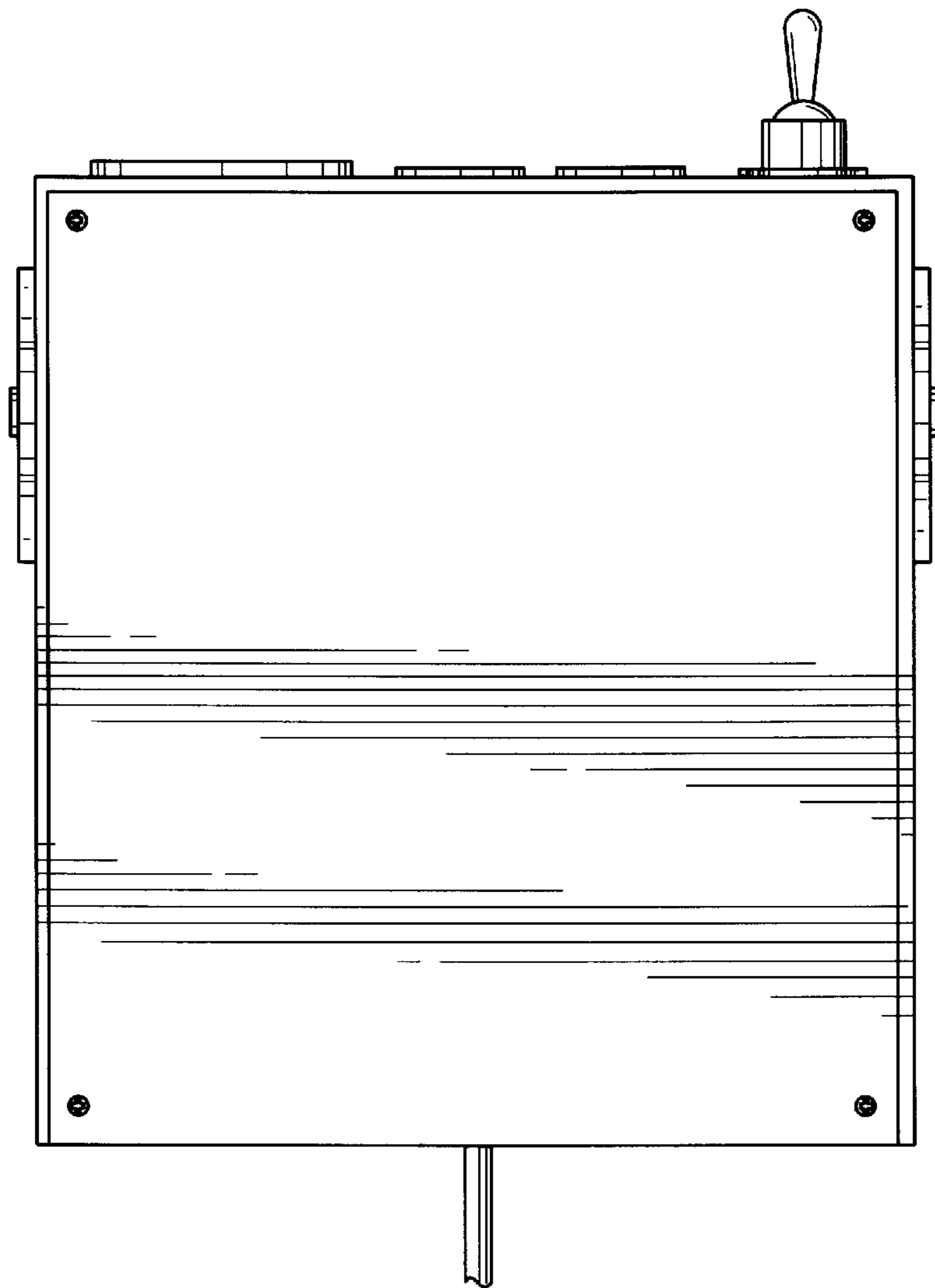


FIG. 7

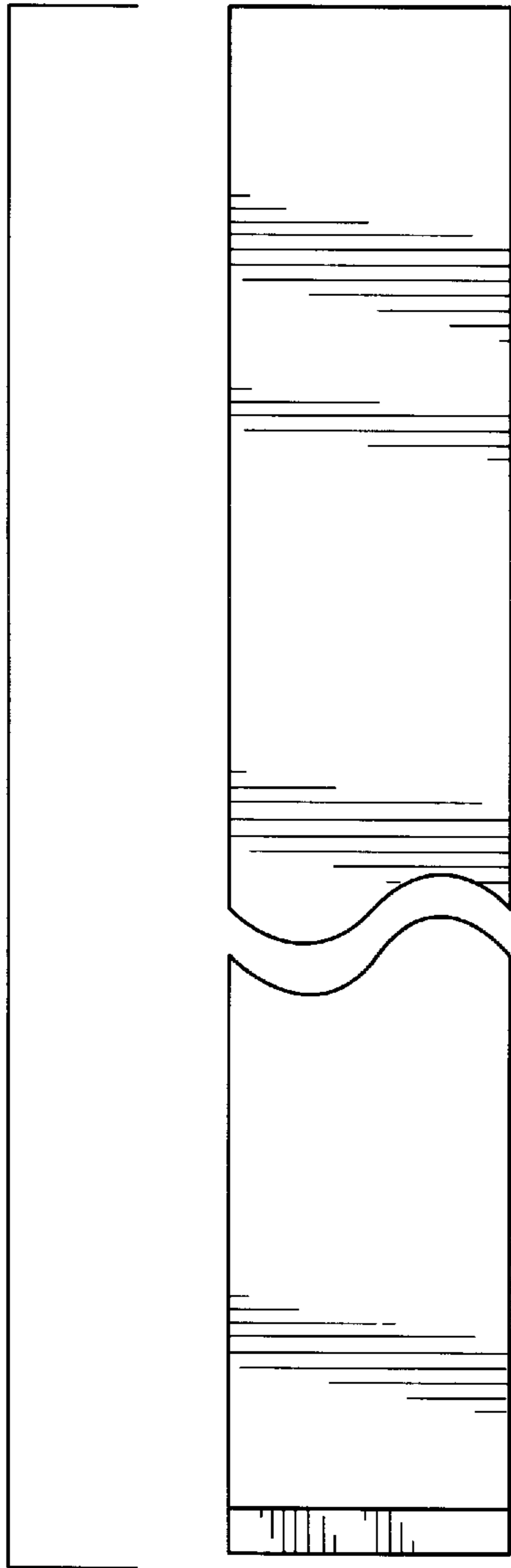


FIG. 8

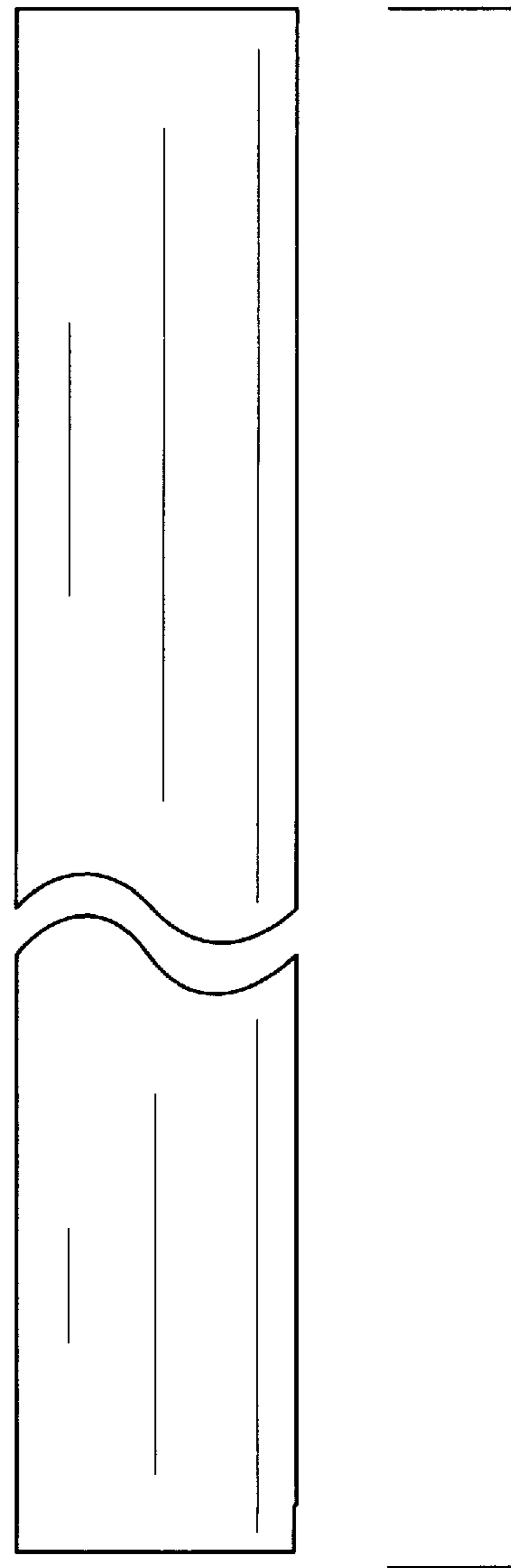


FIG. 9

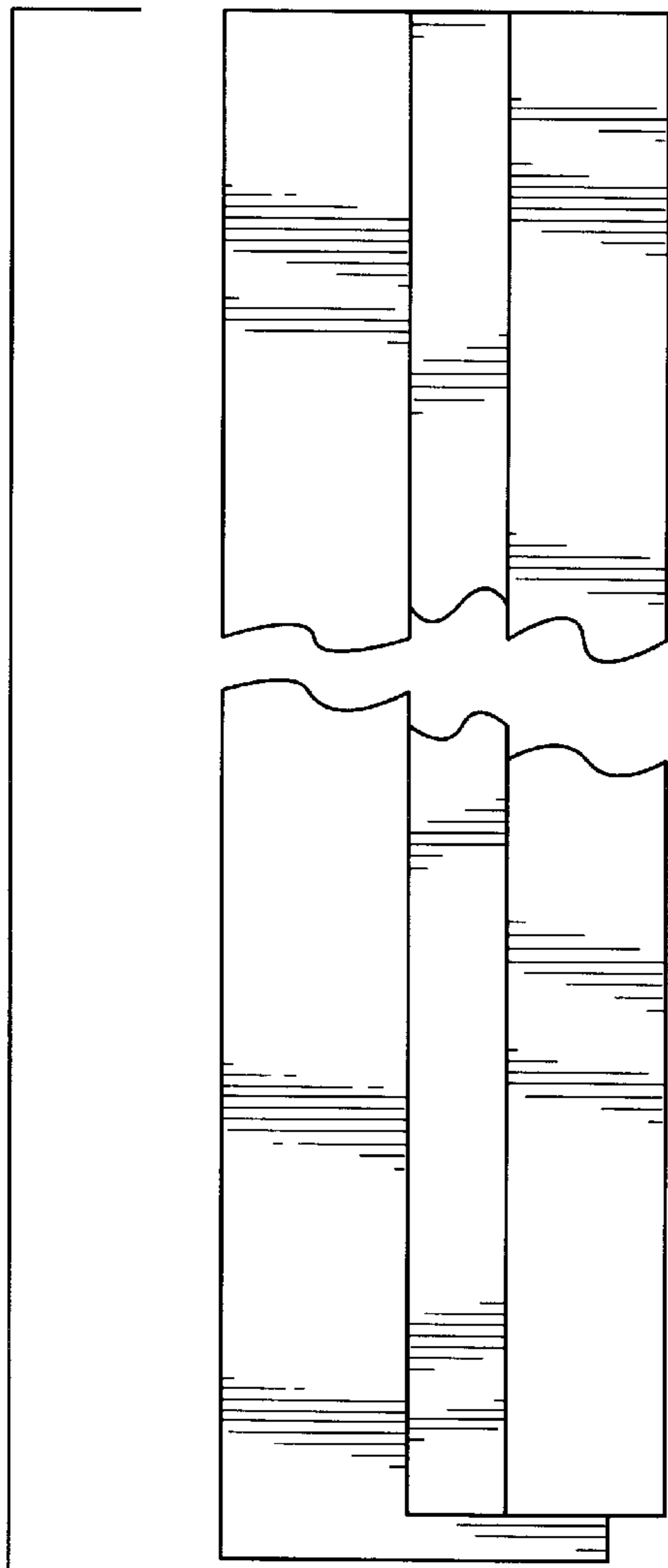


FIG. 10

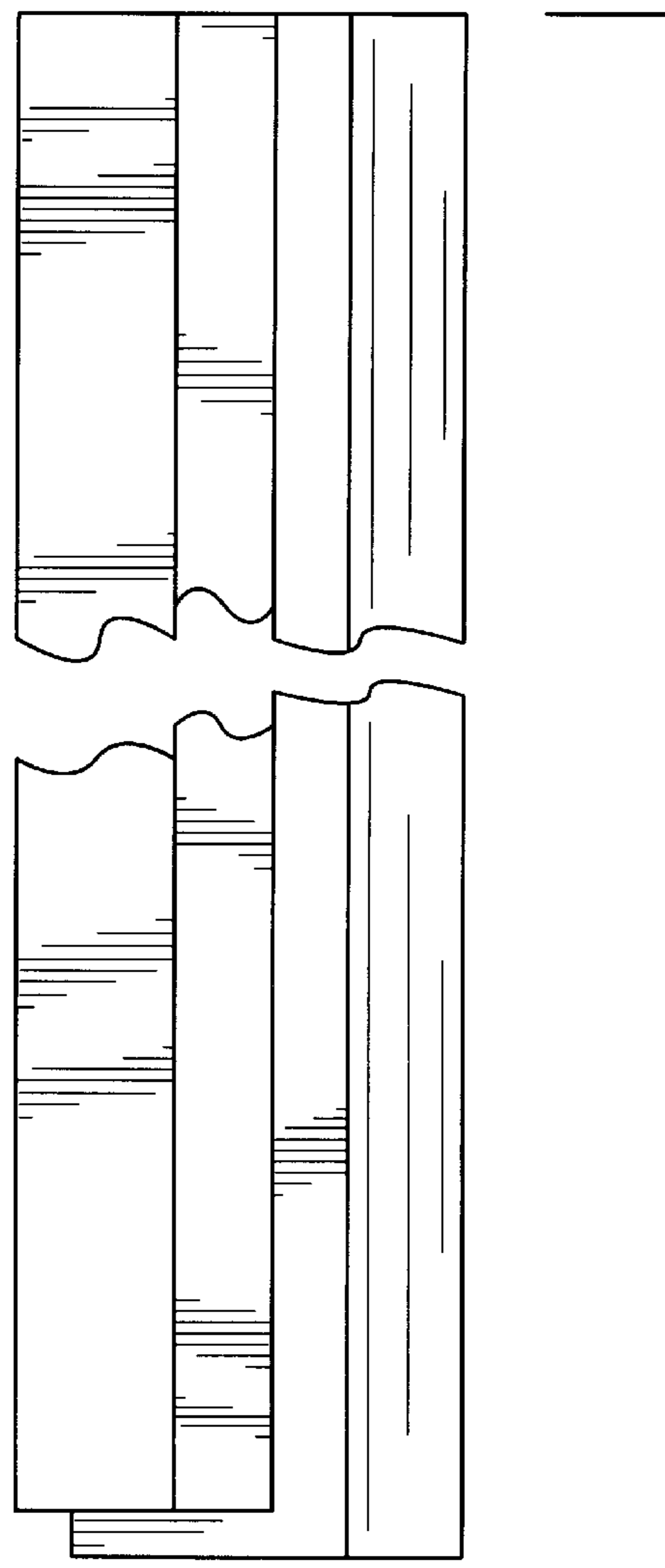


FIG. 11

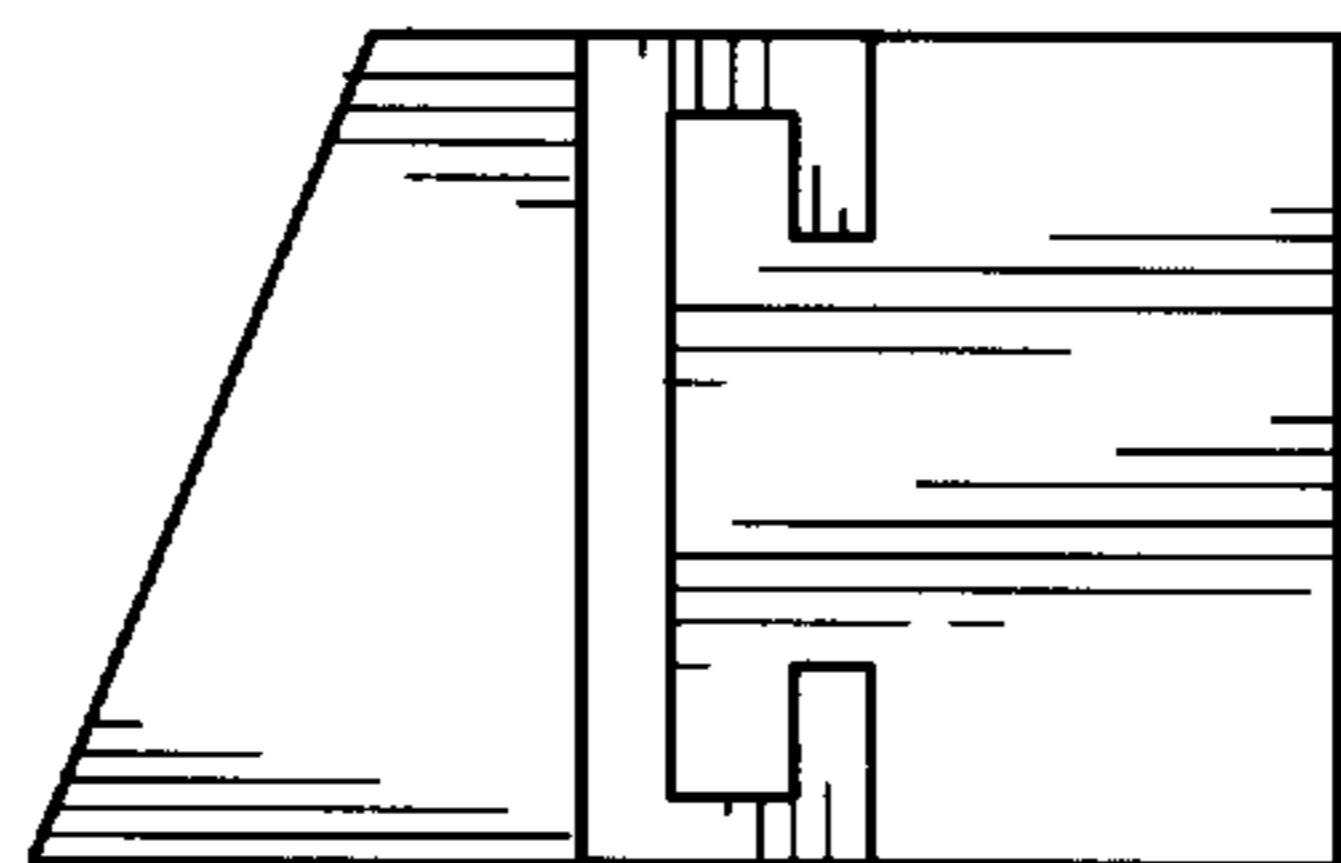


FIG. 12

FIG. 13

