



US00D395612S

**United States Patent** [19]  
**Fabian**

[11] **Patent Number: Des. 395,612**

[45] **Date of Patent: \*\*Jun. 30, 1998**

[54] **KITCHEN SCALE**

[75] Inventor: **Wolfgang Fabian**, Mannheim, Germany

[73] Assignee: **Soehnle-Waagen GmbH & Co.**,  
Murrhardt, Germany

[\*\*] Term: **14 Years**

[21] Appl. No.: **57,756**

[22] Filed: **Jul. 31, 1996**

[30] **Foreign Application Priority Data**

Feb. 2, 1996 [XH] Hague Agreement ..... DM/035418

[51] **LOC (6) Cl.** ..... **10-04**

[52] **U.S. Cl.** ..... **D10/91**

[58] **Field of Search** ..... D10/91; 177/225-245,  
177/262

[56] **References Cited**

**U.S. PATENT DOCUMENTS**

D. 316,683 5/1991 Minuti ..... D10/91

D. 329,025 9/1992 Storsberg ..... D10/91  
D. 331,372 12/1992 Bankier et al. .... D10/91

*Primary Examiner*—Antoine Duval Davis  
*Attorney, Agent, or Firm*—Jones, Tullar & Cooper, P.C.

[57] **CLAIM**

The ornamental design for a kitchen scale, as shown and described.

**DESCRIPTION**

FIG. 1 is a front elevational view of a kitchen scale showing my new design;

FIG. 2 is a front perspective view thereof;

FIG. 3 is a left side elevational view thereof;

FIG. 4 is a right side elevational view thereof;

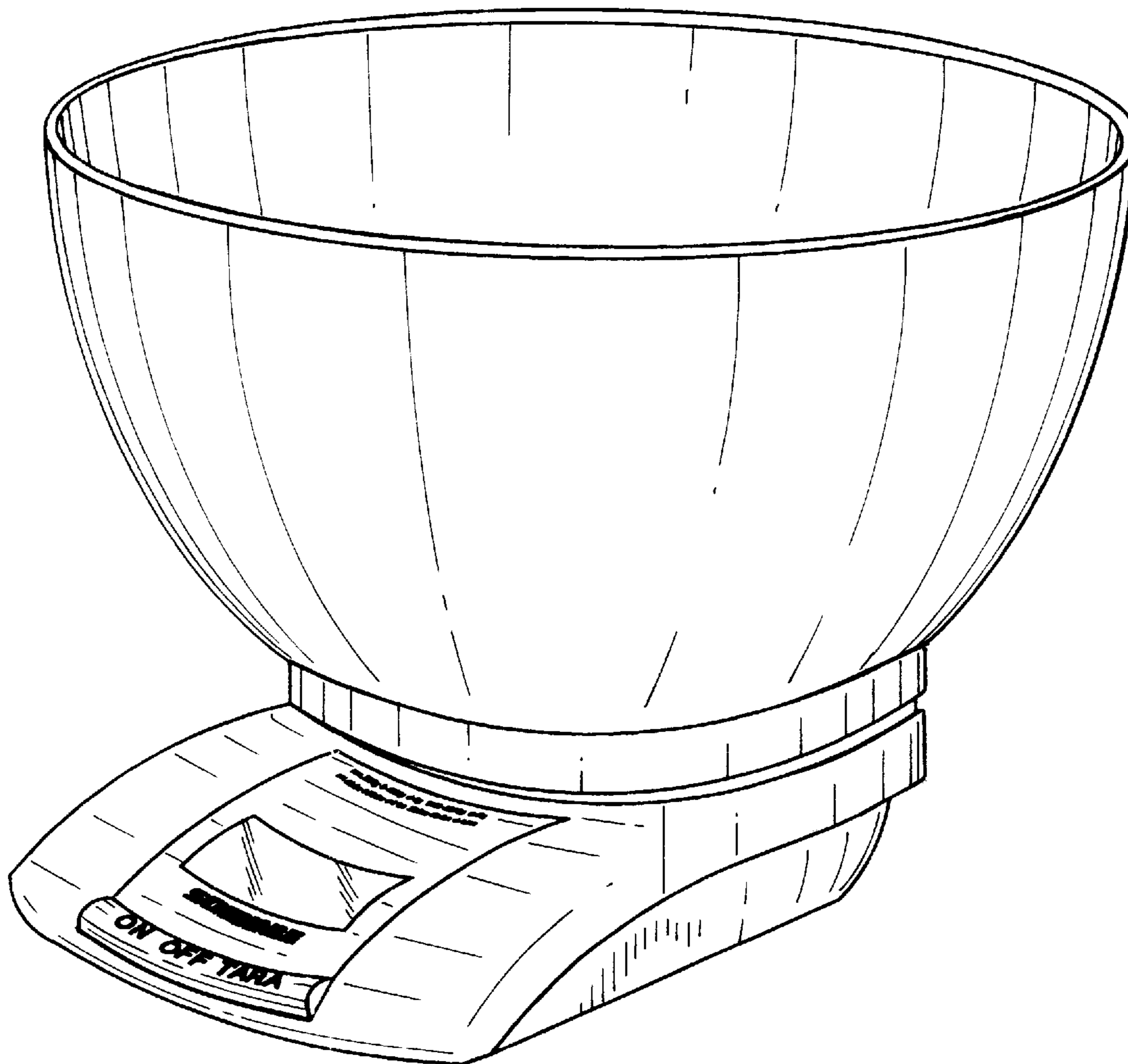
FIG. 5 is a left side partially perspective view thereof;

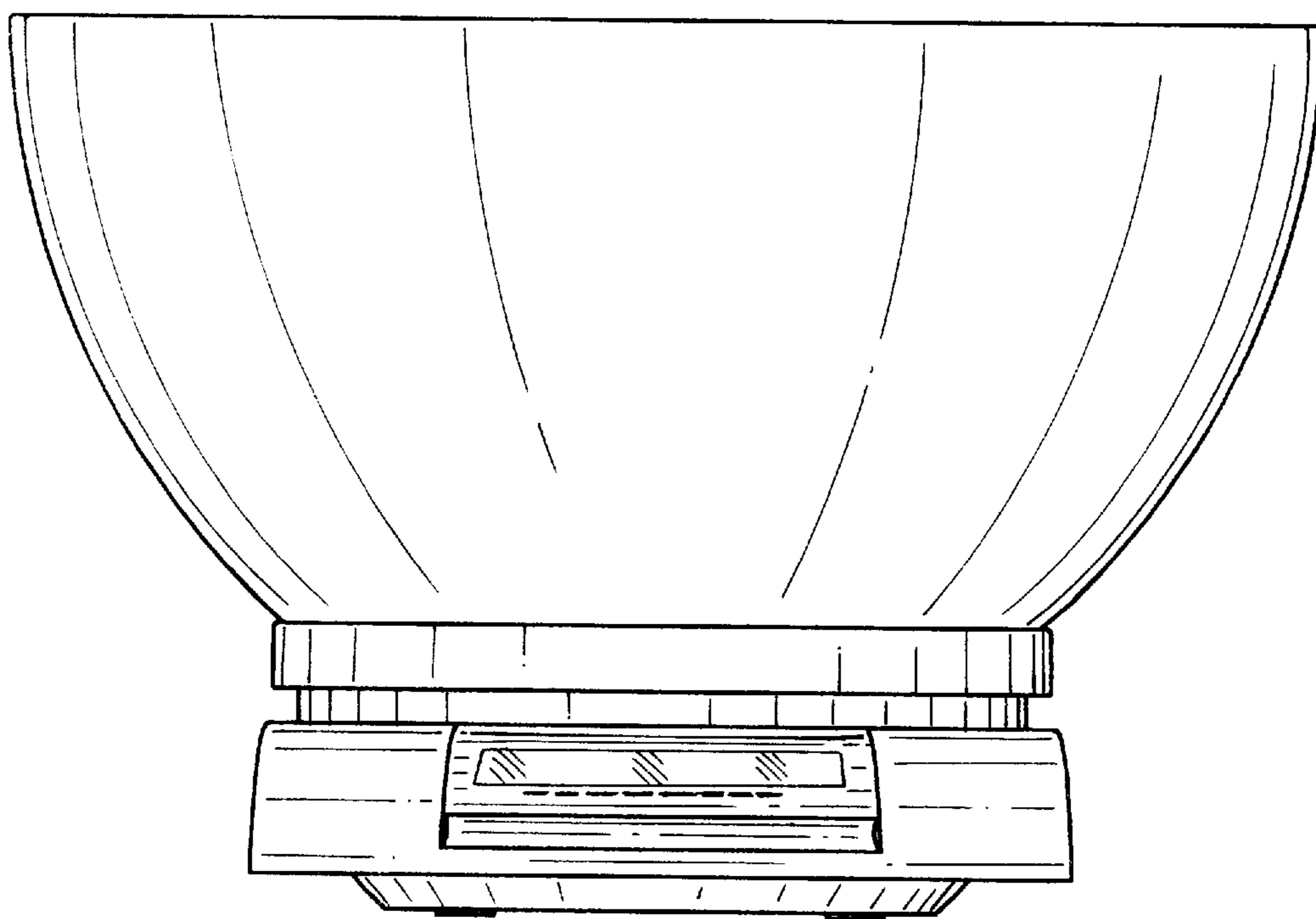
FIG. 6 is a rear view thereof;

FIG. 7 is a bottom view thereof; and,

FIG. 8 is a top view thereof.

**1 Claim, 8 Drawing Sheets**





*FIG. 1*

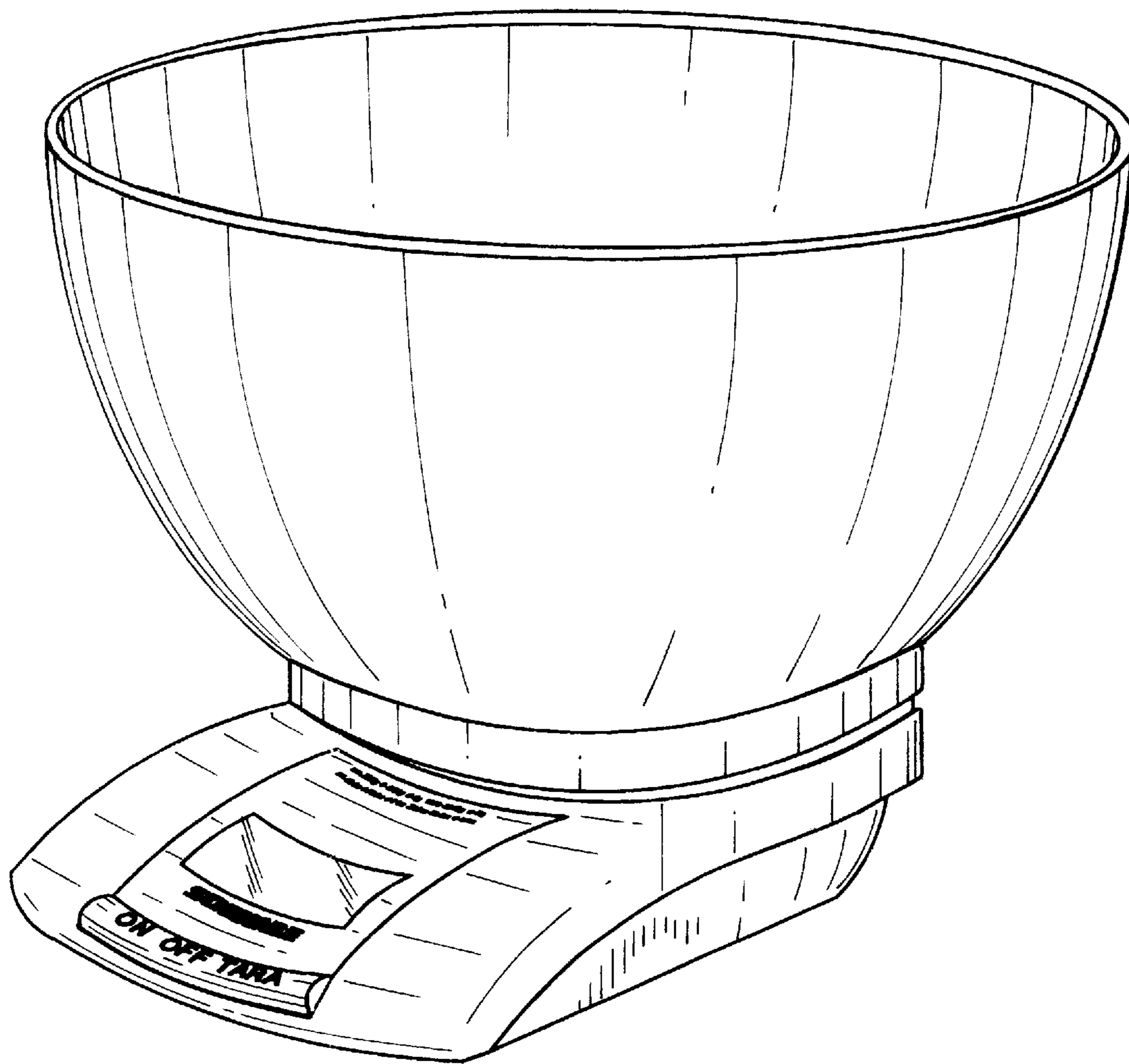


FIG. 2

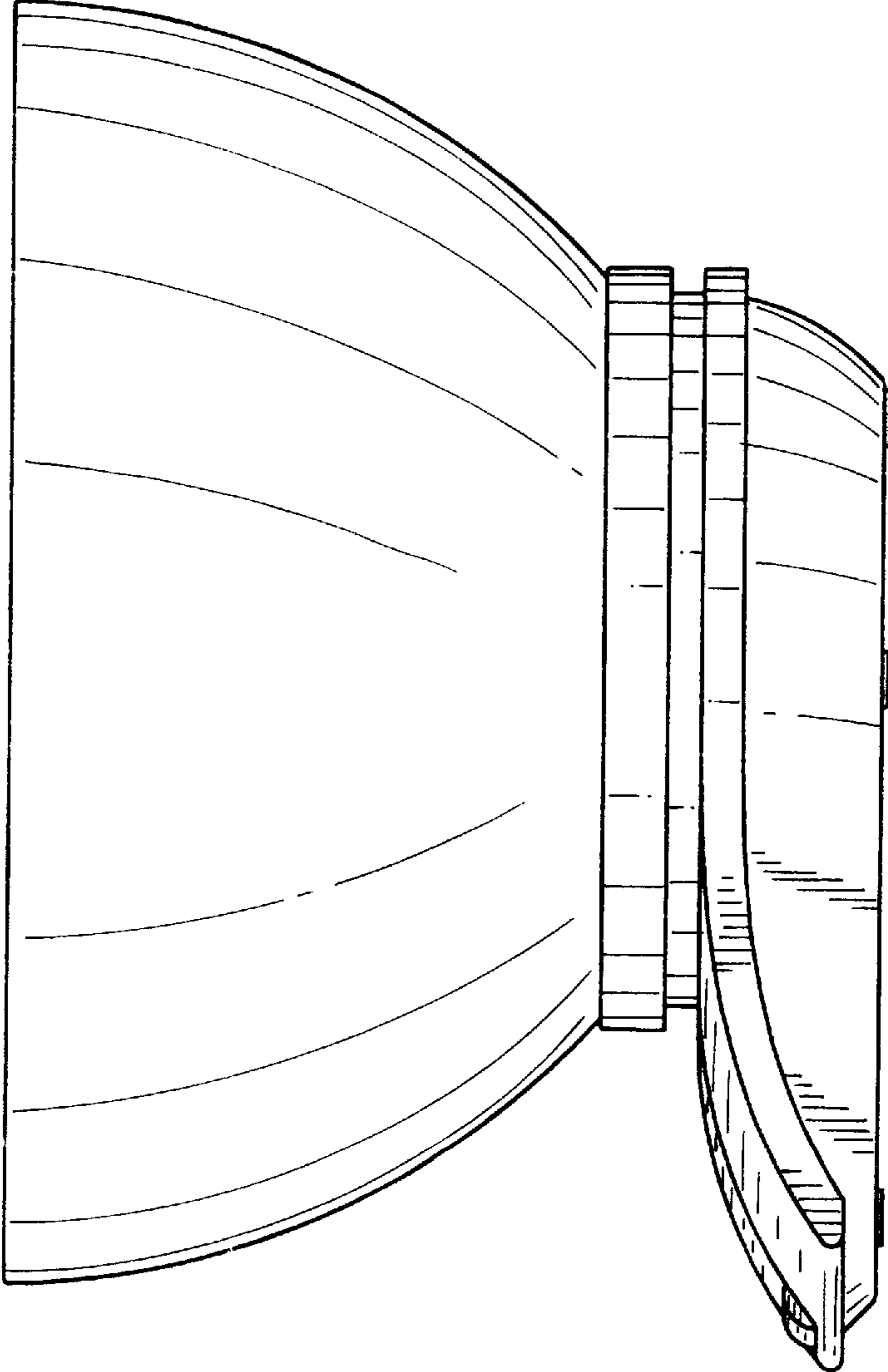
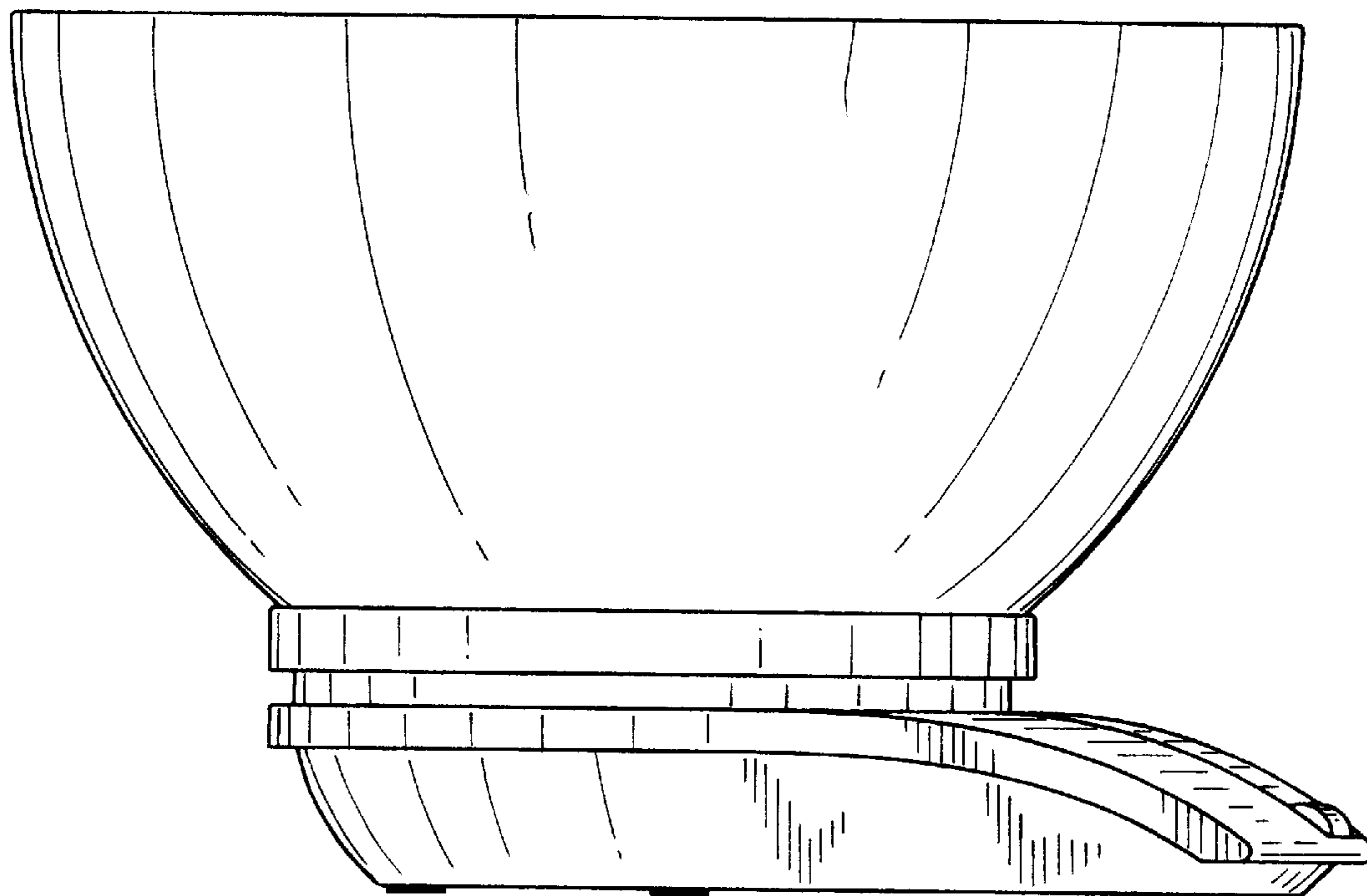
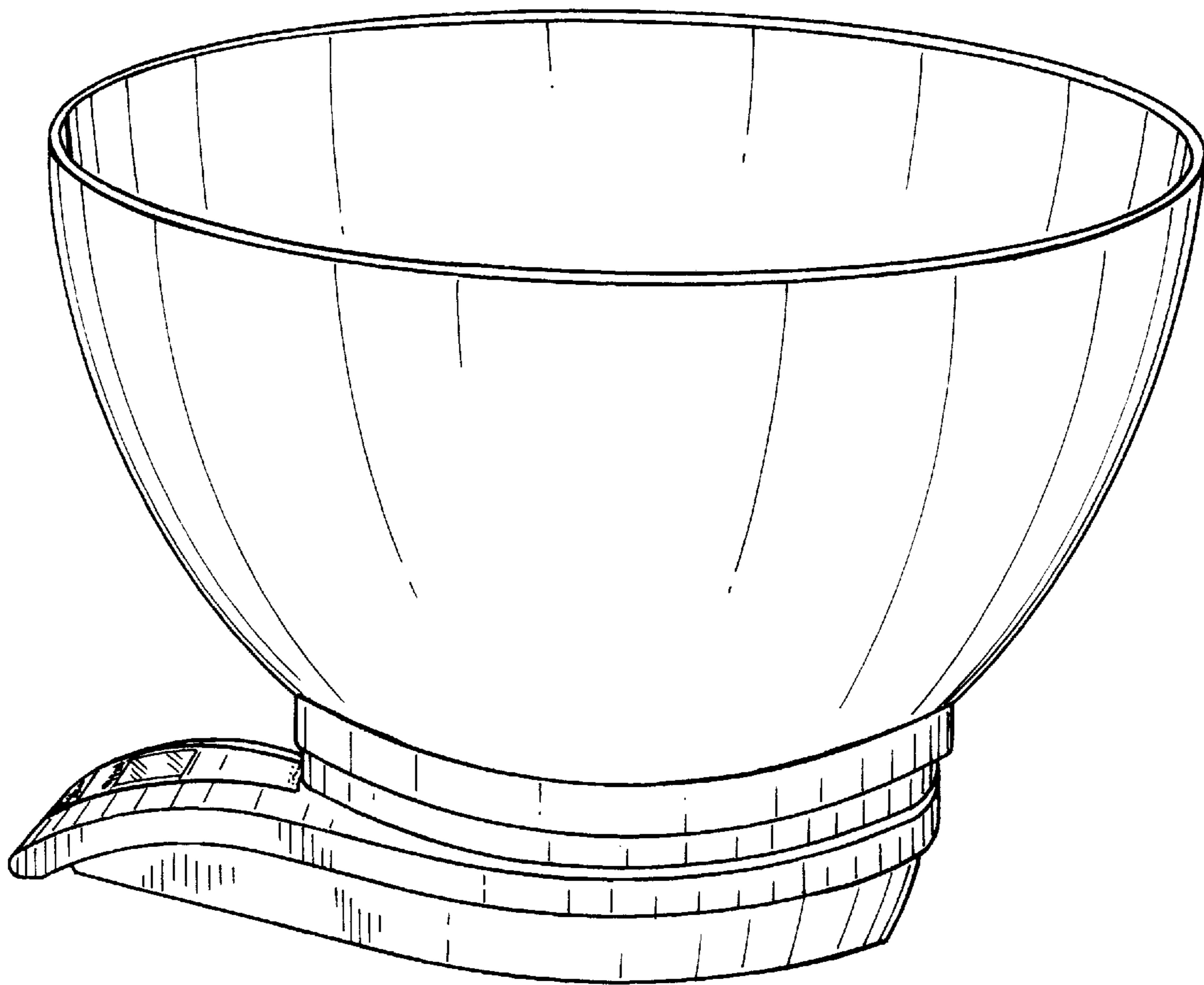


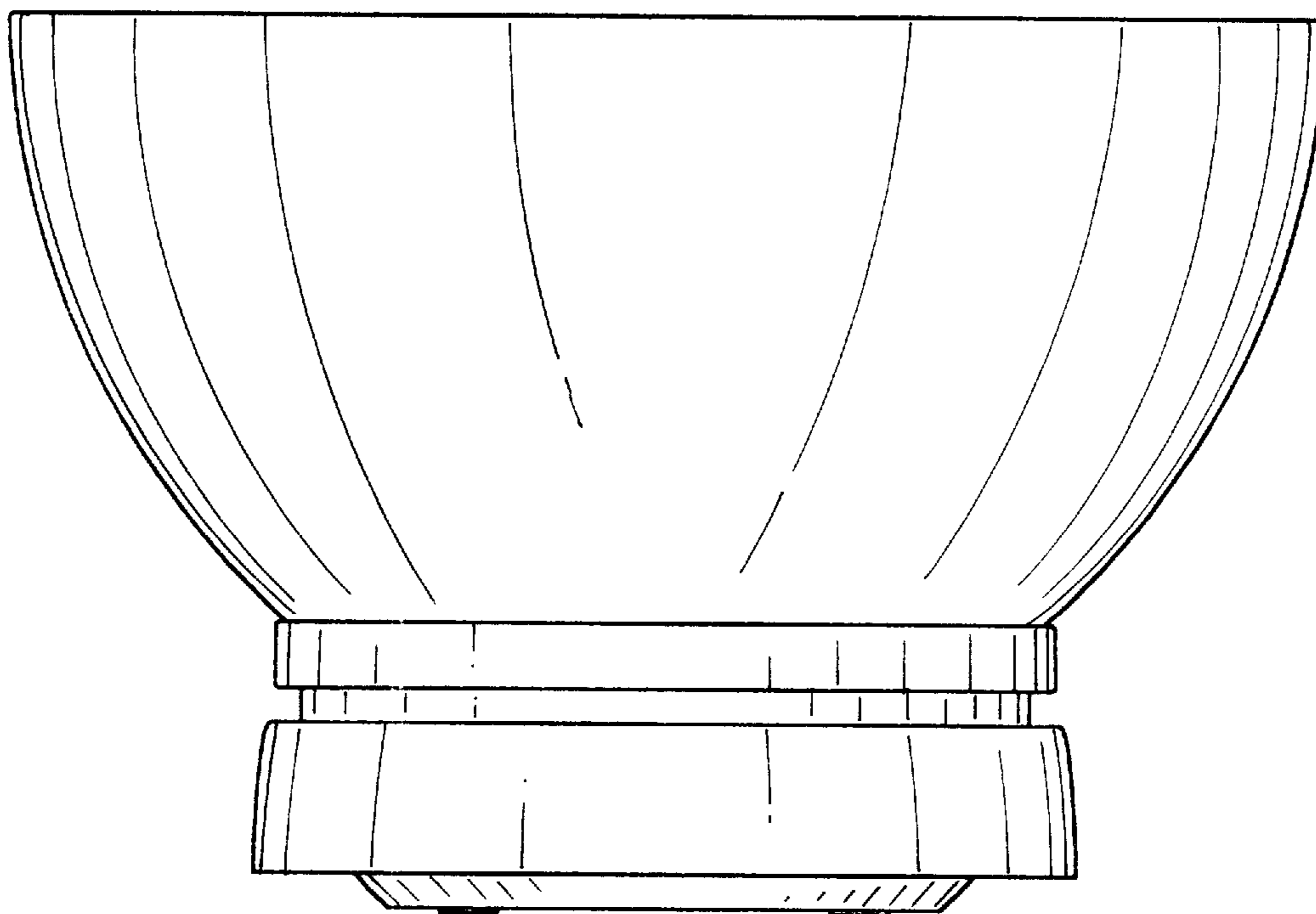
FIG. 3



*FIG. 4*



*FIG. 5*



*FIG. 6*

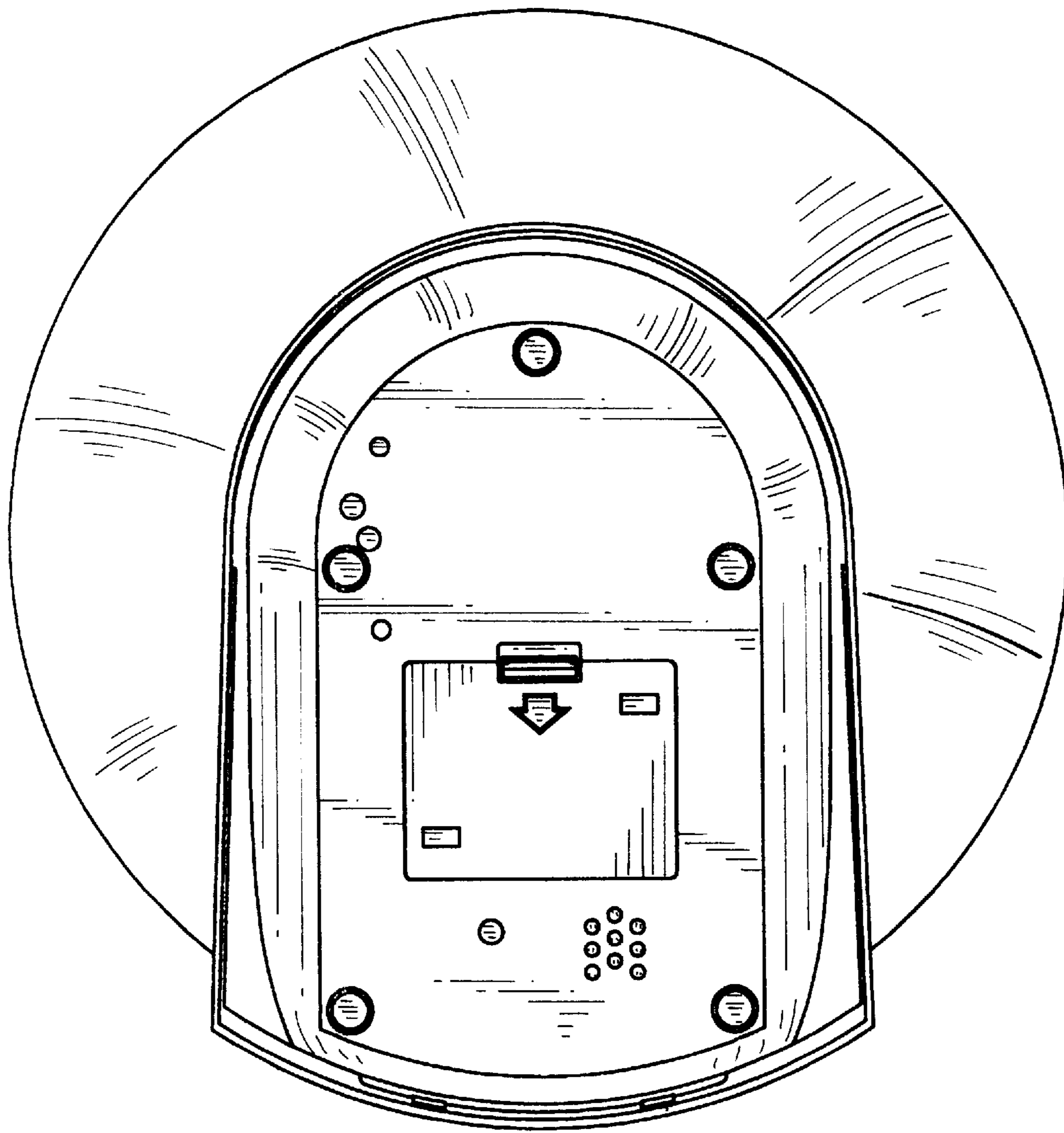


FIG. 7



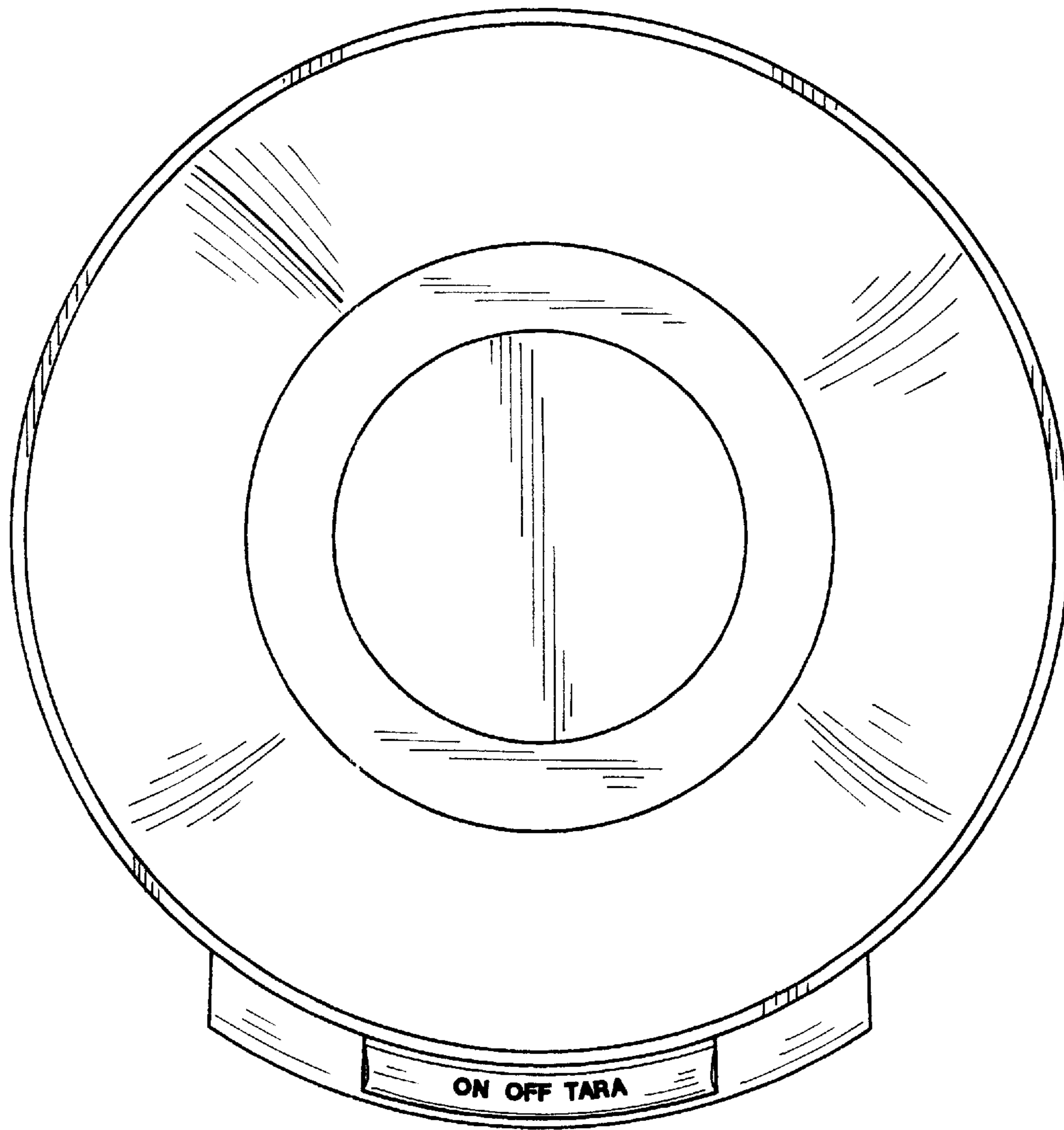


FIG. 8