



US00D395609S

# United States Patent [19]

Knieriem et al.

[11] Patent Number: **Des. 395,609**

[45] Date of Patent: **\*\*Jun. 30, 1998**

[54] **MEDICAL THERMOMETER**

[75] Inventors: **Alan Scott Knieriem**, Baldwinsville;  
**Devin Glen Cooper**, Fairport, both of  
N.Y.

[73] Assignee: **Welch Allyn, Inc.**, Skaneateles Falls,  
N.Y.

[\*\*] Term: **14 Years**

[21] Appl. No.: **71,110**

[22] Filed: **May 14, 1997**

[51] **LOC (6) Cl.** ..... **10-04**

[52] **U.S. Cl.** ..... **D10/57**

[58] **Field of Search** ..... D10/57; 128/664,  
128/736; 374/130-132, 158, 170, 208

[56] **References Cited**

**U.S. PATENT DOCUMENTS**

- D. 255,997 7/1980 Maeda ..... D10/57
- D. 264,190 5/1982 Muller ..... D10/57
- D. 293,215 12/1987 Bruno et al. .... D10/57

- D. 300,515 4/1989 Chan ..... D10/57
- D. 300,727 4/1989 Fukushima ..... D10/57
- D. 300,728 4/1989 Ross ..... D10/57
- D. 300,907 5/1989 Zernell ..... D10/57
- D. 354,921 1/1995 Narayanan ..... D10/57

*Primary Examiner*—Antoine Duval Davis  
*Attorney, Agent, or Firm*—Wall Marjama & Bilinski

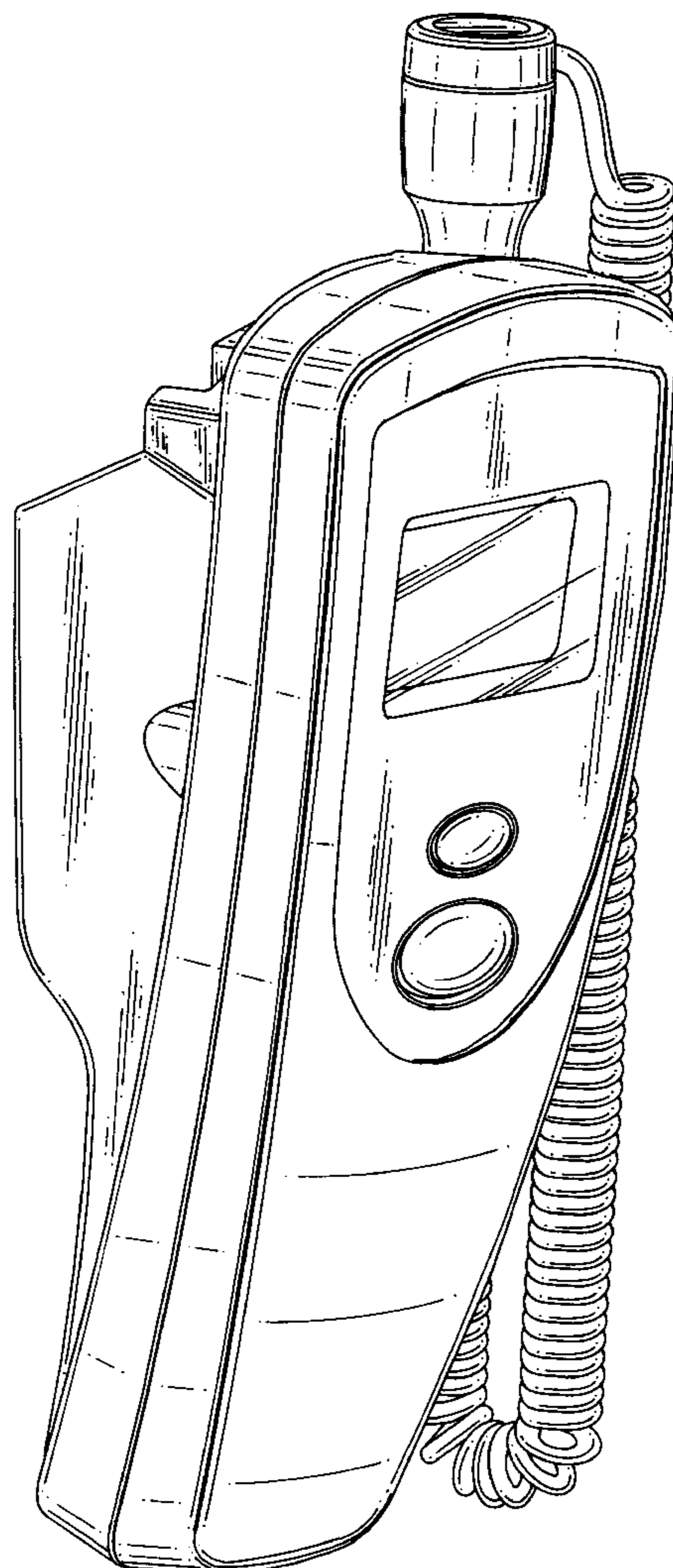
[57] **CLAIM**

The ornamental design for a medical thermometer, as shown and described.

**DESCRIPTION**

FIG. 1 is a front perspective view of a medical thermometer showing my new design;  
FIG. 2 is a rear perspective view;  
FIG. 3 is a left side view;  
FIG. 4 is a front view;  
FIG. 5 is a right side view;  
FIG. 6 is a rear view;  
FIG. 7 is a top view; and,  
FIG. 8 is a bottom view.

**1 Claim, 5 Drawing Sheets**



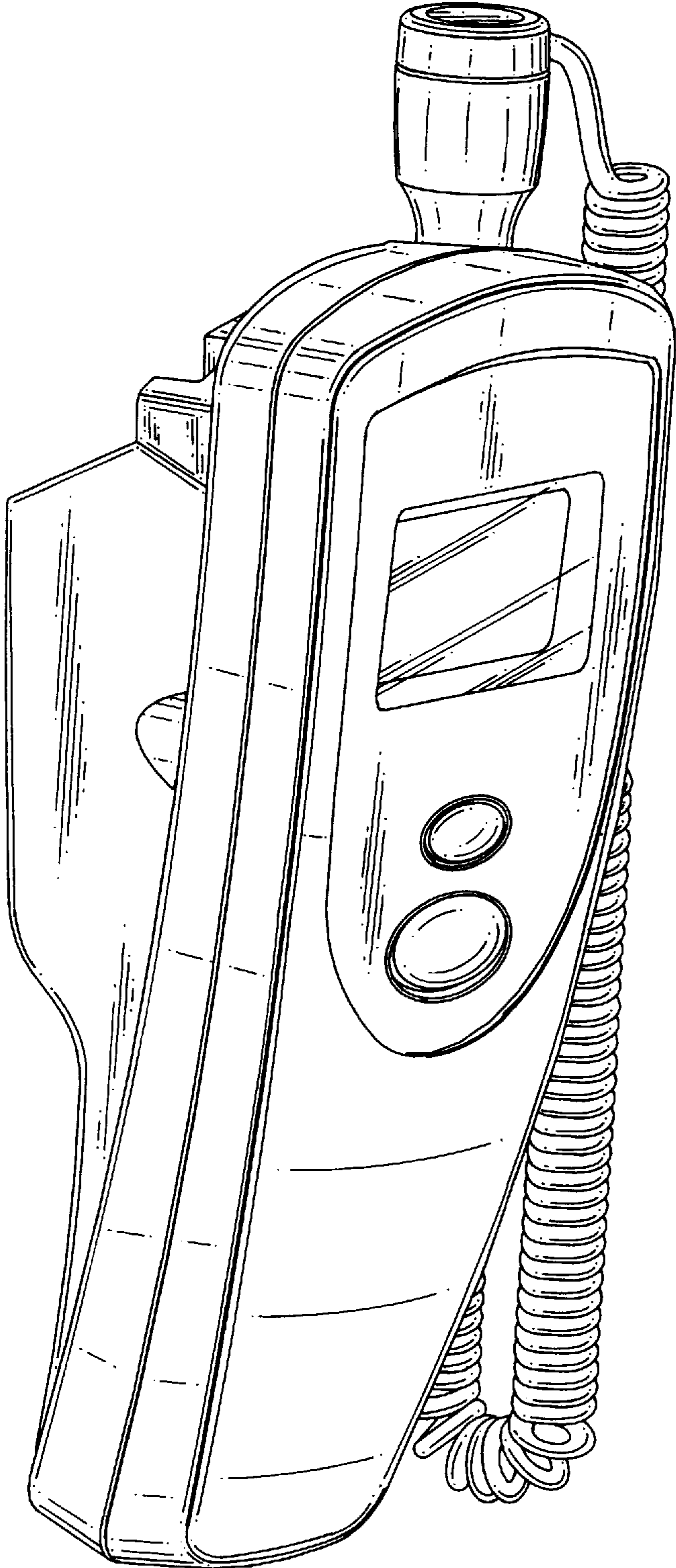


FIG. 1

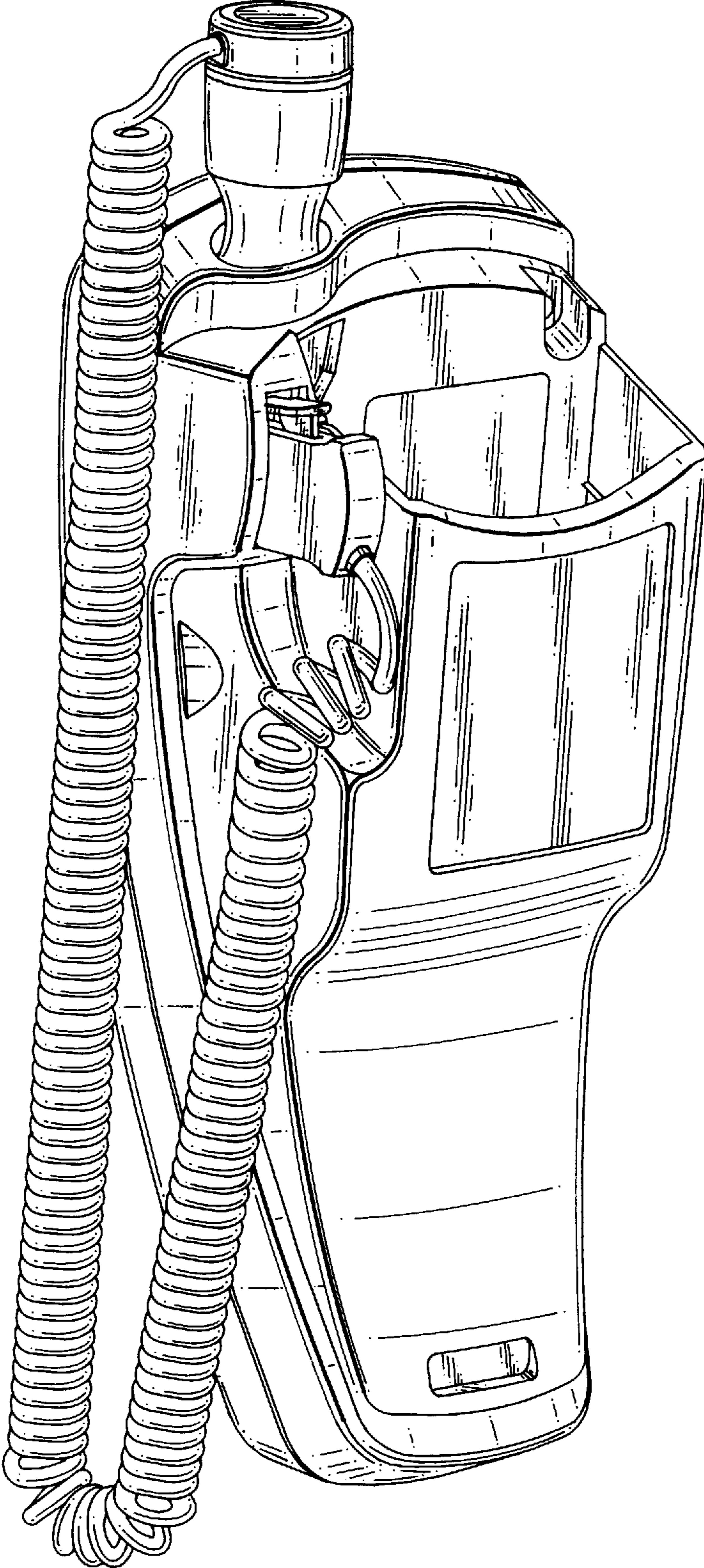


FIG.2

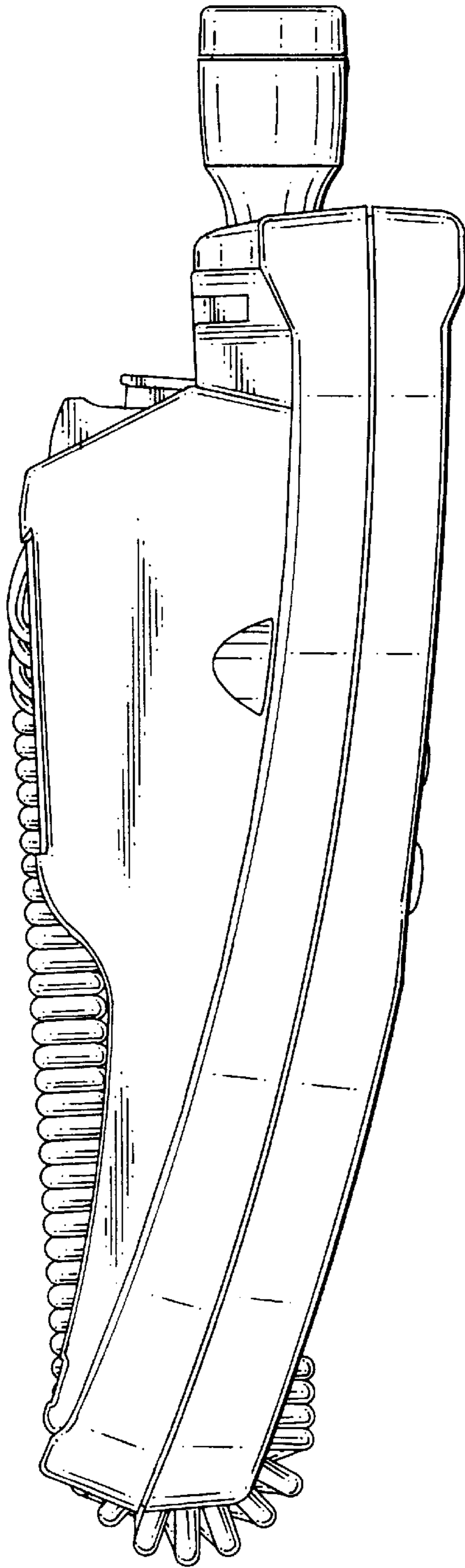


FIG. 3

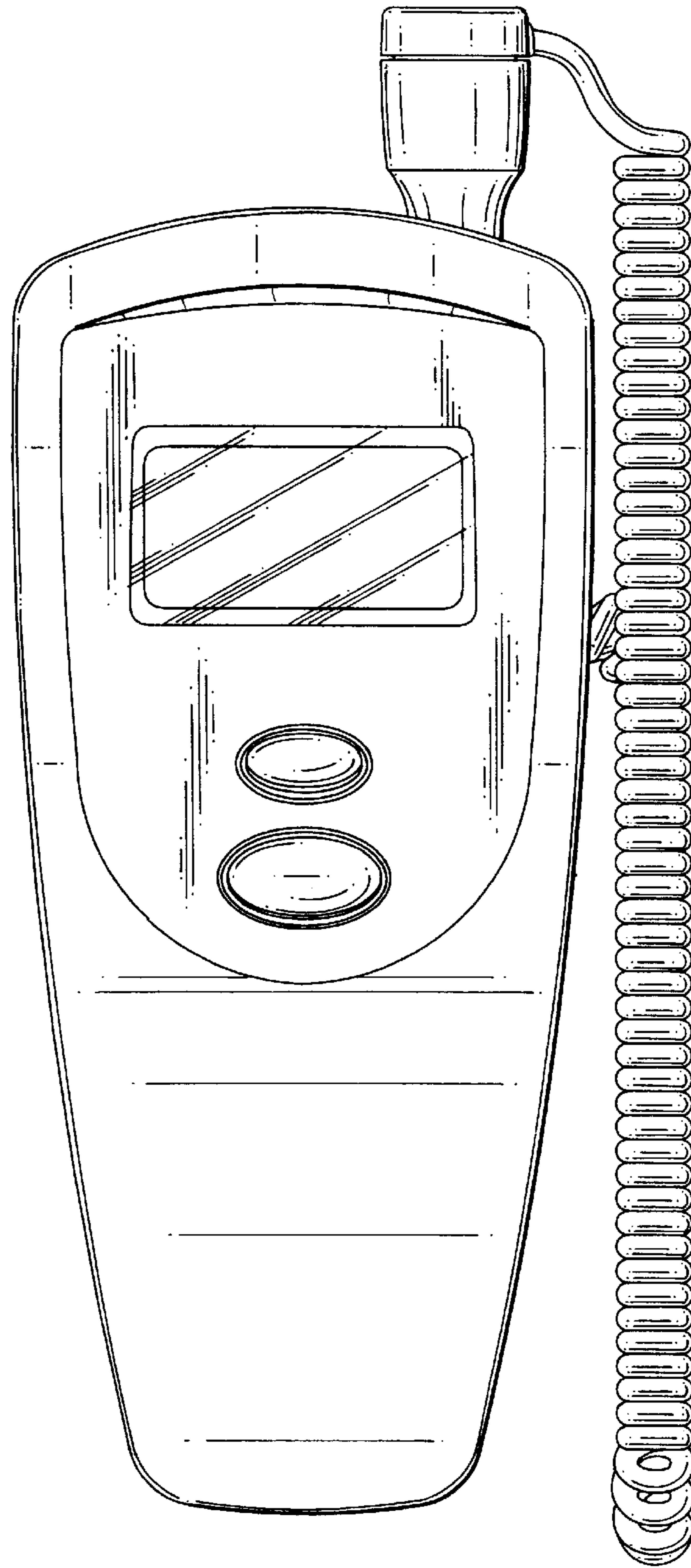


FIG. 4

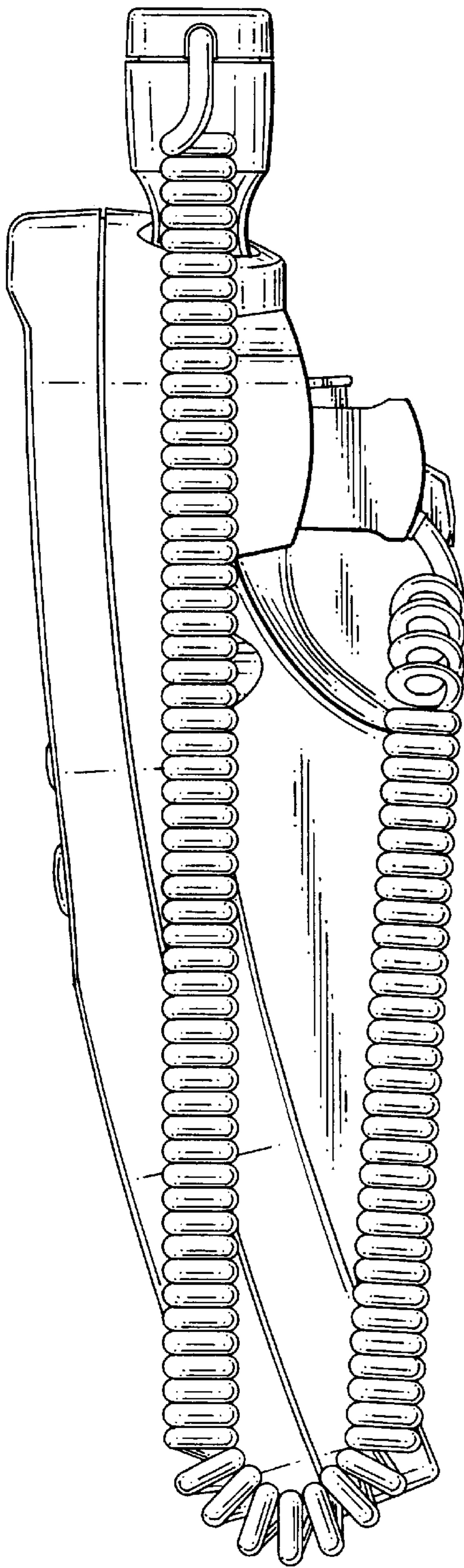


FIG.5

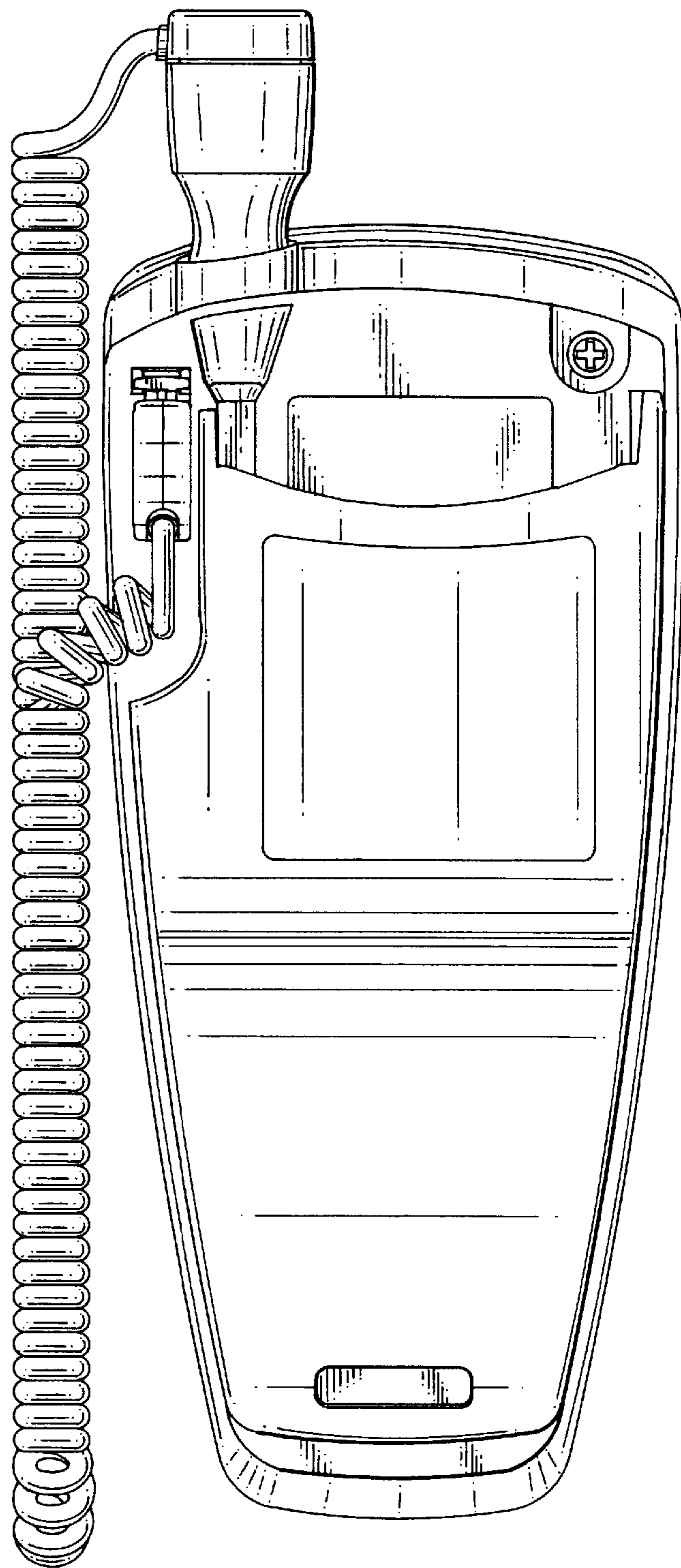


FIG.6

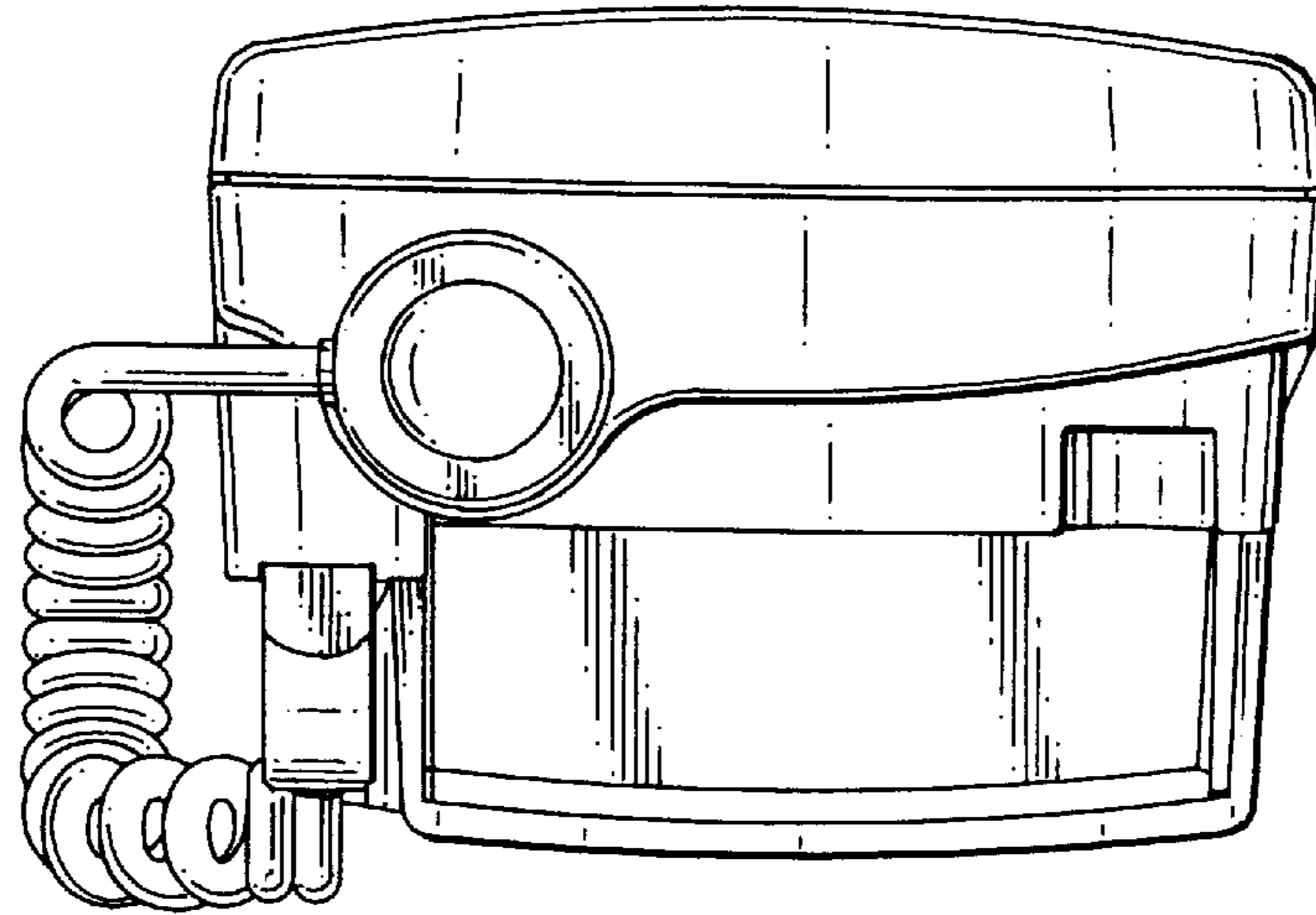


FIG. 7

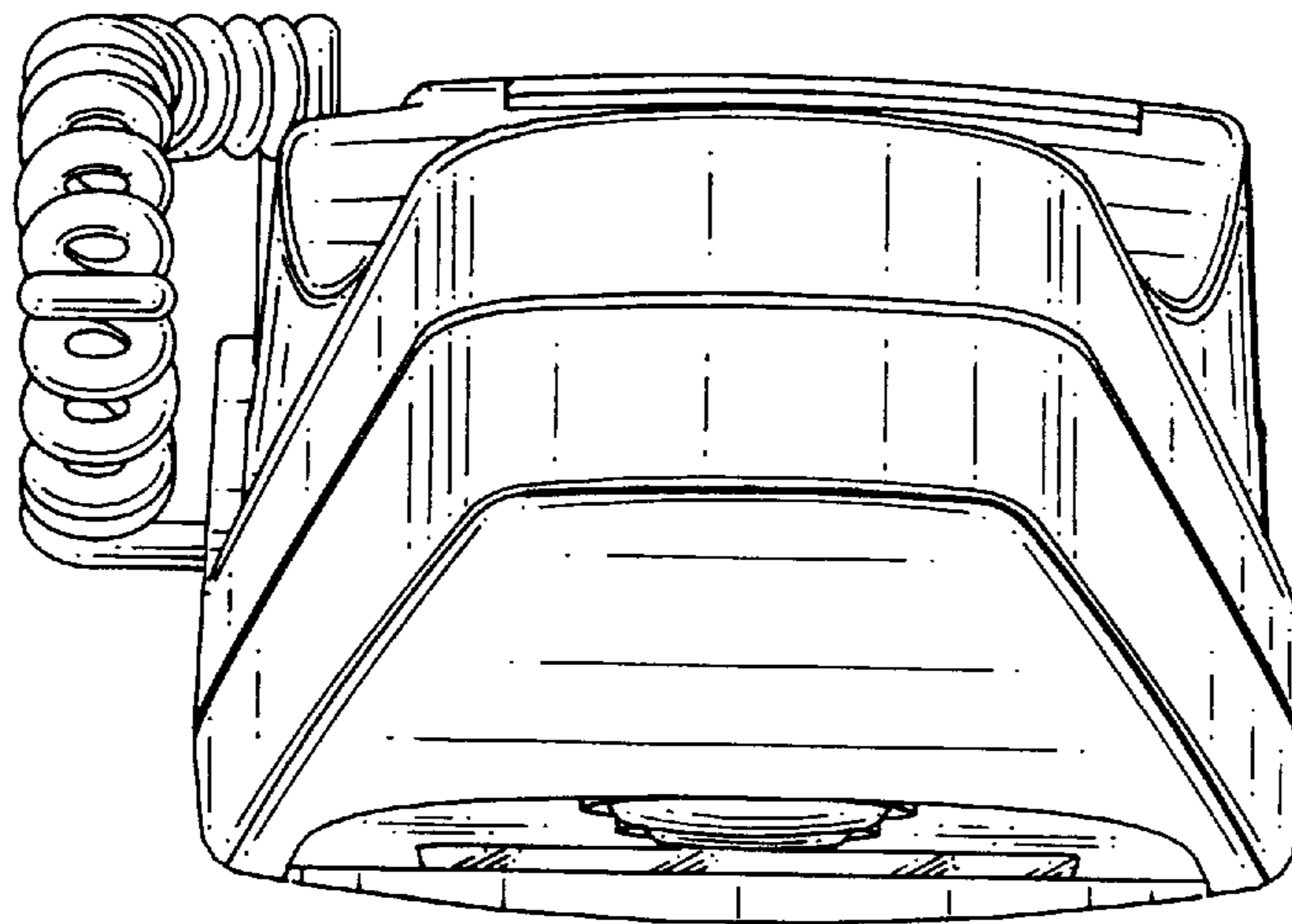


FIG. 8