



US00D395607S

**United States Patent** [19]  
**Chae**

[11] **Patent Number: Des. 395,607**

[45] **Date of Patent: \*\*Jun. 30, 1998**

[54] **CASINO CHIP CLOCK**

[76] Inventor: **Myung Joo Chae**, 272-16 Kum To Dong, Su Jung Ku, Sung Nam City, Kyungi Ki-Do, Rep. of Korea

[\*\*] Term: **14 Years**

[21] Appl. No.: **62,186**

[22] Filed: **Nov. 8, 1996**

[51] **LOC (6) Cl. .... 10-01**

[52] **U.S. Cl. .... D10/6; D10/23**

[58] **Field of Search** ..... D10/1-40, 122-132; 368/223, 228-229, 232, 280-282, 285, 276-277

[56] **References Cited**

**U.S. PATENT DOCUMENTS**

D. 7,577	7/1874	Spooner	.....	D21/53
D. 149,613	5/1948	Caestecker	.....	D21/53
D. 151,758	11/1948	Hart	.....	D21/51
D. 240,053	5/1976	Garaventa	.....	D21/53
D. 351,559	10/1994	Helley	.....	D10/39

**FOREIGN PATENT DOCUMENTS**

0069586	6/1981	Japan	.....	368/240
---------	--------	-------	-------	---------

**OTHER PUBLICATIONS**

*Swiss Watch & Jewelry Journal*—Feb. 1987—p. 434  
Watches at top-left.

*Primary Examiner*—Nelson C. Holtje  
*Attorney, Agent, or Firm*—Robert O. Guillot

[57] **CLAIM**

The ornamental design for a casino chip clock, as shown and described.

**DESCRIPTION**

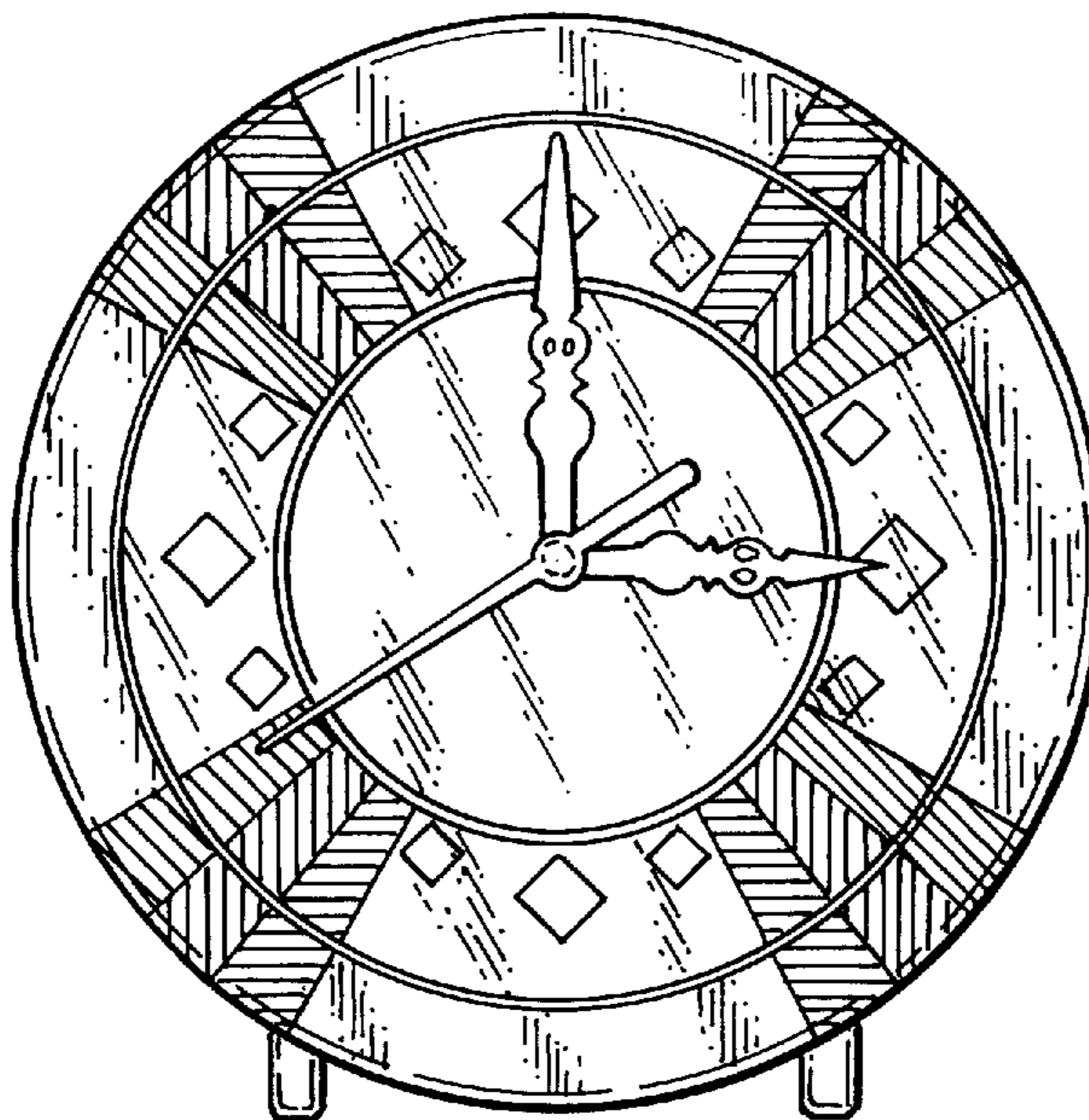
FIG. 1 is a front elevational view showing the ornamental appearance of my clock, wherein shading is used to depict color;

FIG. 2 is a rear elevational view of the clock depicted in FIG. 1;

FIG. 3 is a right side elevational view of the clock depicted in FIG. 1, the left side elevational view being a mirror image thereof;

FIG. 4 is a top plan view of the clock depicted in FIG. 1; and, FIG. 5 is a bottom plan view of the clock depicted in FIG. 1.

**1 Claim, 1 Drawing Sheet**



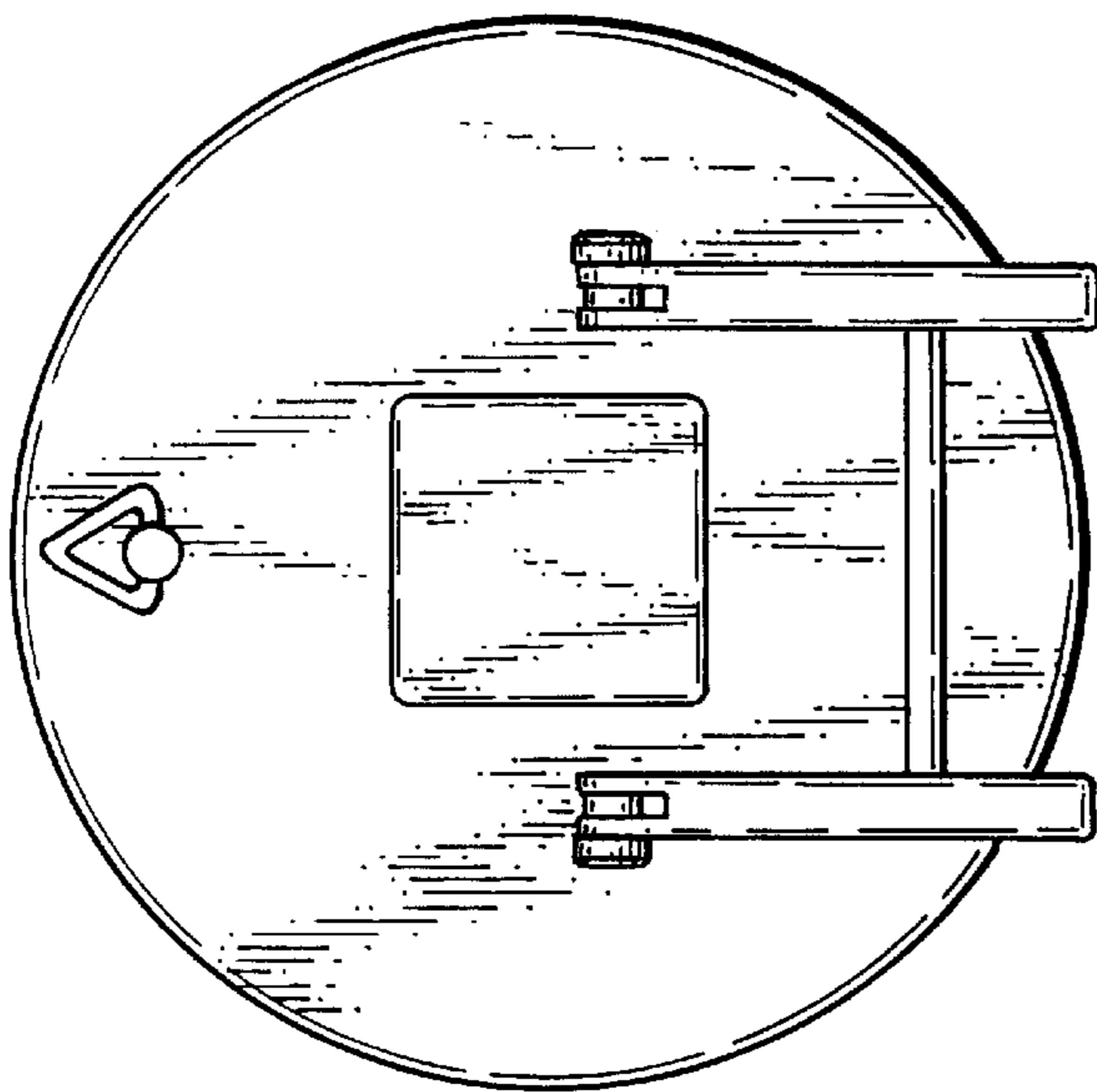


Fig.3

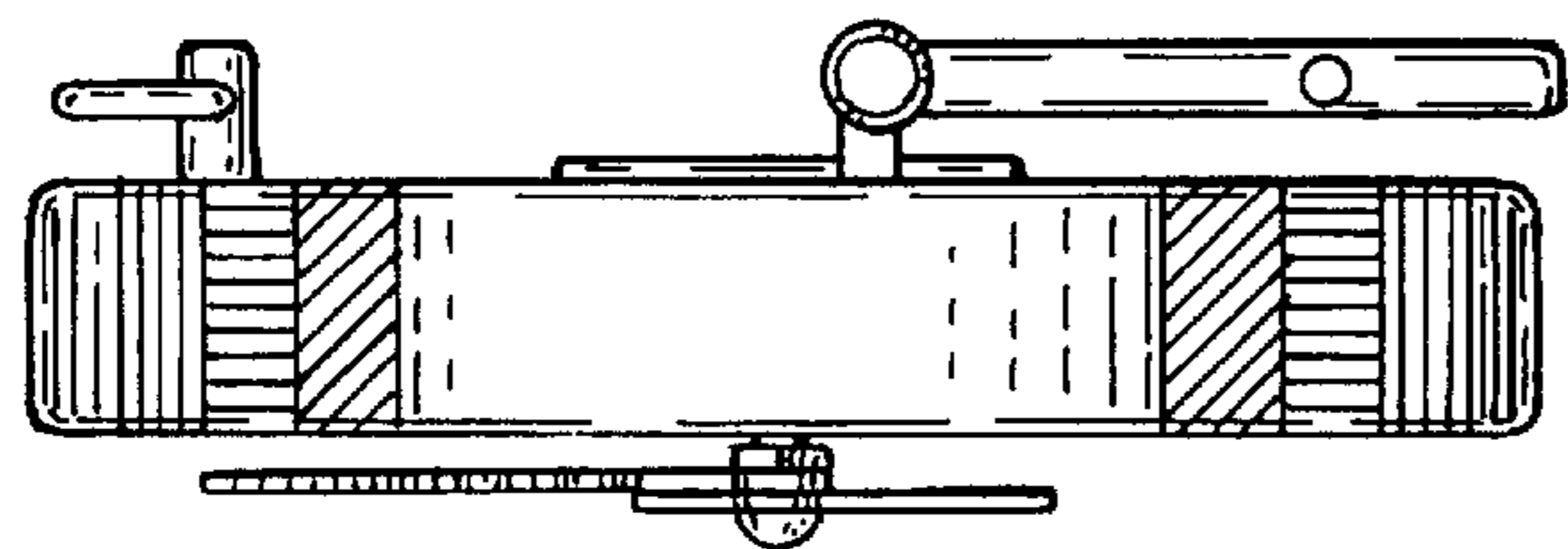


Fig.2

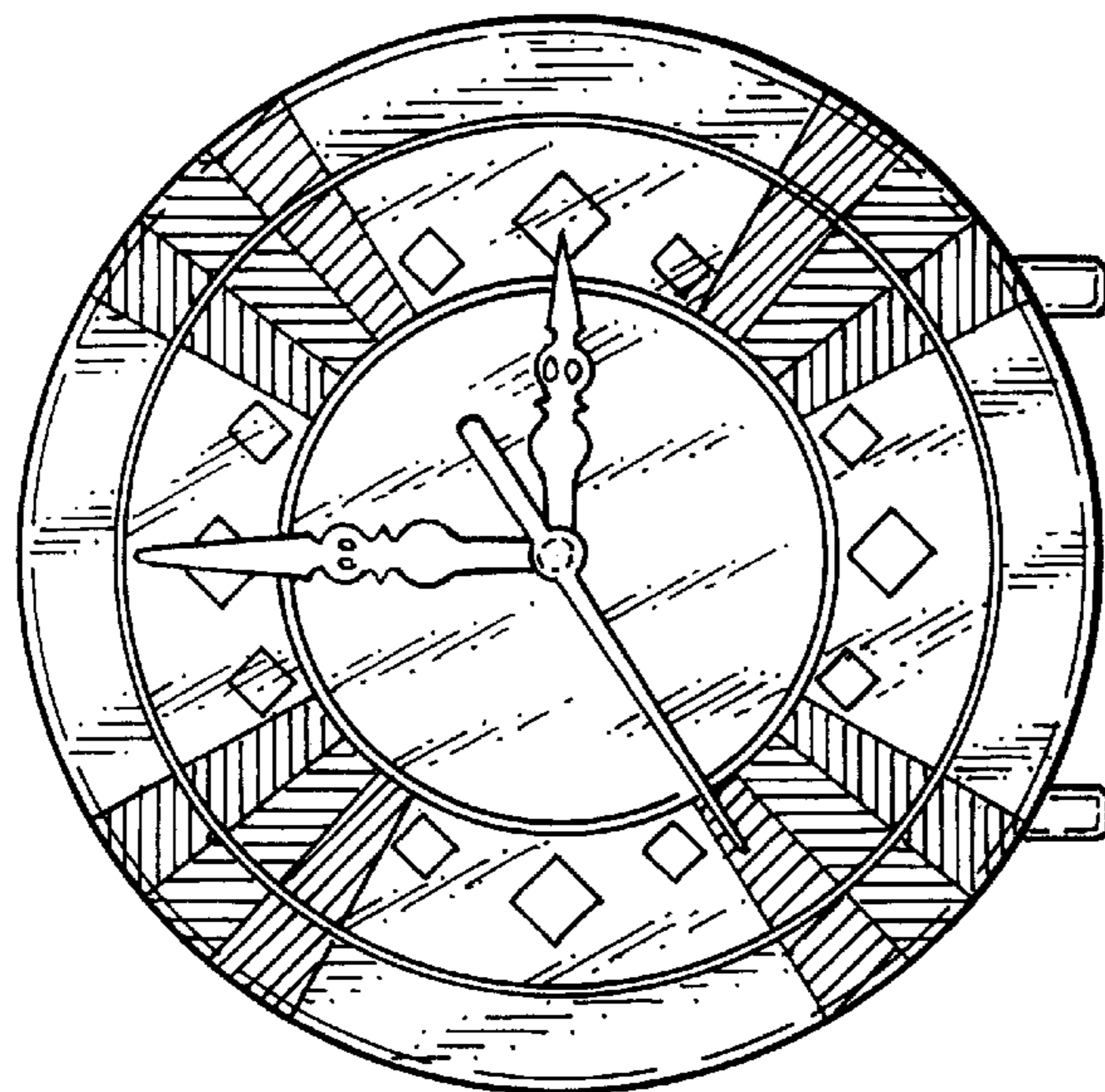


Fig.1

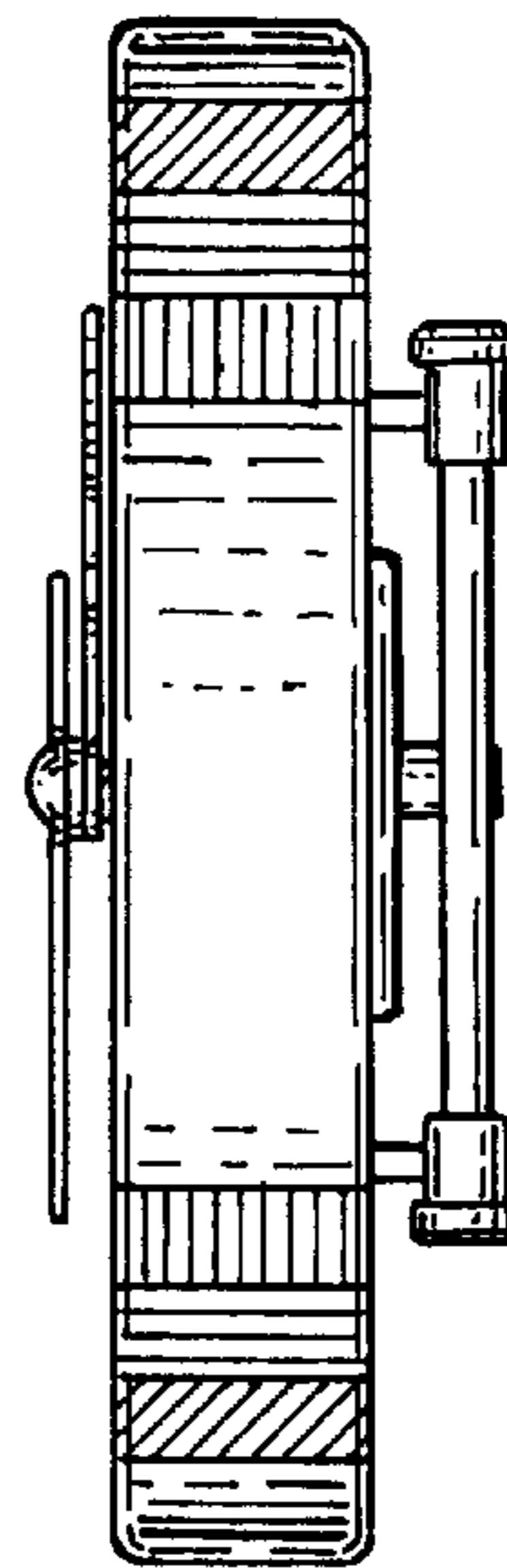


Fig.5

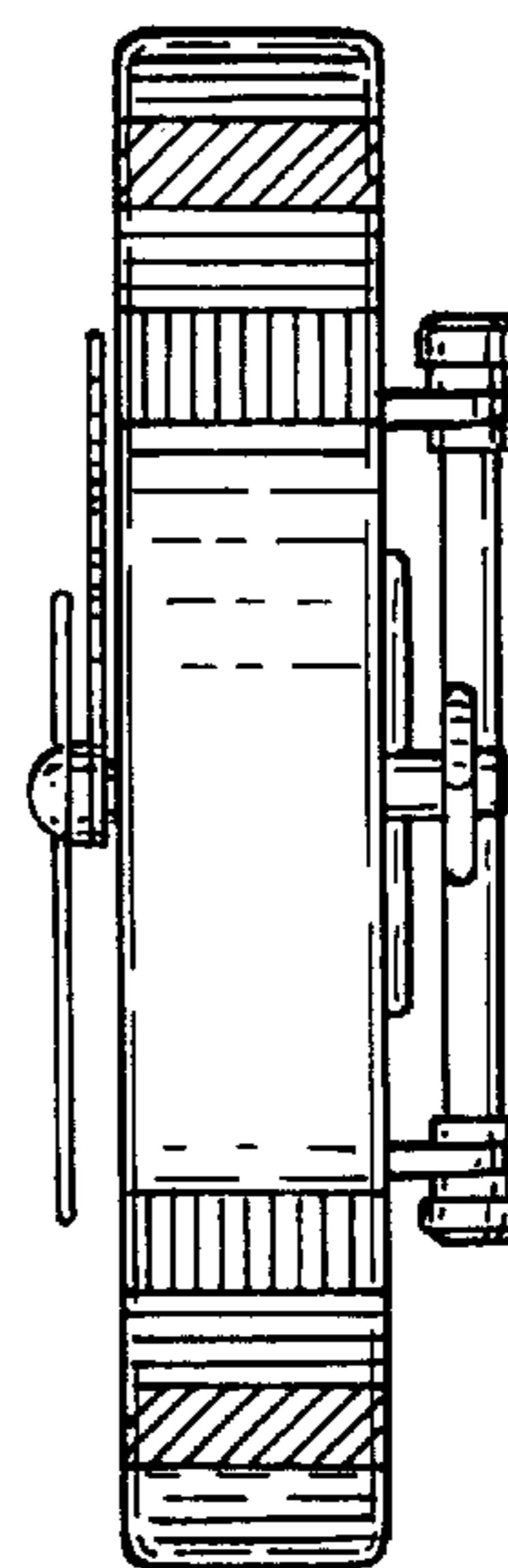


Fig.4