



US00D395605S

United States Patent [19]

Kokenge

[11] **Patent Number: Des. 395,605**

[45] **Date of Patent: **Jun. 30, 1998**

[54] **BOTTLE**

[75] Inventor: **Emily K. Kokenge**, Cincinnati, Ohio

[73] Assignee: **The Procter & Gamble Company**,
Cincinnati, Ohio

[**] Term: **14 Years**

[21] Appl. No.: **60,718**

[22] Filed: **Oct. 4, 1996**

[51] **LOC (6) Cl.** **09-01**

[52] **U.S. Cl.** **D9/571**

[58] **Field of Search** D9/571, 544, 546,
D9/542, 572-575, 560; 215/382; 222/206,
212, 213, 215

[56] **References Cited**

U.S. PATENT DOCUMENTS

- D. 103,048 2/1937 Higgins D9/571
- D. 180,828 8/1957 Funkey D9/571
- D. 200,262 2/1965 Heintze D9/571
- D. 210,626 3/1968 Vanderhyde D9/571

- D. 214,663 7/1969 Brickey, Jr. D9/560
- D. 220,561 4/1971 Quintal D9/571
- D. 345,920 4/1994 Gobe D9/560

OTHER PUBLICATIONS

Beauty Fashion, Sep. 1966, p. 118, Coty "Imprevu" bottle.

Primary Examiner—Lucy Lieberman

Attorney, Agent, or Firm—Michael J. D'Amelio

[57] **CLAIM**

The ornamental design for a bottle, as shown and described.

DESCRIPTION

FIG. 1 is a front elevation of a bottle showing my new design, the rear elevation is the same;

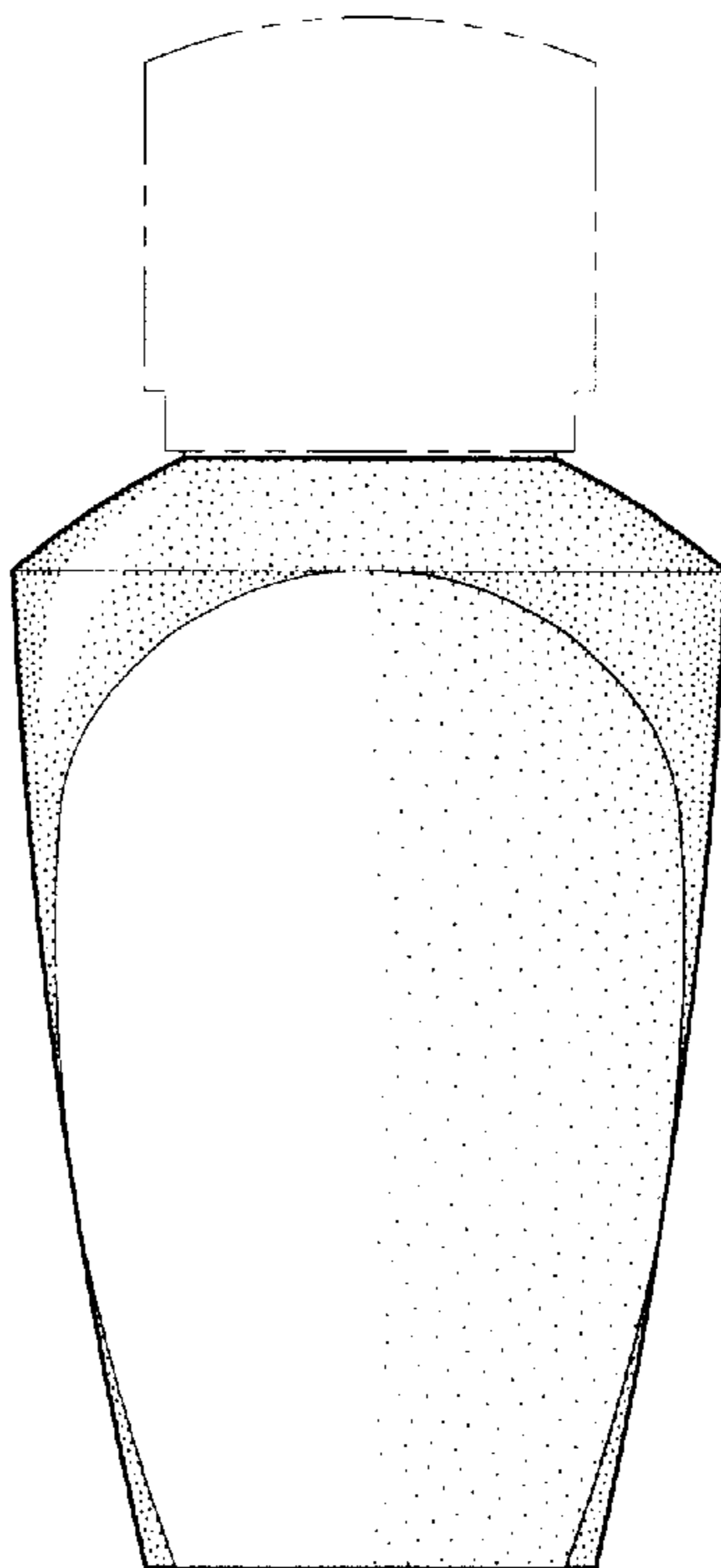
FIG. 2 is a side elevation thereof, the opposite side is the same;

FIG. 3 is a top plan view; and,

FIG. 4 is a bottom plan view.

The broken lines shown in the figures are for illustrative purposes only, and form no part of the claimed design.

1 Claim, 1 Drawing Sheet



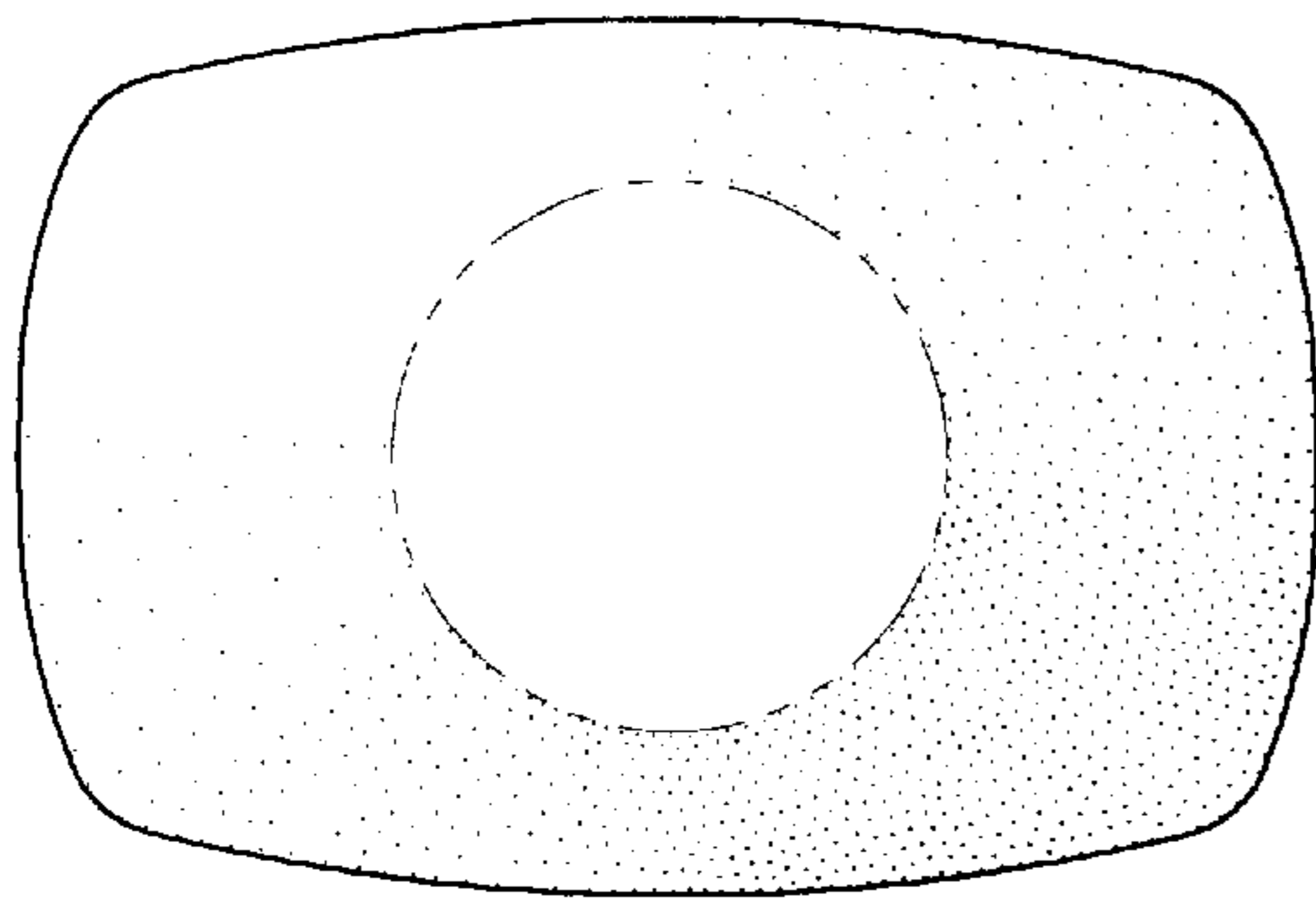


Fig. 3

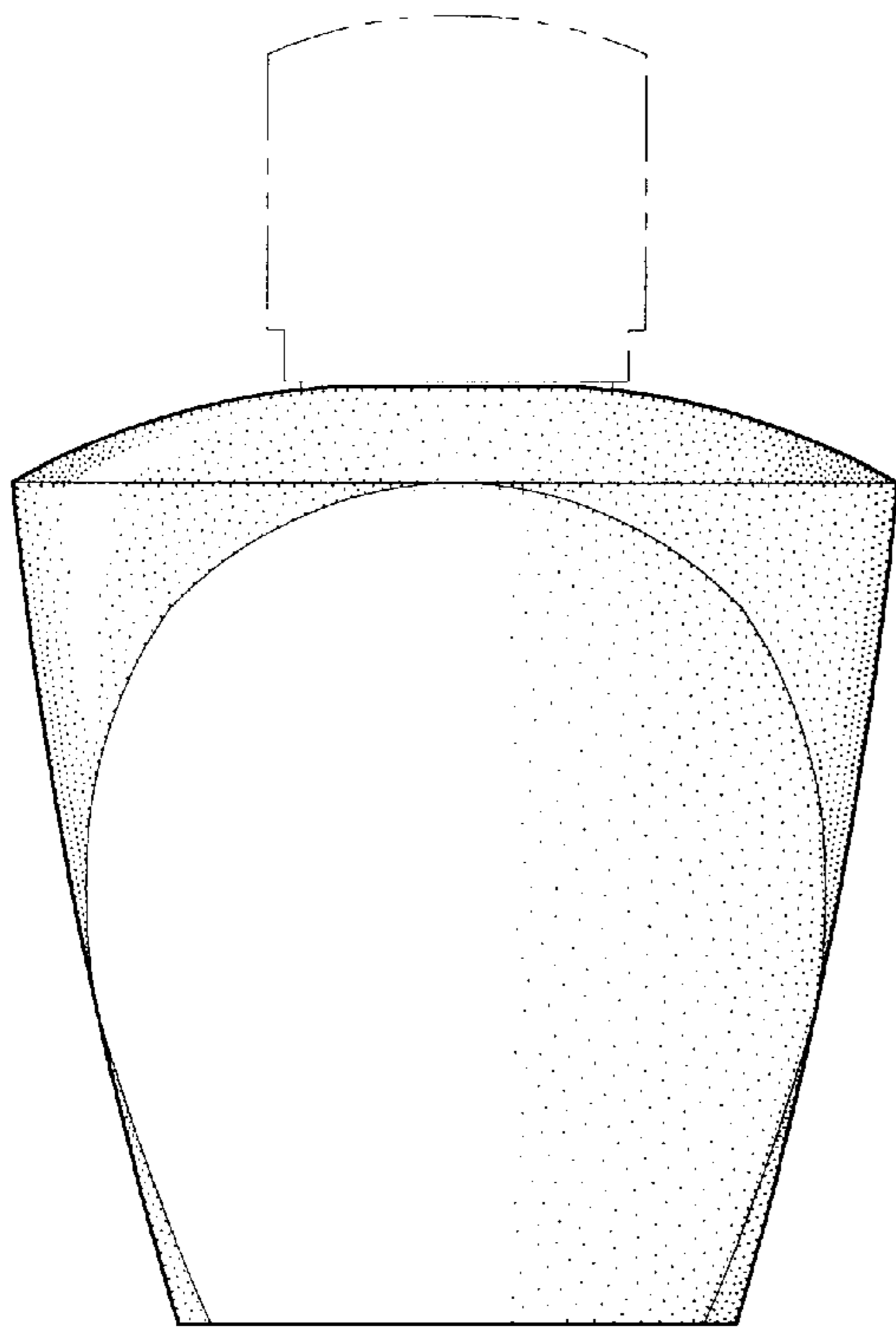


Fig. 1

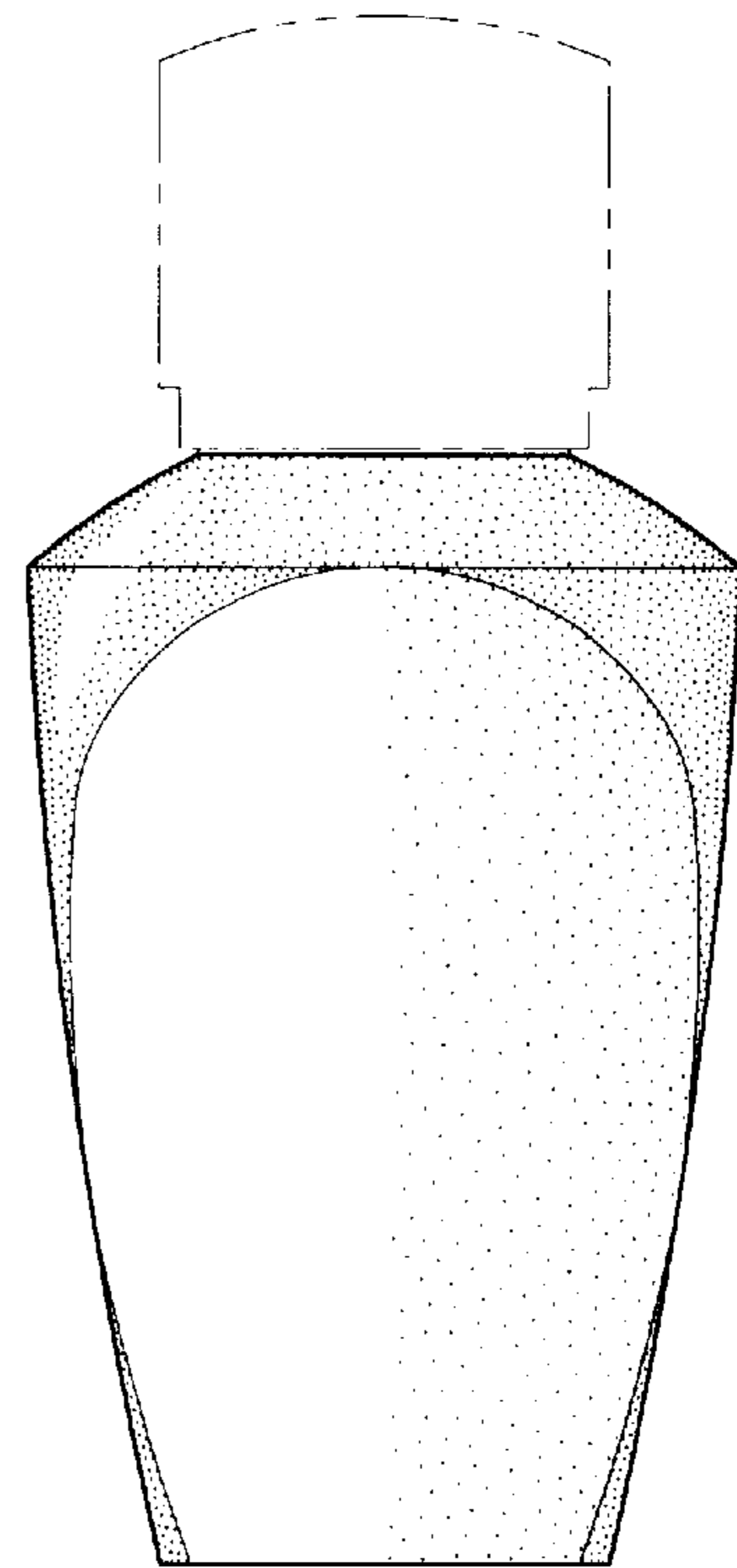


Fig. 2

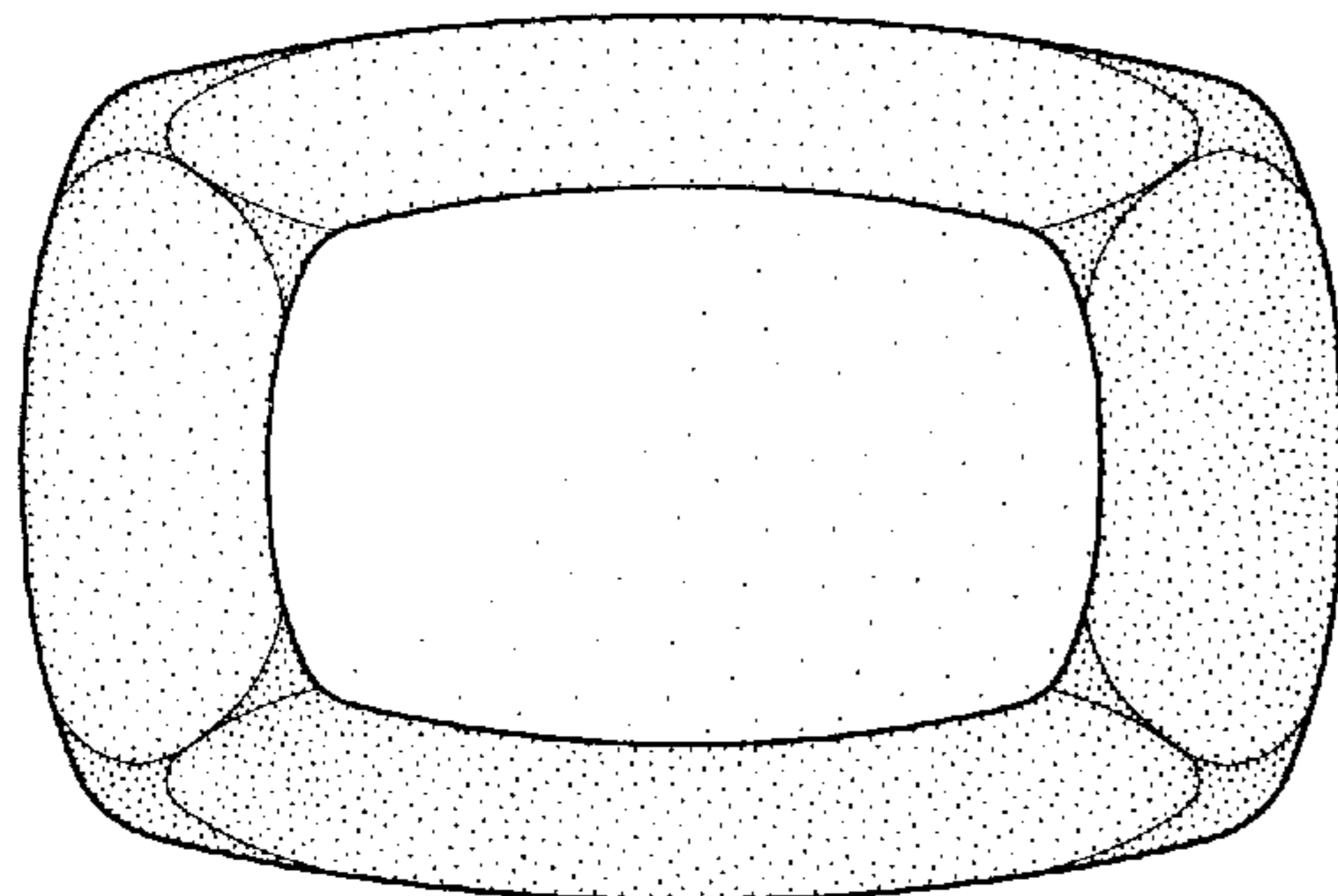


Fig. 4