

US00D395600S

United States Patent [19]

[11] **Patent Number: Des. 395,600**

Borghorst et al.

[45] **Date of Patent: **Jun. 30, 1998**

[54] **PACKAGE FOR CONTACT LENS CONTAINERS**

[75] Inventors: **Sharla Borghorst**, Breda, Netherlands; **Erich Bauman**, Goldbach, Germany; **Peter Herbrechtsmeier**, Königstein, Germany; **David Pietrobon**, Hofheim/Taunus, Germany; **Michele De Lucchi**, Angera, Italy; **Torsten Fritze**; **Masahiko Kubo**, both of Milan, Italy

[73] Assignee: **CIBA Geigy Corp.**, Tarrytown, N.Y.

[**] Term: **14 Years**

[21] Appl. No.: **49,199**

[22] Filed: **Jan. 19, 1996**

[51] **LOC (6) Cl.** **09-07**

[52] **U.S. Cl.** **D9/432**

[58] **Field of Search** D3/201, 205, 219, D3/263, 264; D9/414, 416, 423, 430, 432, 433, 346; 206/5.1; 229/116.1, 144, 145

[56] **References Cited**

U.S. PATENT DOCUMENTS

D. 313,936	1/1991	Ferrero	D9/432 X
4,191,323	3/1980	Webinger	229/116.1
4,326,634	4/1982	Meyers	229/145 X
4,813,594	3/1989	Brown et al.	229/103
4,979,669	12/1990	Kerton	229/145 X

Primary Examiner—Ted Shooman

Assistant Examiner—Nanda Bondade

Attorney, Agent, or Firm—Michael U. Lee; R. Scott Meece

[57] **CLAIM**

The ornamental design for a package for contact lens containers, as shown and described.

DESCRIPTION

FIG. 1 is a perspective view of a package for contact lens containers, from the front side, one side and above;

FIG. 2 is a front view of the package for contact lens containers;

FIG. 3 is a view of the package for contact lens containers from one side;

FIG. 4 is a view of the package for contact lens containers from the other side;

FIG. 5 is a top view of the package for contact lens containers;

FIG. 6 is a bottom view of the package for contact lens containers;

FIG. 7 is a back view of the package for contact lens containers;

FIG. 8 is a perspective view of a package for contact lens containers, from the front side, one side and above, in a handling configuration when opening the package;

FIG. 9 is a perspective view of the package for contact lens containers, in a handling configuration with the package partially opened;

FIG. 10 is a perspective view of the package for contact lens containers, in an open position;

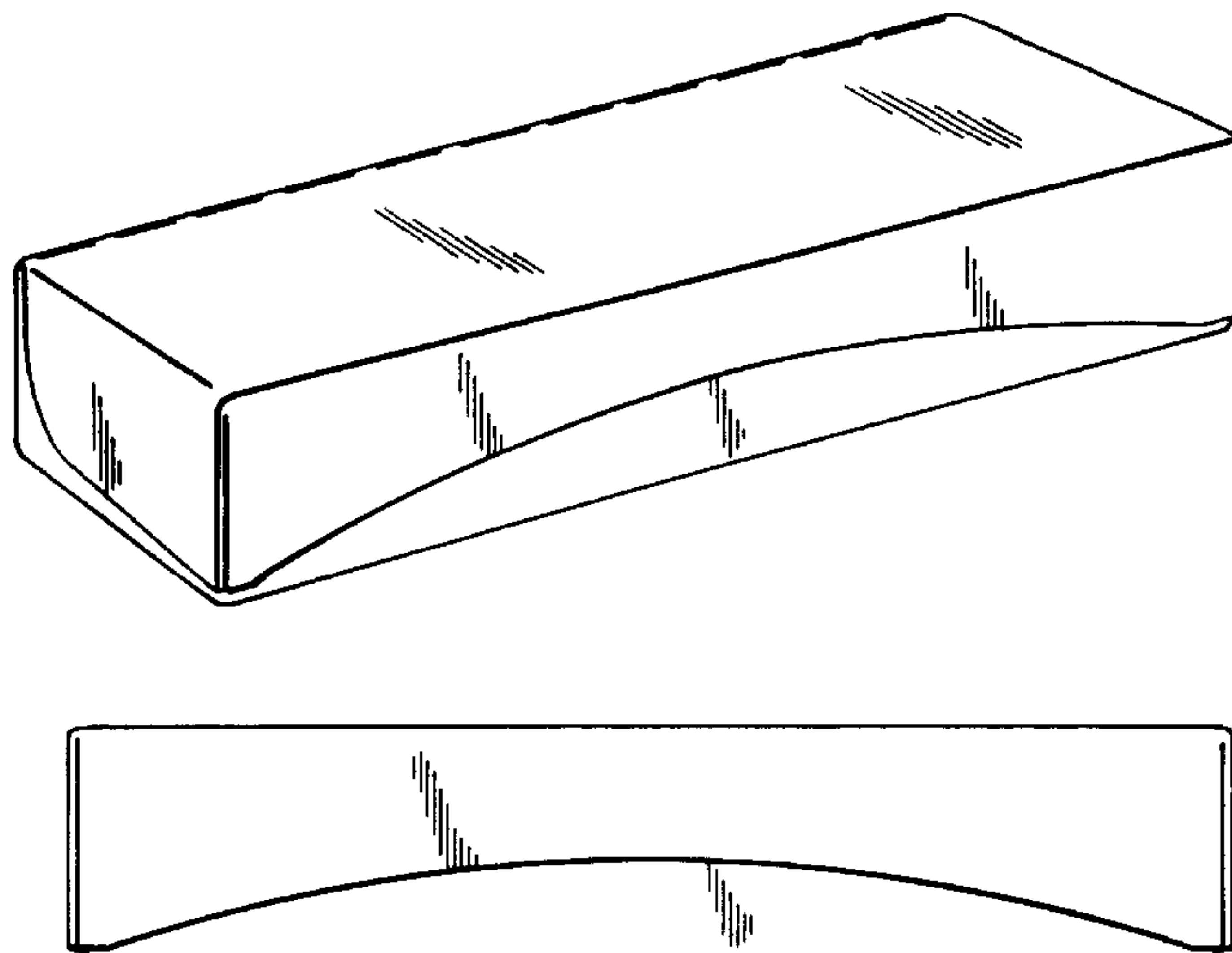
FIG. 11 is an exploded perspective view of the package for contact lens containers, in a configuration with the body part and the lid of the package separated from each other; and,

FIG. 12 is a top view of the blank of the package for contact lens containers.

The broken lines shown in FIGS. 1, 5, 7-8 and 10-12 represent tear lines.

The broken lines showing the hands in FIGS. 8-9 and the contents of the package in FIGS. 9-10 are for illustrative purposes only and from no part of the claimed design.

1 Claim, 6 Drawing Sheets



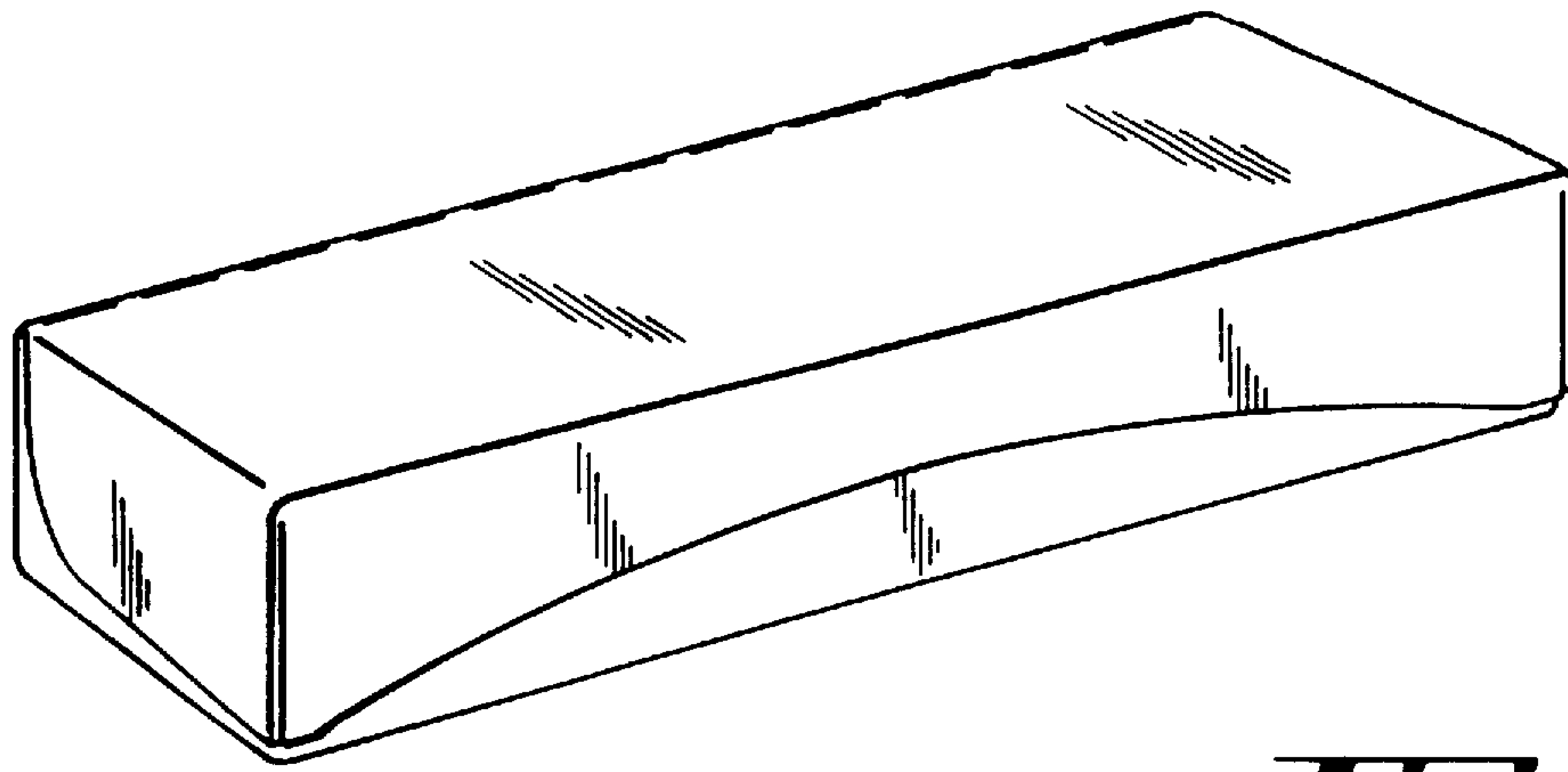


Fig. 1

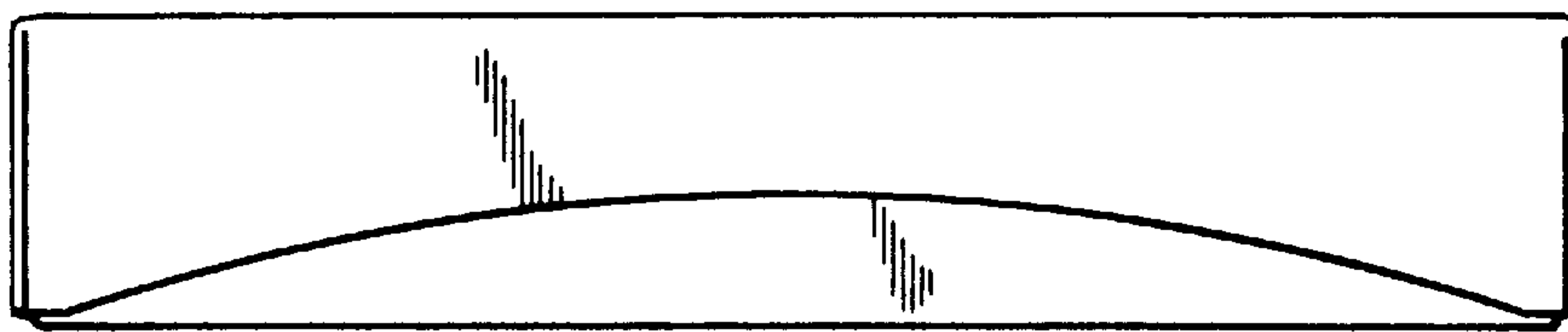


Fig. 2



Fig. 3



Fig. 4

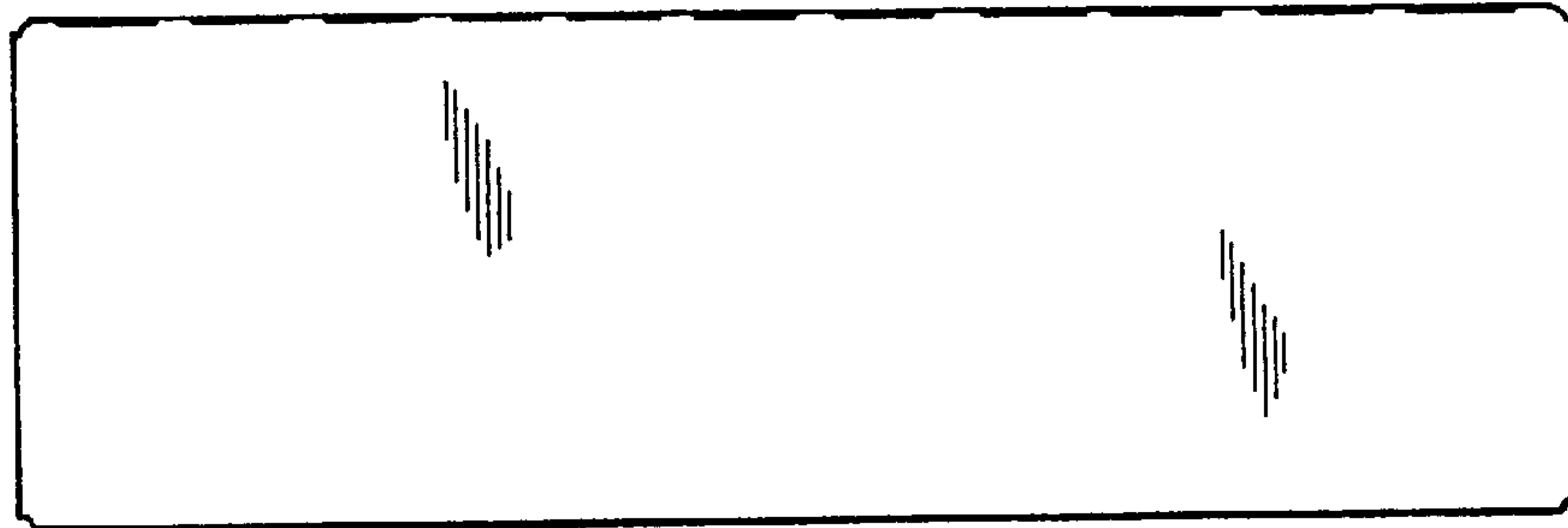


Fig. 5

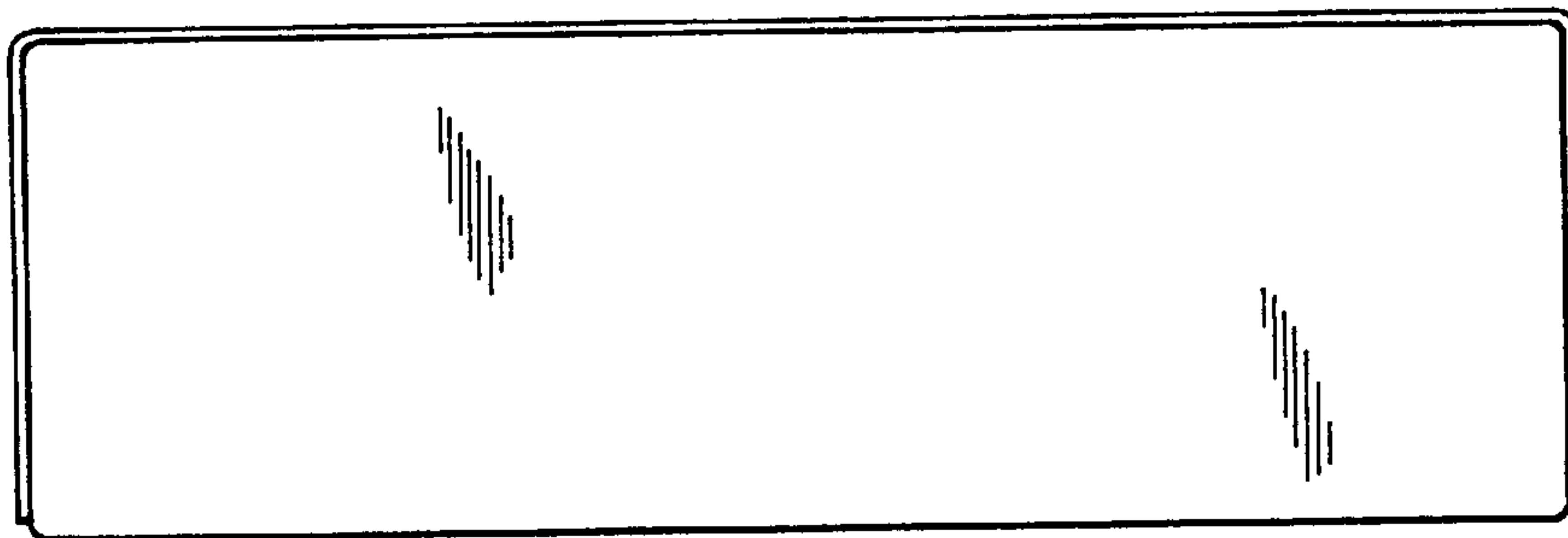


Fig. 6

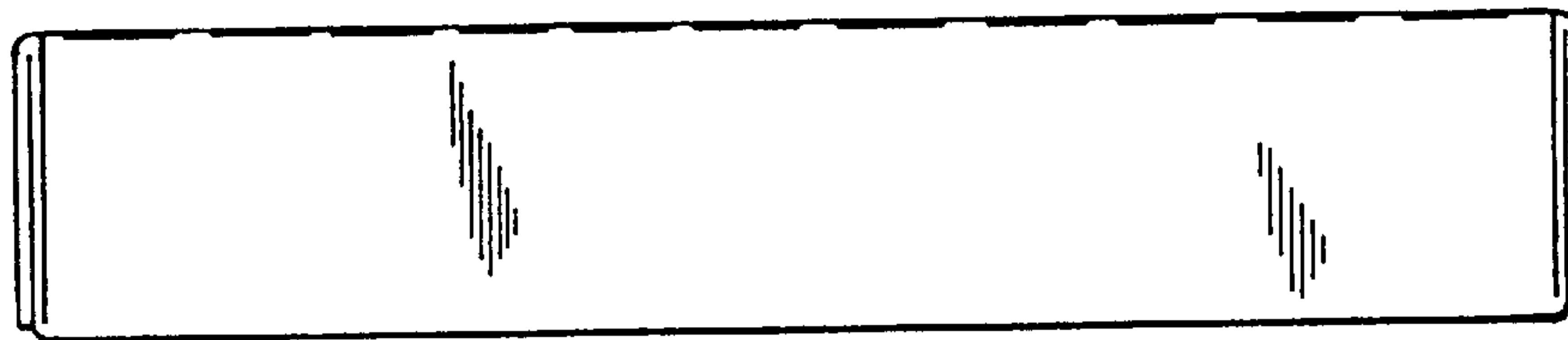
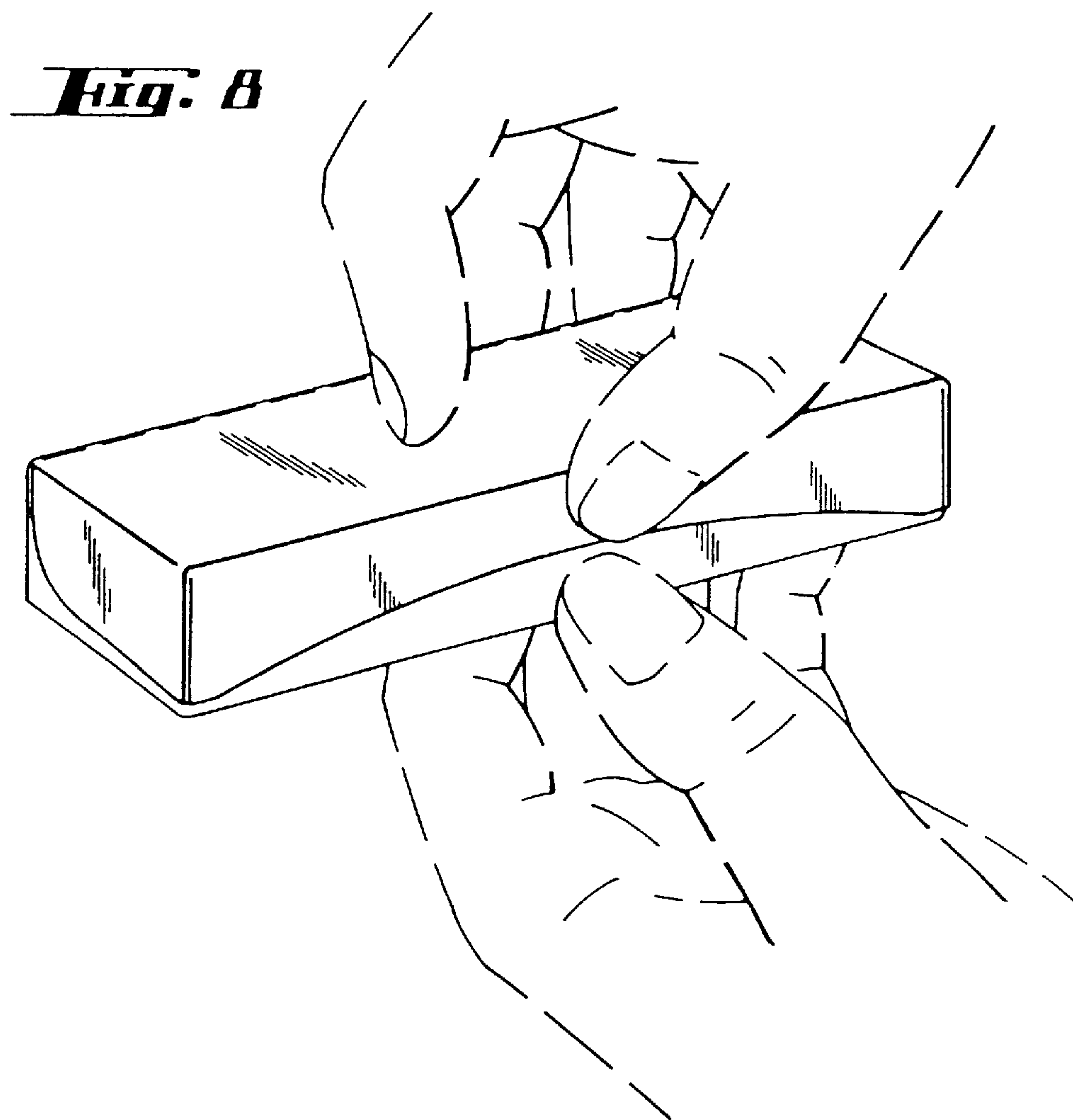


Fig. 7



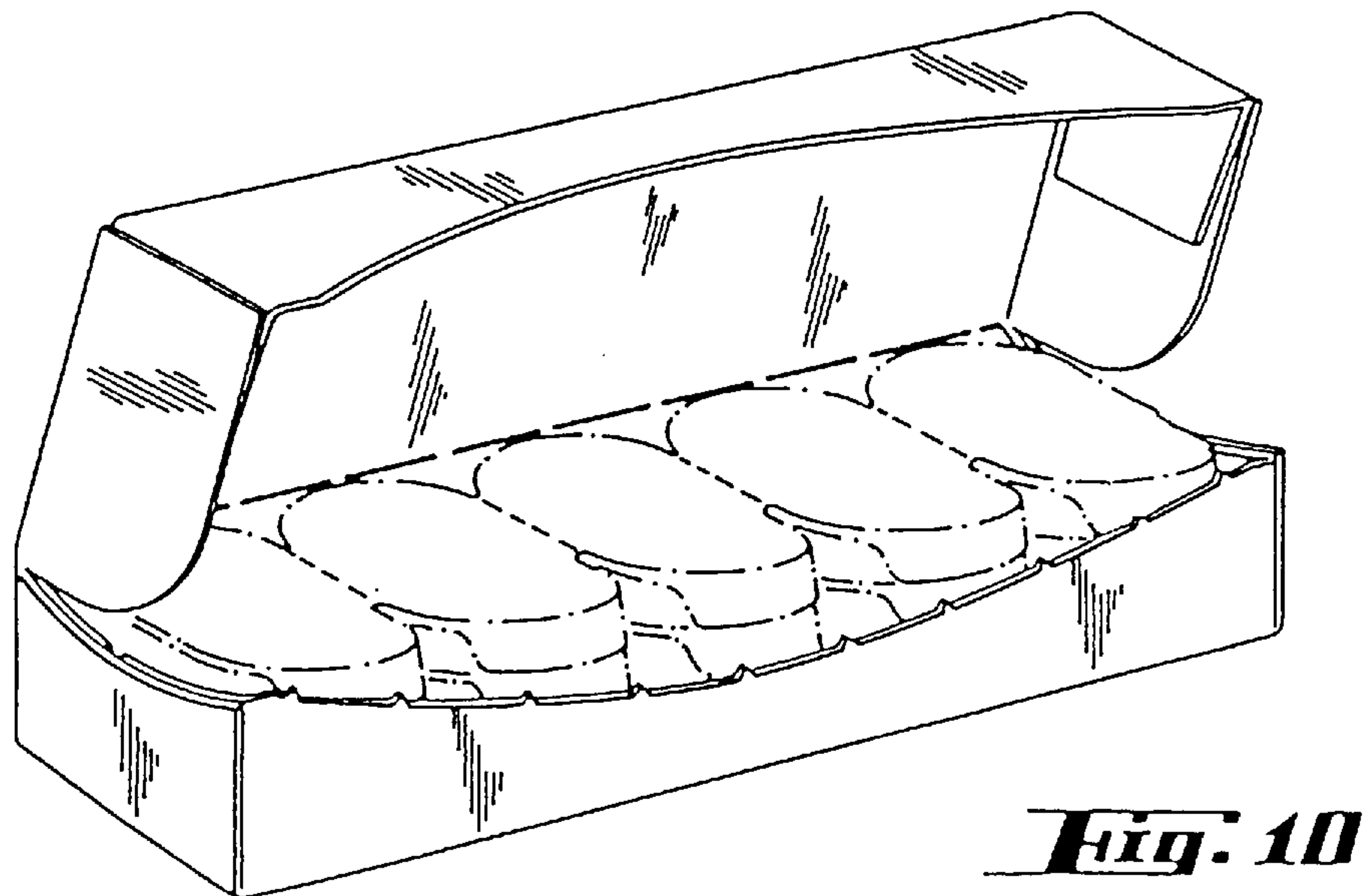
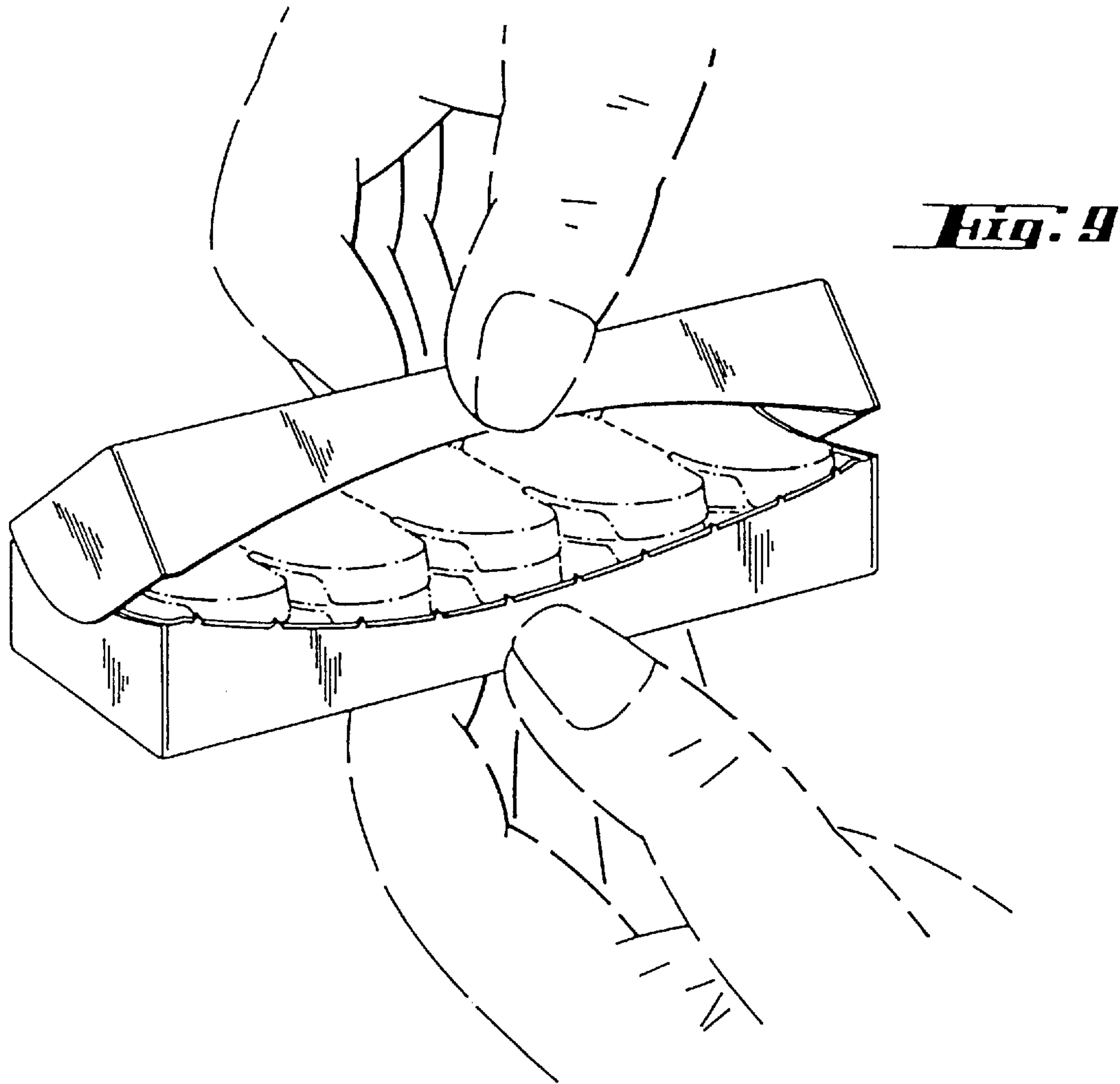


Fig. 11

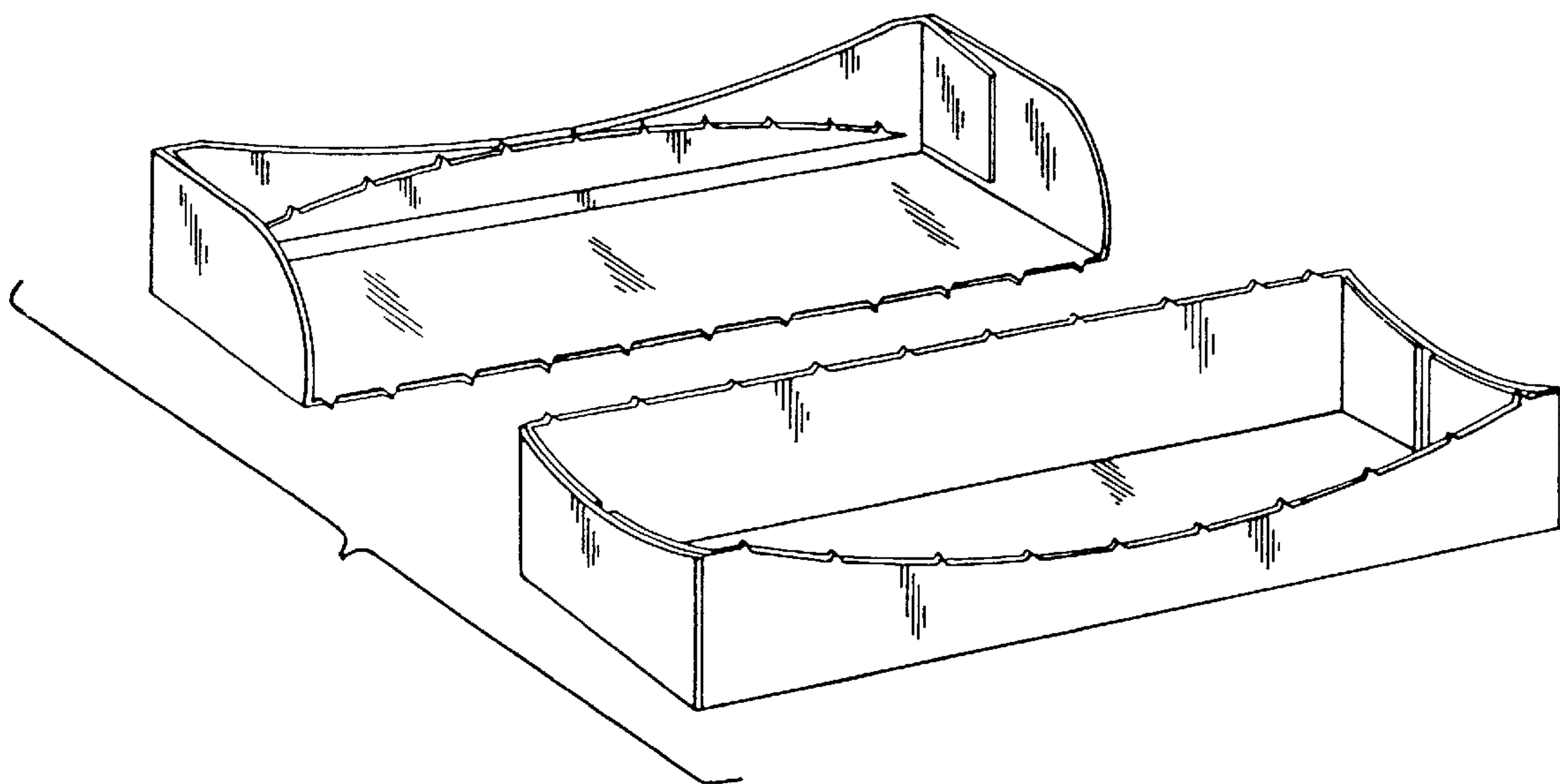


Fig. 12

