



US00D395596S

United States Patent [19]

Butera

[11] Patent Number: **Des. 395,596**

[45] Date of Patent: ****Jun. 30, 1998**

[54] **BUCKLE TIE**

[75] Inventor: **Louis L. Butera**, Staten Island, N.Y.

[73] Assignee: **DiMarzio, Inc.**, Staten Island, N.Y.

[**] Term: **14 Years**

[21] Appl. No.: **75,510**

[22] Filed: **Aug. 19, 1997**

[51] **LOC (6) Cl.** **08-08**

[52] **U.S. Cl.** **D8/396; D8/383; D8/394;**
D11/218

[58] **Field of Search** D8/383, 394, 395,
D8/396; 24/68 E, 35, 197, 198, 200; D11/218

[56] **References Cited**

U.S. PATENT DOCUMENTS

D. 290,349	6/1987	Kasai	D11/218
D. 340,008	10/1993	Anscher	D11/218
2,343,118	2/1944	White	24/198
4,843,688	7/1989	Ikeda	24/68 E
4,932,104	6/1990	Kowal	24/197
5,438,734	8/1995	Anderson	24/197

OTHER PUBLICATIONS

Toleeto Fasteners International products, date unknown, Exhibit 1.

Toleeto Fasteners International products, date unknown, Exhibit 2.

Toleeto Fasteners International Rack-ups™ products, date unknown, Exhibit 3.

Toleeto Fasteners International Cord-Lox® literature, date unknown, Exhibit 4.

Primary Examiner—B. J. Bullock
Attorney, Agent, or Firm—Baker & Botts

[57] **CLAIM**

The ornamental design for a buckle tie, as shown and described.

DESCRIPTION

FIG. 1 is a perspective view of the buckle tie of the present invention, the broken lines are for illustrative purposes only and form no part of the claimed design;

FIG. 2 is a top view of the buckle tie of the present invention;

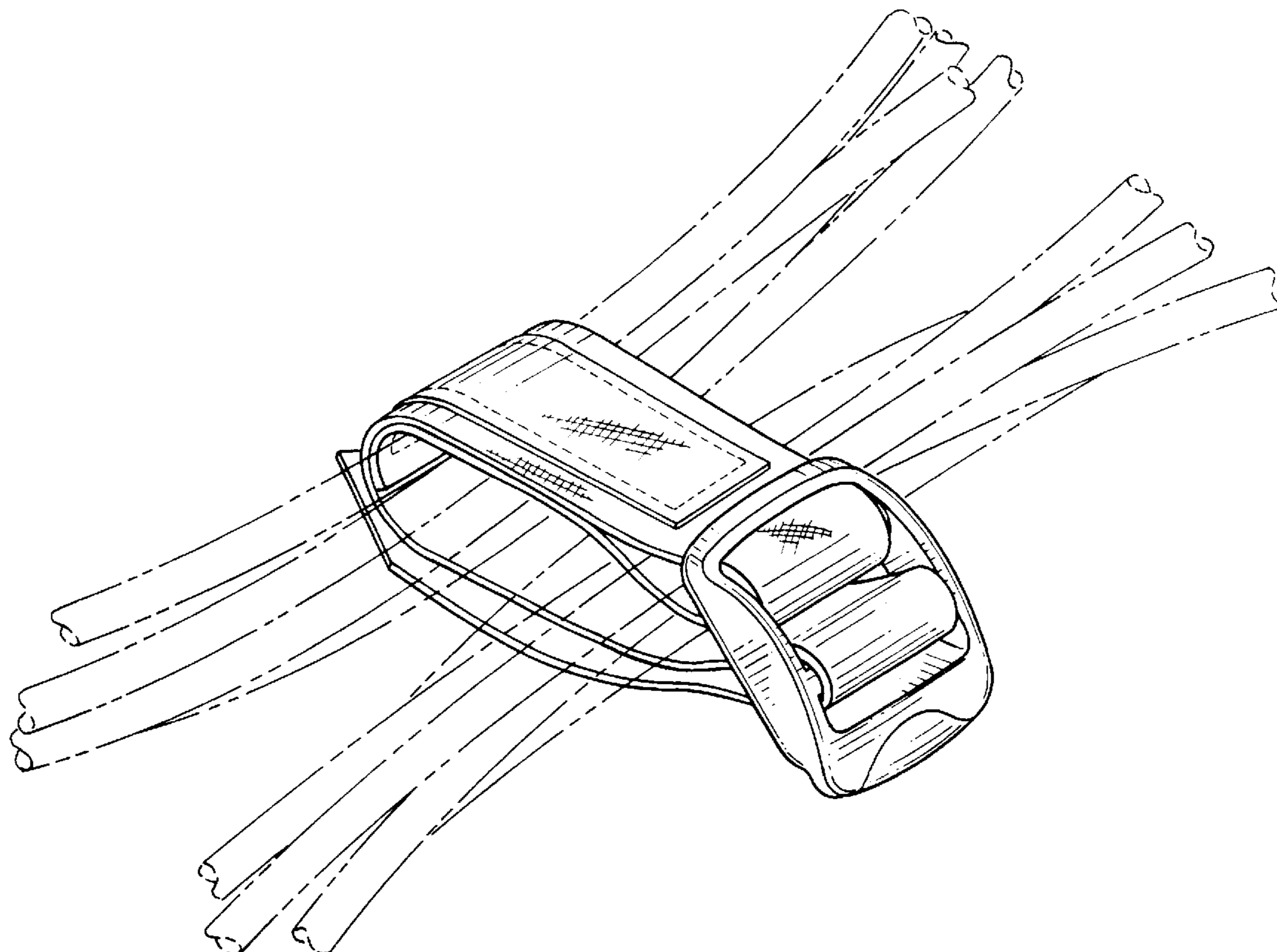
FIG. 3 is a front view of the buckle tie of the present invention;

FIG. 4 is a front view of the buckle tie of the present invention with the tie open, the appearance of the tie continuing uniformly along its length which is shown broken away for ease of illustration; and,

FIG. 5 is a back view of the buckle tie of the present invention as shown in FIG. 4.

The cross hatching which is partially shown on the tie in FIGS. 1 and 2-4 is understood to repeat uniformly across the circumscribed areas.

1 Claim, 2 Drawing Sheets



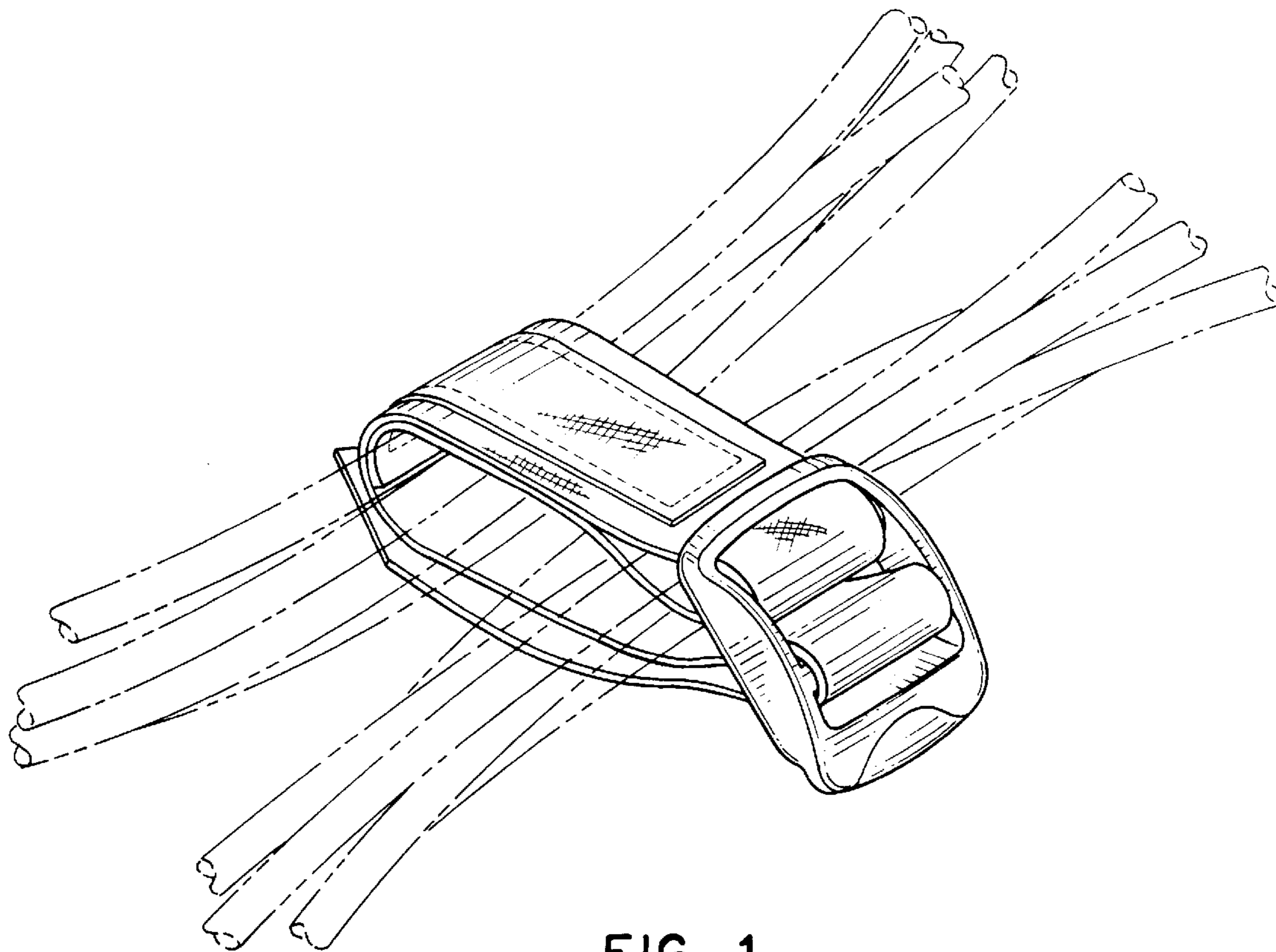


FIG. 1

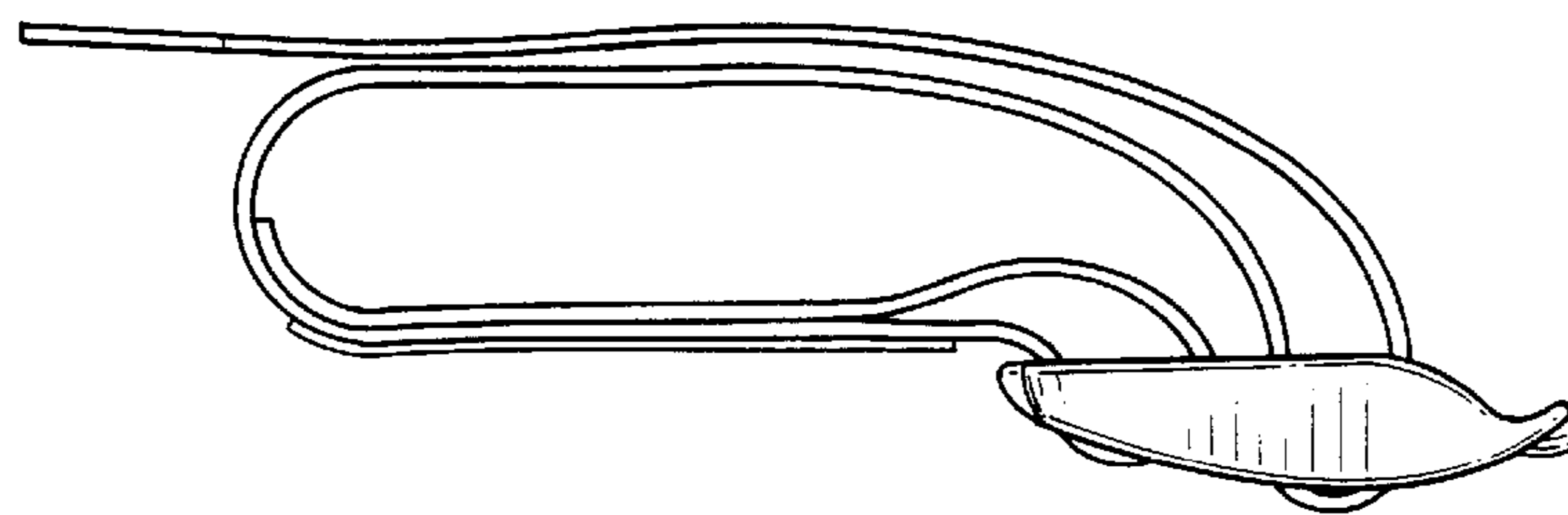


FIG. 2

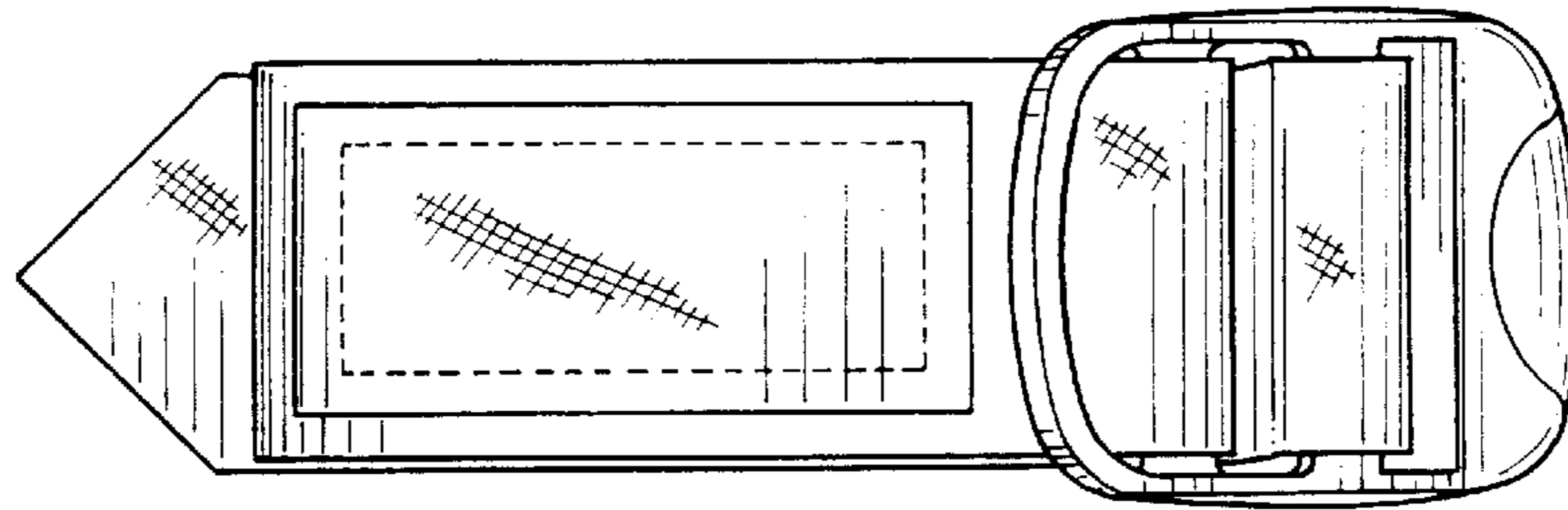


FIG. 3

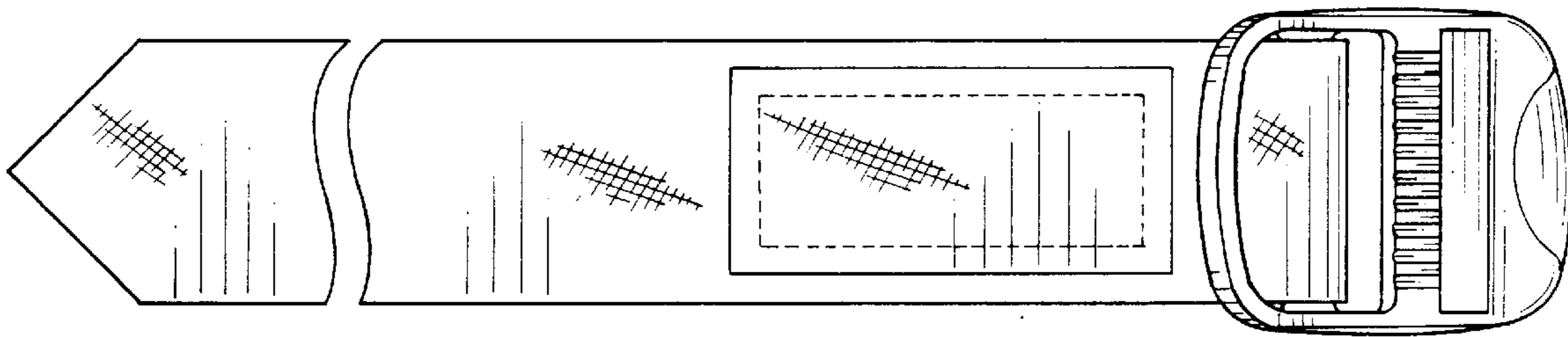


FIG. 4

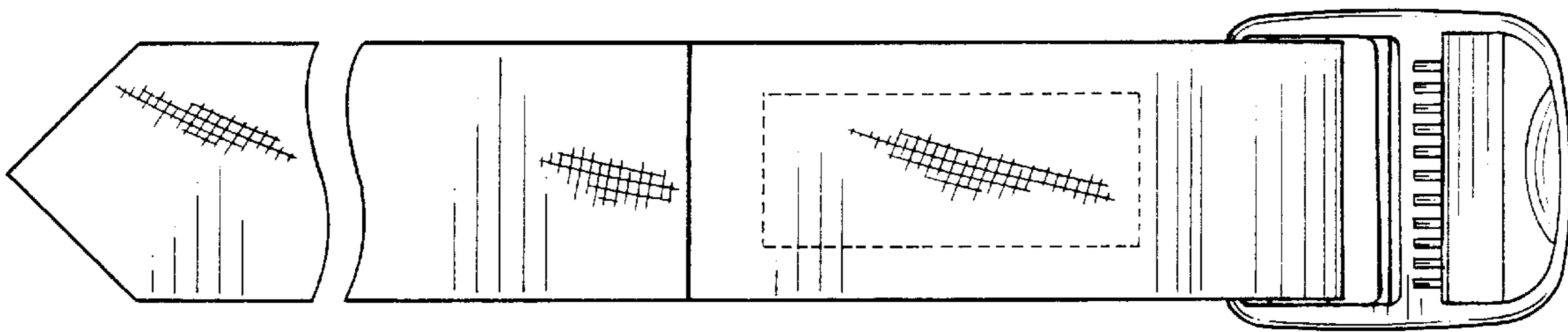


FIG. 5