



US00D395595S

# United States Patent [19]

Smith et al.

[11] Patent Number: **Des. 395,595**

[45] Date of Patent: **\*\*Jun. 30, 1998**

[54] **BOLT KEEPER**

[75] Inventors: **Horace A. Smith**, Prairie Village;  
**Ralph Carroll**, Olathe, both of Kans.

[73] Assignee: **Glaseal, Inc.**, Prairie Village, Kans.

[\*\*] Term: **14 Years**

[21] Appl. No.: **61,337**

[22] Filed: **Oct. 22, 1996**

[51] **LOC (6) Cl.** ..... **08-08**

[52] **U.S. Cl.** ..... **D8/382**

[58] **Field of Search** ..... D8/349, 354, 382,  
D8/394, 396, 397; 292/288, 289, 297

[56] **References Cited**

**U.S. PATENT DOCUMENTS**

D. 253,393 11/1979 Evans ..... D8/382 X  
D. 272,518 2/1984 Smith ..... D8/382

D. 302,938 8/1989 Fujioka ..... D8/396 X  
D. 342,668 12/1993 Rose et al. .... D8/382 X  
D. 369,959 5/1996 Marsh et al. .... D8/394

*Primary Examiner*—Brian N. Vinson  
*Attorney, Agent, or Firm*—William Kircher; Shook, Hardy & Bacon

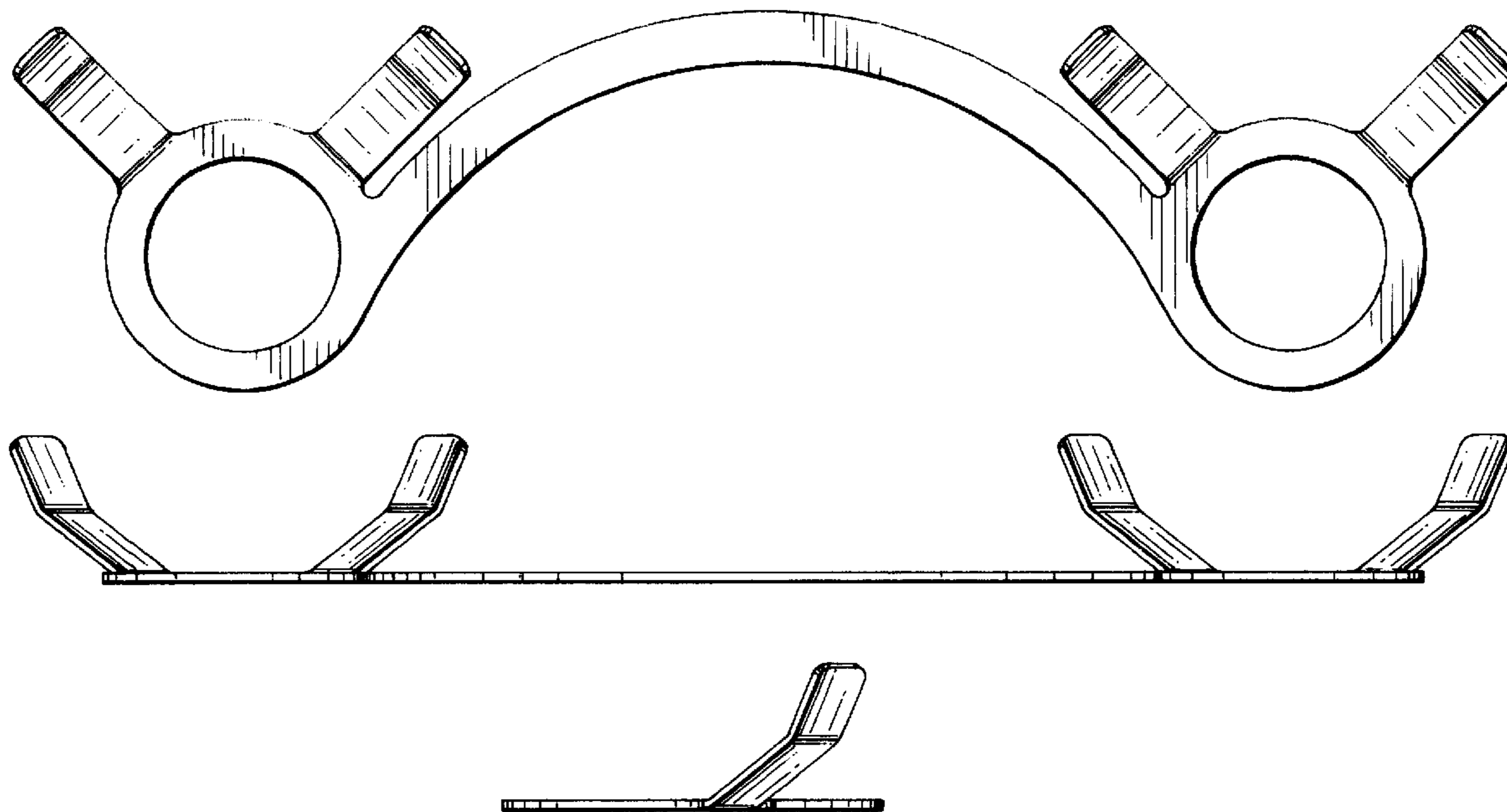
[57] **CLAIM**

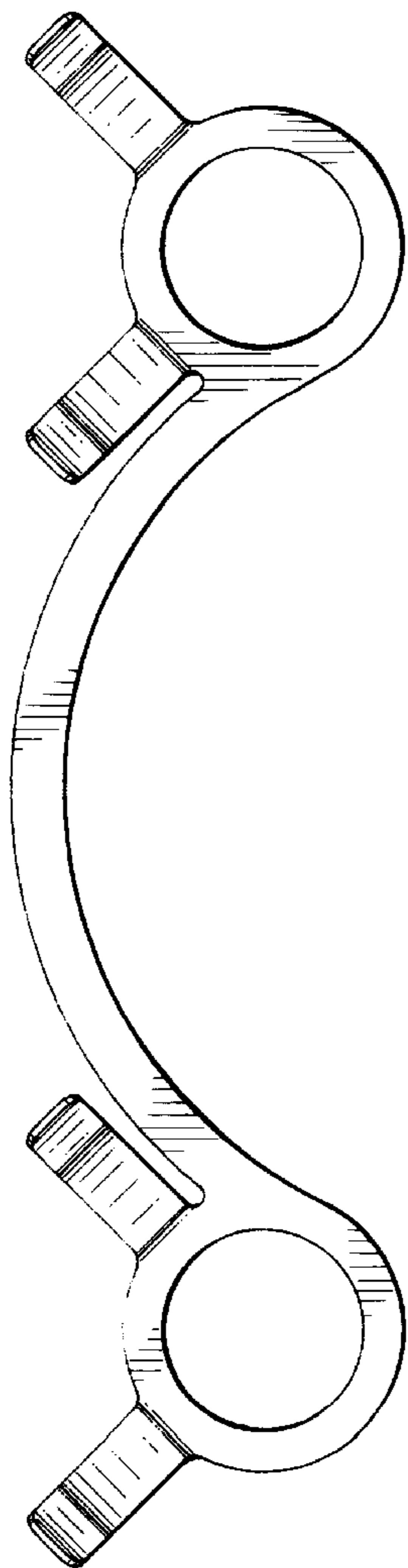
The ornamental design for a bolt keeper, as shown and described.

**DESCRIPTION**

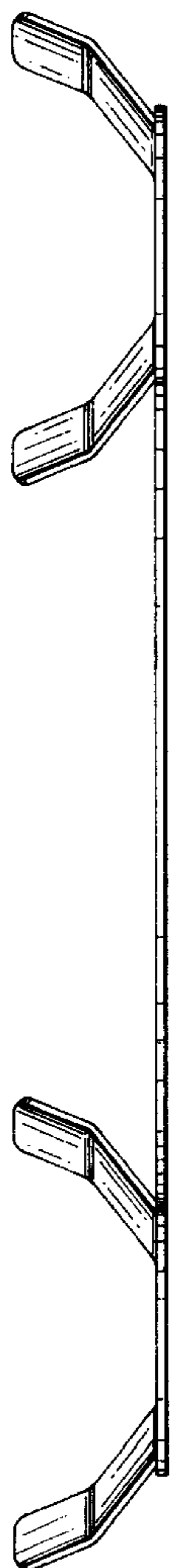
FIG. 1 is a top plan view of a bolt keeper according to the present invention;  
FIG. 2 is a side elevation view thereof;  
FIG. 3 is a right end elevation view thereof;  
FIG. 4 is a side opposite of FIG. 2 elevation view thereof; and,  
FIG. 5 is a bottom plan view thereof.

**1 Claim, 1 Drawing Sheet**

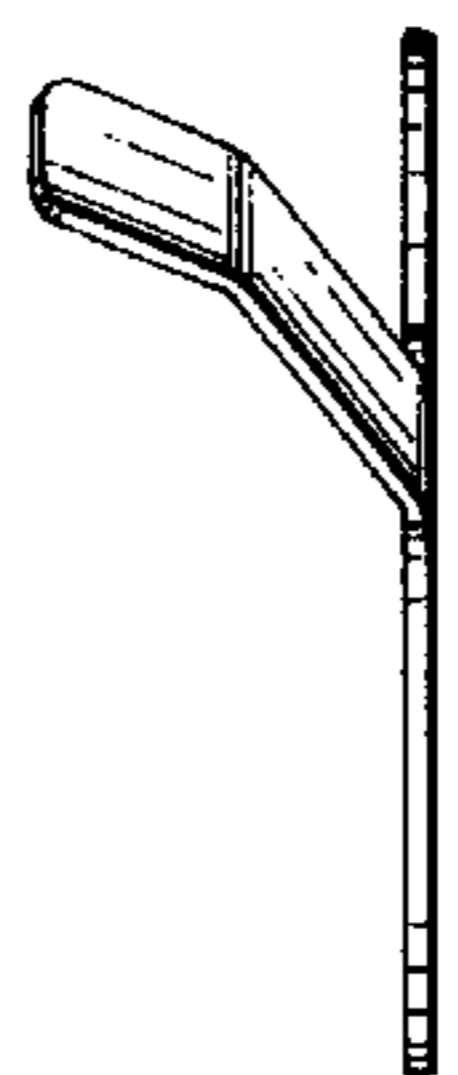




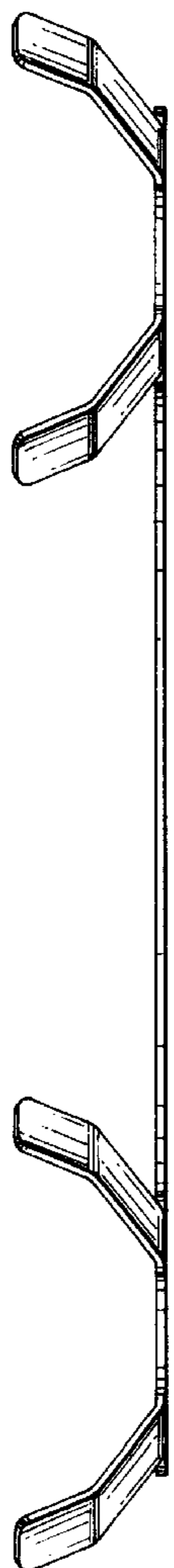
*Fig. 1.*



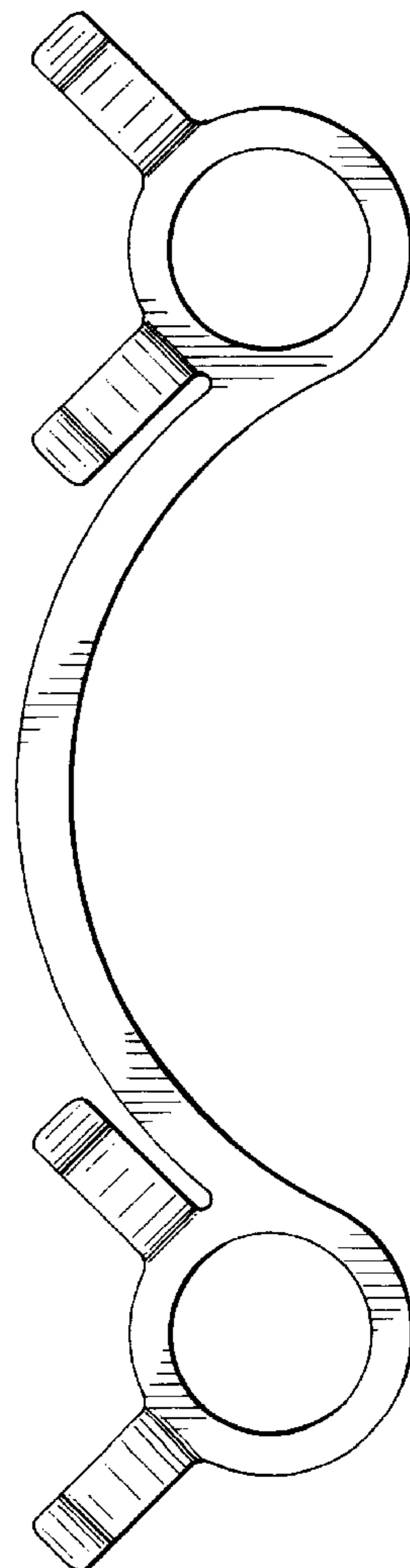
*Fig. 2.*



*Fig. 3.*



*Fig. 4.*



*Fig. 5.*