



US00D395593S

United States Patent [19]
Okamoto

[11] **Patent Number: Des. 395,593**

[45] **Date of Patent: **Jun. 30, 1998**

[54] **AIR HOSE WINDER**

[75] Inventor: **Isao Okamoto**, Osaka, Japan

[73] Assignee: **Nichido Kogyo Kabushiki Kaisha**,
Osaka, Japan

[**] Term: **14 Years**

[21] Appl. No.: **74,218**

[22] Filed: **Jul. 30, 1997**

[51] **LOC (6) Cl.** **08-05**

[52] **U.S. Cl.** **D8/358**

[58] **Field of Search** D8/358; D3/23;
242/388, 405.1, 405.2

[56] **References Cited**

U.S. PATENT DOCUMENTS

D. 370,842	6/1996	McGuerty	D8/358
1,516,522	11/1924	Farr	242/405.1 X
3,907,236	9/1975	Sims, Jr.	242/405.1 X

Primary Examiner—Holly Baynham
Attorney, Agent, or Firm—Lowe, Price, LeBlanc & Becker

[57] **CLAIM**

The ornamental design for an air hose winder, as shown.

DESCRIPTION

FIG. 1 is a front view of an air hose winder showing my new design;

FIG. 2 is a rear view thereof;

FIG. 3 is a plan view with the opposite plan view being identical in appearance;

FIG. 4 is a right side view thereof;

FIG. 5 is a perspective view thereof;

FIG. 6 is a sectional view thereof taken along a line A—A in FIG. 1; and,

FIG. 7 is an environmental perspective view.

The broken line showing of an air hose is for illustrative purposes only and forms no part of the claimed design.

1 Claim, 5 Drawing Sheets

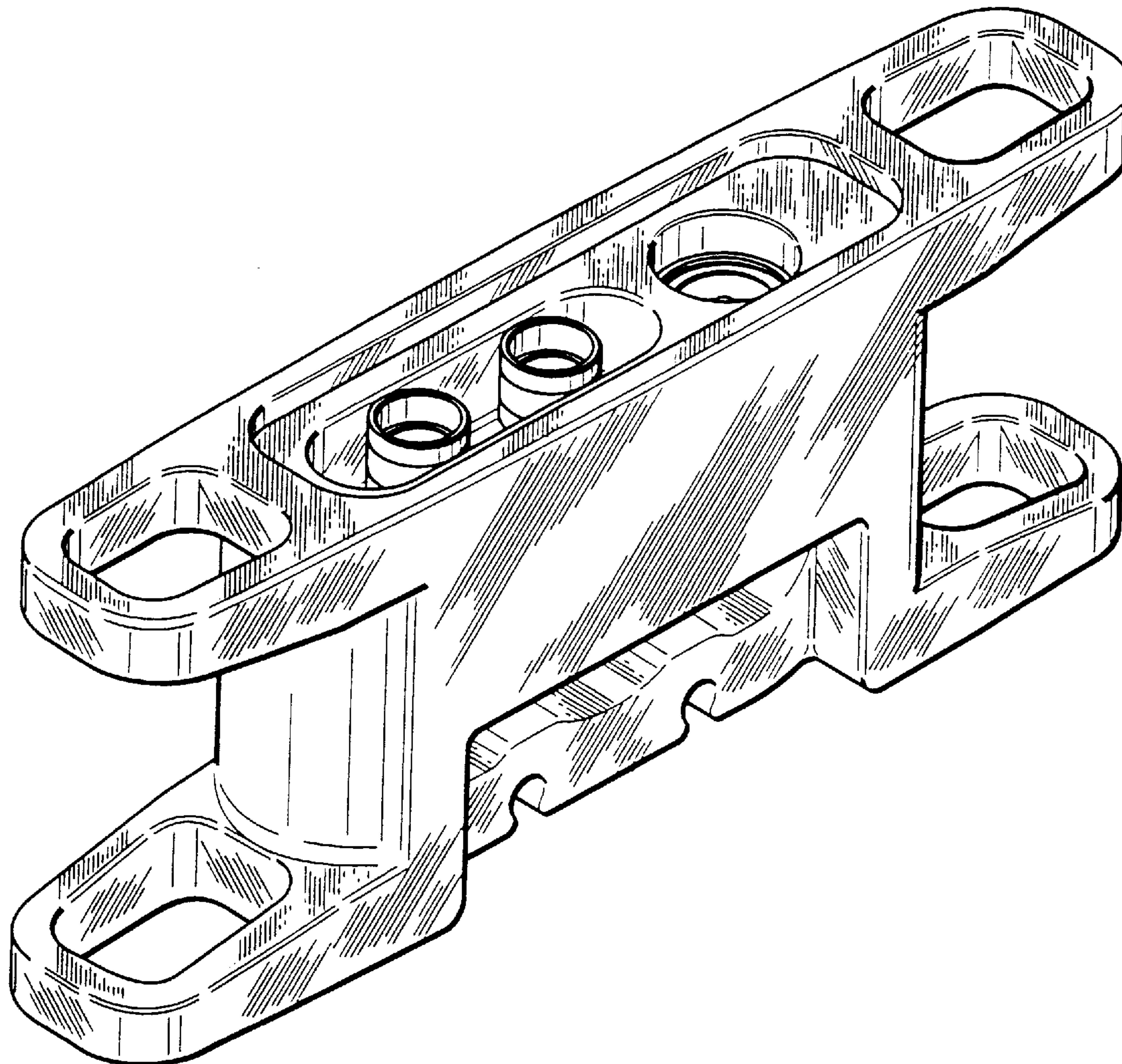


FIG. 1

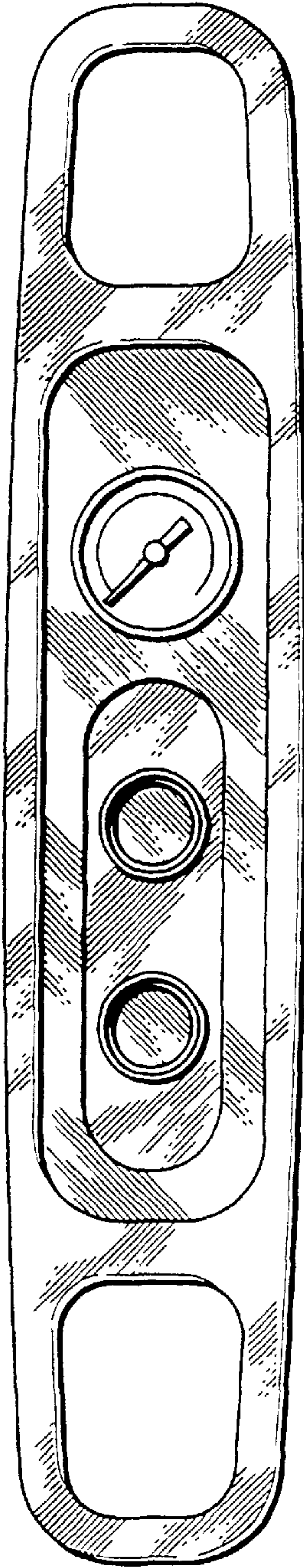


FIG. 2

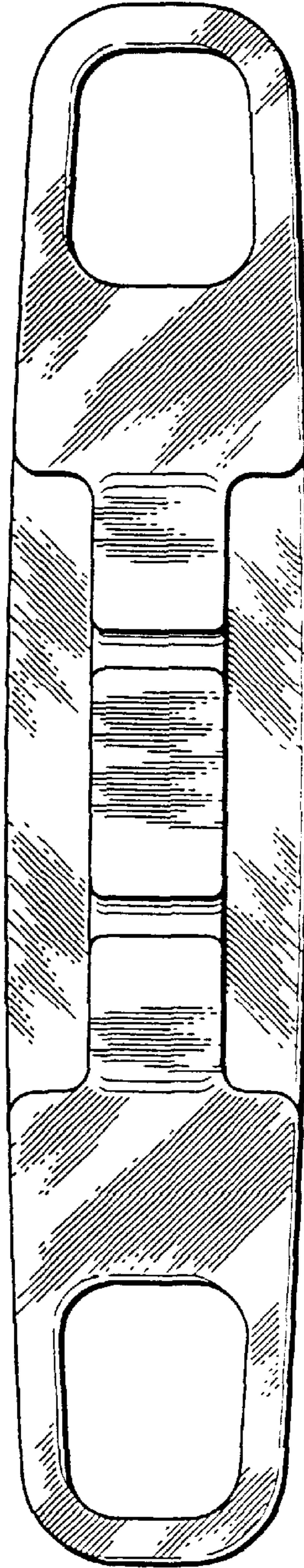


FIG. 3

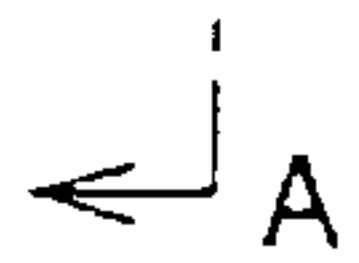
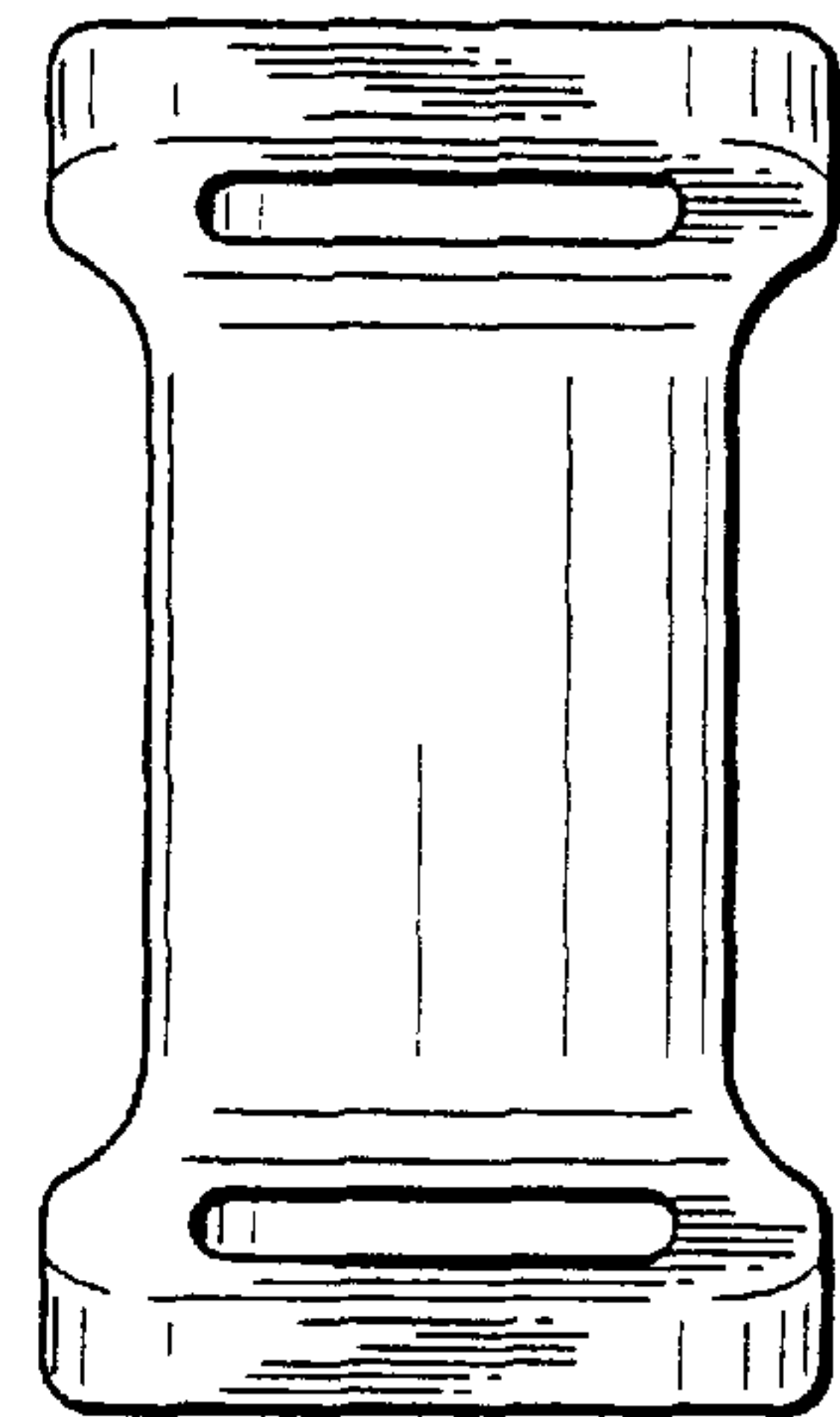


FIG.4

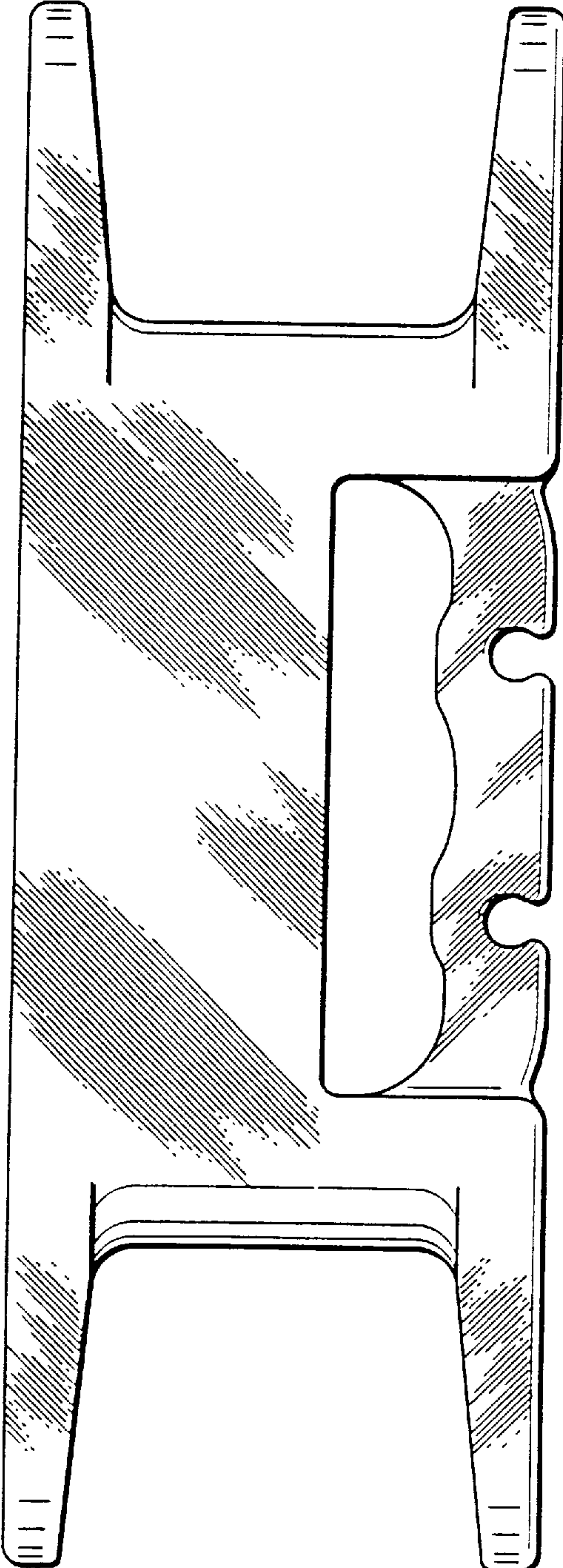


FIG.5

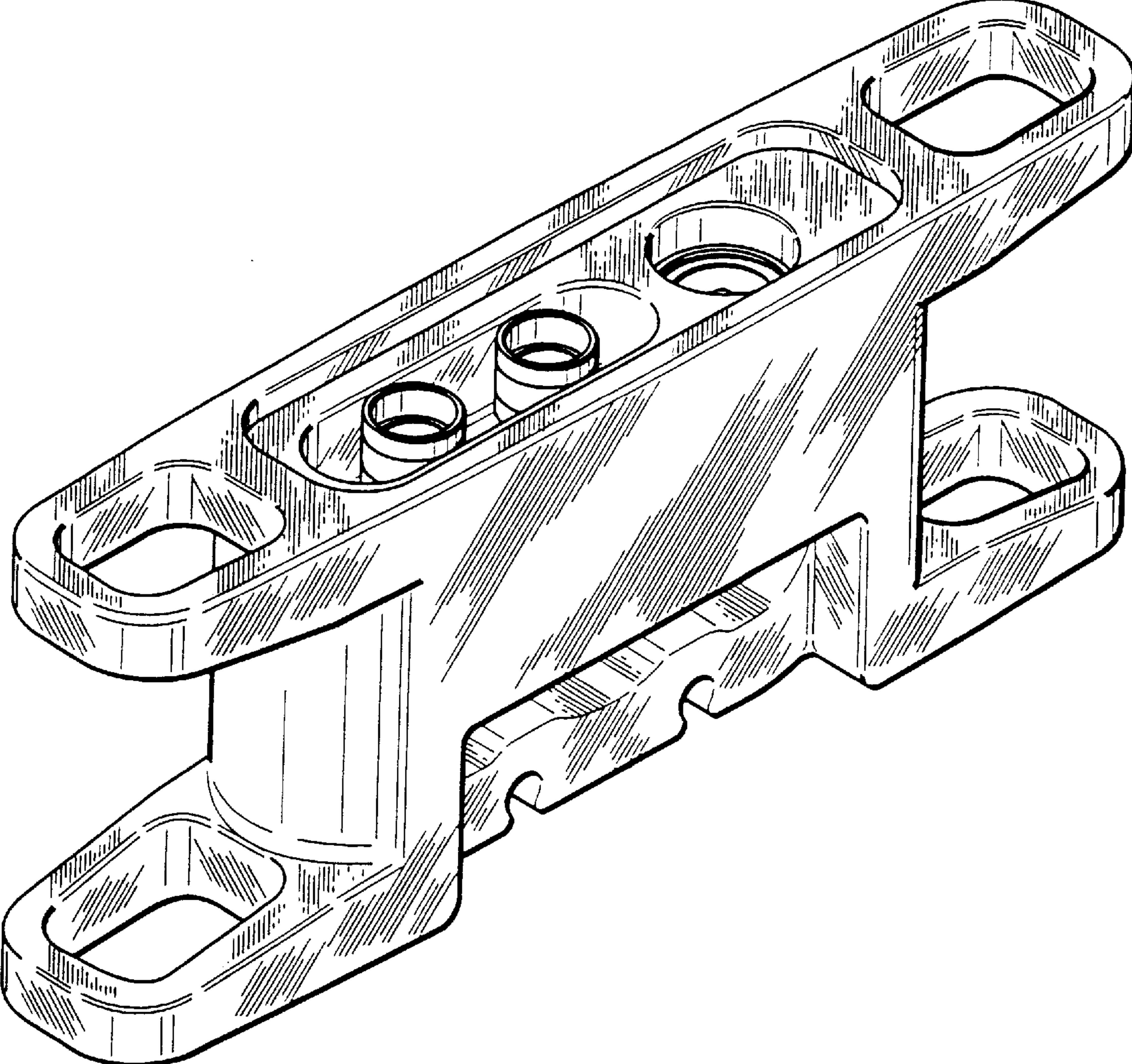


FIG. 6

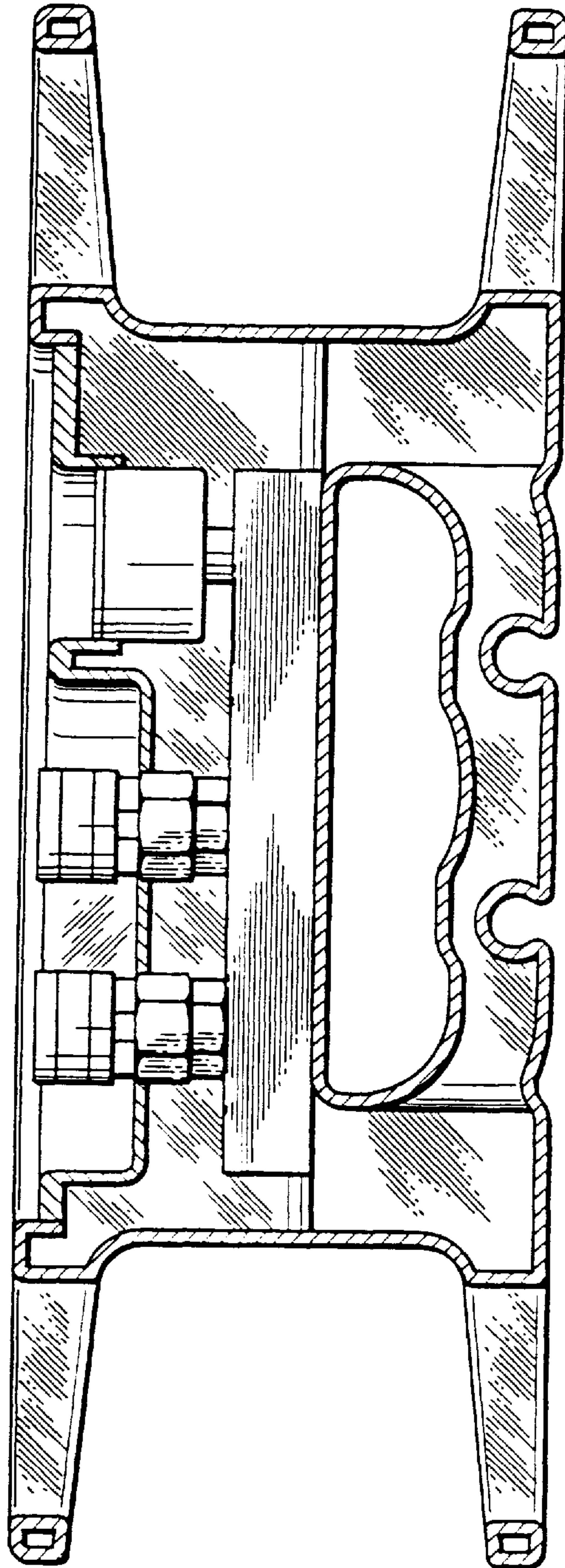


FIG.7

