



US00D395590S

United States Patent [19]

Finkelstein et al.

[11] Patent Number: **Des. 395,590**

[45] Date of Patent: ****Jun. 30, 1998**

[54] **HINGE**

4,631,777 12/1986 Takimoto 16/312 X

[75] Inventors: **Burl Finkelstein; Mark Kennedy**, both of Newnan, Ga.

FOREIGN PATENT DOCUMENTS

730035 8/1932 France 16/267
644156 9/1962 Italy 16/386
9629 of 1888 United Kingdom 16/387

[73] Assignee: **Kason Industries, Inc.**

[**] Term: **14 Years**

Primary Examiner—Catherine Tuttle
Attorney, Agent, or Firm—Kennedy & Kennedy

[21] Appl. No.: **42,325**

[57] **CLAIM**

[22] Filed: **Aug. 7, 1995**

The ornamental design for a hinge, as shown and described.

[51] **LOC (6) Cl.** **08-06**

[52] **U.S. Cl.** **D8/323**

[58] **Field of Search** D8/323-329; 16/221, 16/209, 254, 260-264, 305, 312, 318, 386-389

DESCRIPTION

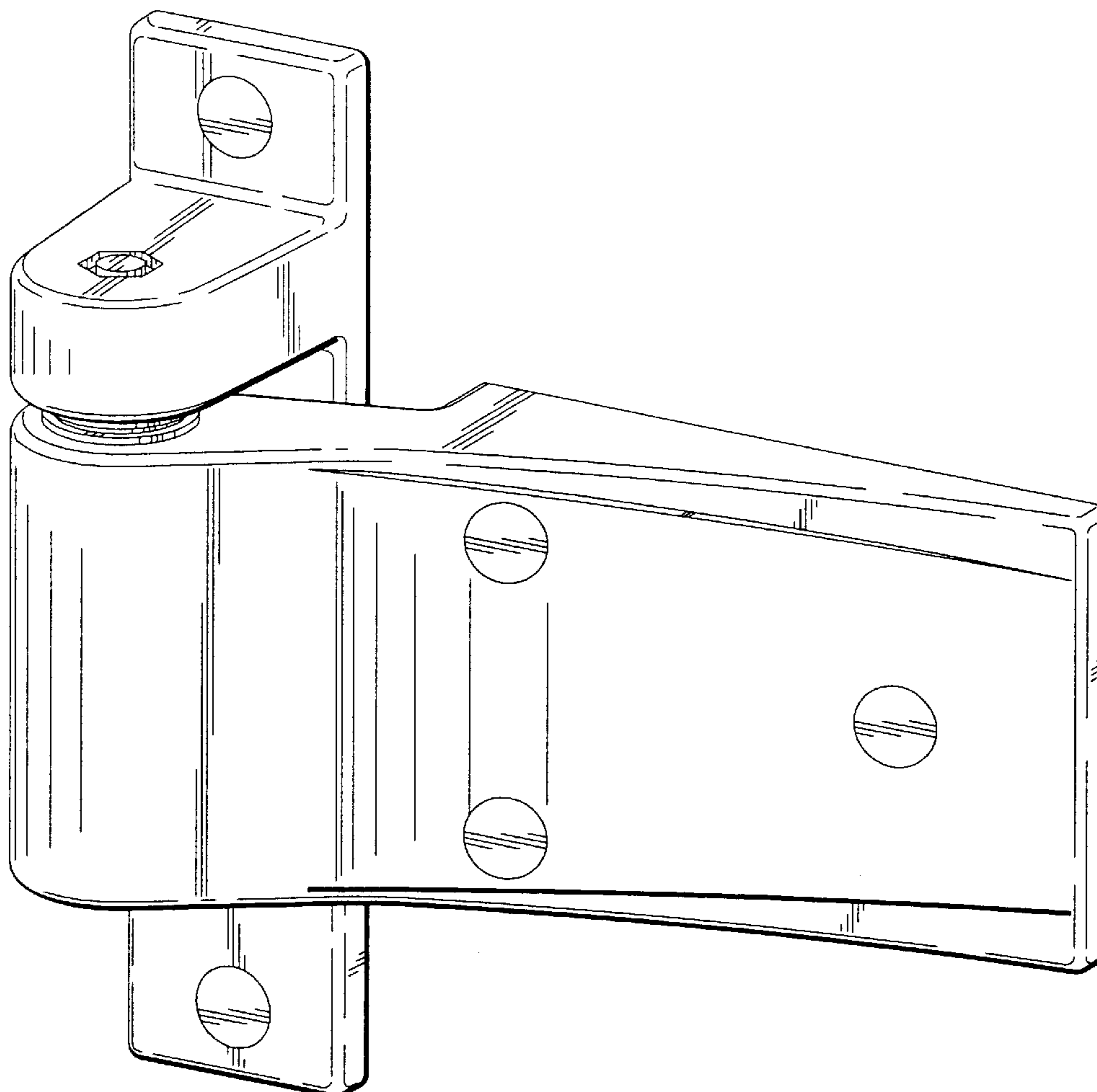
FIG. 1 is a perspective view of the hinge;
FIG. 2 is a front view thereof;
FIG. 3 is a top view thereof;
FIG. 4 is a bottom view thereof;
FIG. 5 is a right side view thereof; and,
FIG. 6 is a left side view thereof.
The undisclosed surfaces at the rear of the hinge form no part of the claimed design.
The surface partially obscured by the hinge base at left in FIG. 6 continues the configuration of the sides visible.

[56] References Cited

U.S. PATENT DOCUMENTS

D. 47,353 5/1915 Wood D8/329
D. 92,447 6/1934 Brantingson D8/329
D. 105,649 8/1937 Carruthers D8/329
D. 272,313 1/1984 Jenkins D8/329
1,710,321 4/1929 Roedding 16/389
3,748,688 7/1973 Berkowitz 16/312 X

1 Claim, 4 Drawing Sheets



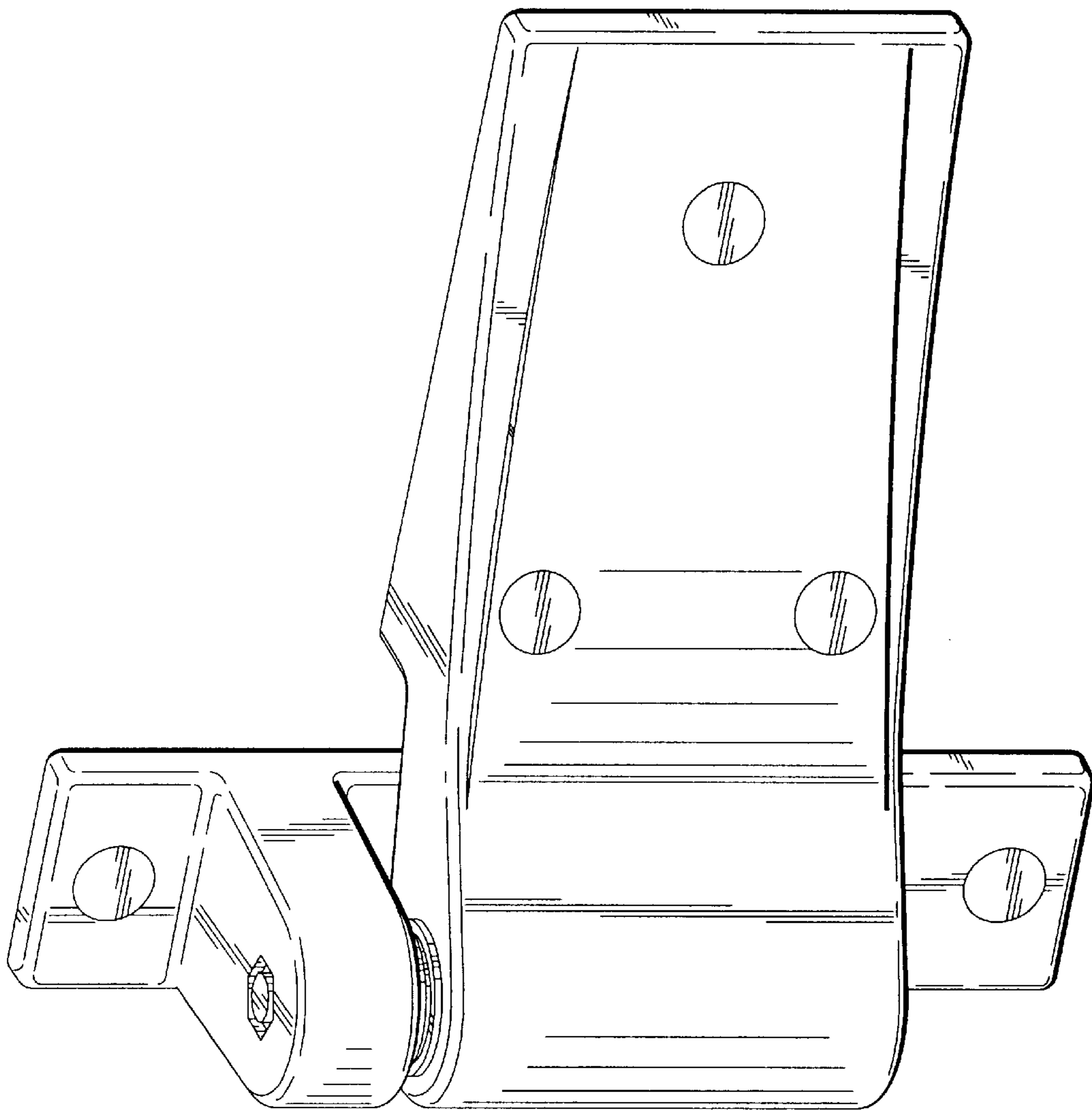


FIG 1

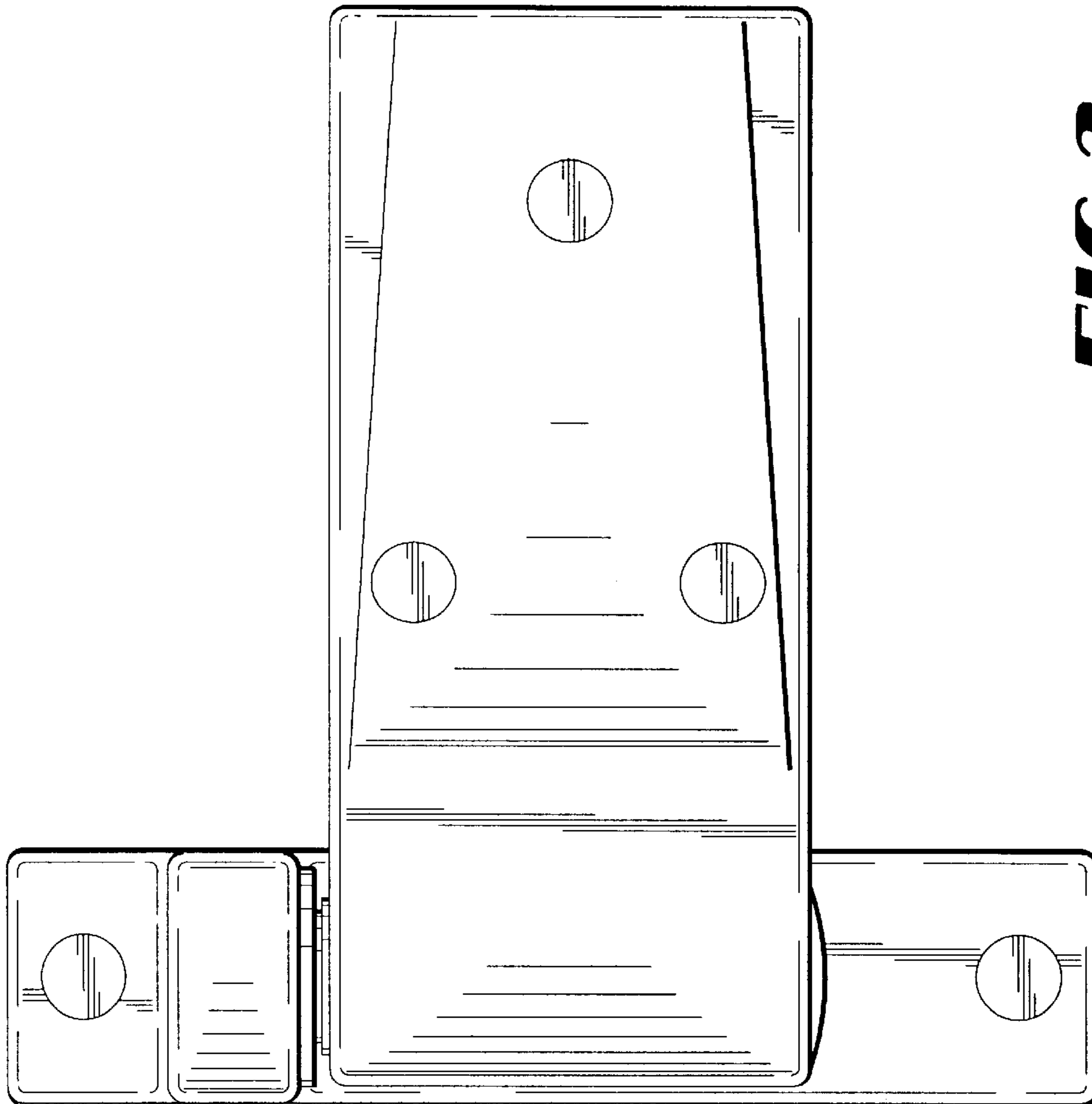


FIG 2

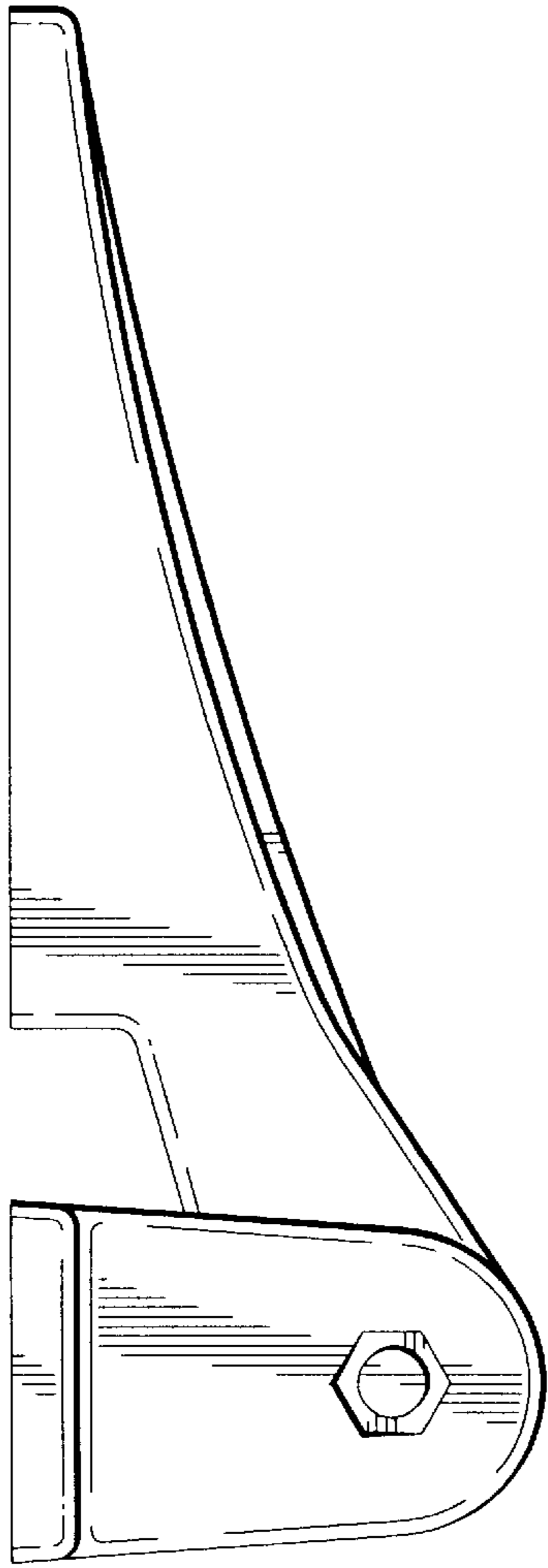


FIG 3

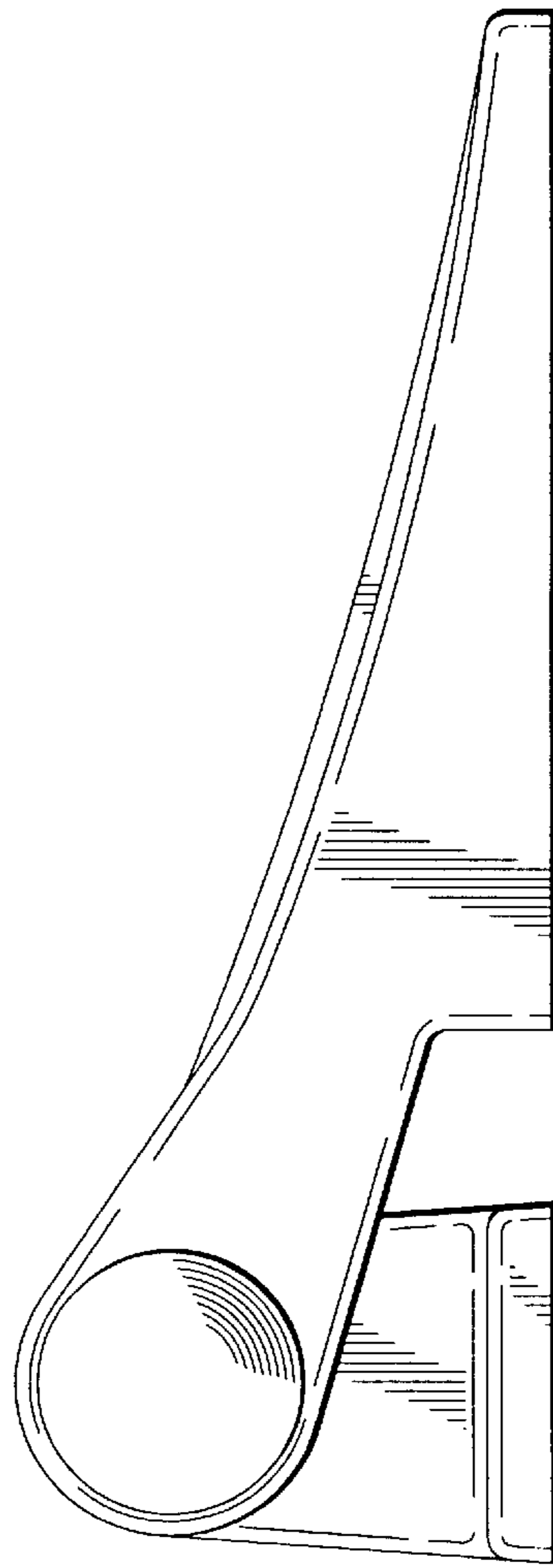


FIG 4

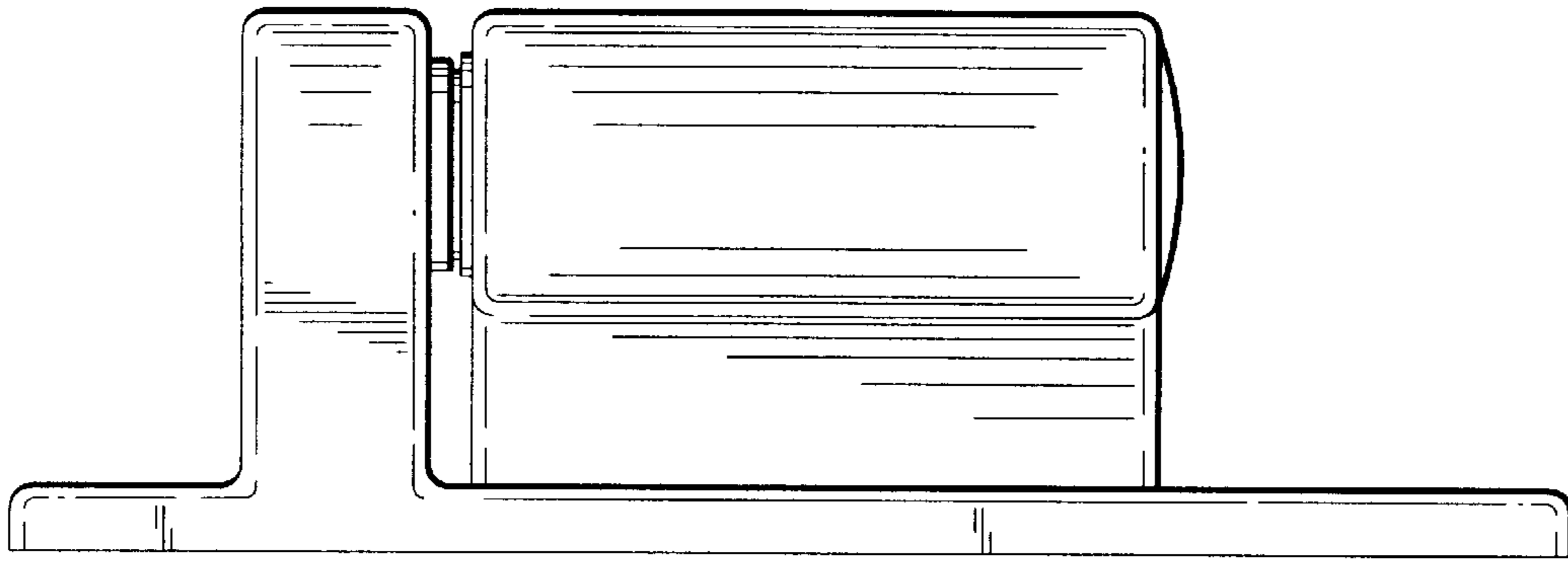


FIG 6

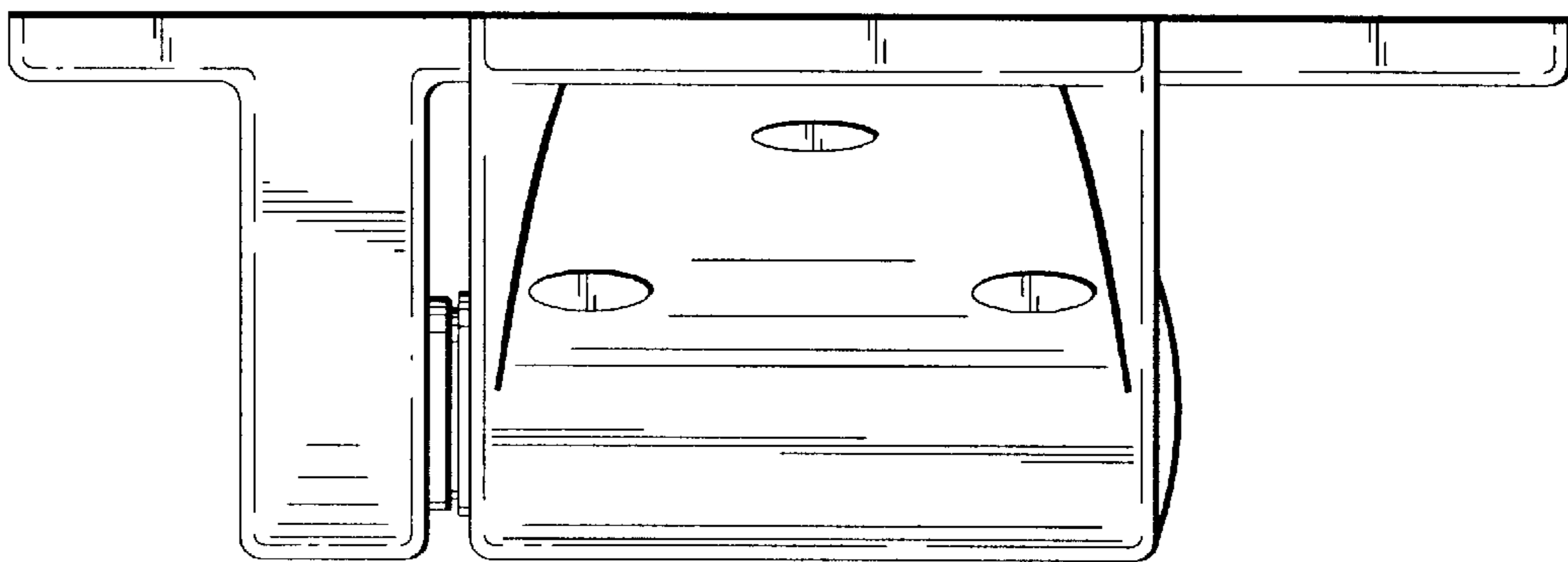


FIG 5