



US00D395588S

# United States Patent [19]

Davis et al.

[11] Patent Number: **Des. 395,588**

[45] Date of Patent: **\*\*Jun. 30, 1998**

[54] **SAW HANDLE**

[76] Inventors: **Joseph Randall Davis**, 1209 Cowper Dr., Raleigh, N.C. 27608; **Richard Henri Johan deNijs**, 7001 Ebenezer Church Rd., Raleigh, N.C. 27612; **Thomas Alexius Davis**, 4520 Kaplan Dr., Raleigh, N.C. 27606

[\*\*] Term: **14 Years**

[21] Appl. No.: **25,346**

[22] Filed: **Jun. 30, 1994**

[51] **LOC (6) Cl.** ..... **08-03**

[52] **U.S. Cl.** ..... **D8/97**

[58] **Field of Search** ..... D8/95, 97, 107; 30/510, 511, 513, 514, 517, 339, 506; 7/148

[56] **References Cited**

**U.S. PATENT DOCUMENTS**

D. 47,547	7/1915	Shireman	.....	D8/97
D. 152,760	2/1949	Weaver	.....	D8/97
D. 260,072	8/1981	Covey	.....	D8/97
D. 321,119	10/1991	Cicccone, III et al.	.....	D8/98

942,920	12/1909	Martin	.....	7/148
1,145,284	7/1915	Weddle	.....	30/166.3
1,164,568	12/1915	Belsante	.....	30/505
1,450,323	4/1923	McGuire	.....	7/148
1,487,381	3/1924	Helms	.....	7/148
2,155,110	4/1939	Alexander	.....	30/505
2,279,576	4/1942	Leverone	.....	30/505

*Primary Examiner*—Philip S. Hyder

[57] **CLAIM**

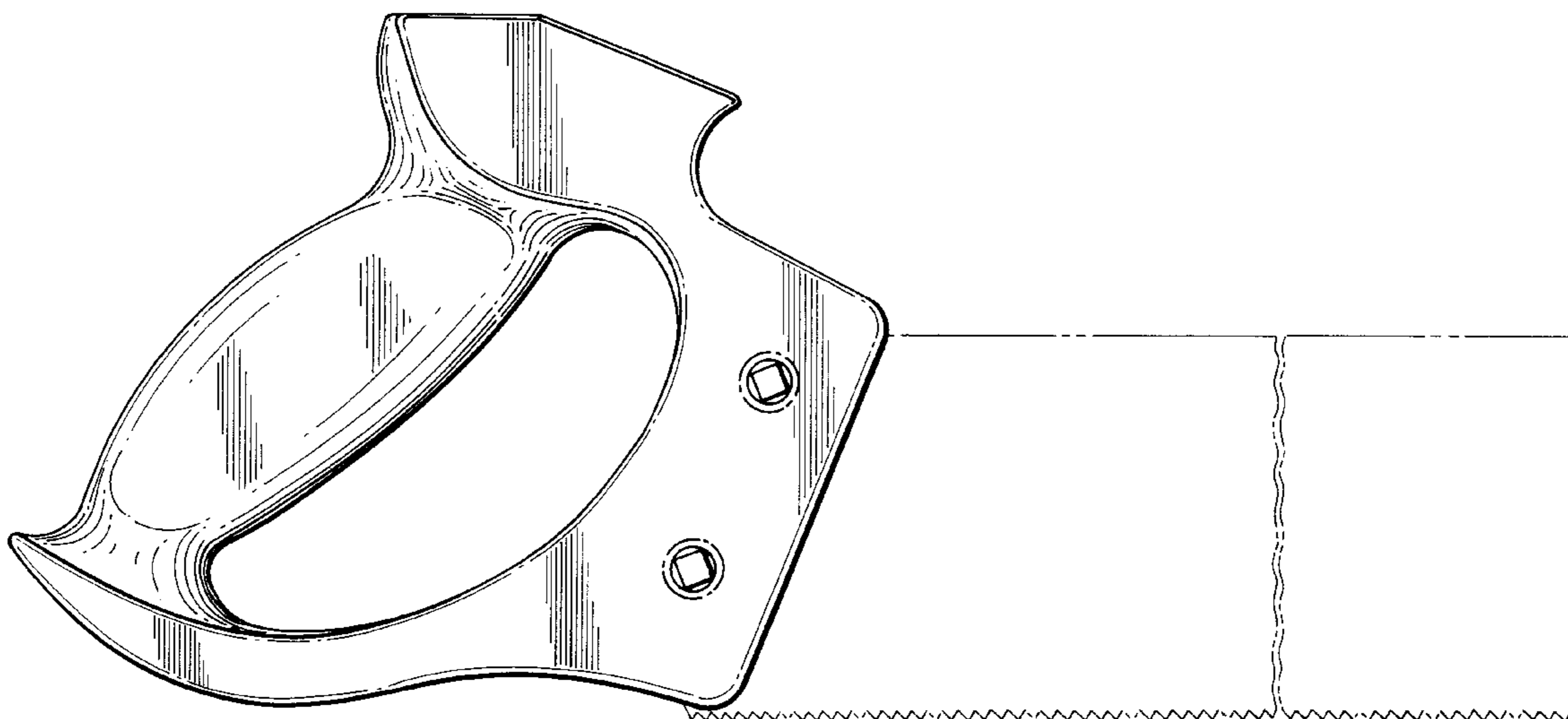
The ornamental design for a saw handle, as shown and described.

**DESCRIPTION**

FIG. 1 is a right-side view of a saw handle showing my new design;  
FIG. 2 is a bottom view thereof;  
FIG. 3 is a top view thereof;  
FIG. 4 is a left-side view thereof;  
FIG. 5 is a front view thereof; and,  
FIG. 6 is a back view thereof.

The broken line showing of FIG. 1 is for illustrative purposes only and forms no part of the claimed design.

**1 Claim, 2 Drawing Sheets**



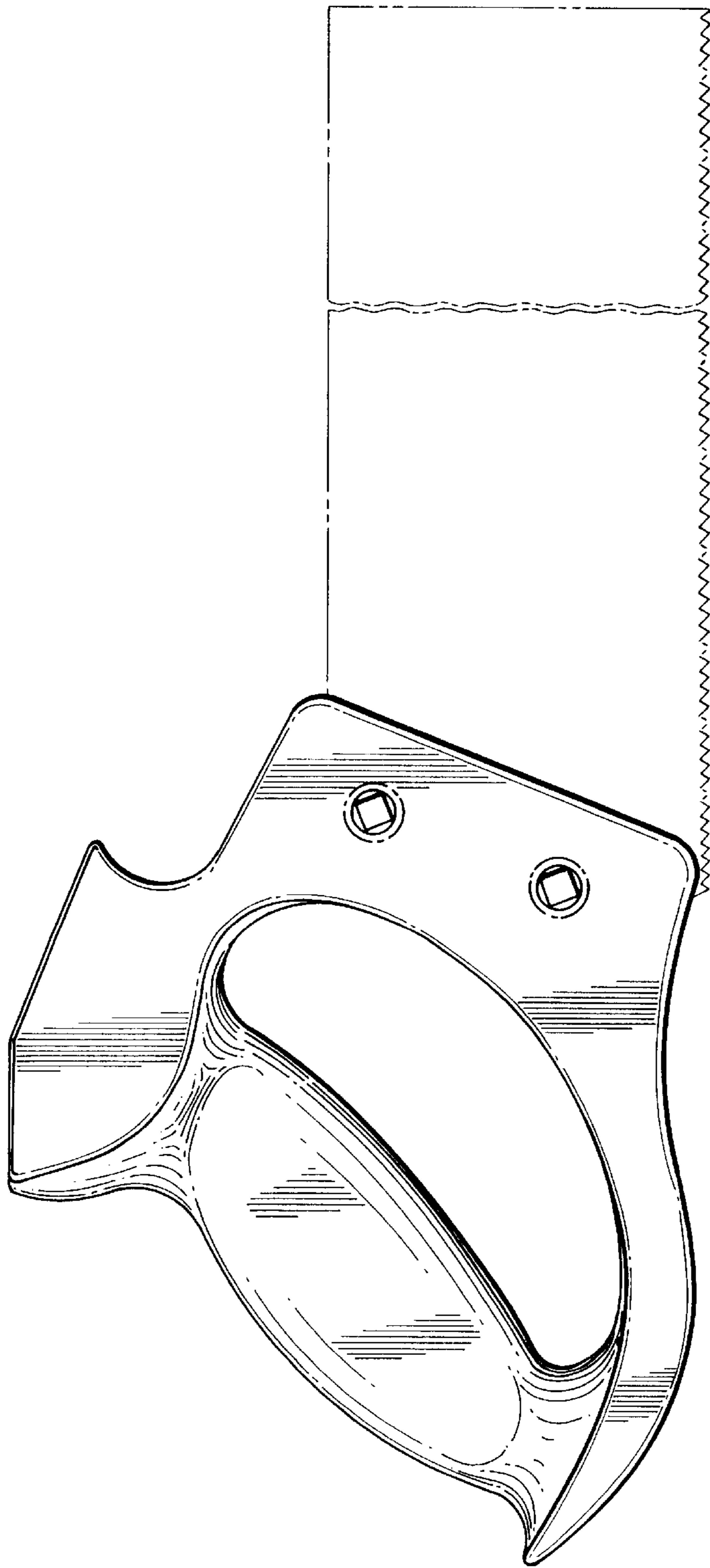


FIG. 1

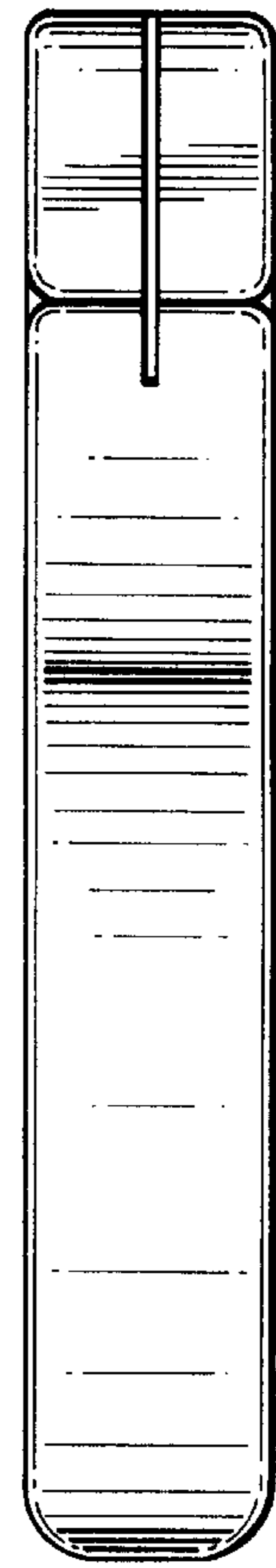


FIG. 2

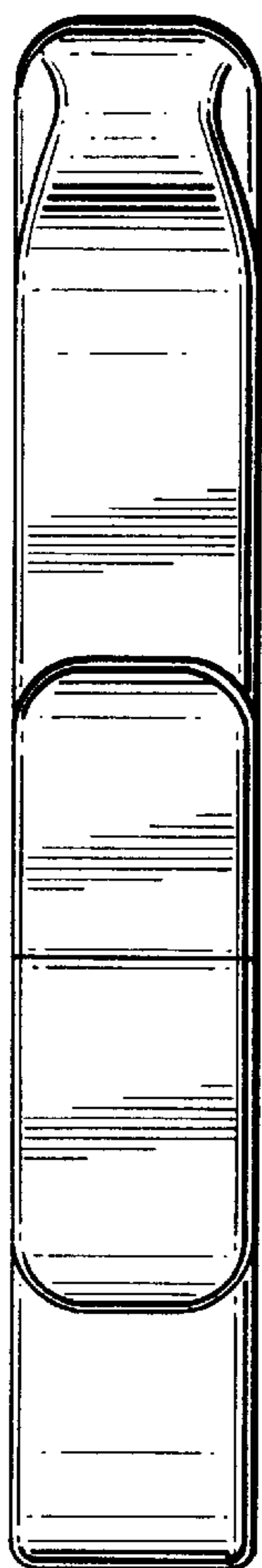


FIG. 3

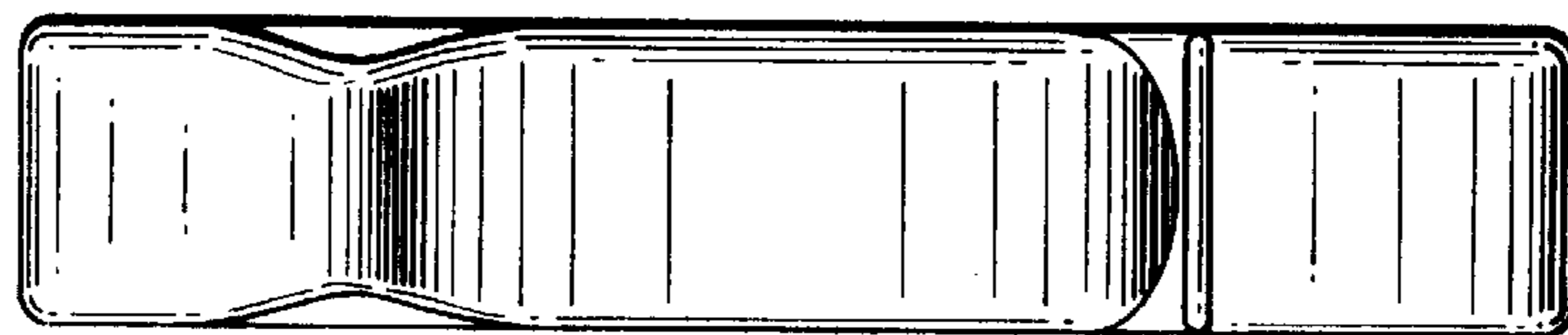


FIG. 6

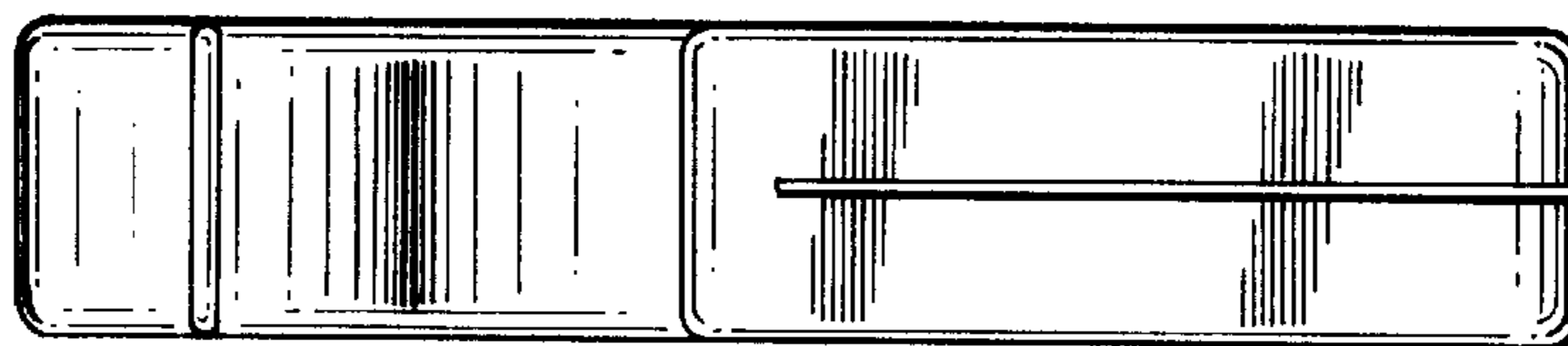


FIG. 5

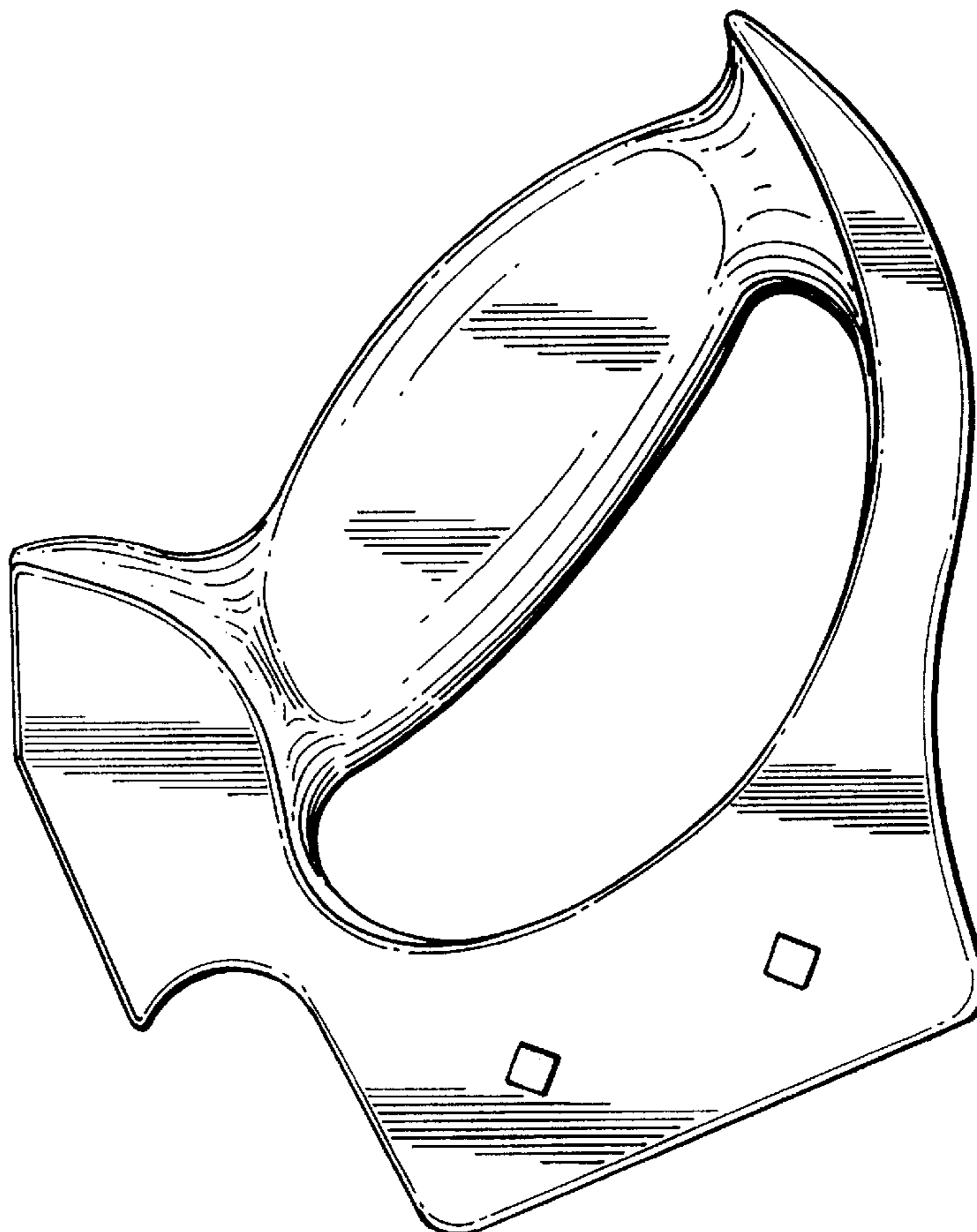


FIG. 4