



US00D395586S

United States Patent [19]

Arakawa et al.

[11] Patent Number: **Des. 395,586**

[45] Date of Patent: ****Jun. 30, 1998**

[54] **PORTABLE ELECTRIC HAMMER**

[75] Inventors: **Takuo Arakawa**, Hekinan; **Norifumi Niwa**, Chiryu, both of Japan

[73] Assignee: **Makita Corporation**, Anjo, Japan

[**] Term: **14 Years**

[21] Appl. No.: **68,894**

[22] Filed: **Apr. 9, 1997**

D. 361,252	8/1995	Neergaard et al.	D8/69
D. 380,132	6/1997	Matsunaga et al.	D8/69
1,821,436	9/1931	Holloway	D8/68 X

Primary Examiner—Antoine Duval Davis
Attorney, Agent, or Firm—Lahive & Cockfield, LLP

[57] CLAIM

The ornamental design for a portable electric hammer, as shown and described.

Related U.S. Application Data

[63] Continuation of Ser. No. 58,503, Aug. 16, 1996.

[30] Foreign Application Priority Data

Feb. 20, 1996 [JP] Japan 8-4455

[51] **LOC (6) Cl.** **08-01**

[52] **U.S. Cl.** **D8/69**

[58] **Field of Search** D8/68, 69; 81/57.11,
81/57.13, 57.14, 57.29, 464, 469, DIG. 12;
173/13, 48, 170

DESCRIPTION

FIG. 1 is a perspective view of a portable electric hammer showing my new design;

FIG. 2 is a left side elevational view thereof;

FIG. 3 is a right side elevational view thereof;

FIG. 4 is a front elevational view thereof;

FIG. 5 is a rear side elevational view thereof;

FIG. 6 is a top plan view thereof; and,

FIG. 7 is a bottom plan view thereof.

References Cited

U.S. PATENT DOCUMENTS

D. 349,029 7/1994 Matsunaga et al. D8/69

1 Claim, 5 Drawing Sheets

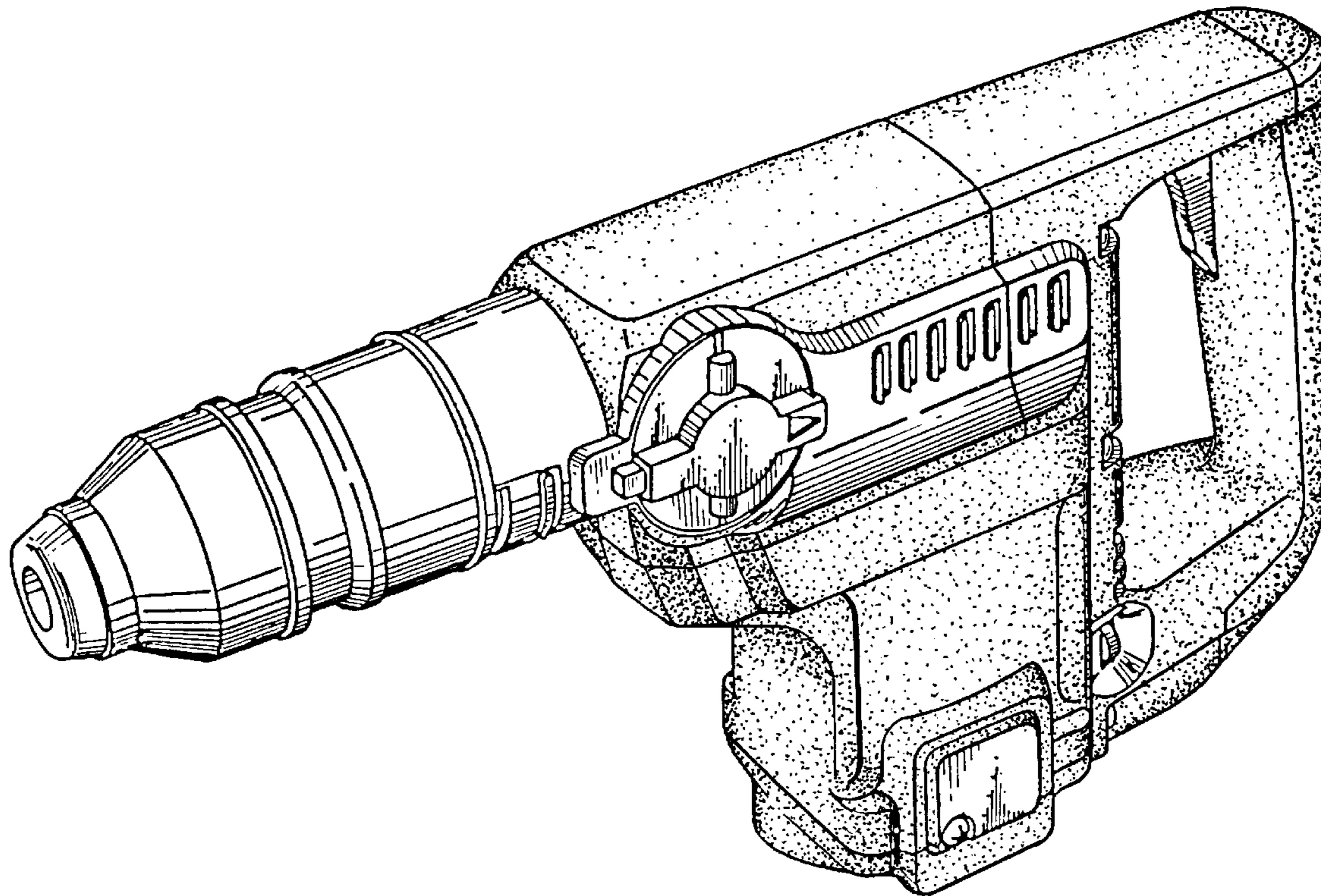


FIG. 1

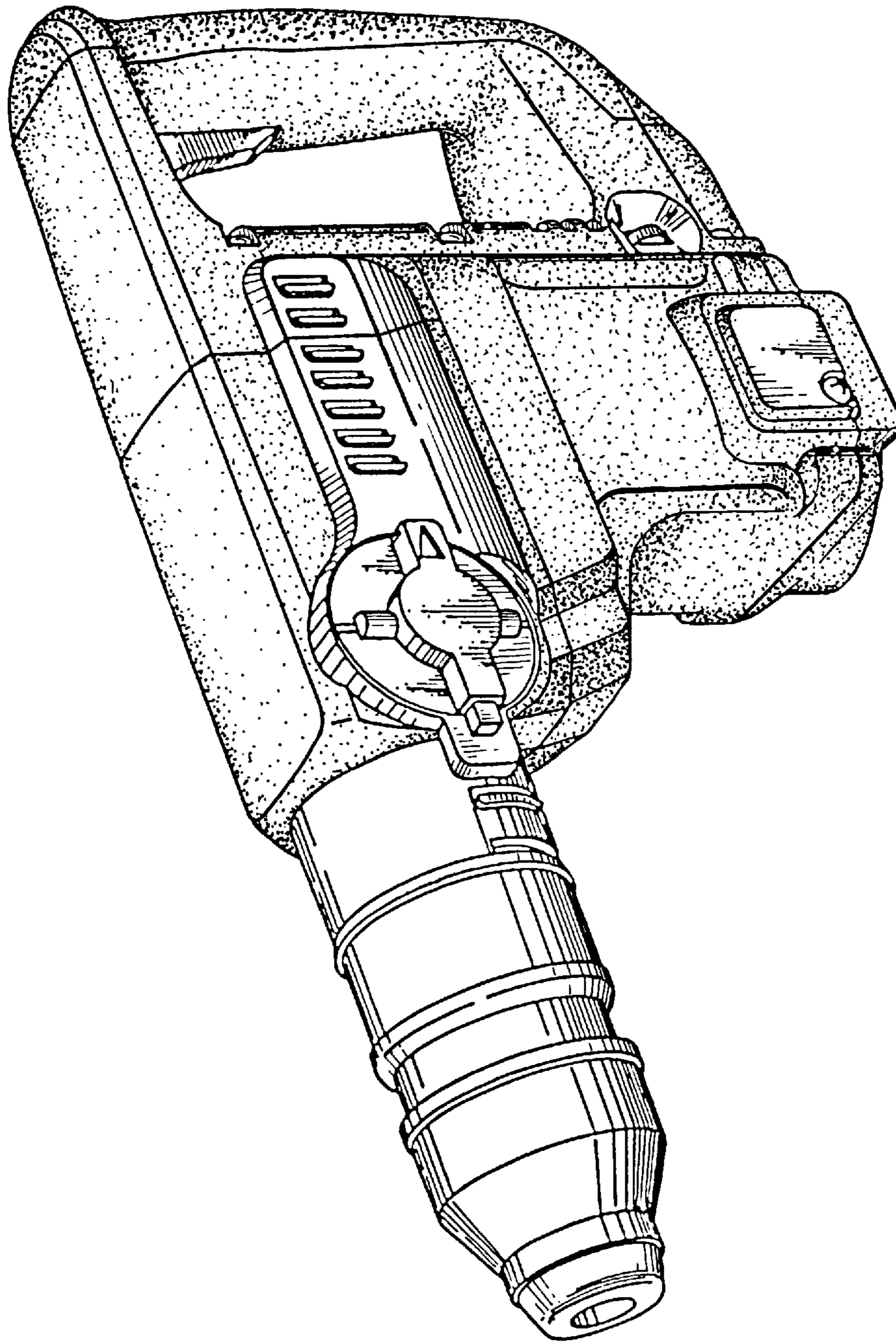


FIG. 2

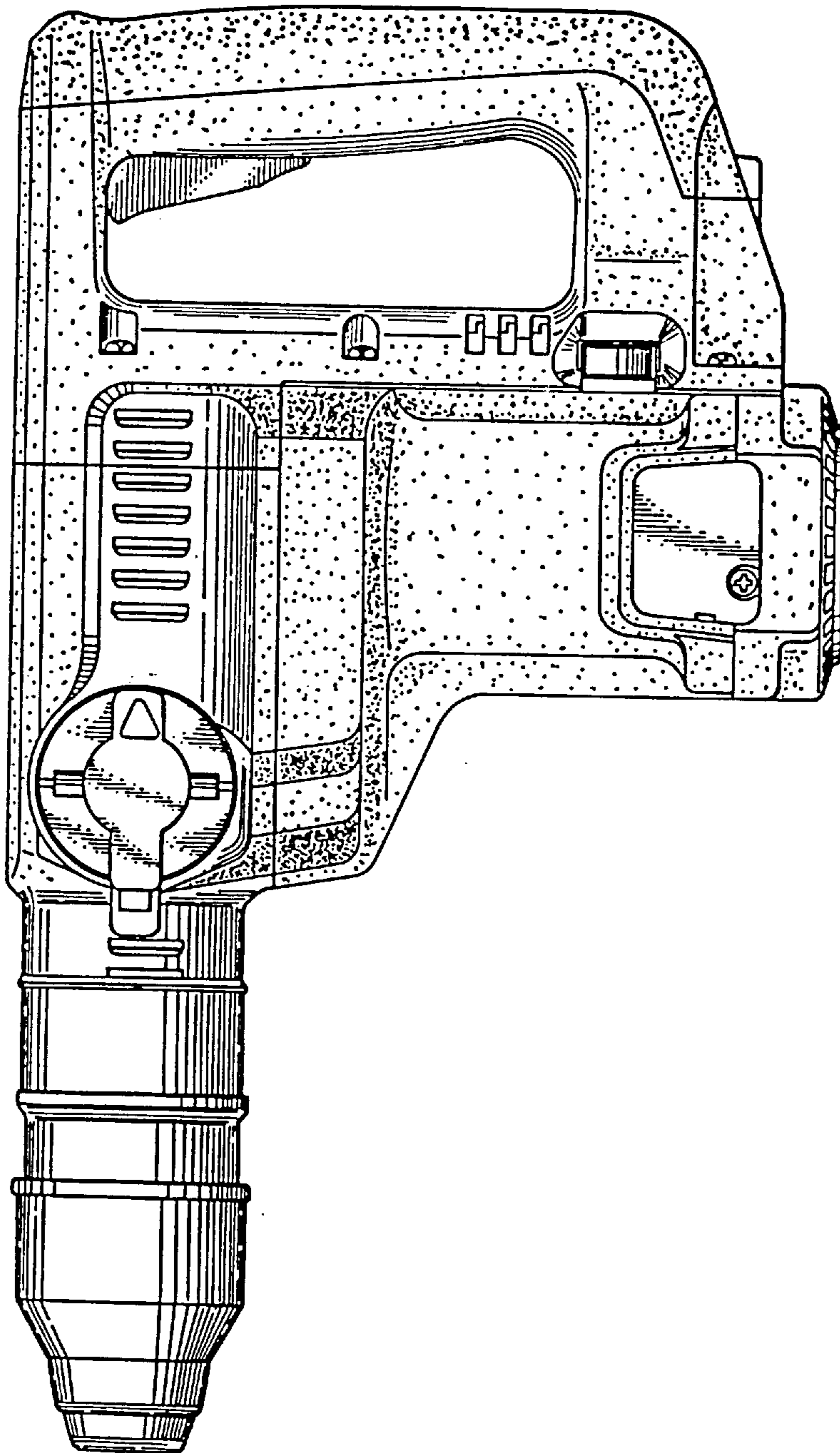


FIG. 3

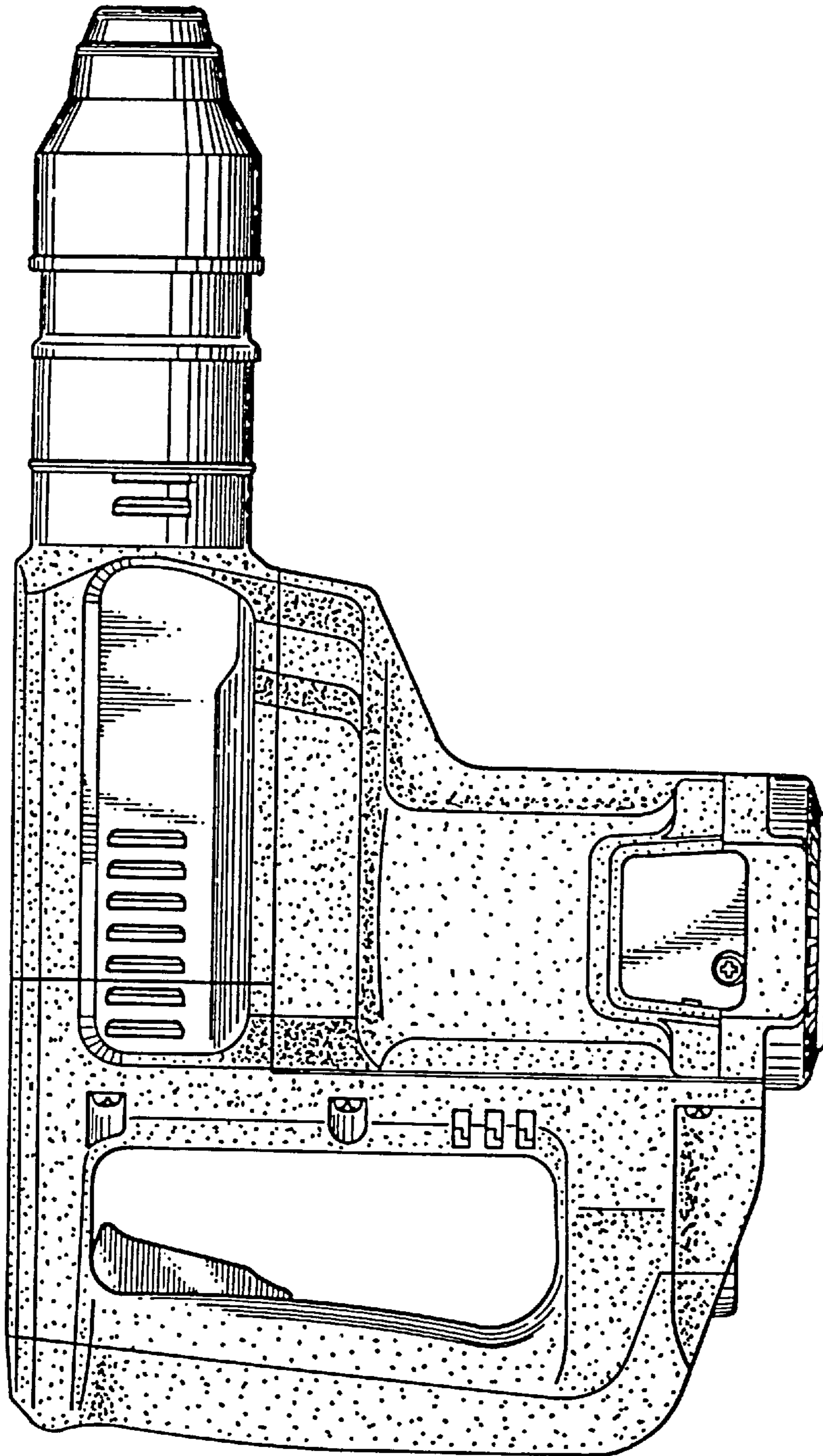


FIG. 4

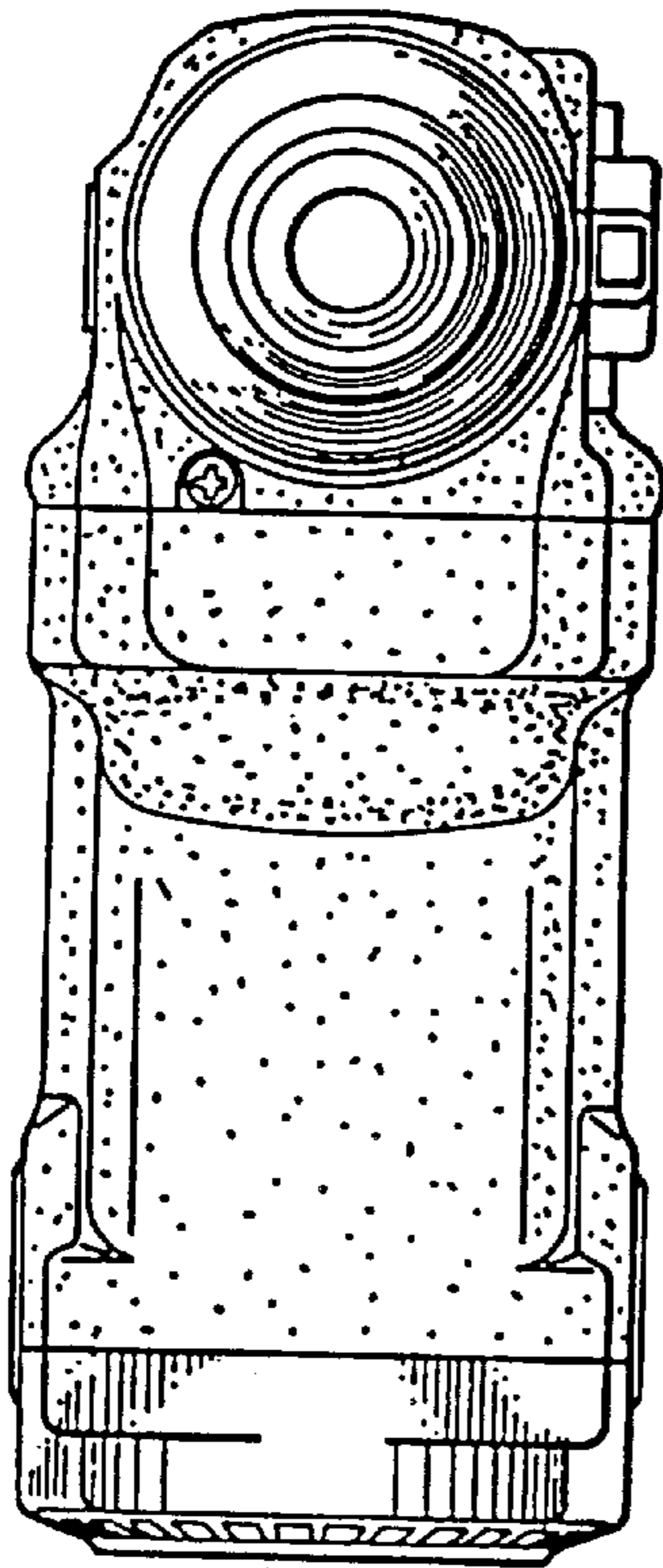


FIG. 5

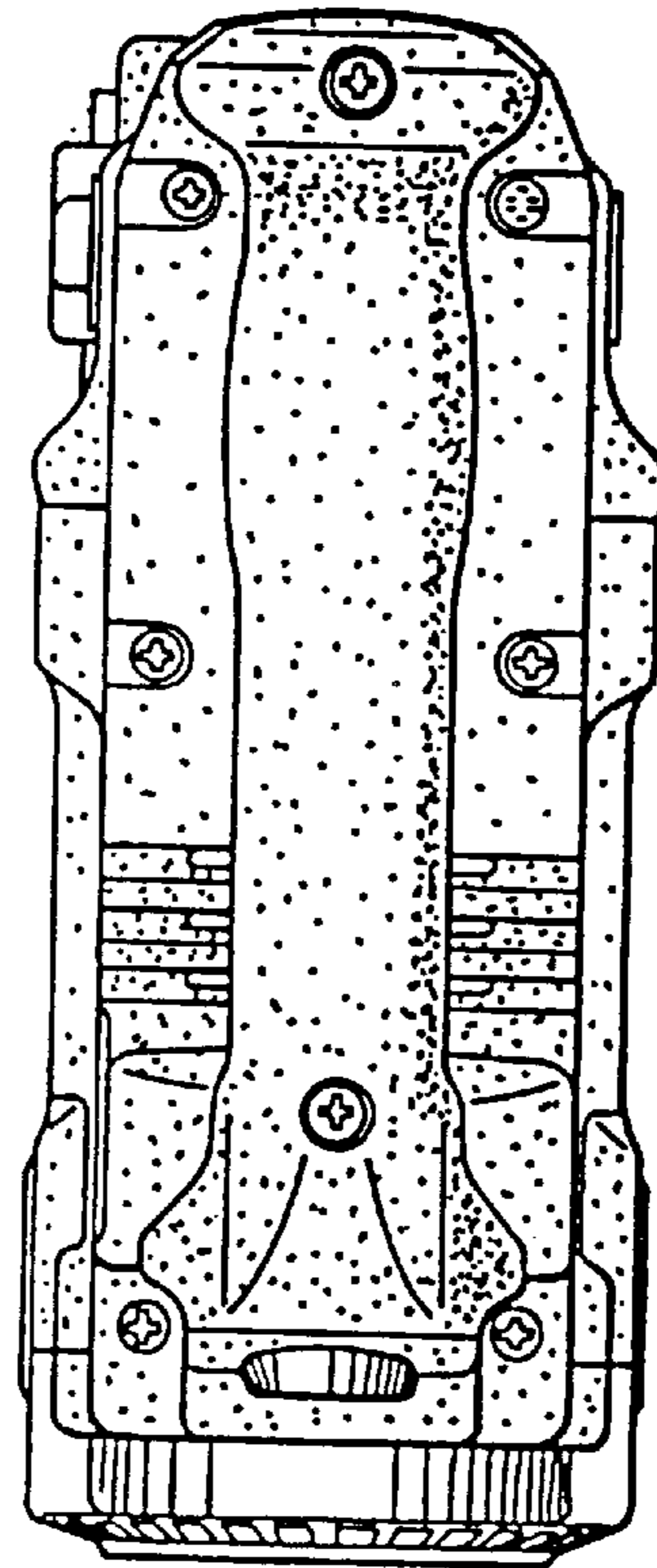


FIG. 6

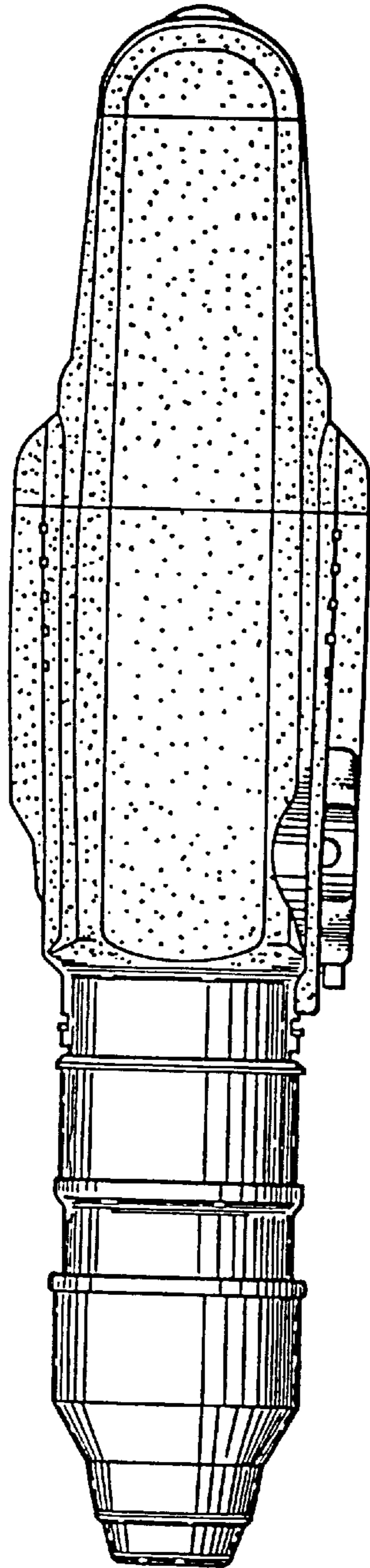


FIG. 7

