



US00D395581S

United States Patent [19]

Chai et al.

[11] Patent Number: **Des. 395,581**

[45] Date of Patent: ****Jun. 30, 1998**

[54] **LOPPER**

[75] Inventors: **Chiping (Peter) Chai**, Diamond Bar;
Nghiem Tran; **Louie Lemus**, both of
Corona, all of Calif.

[73] Assignee: **Harrow Products, Inc.**, Grand Rapids,
Mich.

[**] Term: **14 Years**

[21] Appl. No.: **73,047**

[22] Filed: **Jun. 23, 1997**

[51] **LOC (6) Cl.** **08-01**

[52] **U.S. Cl.** **D8/5**

[58] **Field of Search** **D8/5; 30/251-253**

[56] **References Cited**

U.S. PATENT DOCUMENTS

D. 320,333	10/1991	Grove	D8/5
D. 344,219	2/1994	Wensley et al.	D8/5
D. 357,390	4/1995	Thompson et al.	D8/5
2,685,735	8/1954	Sorensen	.	
3,170,237	2/1965	Weidauer	.	
3,678,580	7/1972	Haffner et al.	.	
3,740,846	6/1973	Duffy	.	
4,048,721	9/1977	Gunson	.	
4,534,109	8/1985	Bush et al.	.	

4,964,216	10/1990	Gosselin	.
4,980,975	1/1991	Hodson	.
5,020,222	6/1991	Gosselin et al.	.
5,168,629	12/1992	Willard	.
5,341,573	8/1994	Linden et al.	.

OTHER PUBLICATIONS

Flying High Catalog, p. 19, loppers item e at left of page,
Aug. 1995.

Primary Examiner—Holly Baynham
Attorney, Agent, or Firm—Price, Gess & Ubell

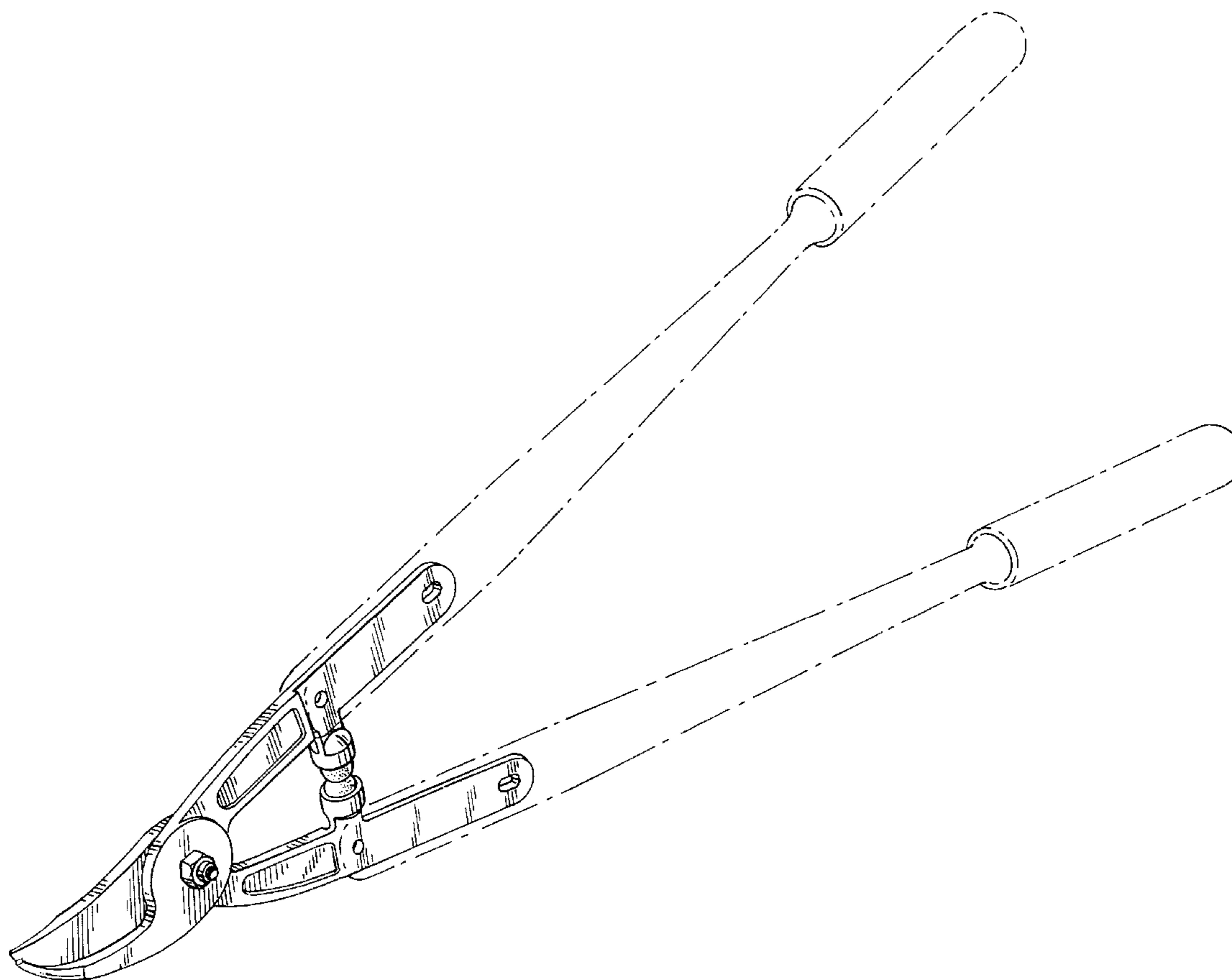
[57] **CLAIM**

The ornamental design for the lopper, as shown and
described.

DESCRIPTION

FIG. 1 is a right side perspective view of the lopper showing
our new design;
FIG. 2 is an enlarged left plan view of the lopper of FIG. 1;
FIG. 3 is a top plan view of the lopper of FIG. 1;
FIG. 4 is a rear plan view of the lopper of FIG. 1;
FIG. 5 is a front plan view of the lopper of FIG. 1;
FIG. 6 is a bottom plan view of the lopper of FIG. 1; and,
FIG. 7 is a right plan view of the lopper of FIG. 1.
The broken line showing of lopper handles is for illustrative
purposes only and forms no part of the claimed design.

1 Claim, 3 Drawing Sheets



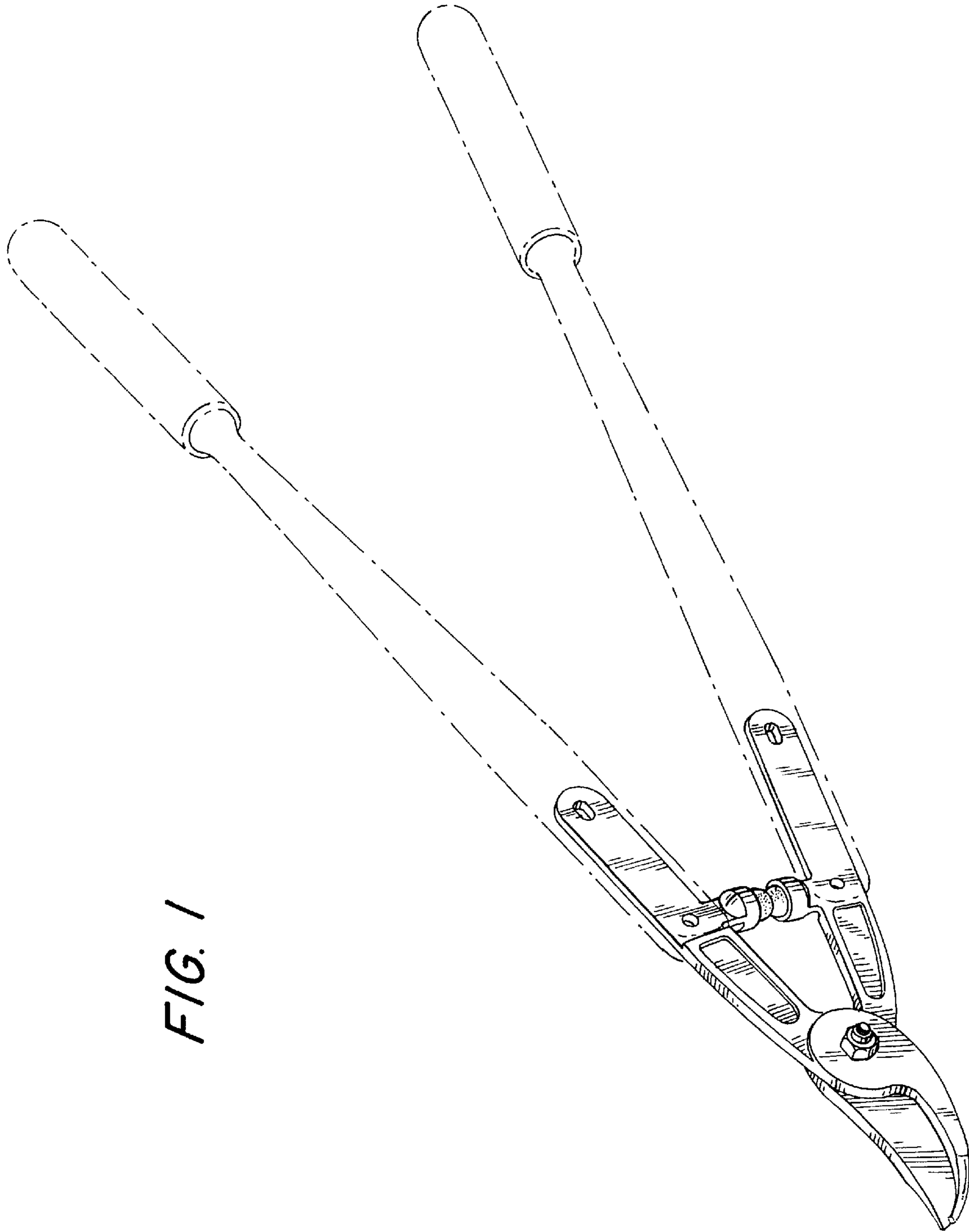


FIG. 1

FIG. 5

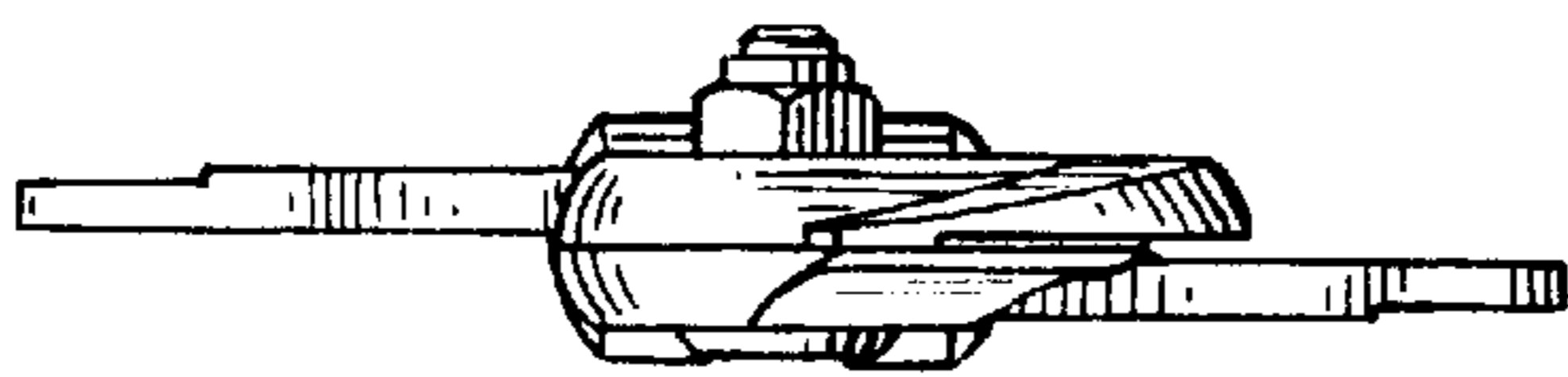


FIG. 2

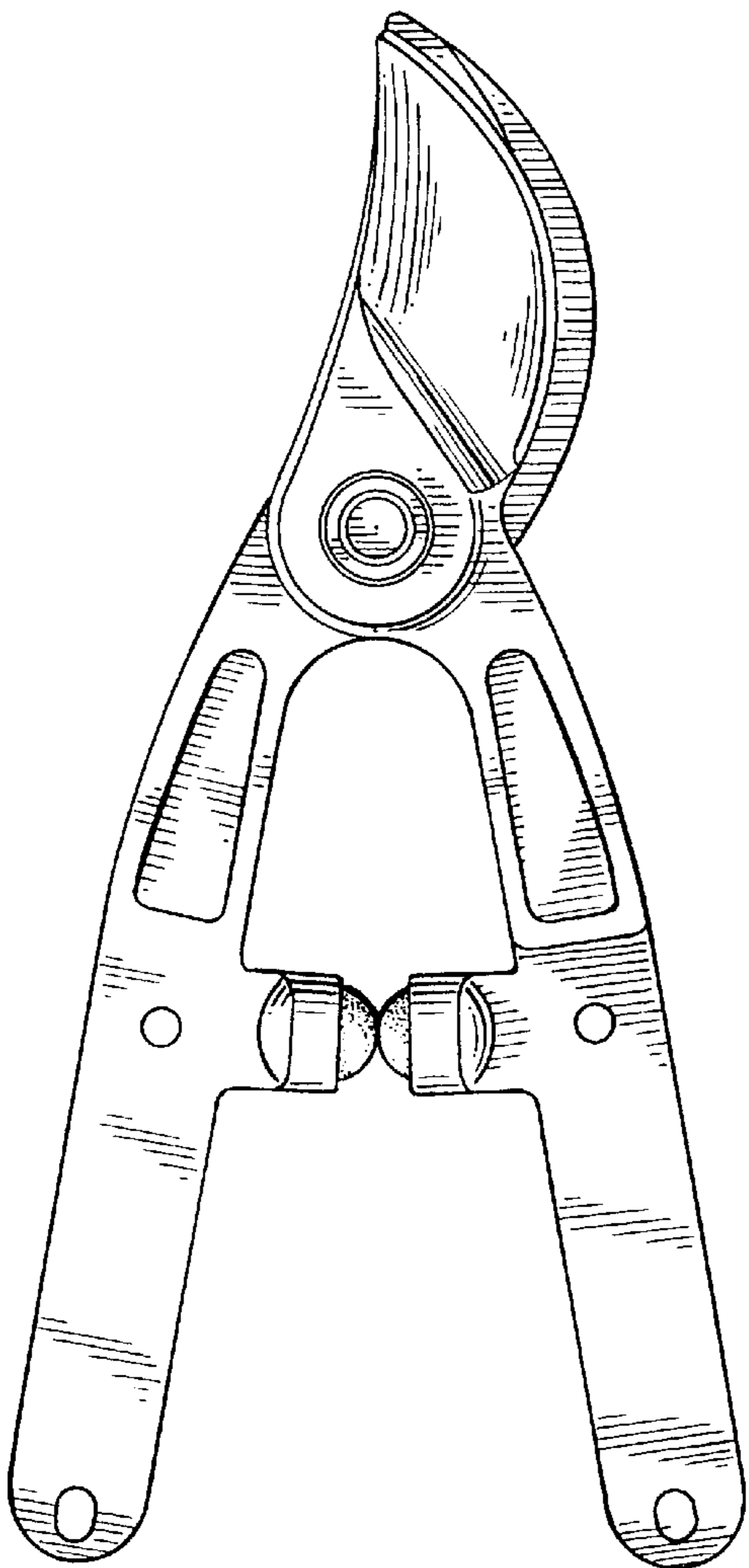


FIG. 4

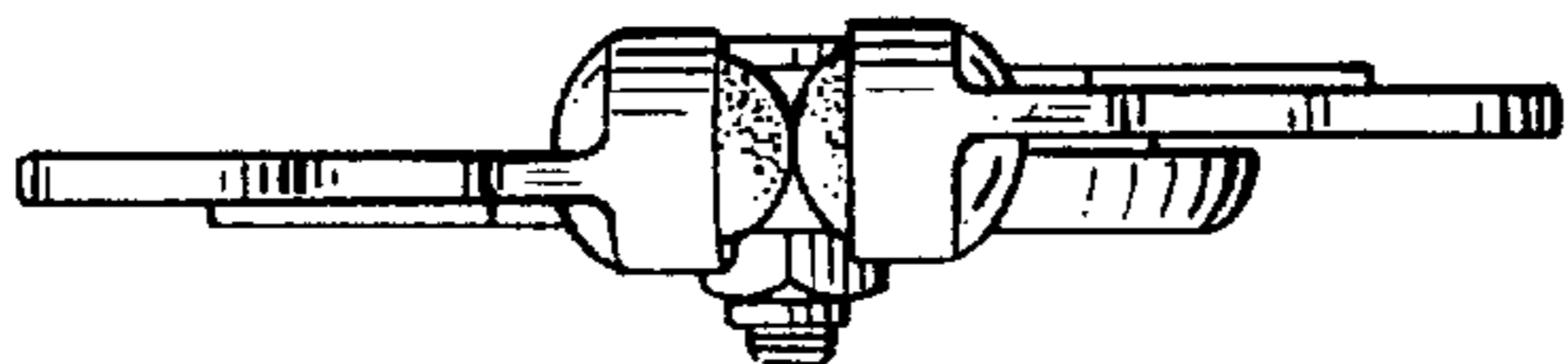


FIG. 3

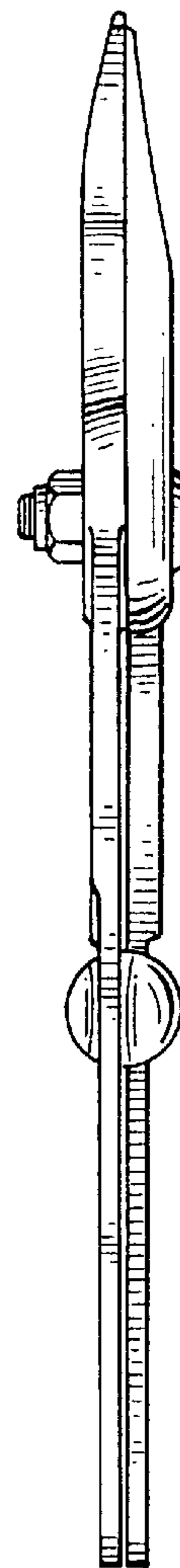


FIG. 6

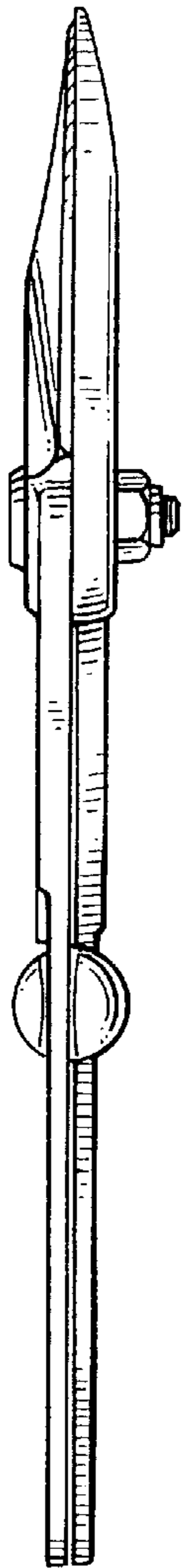


FIG. 7

