

US00D395580S

**United States Patent** [19]  
**Kendrick**

[11] **Patent Number: Des. 395,580**

[45] **Date of Patent: \*\*Jun. 30, 1998**

[54] **CAN CARRIER/STORAGE DEVICE**

1,930,386 10/1933 Feedback ..... 206/742

[76] Inventor: **Kathleen S. Kendrick**, 21 Lincoln St.,  
Weston, Mass. 02193

*Primary Examiner*—Terry A. Wallace  
*Attorney, Agent, or Firm*—William Nitkin

[\*\*] Term: **14 Years**

[57] **CLAIM**

[21] Appl. No.: **65,521**

The ornamental design for a can carrier/storage device, as shown and described.

[22] Filed: **Jan. 27, 1997**

**DESCRIPTION**

[51] **LOC (6) Cl.** ..... **07-06**

[52] **U.S. Cl.** ..... **D7/701; D19/90**

[58] **Field of Search** ..... D7/701; D6/407,  
D6/467; D19/90; 206/740, 741, 742; 220/507

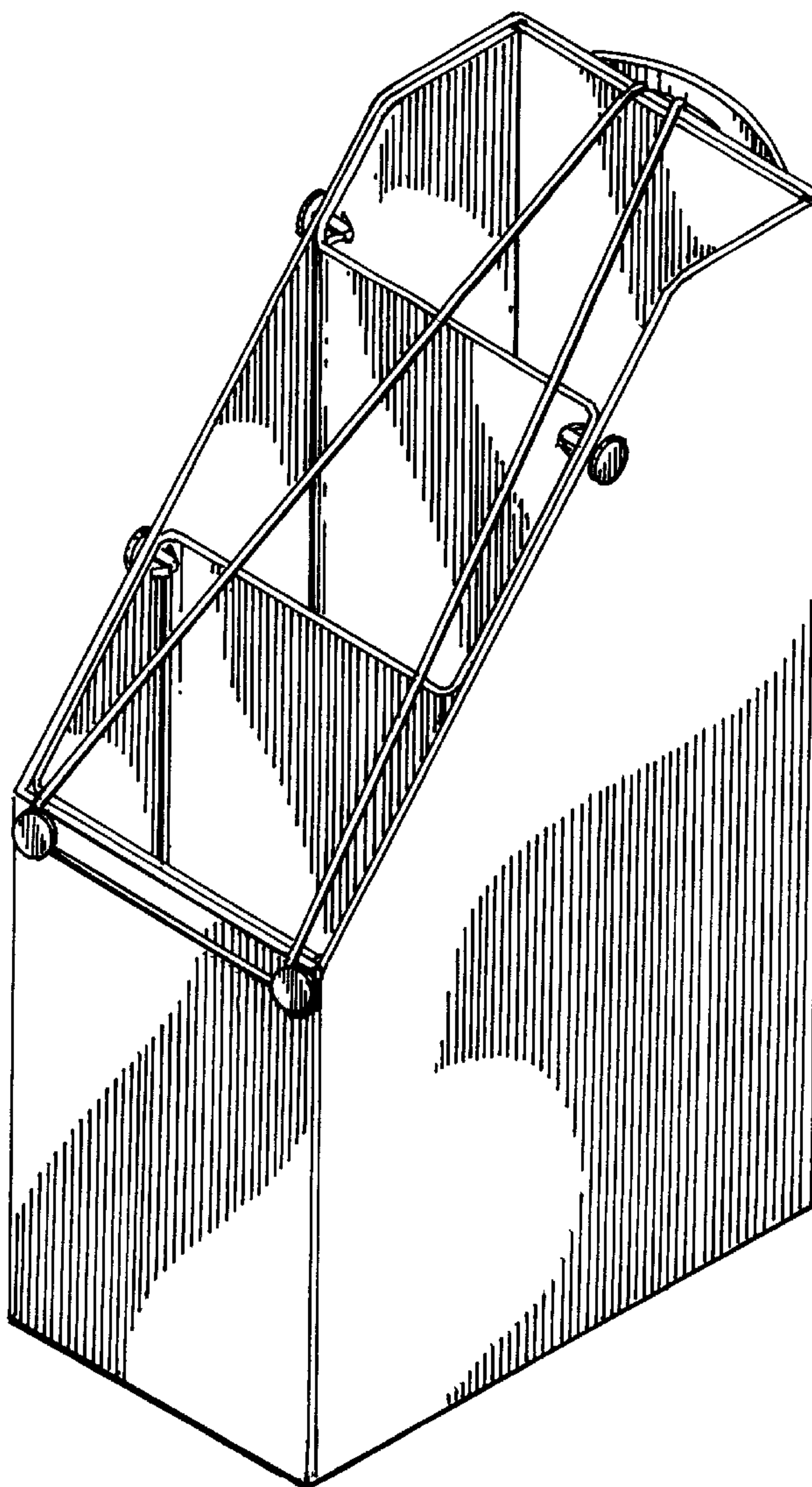
FIG. 1 is a left side elevational view of a can carrier/storage device showing my new design;  
FIG. 2 is a right side elevational view thereof;  
FIG. 3 is a rear elevational view thereof;  
FIG. 4 is a front elevational view thereof;  
FIG. 5 is a top plan view thereof;  
FIG. 6 is a bottom plan view thereof; and,  
FIG. 7 is a front perspective view thereof shown on an enlarged scale.

[56] **References Cited**

**U.S. PATENT DOCUMENTS**

D. 334,675	4/1993	Evensen	.....	D19/90	X
D. 335,996	6/1993	Evensen	.....	D19/90	X
D. 357,118	4/1995	Kendrick	.....	D3/306	X

**1 Claim, 2 Drawing Sheets**



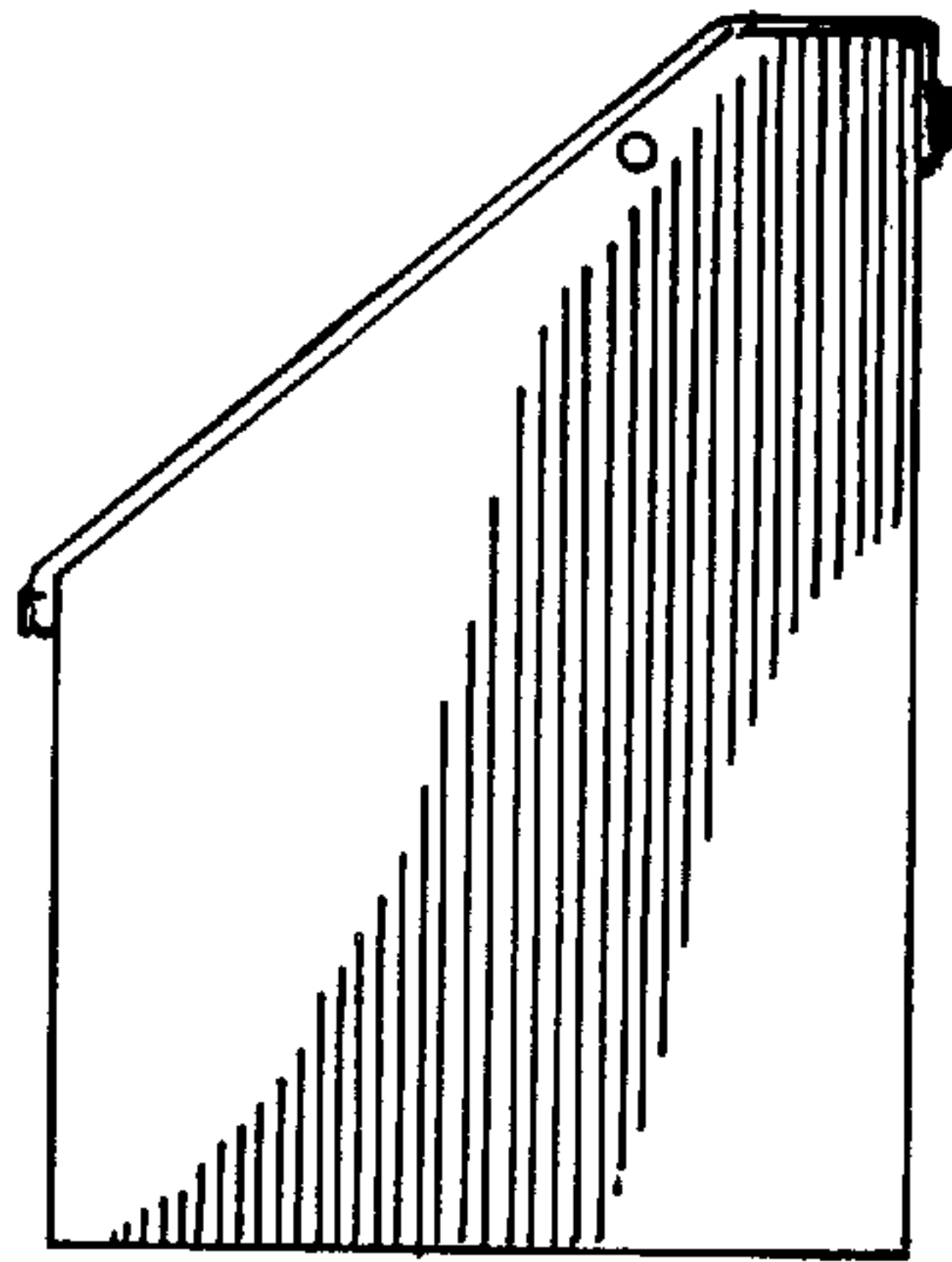


FIG. 1

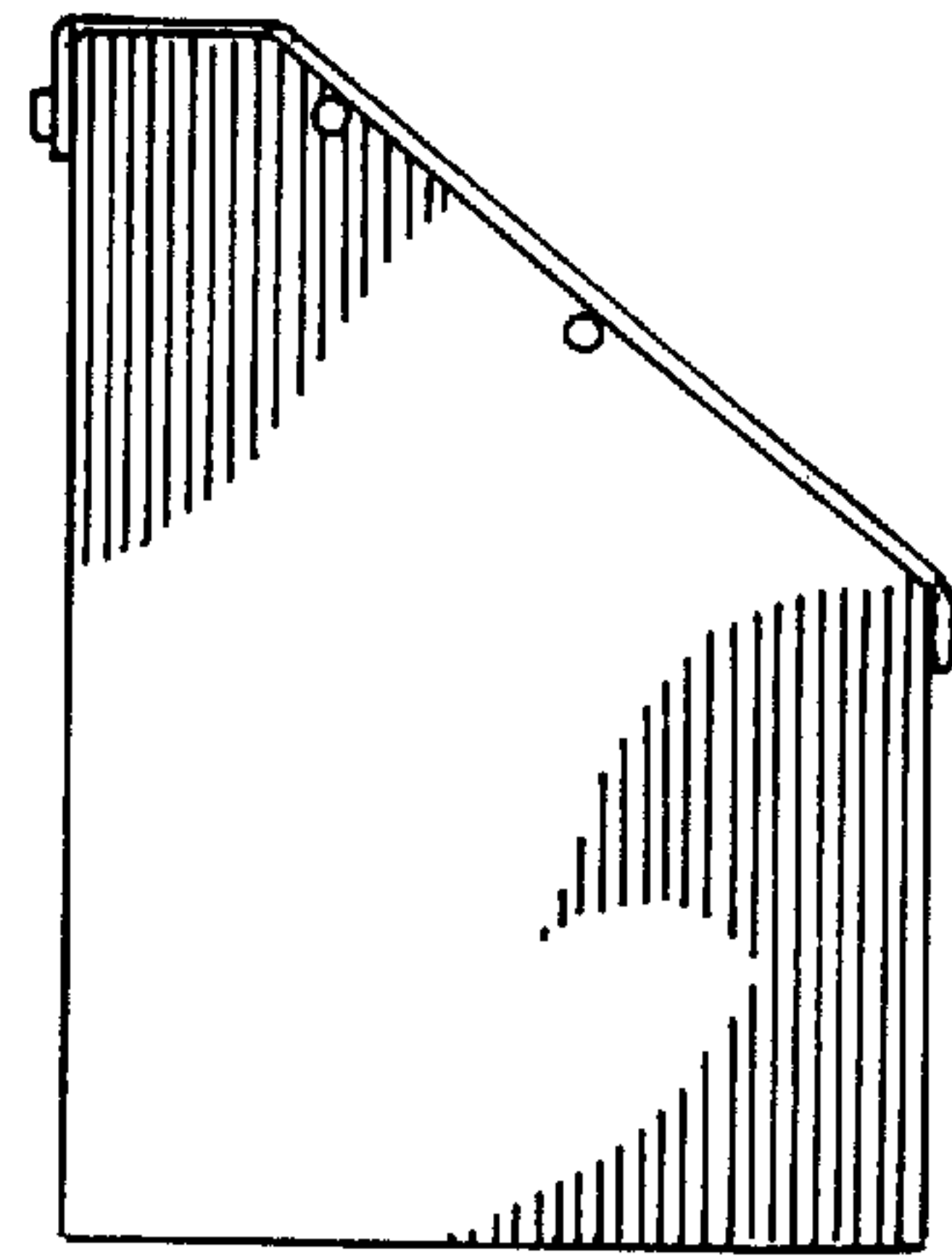


FIG. 2

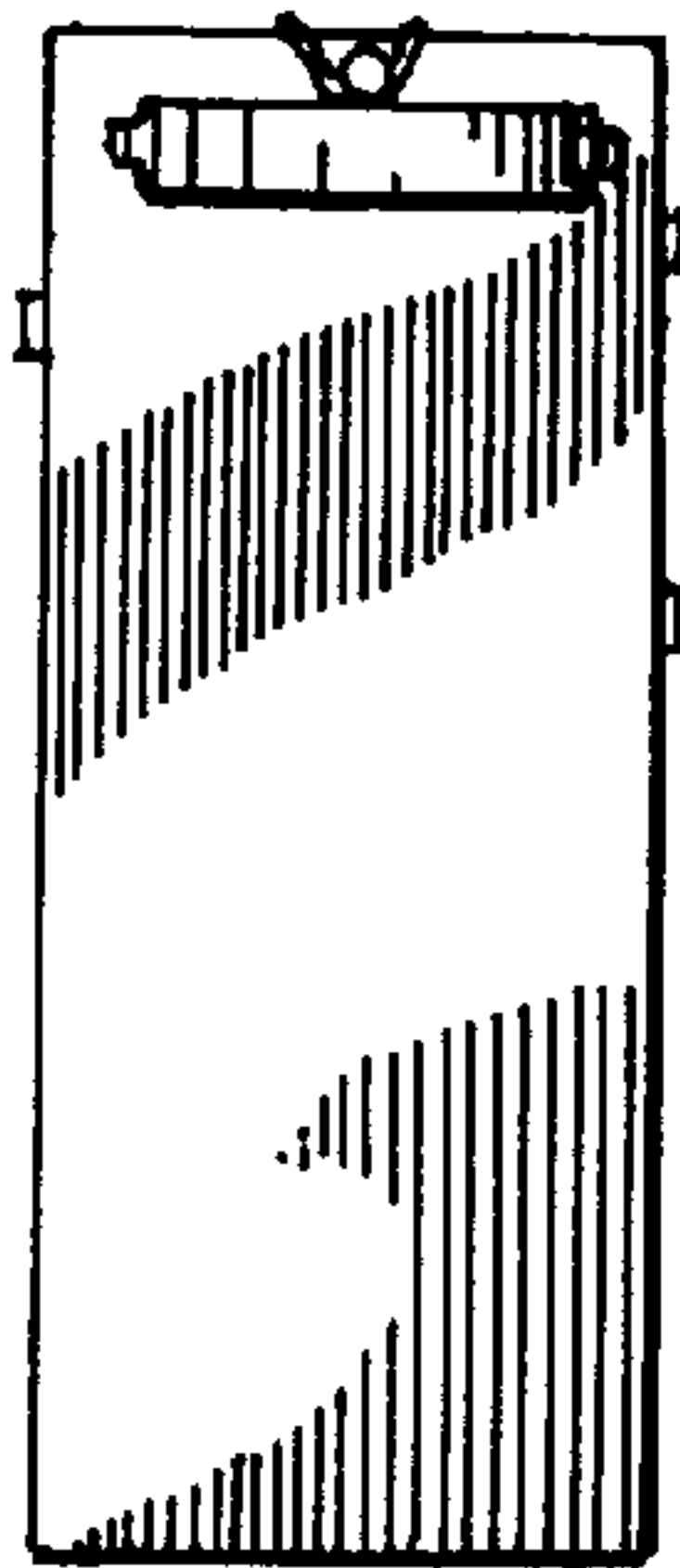


FIG. 3

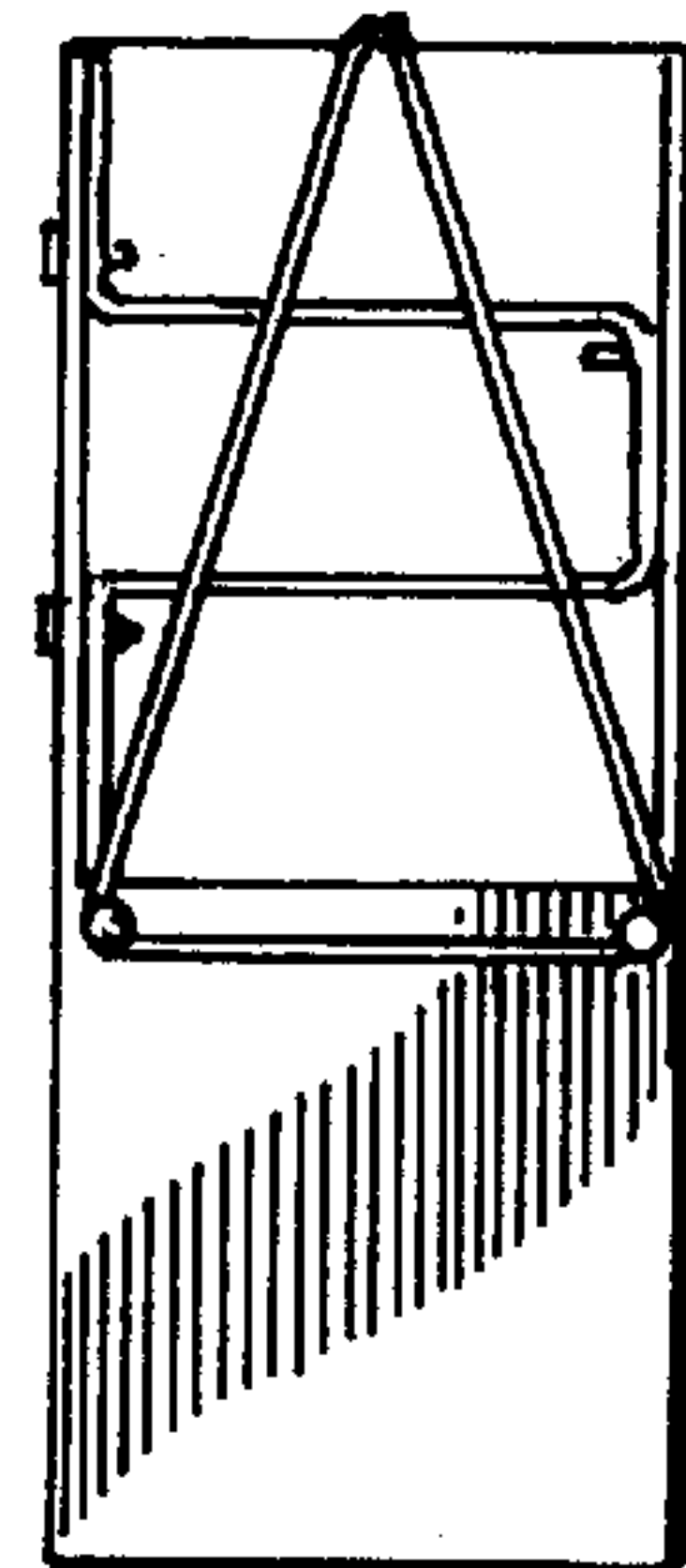


FIG. 4

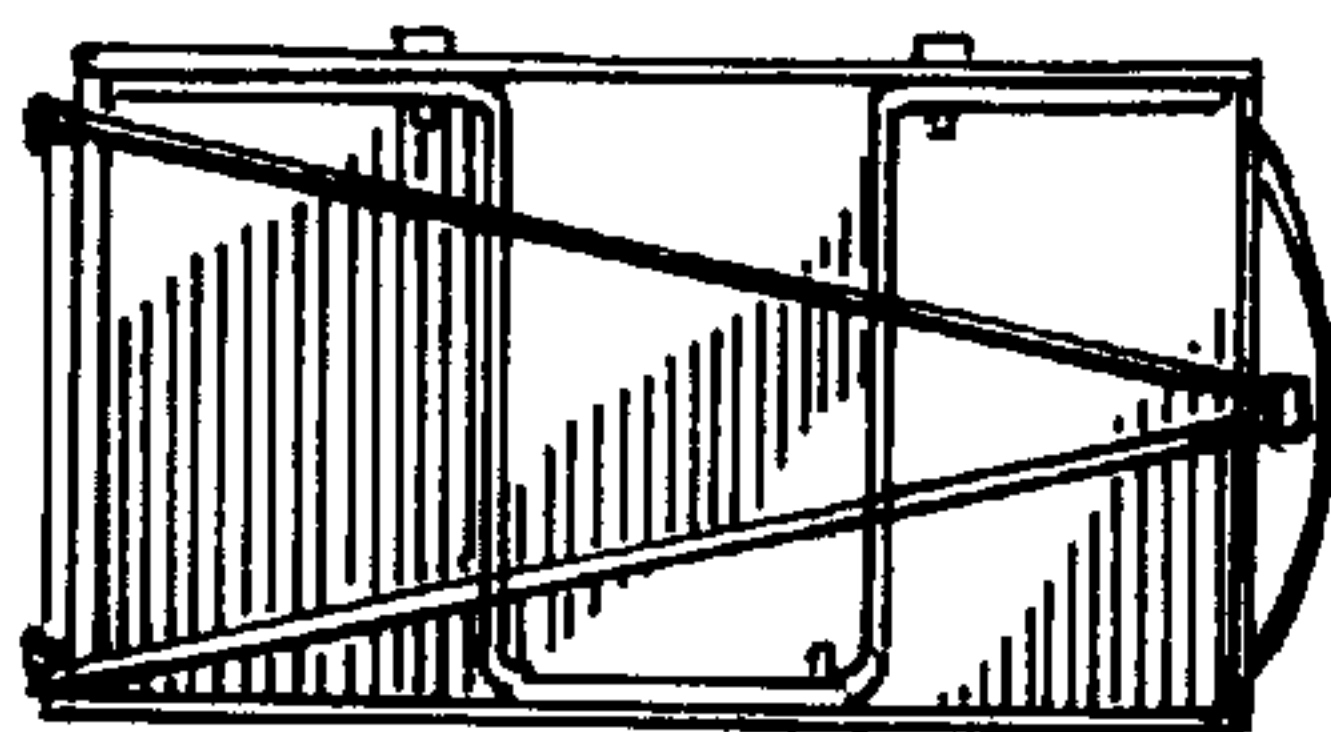


FIG. 5

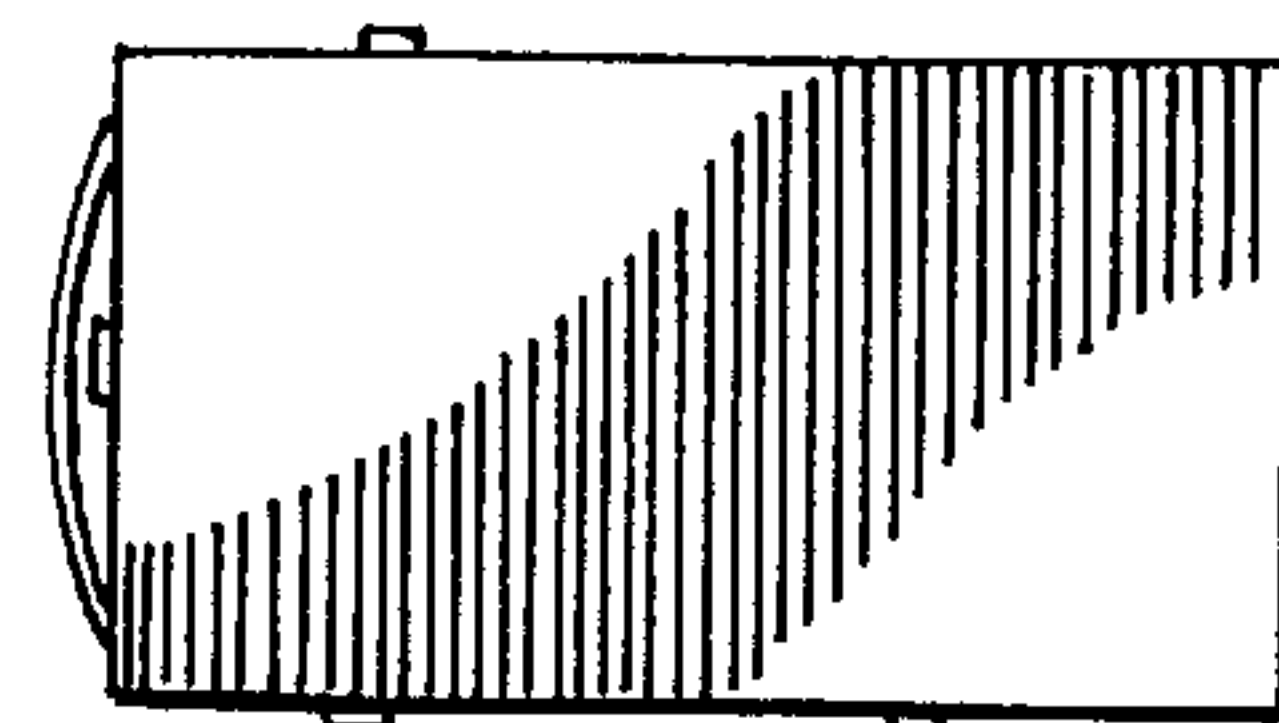


FIG. 6

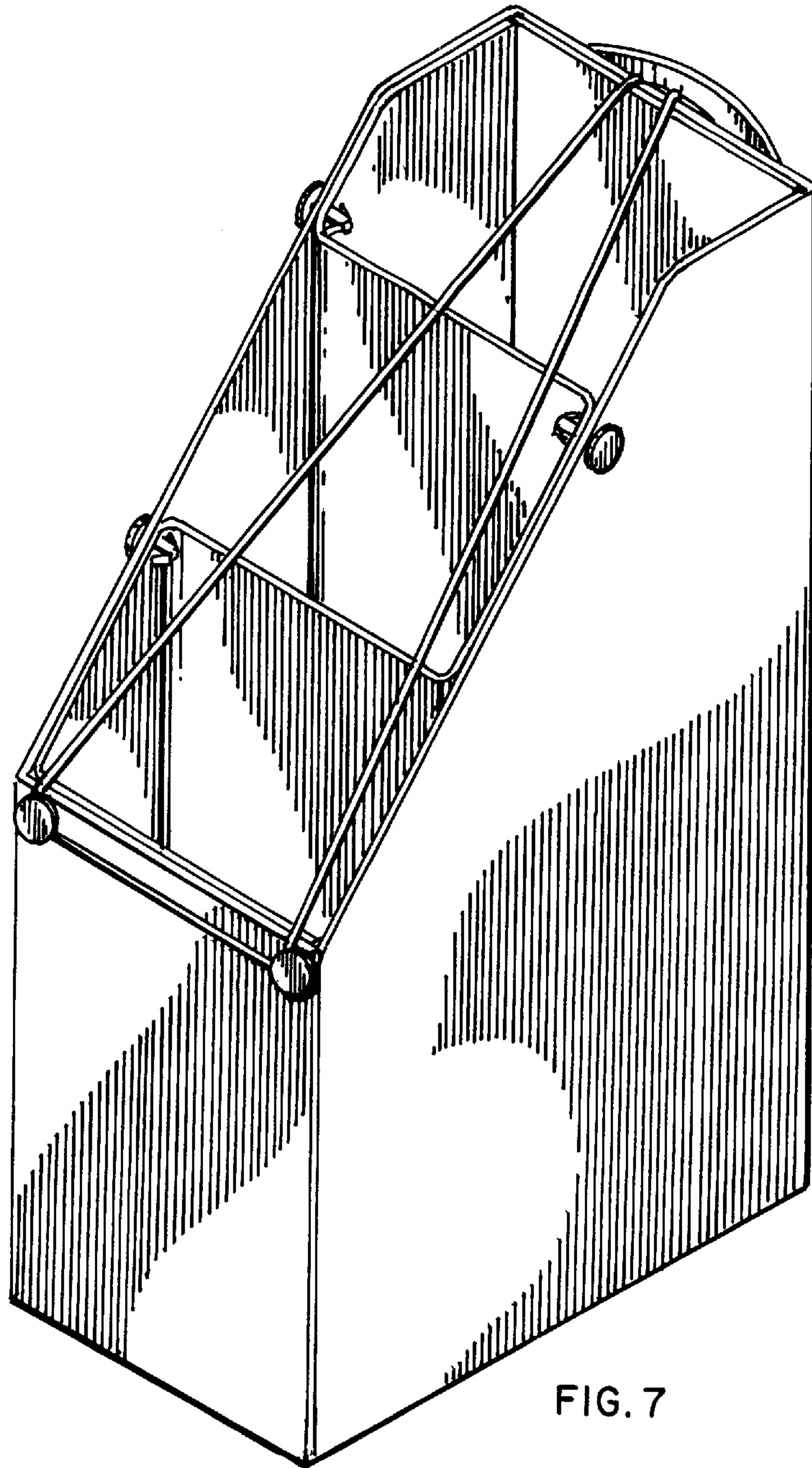


FIG. 7