



US00D395578S

United States Patent [19]

[11] **Patent Number: Des. 395,578**

Pulitano

[45] **Date of Patent: **Jun. 30, 1998**

[54] **TABLE TOP ORGANIZER FOR CONDIMENT CONTAINERS, MENUS AND NAPKINS**

Attorney, Agent, or Firm—Haverstock, Garrett & Roberts

[76] Inventor: **Frank Pulitano**, 163 Summer St.,
Stratford, Conn. 06497

[57] **CLAIM**

[**] Term: **14 Years**

The ornamental design for a table top organizer for condiment containers, menus and napkins, as shown and described.

[21] Appl. No.: **72,498**

DESCRIPTION

[22] Filed: **Jun. 19, 1997**

[51] **LOC (6) Cl.** **07-06**

[52] **U.S. Cl.** **D7/590; D7/601; D7/632;**
D19/90

[58] **Field of Search** D7/590, 601, 631,
D7/632; D19/34.1, 34.2, 65, 75, 86, 90-92;
211/13.1, 43, 45, 51, 49.1, 71, 85.4, 126.1,
126.12

FIG. 1 is a perspective view of a table top organizer for condiment containers, menus and napkins showing my new design;

FIG. 2 is a left side elevation view thereof, the opposite side being a mirror image;

FIG. 3 is a front elevation view thereof, the opposite side being a mirror image;

FIG. 4 is a top plan view thereof;

FIG. 5 is a bottom plan view thereof;

FIG. 6 is a perspective view of an alternate embodiment of FIG. 1;

FIG. 7 is a left side elevation view of FIG. 6, the opposite side being a mirror image;

FIG. 8 is a front elevation view of FIG. 6, the opposite side being a mirror image;

FIG. 9 is a top plan view of FIG. 6; and,

FIG. 10 is a bottom plan view of FIG. 6.

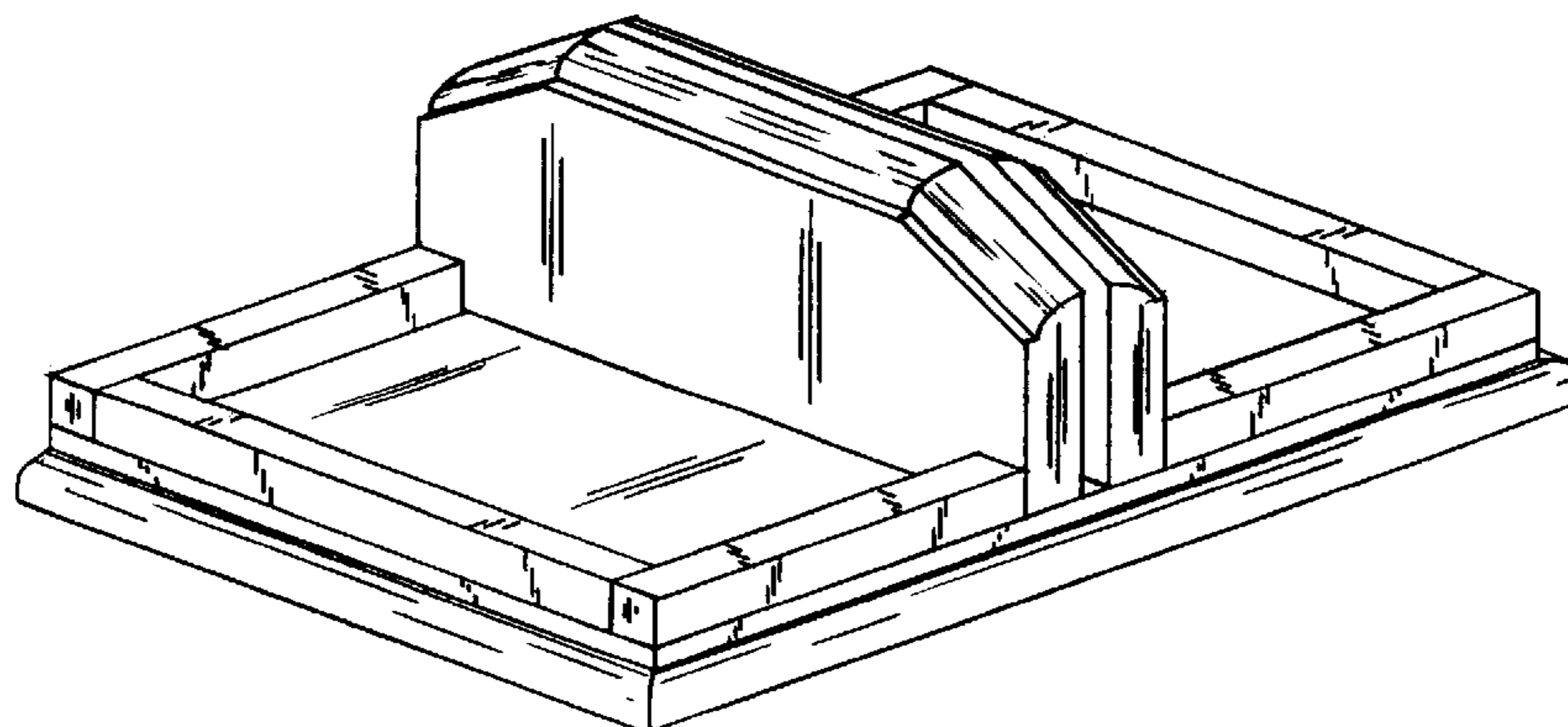
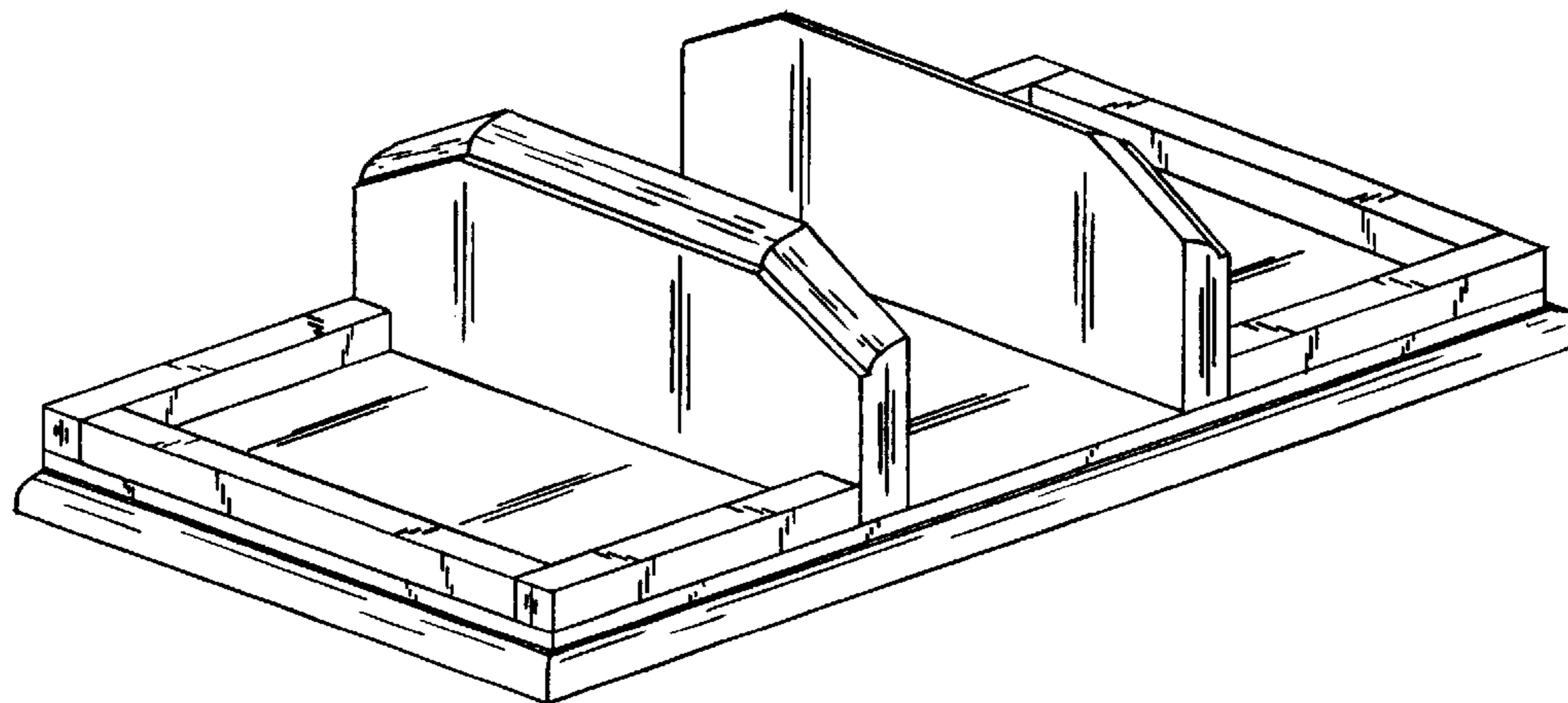
[56] **References Cited**

U.S. PATENT DOCUMENTS

D. 55,266	5/1920	Fuller	D19/78 X
D. 156,670	12/1949	Runnels	D7/592
D. 324,155	2/1992	Hyman	D7/632
3,318,454	5/1967	Donlin	211/43

Primary Examiner—Terry A. Wallace

1 Claim, 2 Drawing Sheets



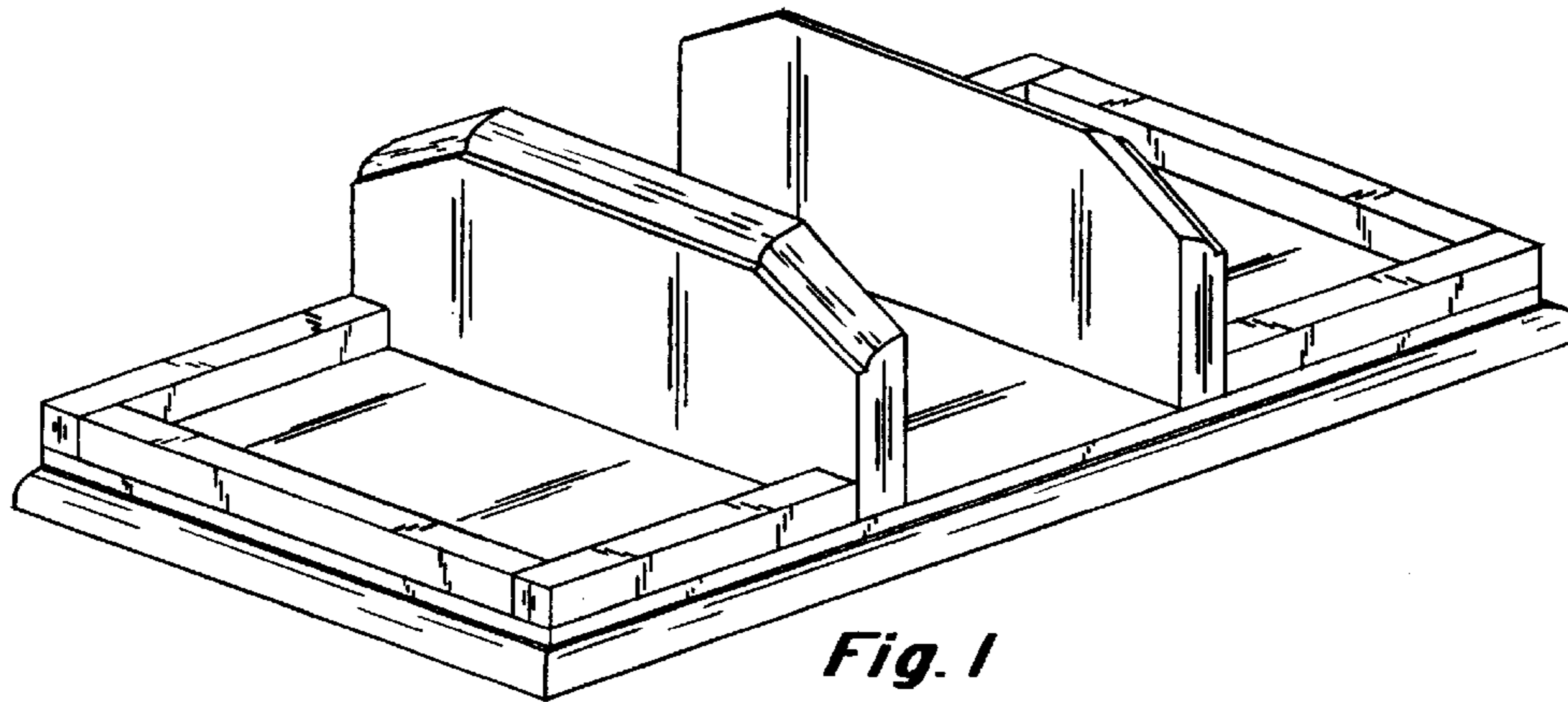


Fig. 1

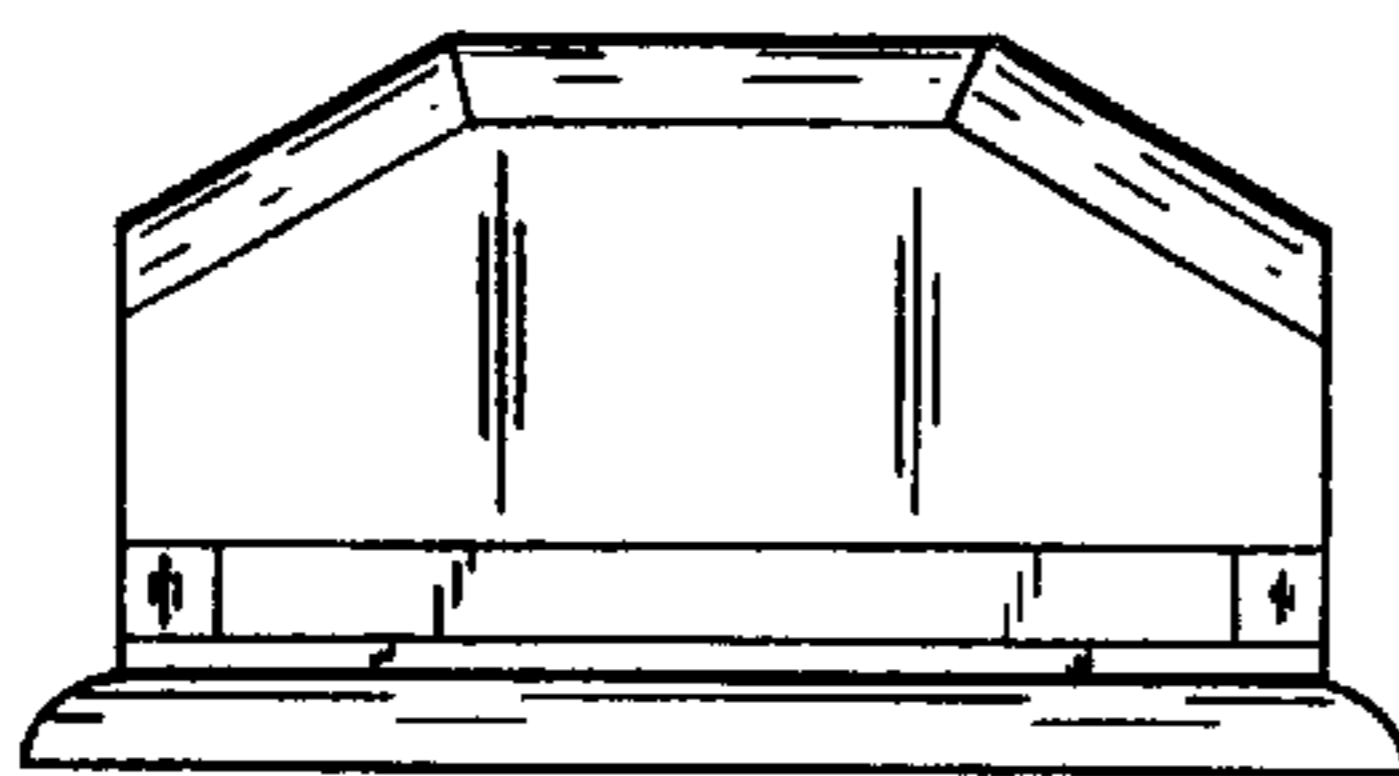


Fig. 3

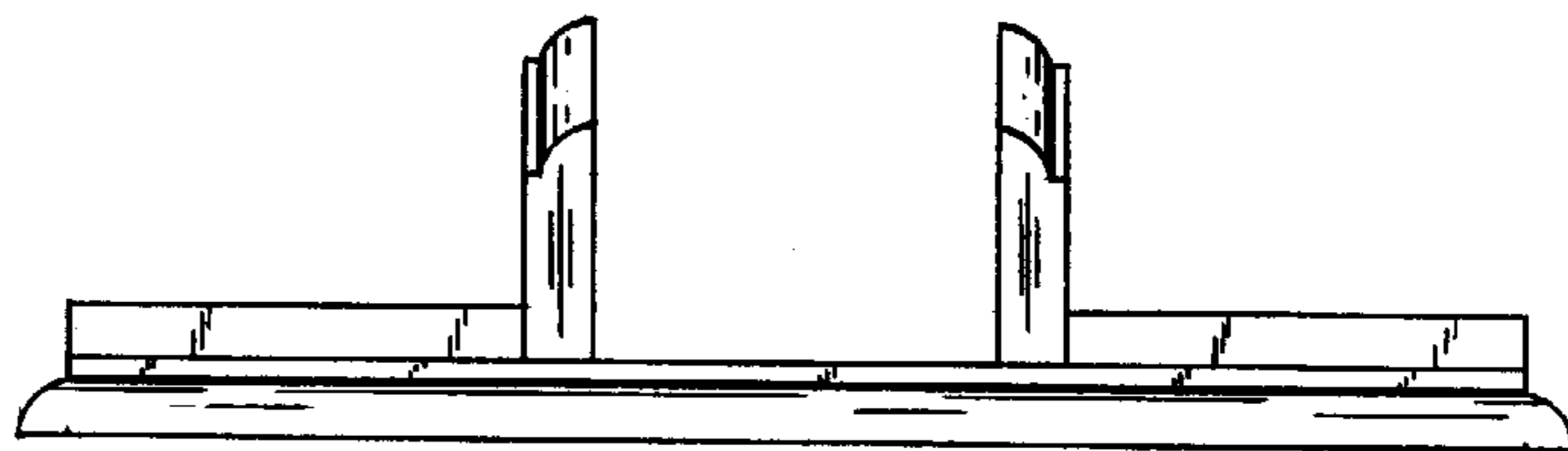


Fig. 2



Fig. 4

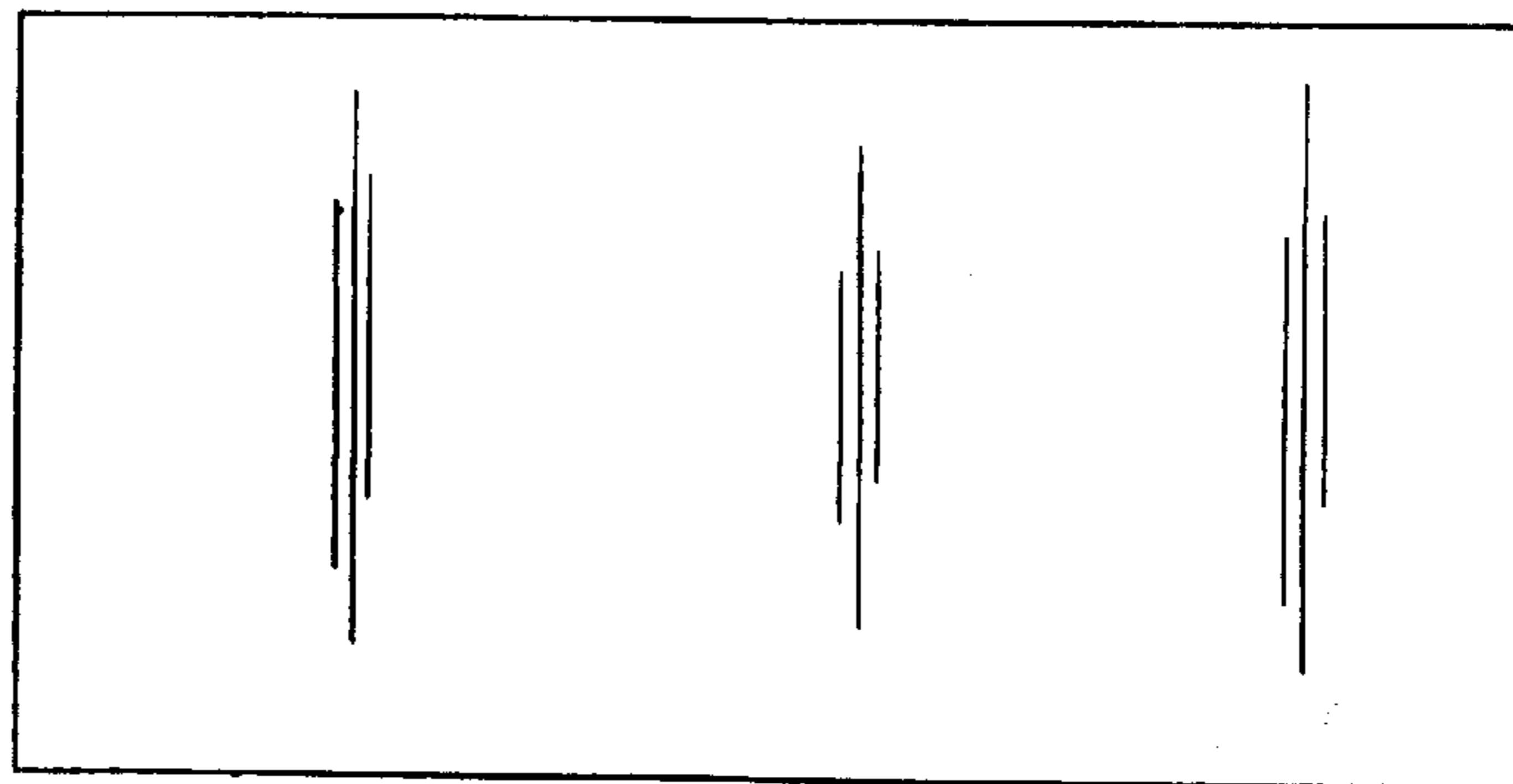


Fig. 5

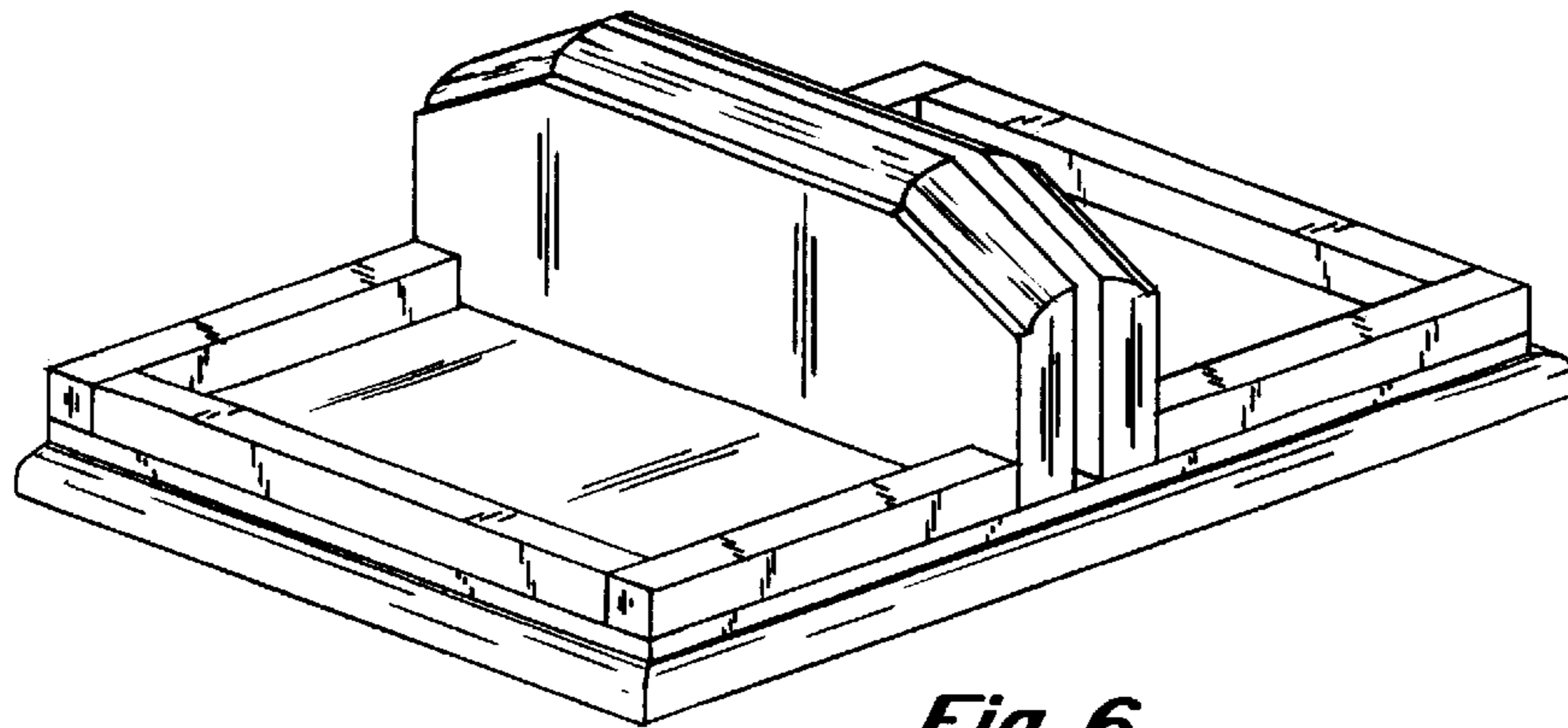


Fig. 6

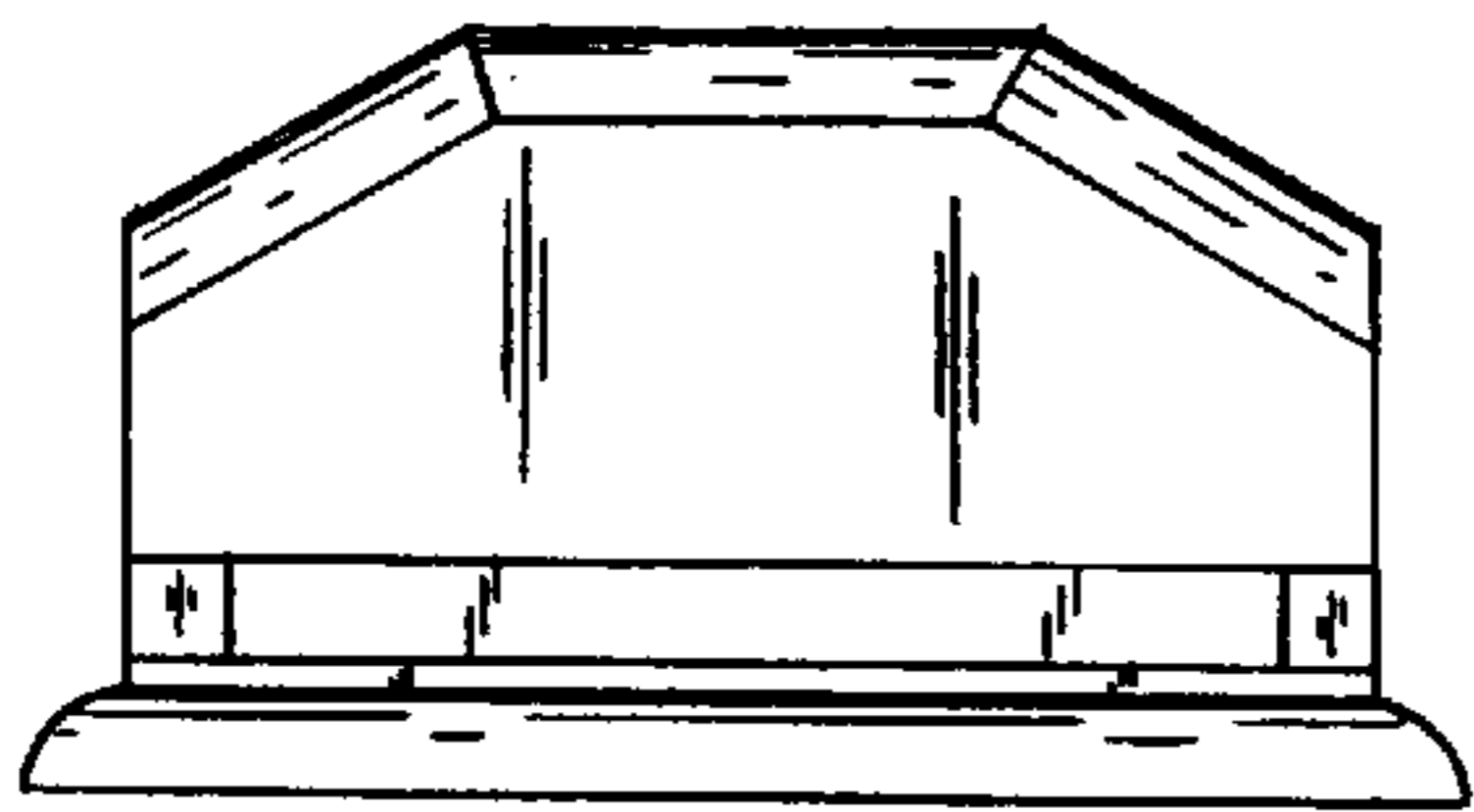


Fig. 8

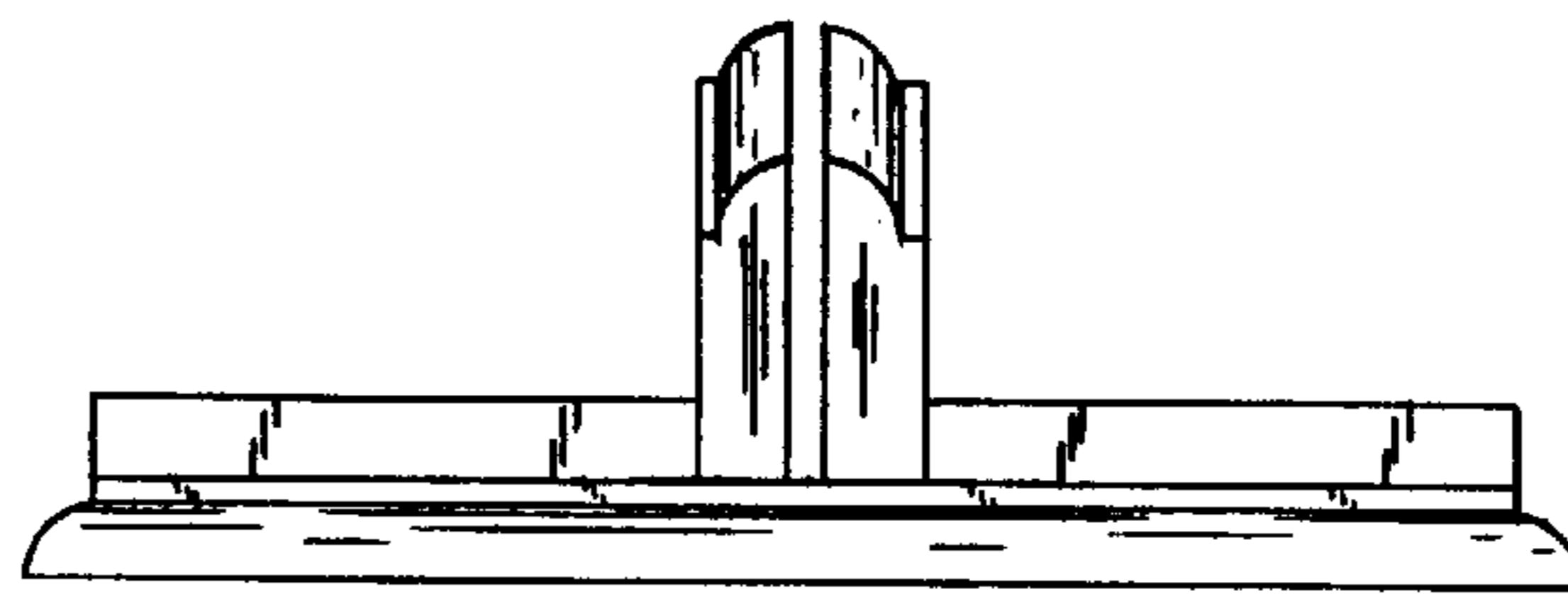


Fig. 7

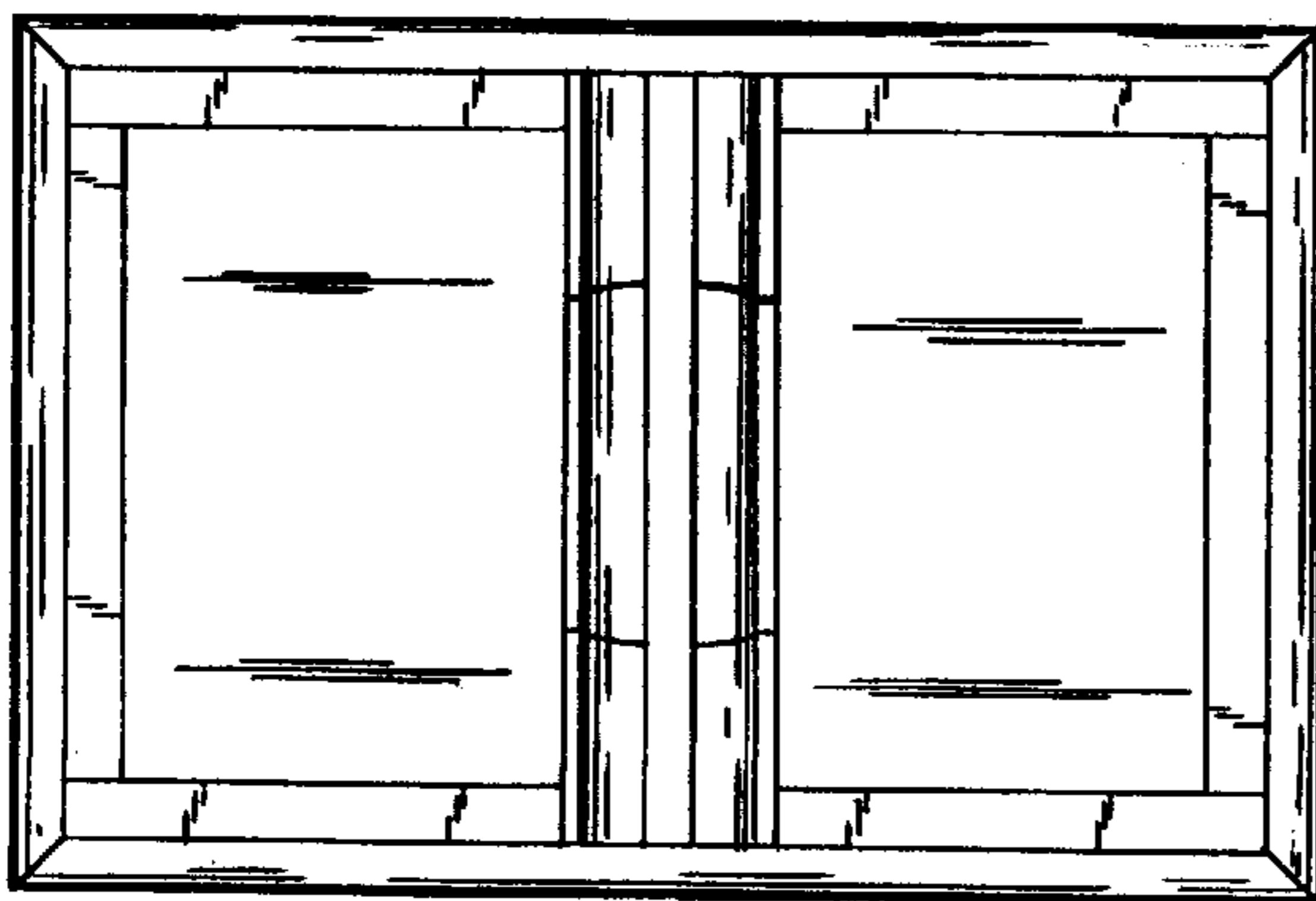


Fig. 9

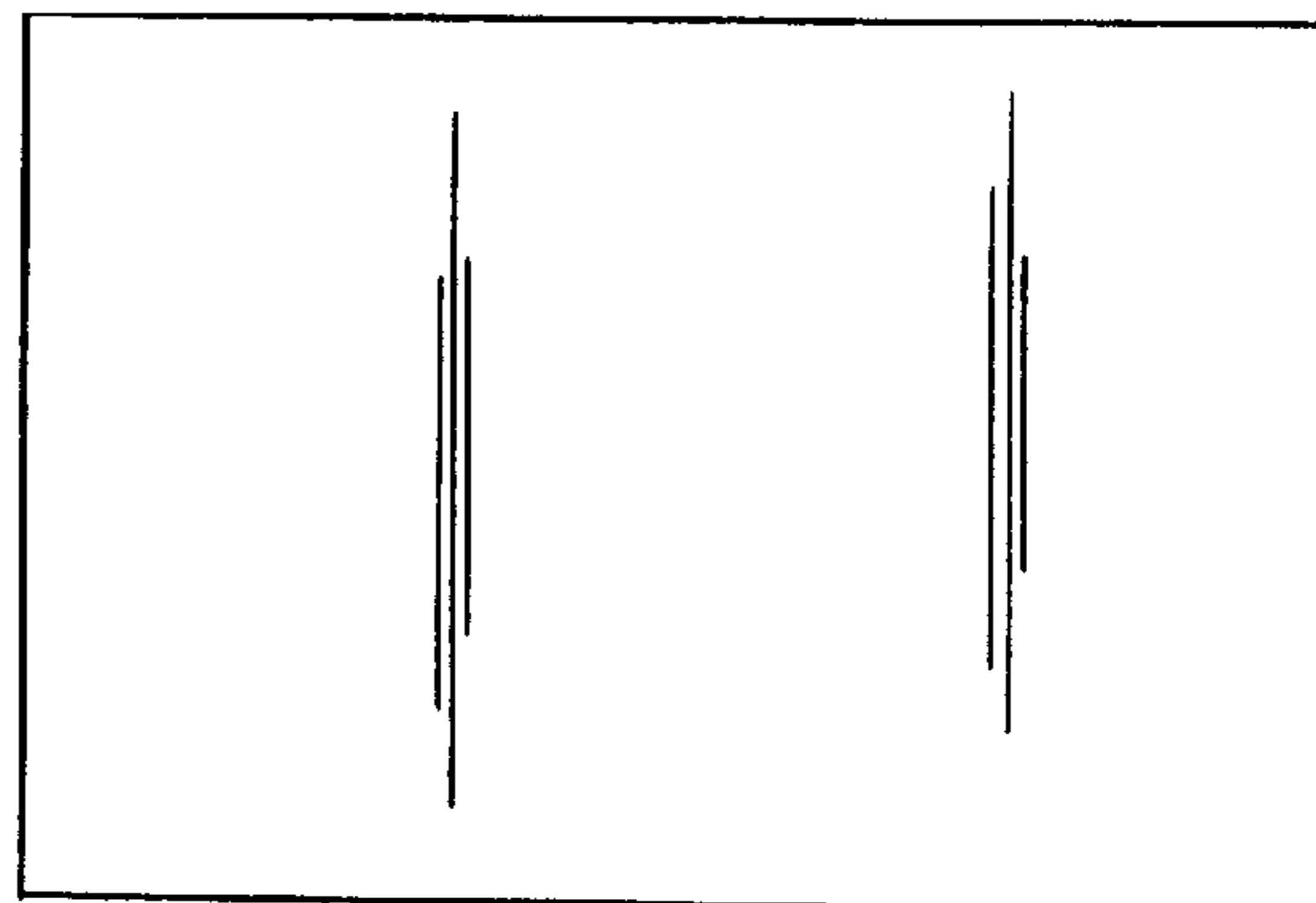


Fig. 10