



US00D395573S

United States Patent [19]

[11] **Patent Number: Des. 395,573**

Leverrier

[45] **Date of Patent: **Jun. 30, 1998**

[54] **CHOPPER**

D. 290,677	7/1987	Stutzer et al.	D7/383 X
D. 311,659	10/1990	Storsberg	D7/384
D. 339,502	9/1993	Kamiyama	D7/383 X
D. 366,595	1/1996	Dobson et al.	D7/384

[75] Inventor: **Bruno Leverrier**, Lassay-les-Chateaux, France

[73] Assignee: **Robert Krups GmbH & Co. KG**, Solingen, Germany

Primary Examiner—Caron D. Veynar
Attorney, Agent, or Firm—Darby & Darby

[**] Term: **14 Years**

[57] CLAIM

[21] Appl. No.: **71,527**

The ornamental design for a chopper, as shown.

[22] Filed: **May 30, 1997**

DESCRIPTION

[30] Foreign Application Priority Data

Dec. 4, 1996 [FR] France 96 6840

[51] **LOC (6) Cl.** **31-00**

[52] **U.S. Cl.** **D7/381; D7/372; D7/384**

[58] **Field of Search** **D7/368-374, 376-384, D7/386; 241/37.5, 92, 93, 282.1, 282.2**

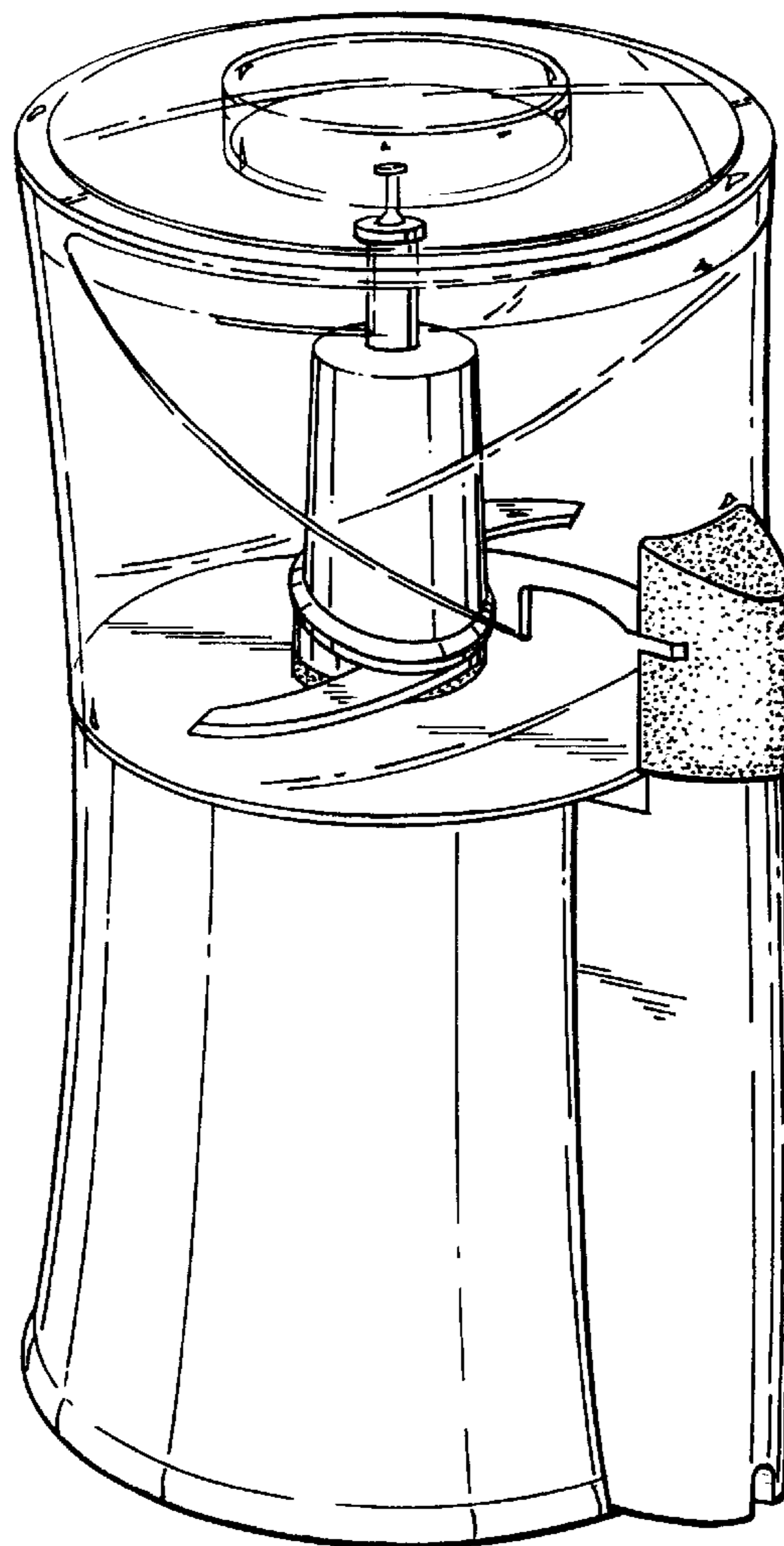
FIG. 1 is a perspective view of said chopper;
 FIG. 2 is a rear view of said chopper;
 FIG. 3 is a front view of said chopper;
 FIG. 4 is a right side view of said chopper;
 FIG. 5 is a left side view of said chopper;
 FIG. 6 is a top view of said chopper; and,
 FIG. 7 is a bottom view of said chopper.

[56] References Cited

U.S. PATENT DOCUMENTS

D. 196,323 9/1963 Allen et al. D7/373

1 Claim, 4 Drawing Sheets



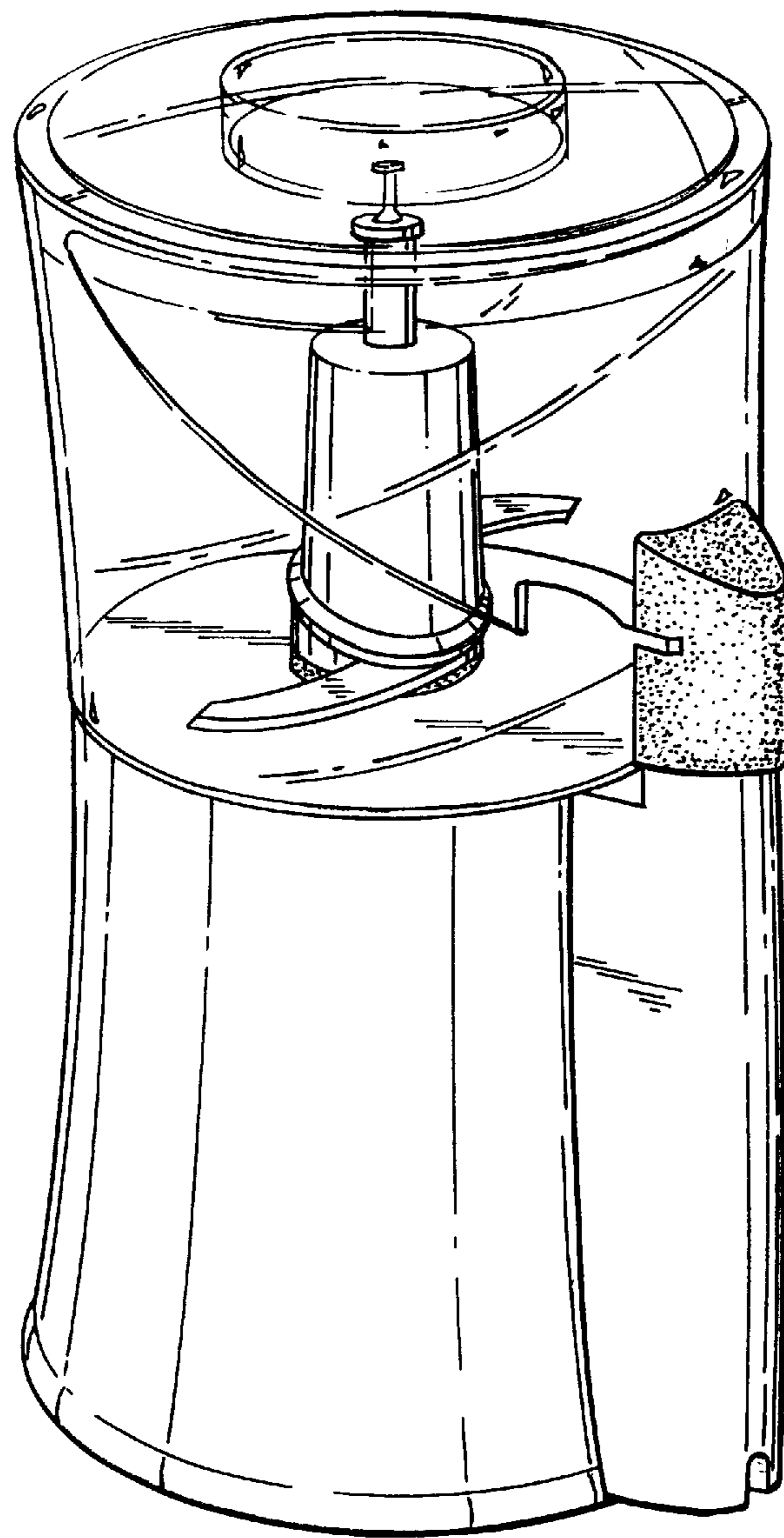


Fig. 1

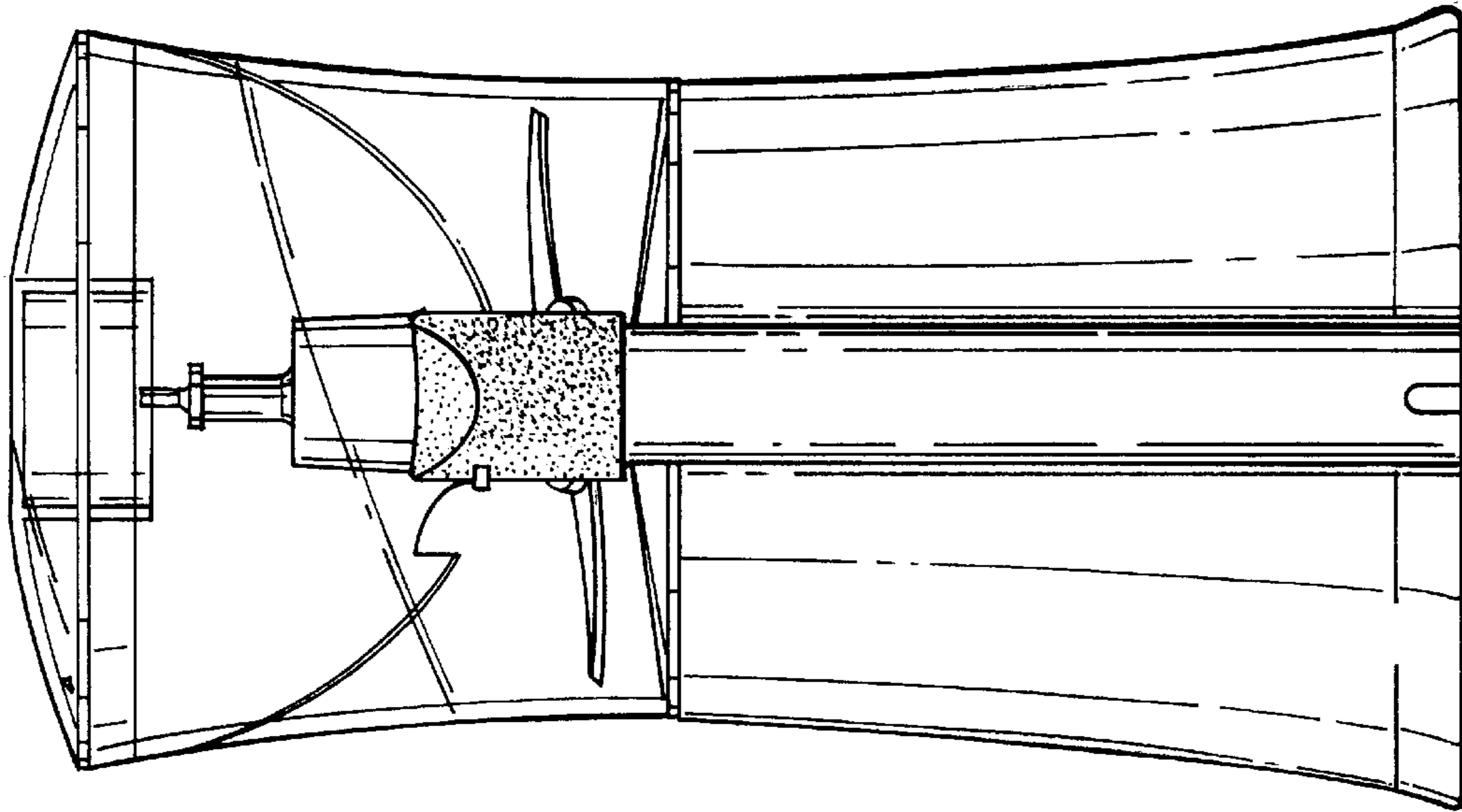


Fig. 3

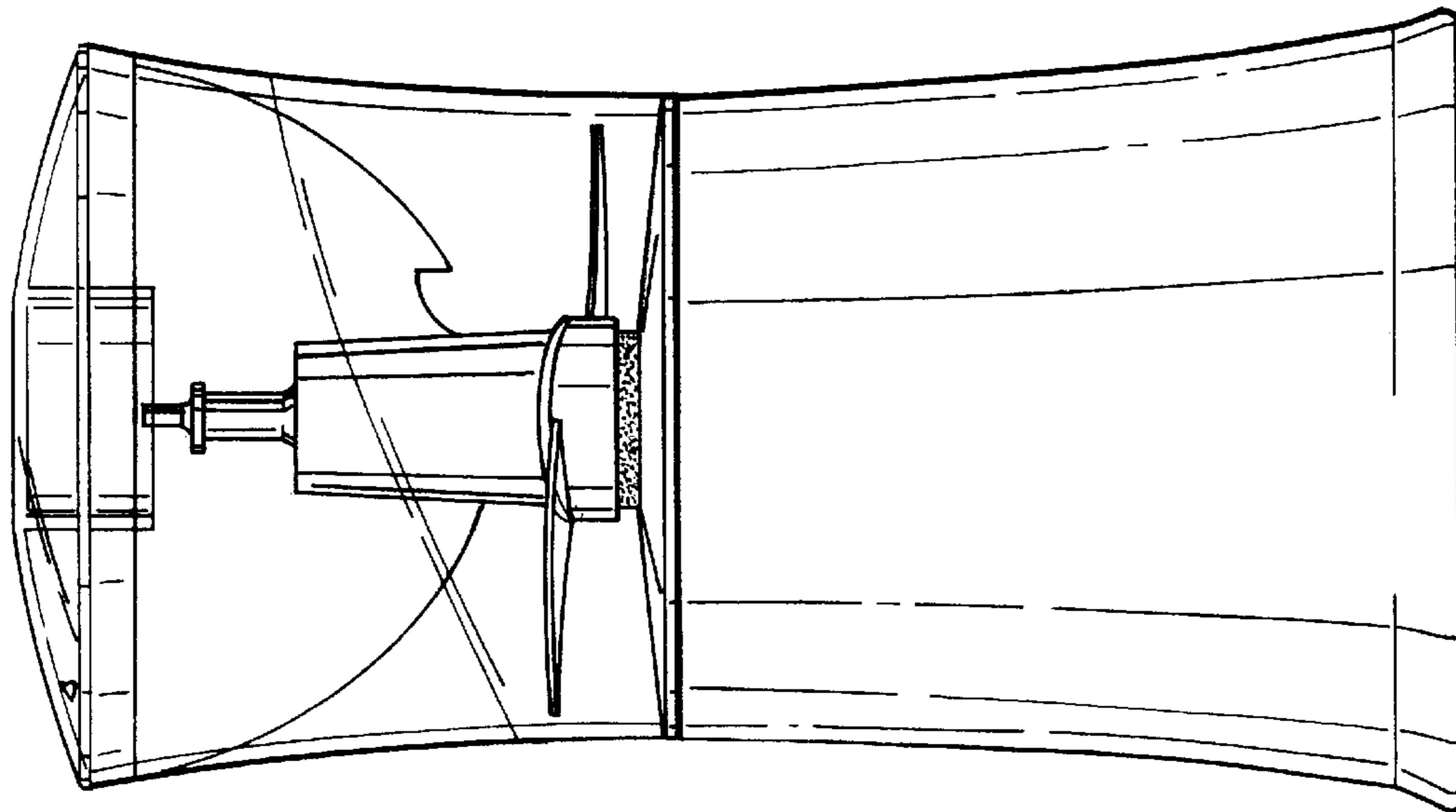


Fig. 2

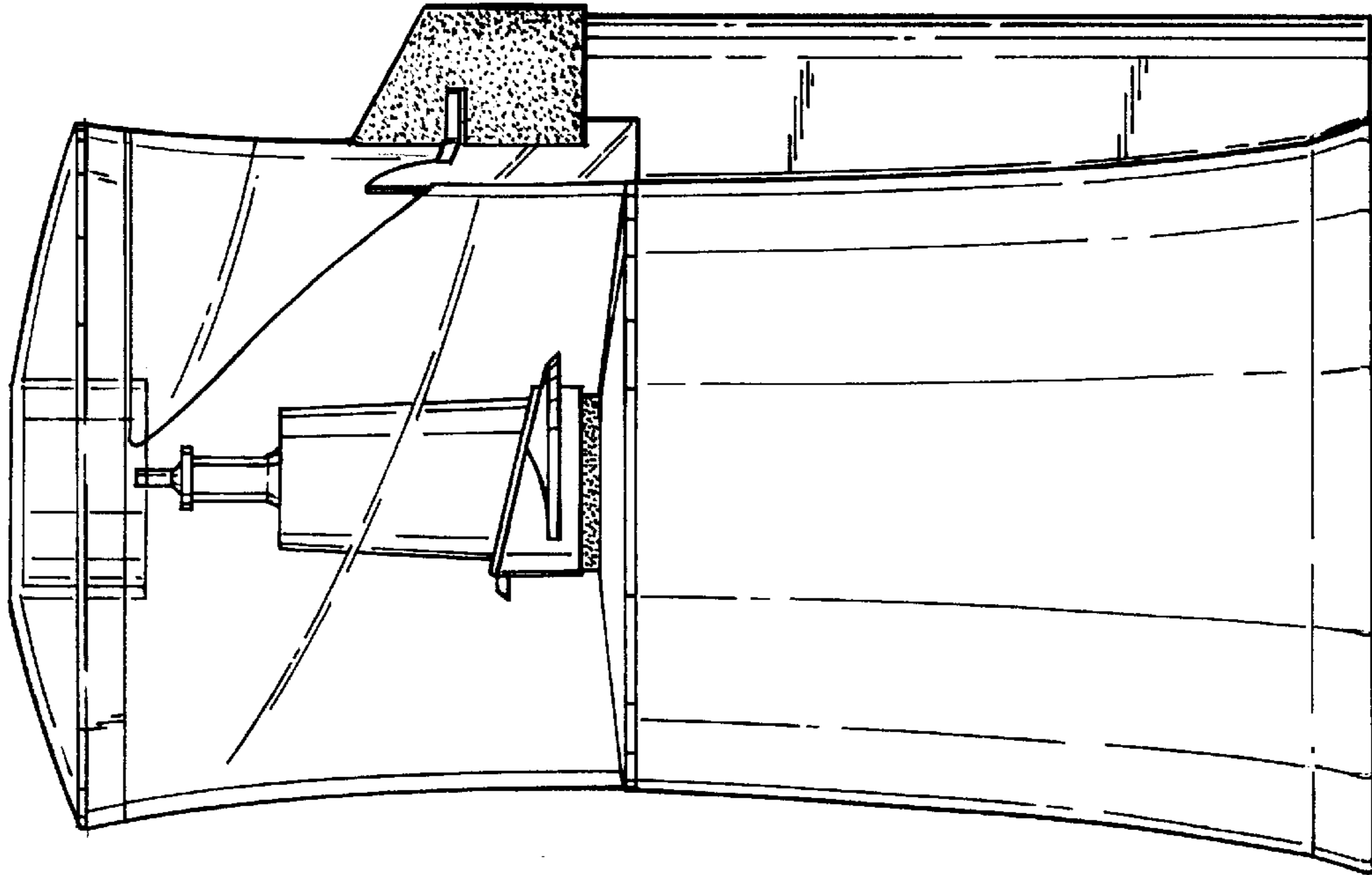


Fig. 5

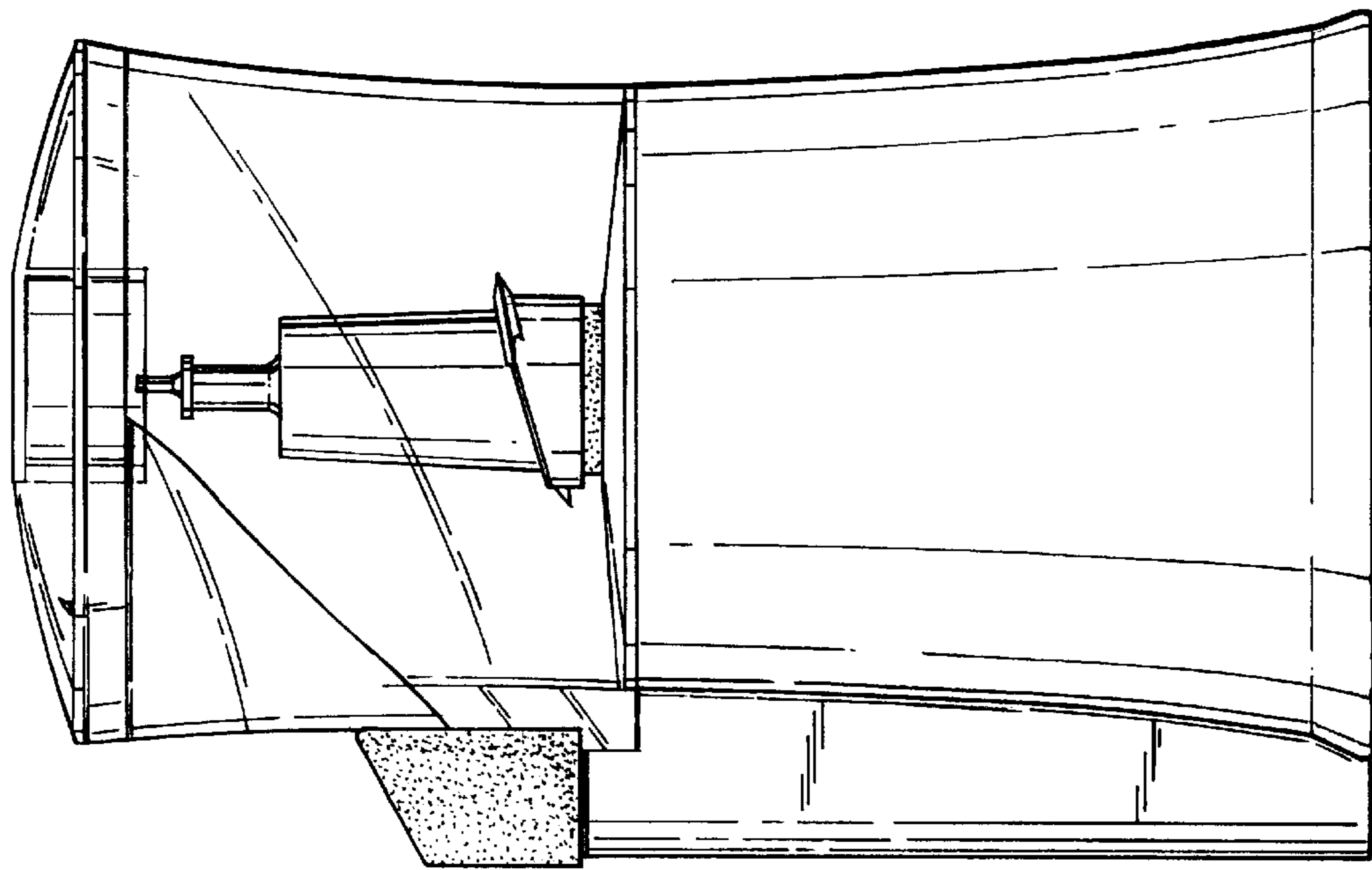


Fig. 4

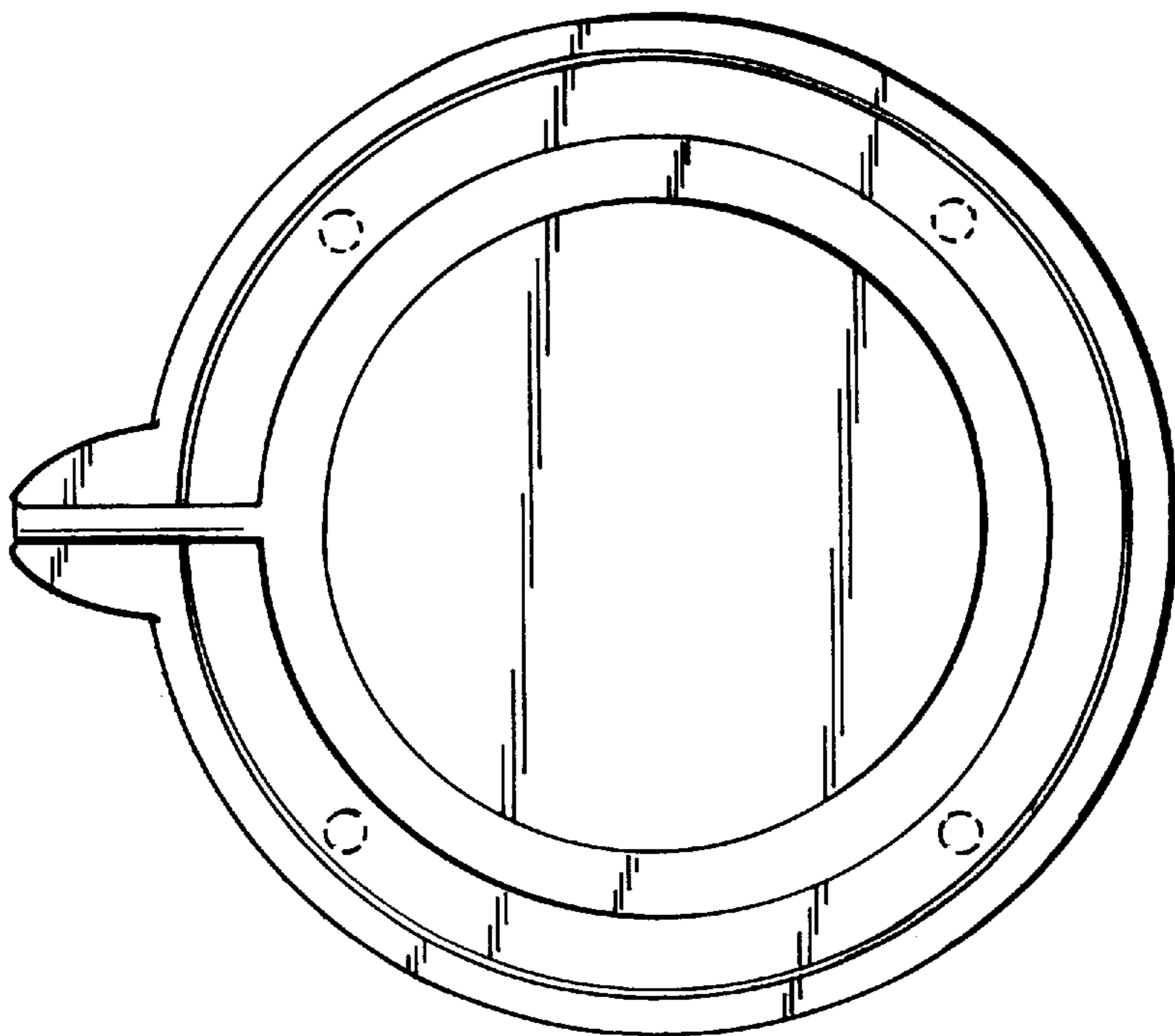


Fig. 7

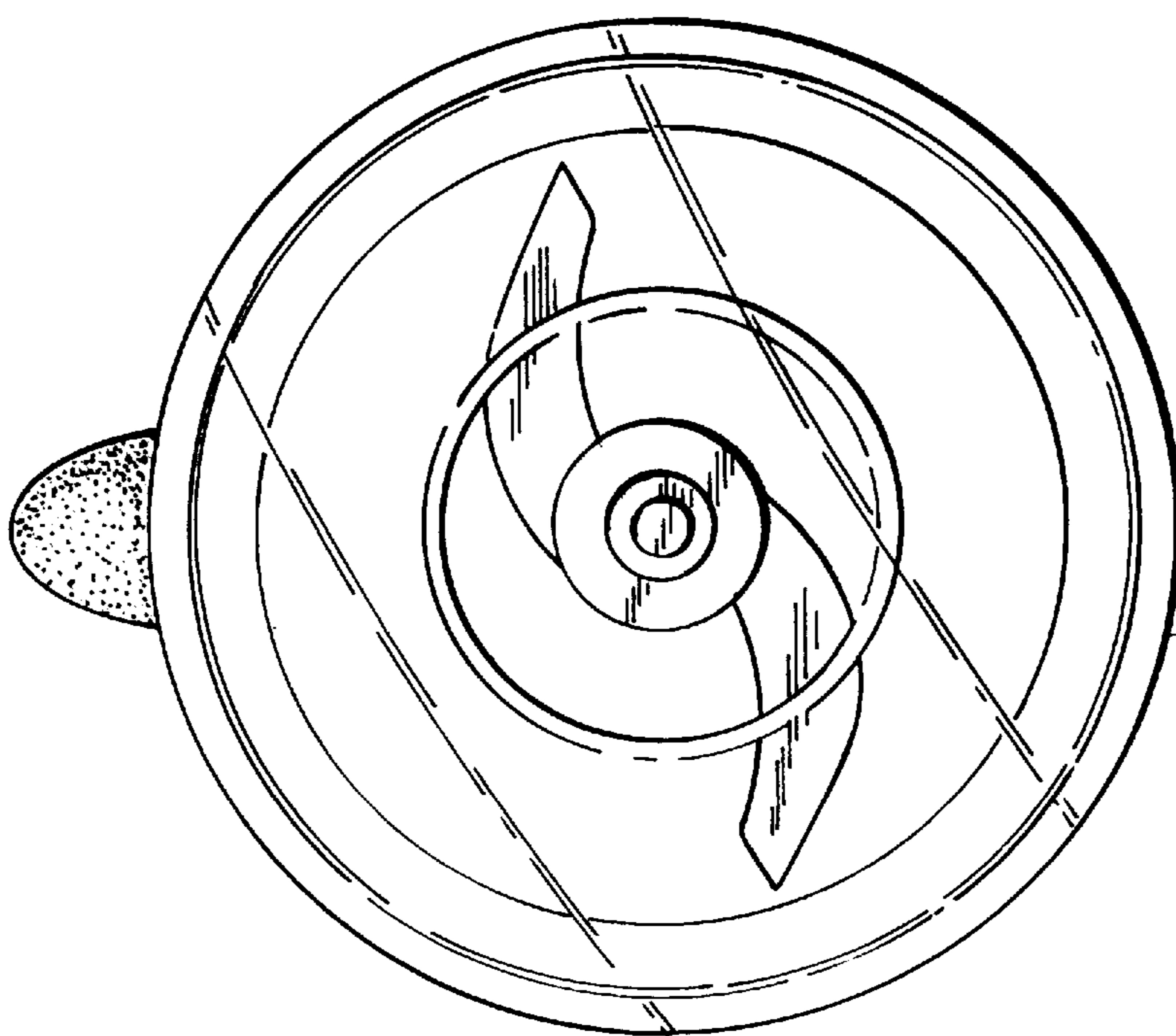


Fig. 6