

US00D395572S

**United States Patent** [19]  
**Carroll et al.**

[11] **Patent Number: Des. 395,572**  
[45] **Date of Patent: \*\*Jun. 30, 1998**

[54] **STAND MIXER**  
[75] **Inventors: Maureen Carroll, Atlanta; Kirk Charles, Austell; Javier Verdura, Marietta, all of Ga.**  
[73] **Assignee: Sunbeam Products, Inc., Delray Beach, Fla.**  
[\*\*] **Term: 14 Years**  
[21] **Appl. No.: 70,045**  
[22] **Filed: Apr. 25, 1997**  
[51] **LOC (6) Cl. .... 31-00**  
[52] **U.S. Cl. .... D7/379**  
[58] **Field of Search .... D7/376-386; 366/197, 366/199, 206, 213, 601; 362/89**

2,623,962 12/1952 Holstein ..... 200/80 R  
2,648,514 8/1953 Rosier et al. .... 248/131  
2,663,552 12/1953 Schwaneke ..... 366/344  
2,671,192 3/1954 Fleming ..... 388/800  
2,692,126 10/1954 Schwaneke ..... 366/129  
2,703,381 3/1955 Jepson ..... 388/800  
2,719,702 10/1955 Brace ..... 366/197  
2,761,983 9/1956 Koch ..... 310/40 R  
2,773,679 12/1956 Miller ..... 366/344  
2,789,798 4/1957 Brace ..... D7/379 X  
2,815,939 12/1957 Kibbe ..... 366/344  
2,857,533 10/1958 Miller ..... 173/176  
3,077,340 2/1963 Jepson et al. .... 366/344  
3,097,318 7/1963 Jepson ..... 310/68 R  
3,121,178 2/1964 Seyfried et al. .... 310/50  
3,186,020 6/1965 Redfield ..... D7/379 X  
3,187,366 6/1965 Fant ..... D7/379 X  
3,198,490 8/1965 Jepson et al. .... 366/344  
3,218,043 11/1965 Ronk ..... 416/65

(List continued on next page.)

[56] **References Cited**  
**U.S. PATENT DOCUMENTS**

D. 120,342 5/1940 Geiger et al. .... D7/379  
D. 120,358 5/1940 Scharfenberg ..... D7/379  
D. 167,149 7/1952 Jepson ..... D7/379  
D. 182,885 5/1958 Ernest ..... D7/379  
D. 194,473 1/1963 Reed ..... D7/379  
D. 195,425 6/1963 Reed ..... D7/379  
D. 208,805 10/1967 De Fano et al. .... D7/379  
D. 210,682 4/1968 De Fano et al. .... D7/379  
D. 255,760 7/1980 Ernest et al. .... D7/379  
2,070,768 2/1937 Wright ..... 99/495  
2,165,858 7/1939 Jepson ..... 310/68 E  
2,179,745 11/1939 Kochner ..... 99/501  
2,208,955 7/1940 Wolff ..... D7/379 X  
2,247,708 7/1941 Jordan ..... 310/83  
2,269,853 1/1942 Knapp ..... 99/501  
2,274,480 2/1942 Jepson ..... 388/800  
2,275,901 3/1942 Harwood ..... 219/201  
2,292,567 8/1942 Jordan ..... 388/800  
2,469,932 5/1949 Ritter ..... 310/75 R  
2,488,364 11/1949 Zilliotto ..... 388/800  
2,499,928 3/1950 Misic ..... 310/50  
2,506,312 5/1950 Morse ..... 388/800  
2,525,338 10/1950 Brown et al. .... 416/122  
2,530,302 11/1950 Jepson ..... 310/50  
2,557,765 6/1951 Robertson ..... 388/800  
2,605,085 7/1952 Gerry ..... 366/344

*Primary Examiner*—Caron D. Veynar  
*Attorney, Agent, or Firm*—Michael J. Kline, Esq.

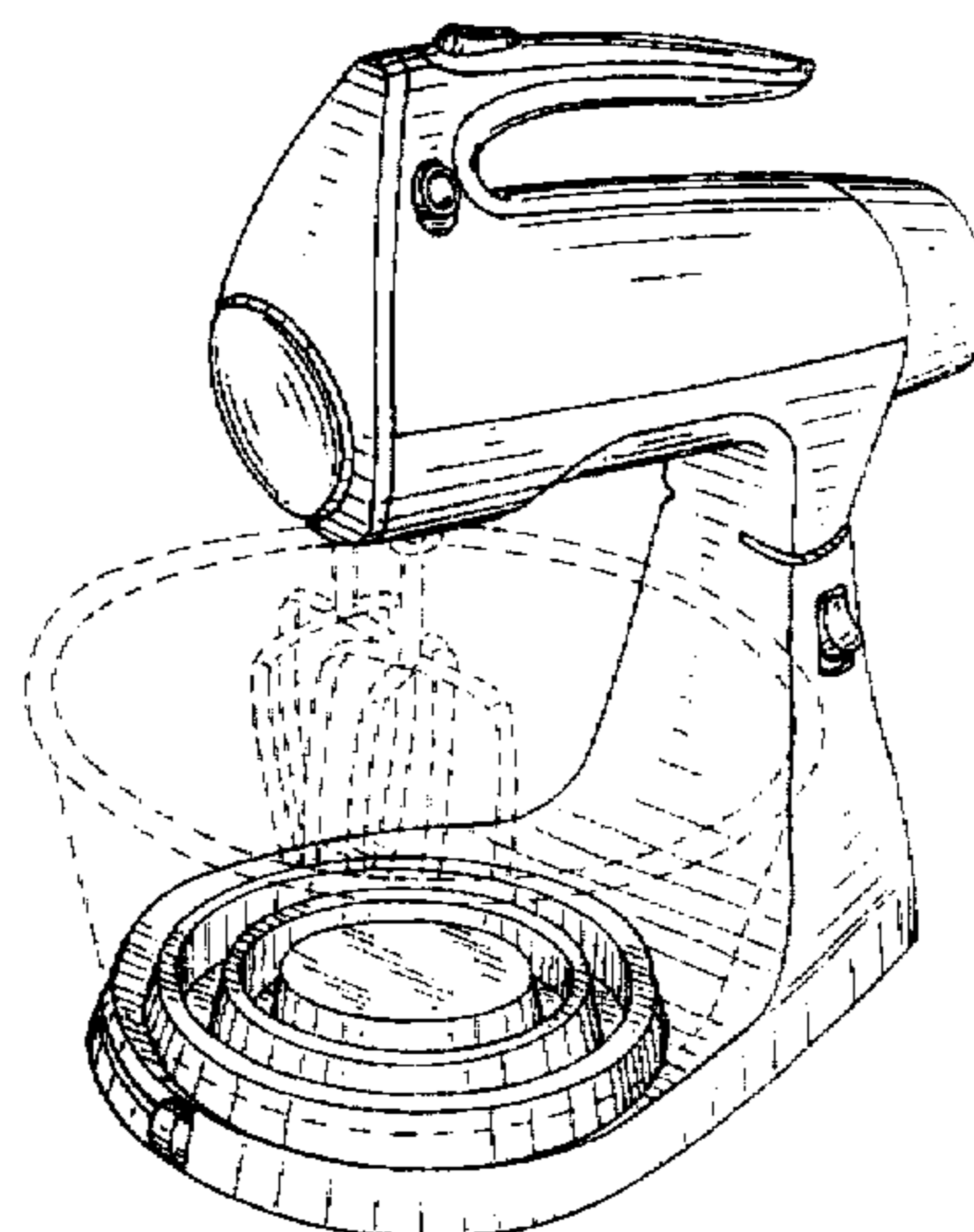
[57] **CLAIM**

The ornamental design for a stand mixer, as shown and described.

**DESCRIPTION**

FIG. 1 is a perspective view of a stand mixer showing our new design;  
FIG. 2 is a front elevational view of the stand mixer of FIG. 1;  
FIG. 3 is a rear elevational view of the stand mixer of FIG. 1;  
FIG. 4 is a left side elevational view of the stand mixer of FIG. 1;  
FIG. 5 is a right side elevational view of the stand mixer of FIG. 1;  
FIG. 6 is a top plan view of the stand mixer of FIG. 1; and  
FIG. 7 is a bottom plan view of the stand mixer of FIG. 1. The broken line showing of a mixing bowl and mixing blades in FIG. 1 are for illustrative purposes only and forms no part of the claimed design.

**1 Claim, 7 Drawing Sheets**



# Des. 395,572

Page 2

---

U.S. PATENT DOCUMENTS							
3,224,826	12/1965	Kemnitz .....	99/485	3,333,824	8/1967	Jepson et al. ....	366/344
3,275,051	9/1966	Jepson et al. ....	99/502	3,904,178	9/1975	Scott et al. ....	D7/379 X
3,280,351	10/1966	Wolter et al. ....	310/68 R	3,914,673	10/1975	Wallin .....	388/800
3,299,924	1/1967	Hanschitz .....	241/282.2	4,277,181	7/1981	Stahly et al. ....	366/69
3,312,433	4/1967	Peterson .....	D7/379 X	4,568,193	2/1986	Contri et al. ....	D7/379 X
				4,702,608	10/1987	Garbar et al. ....	366/146

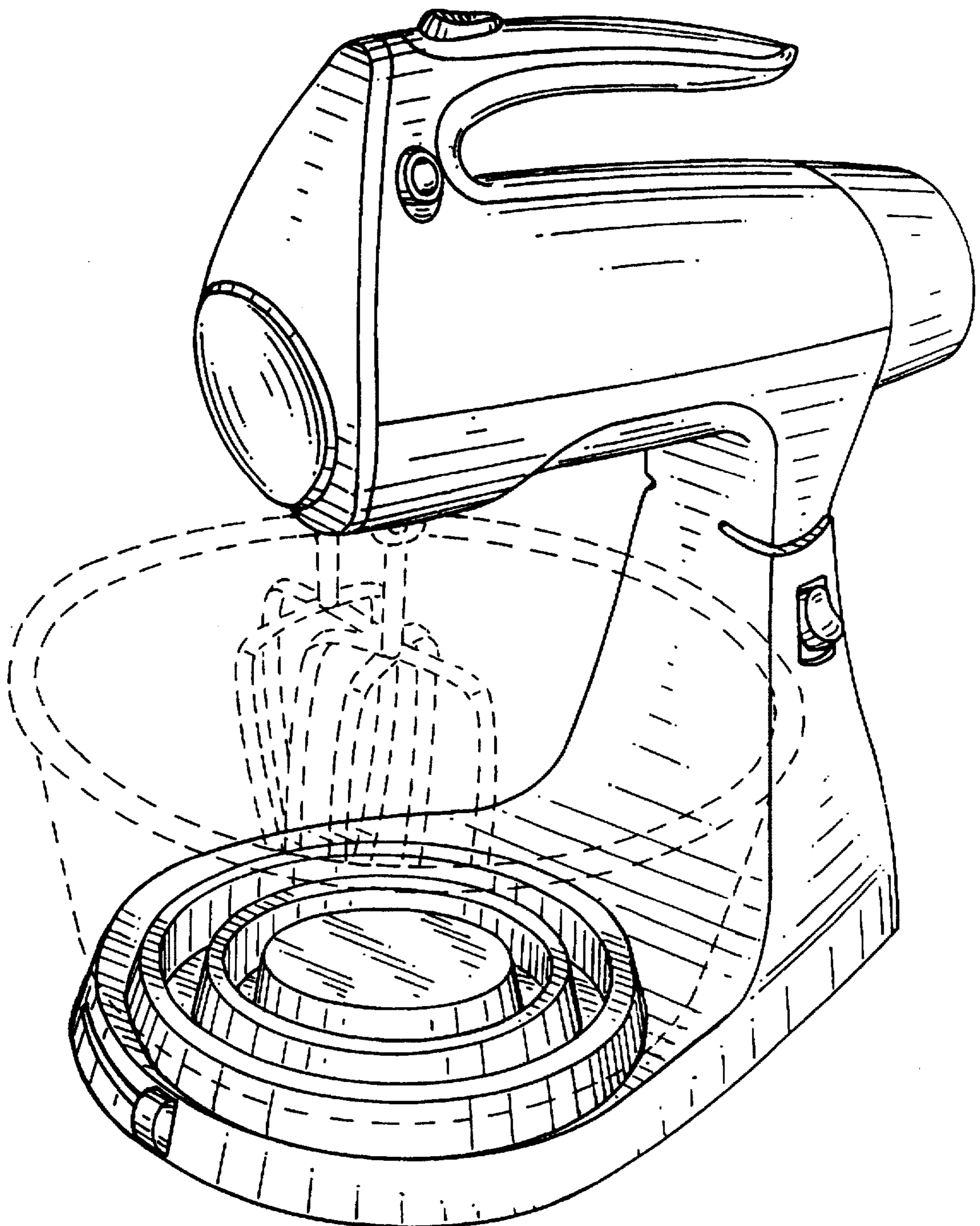


FIG. 1

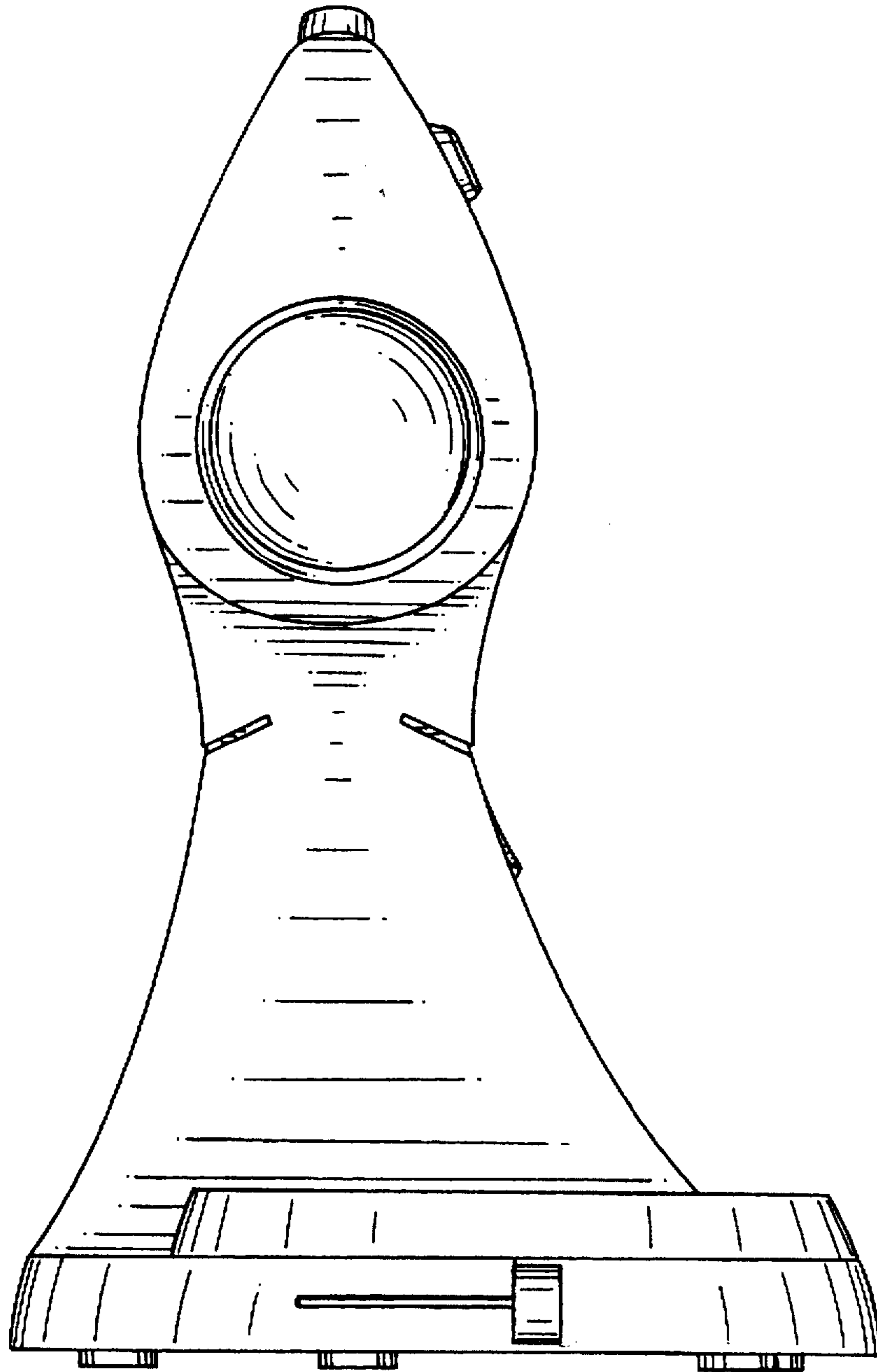


FIG. 2

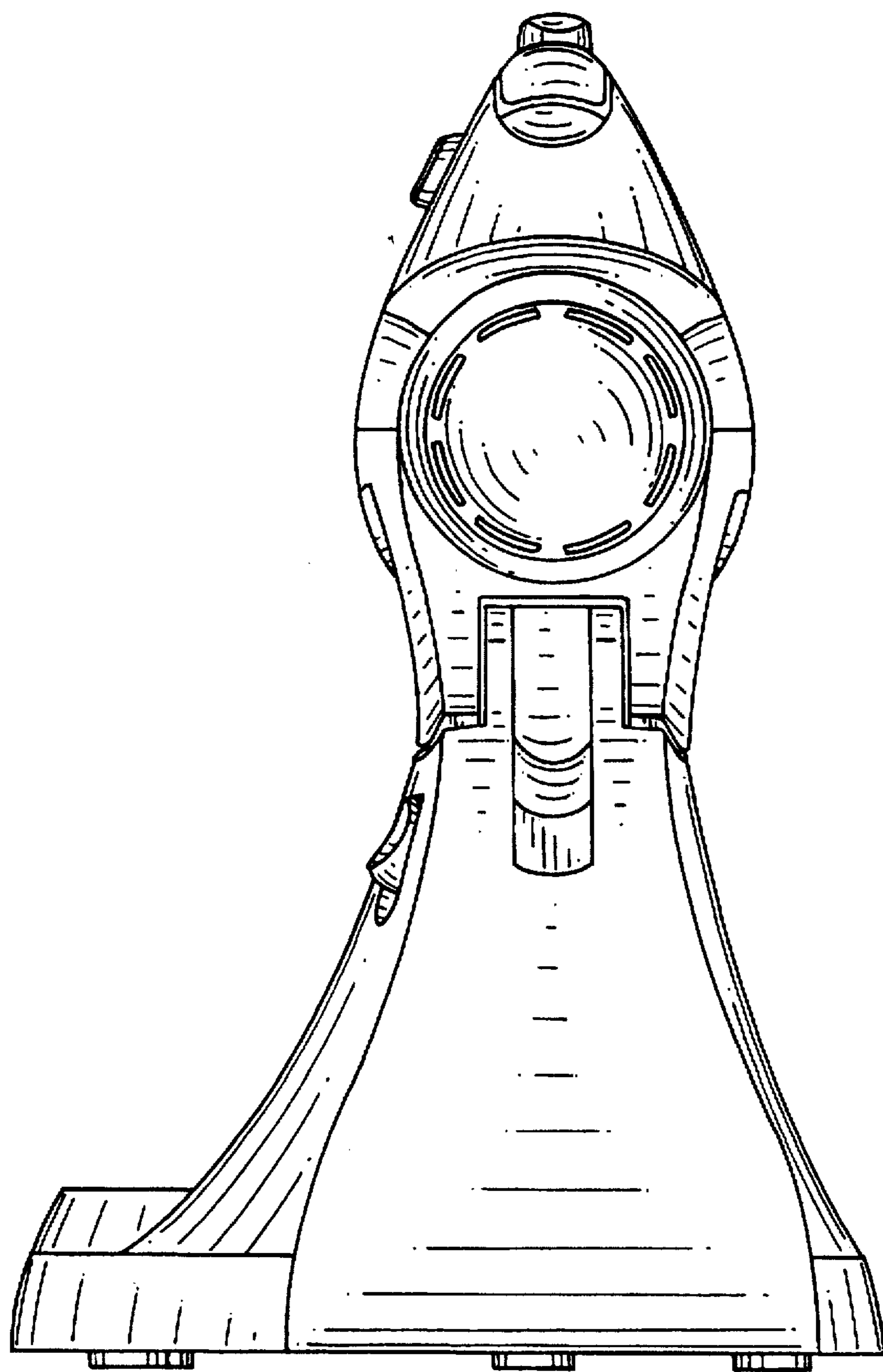


FIG. 3

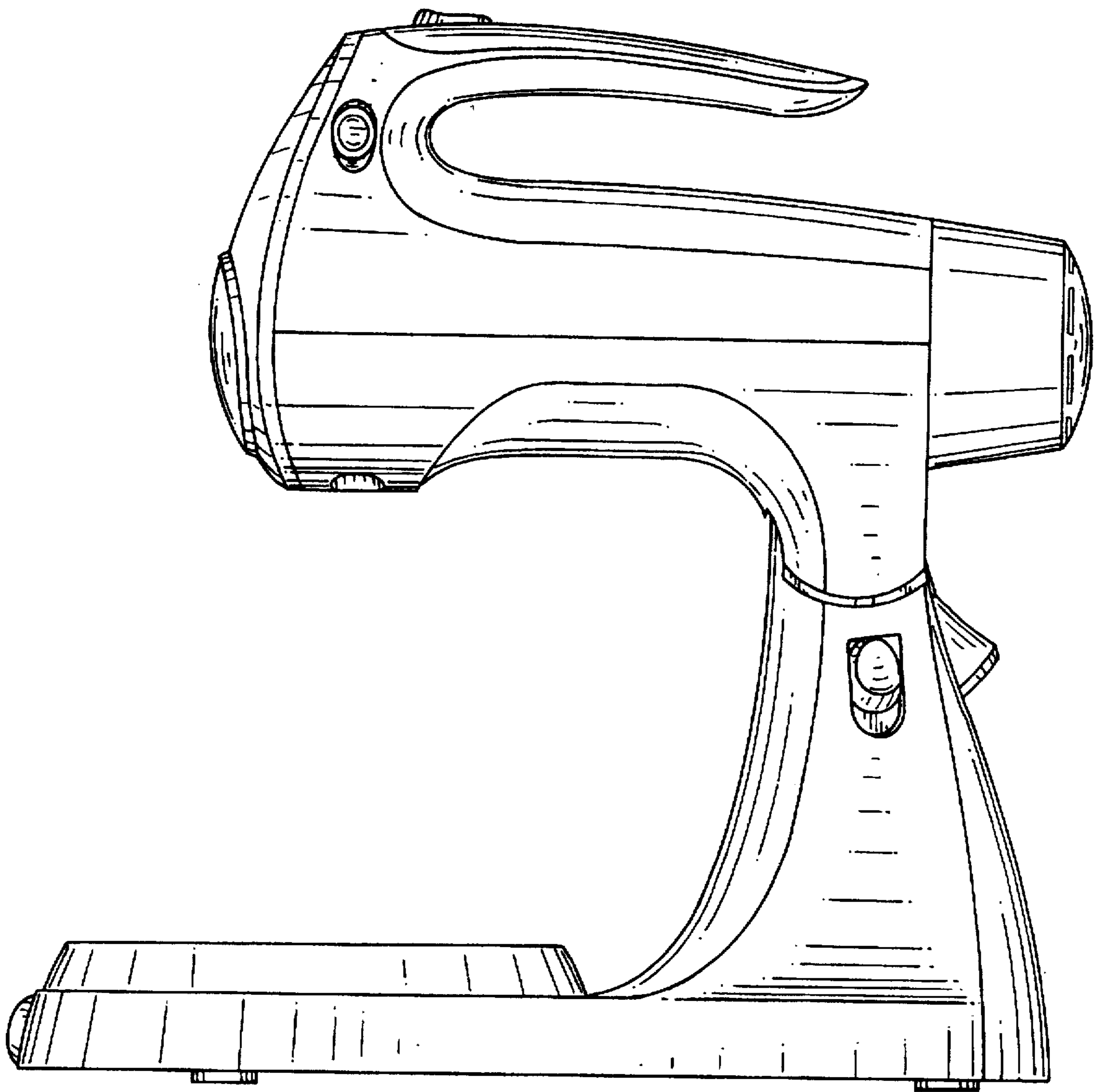


FIG. 4

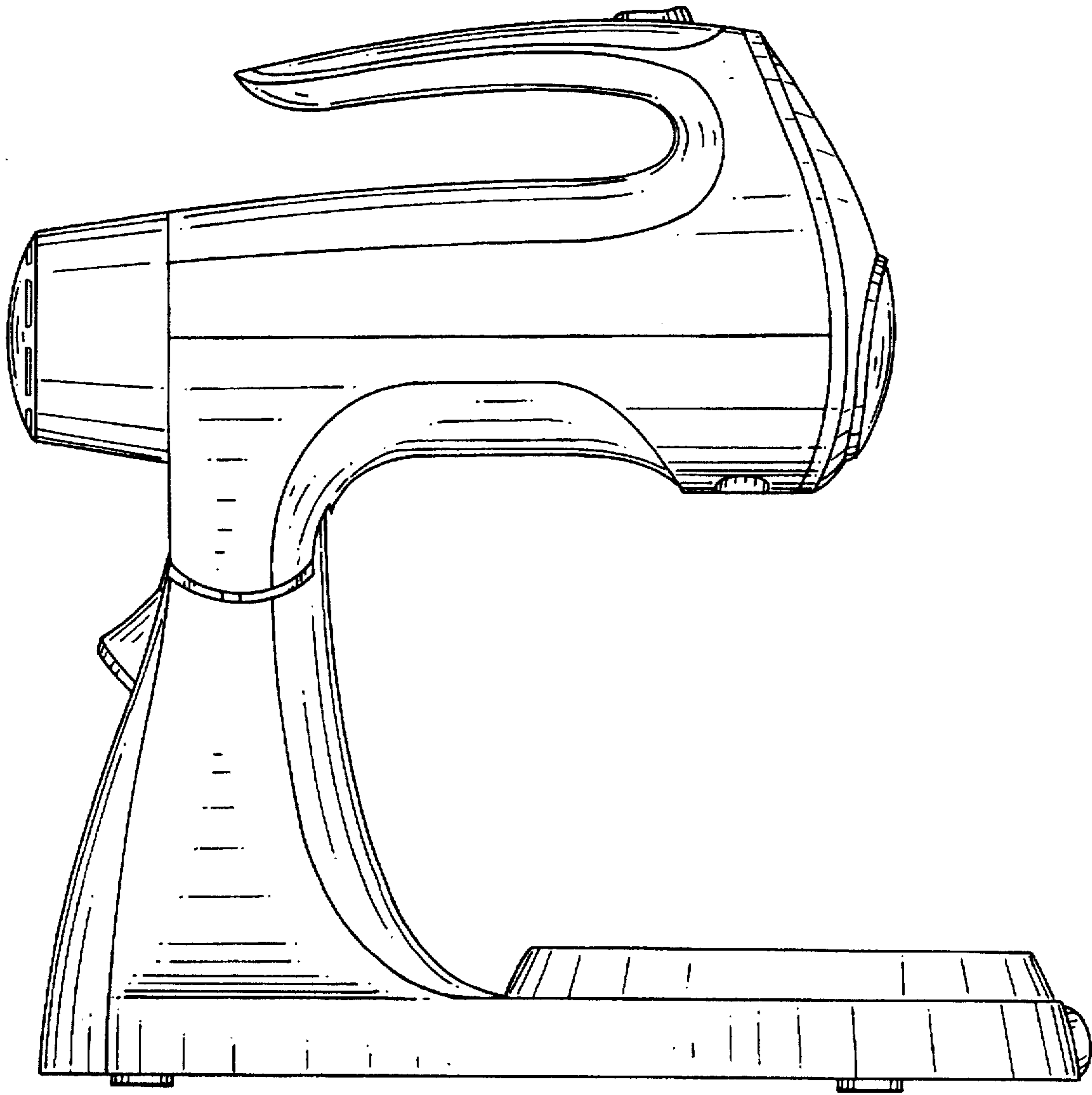


FIG. 5

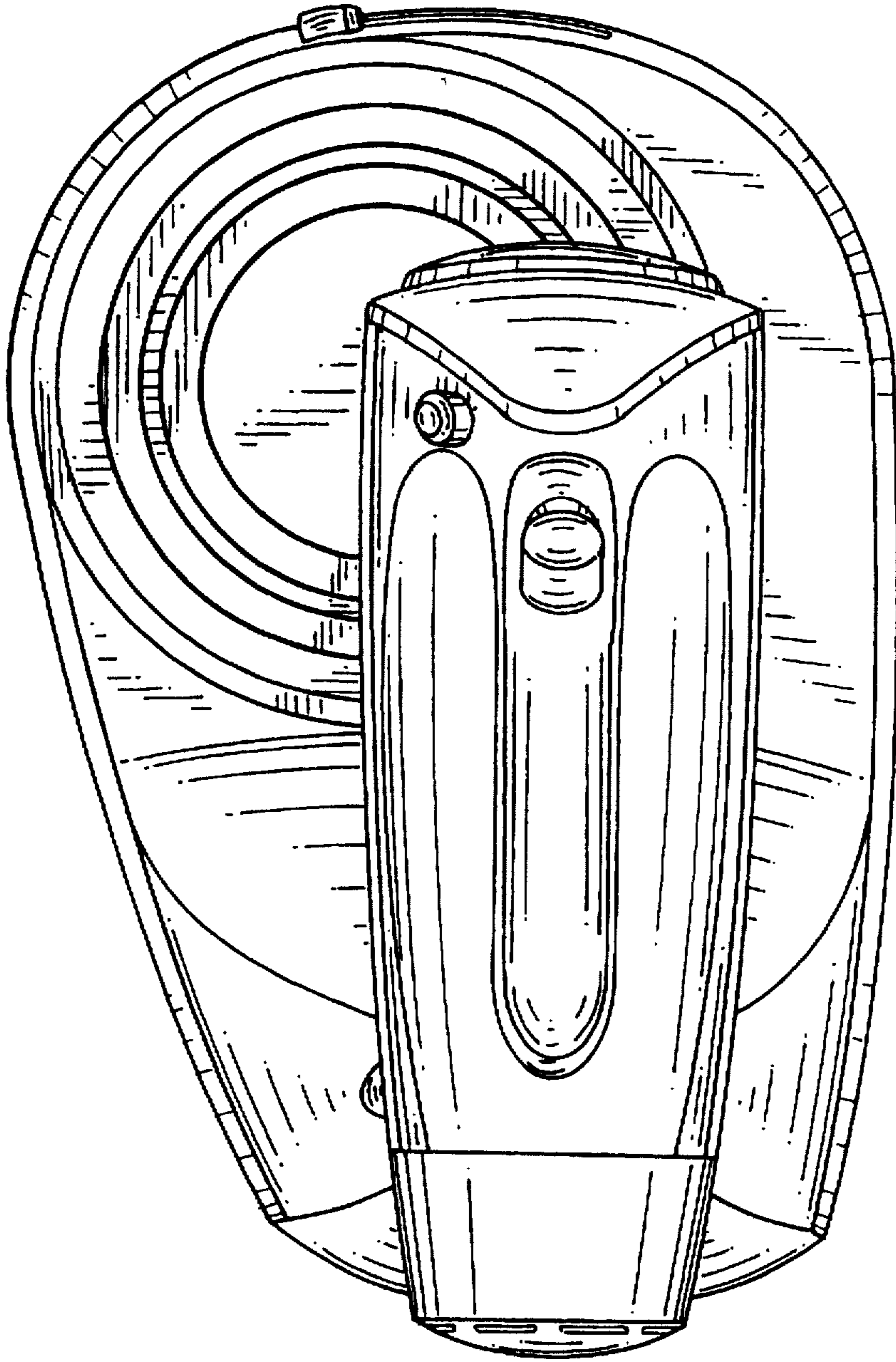


FIG. 6



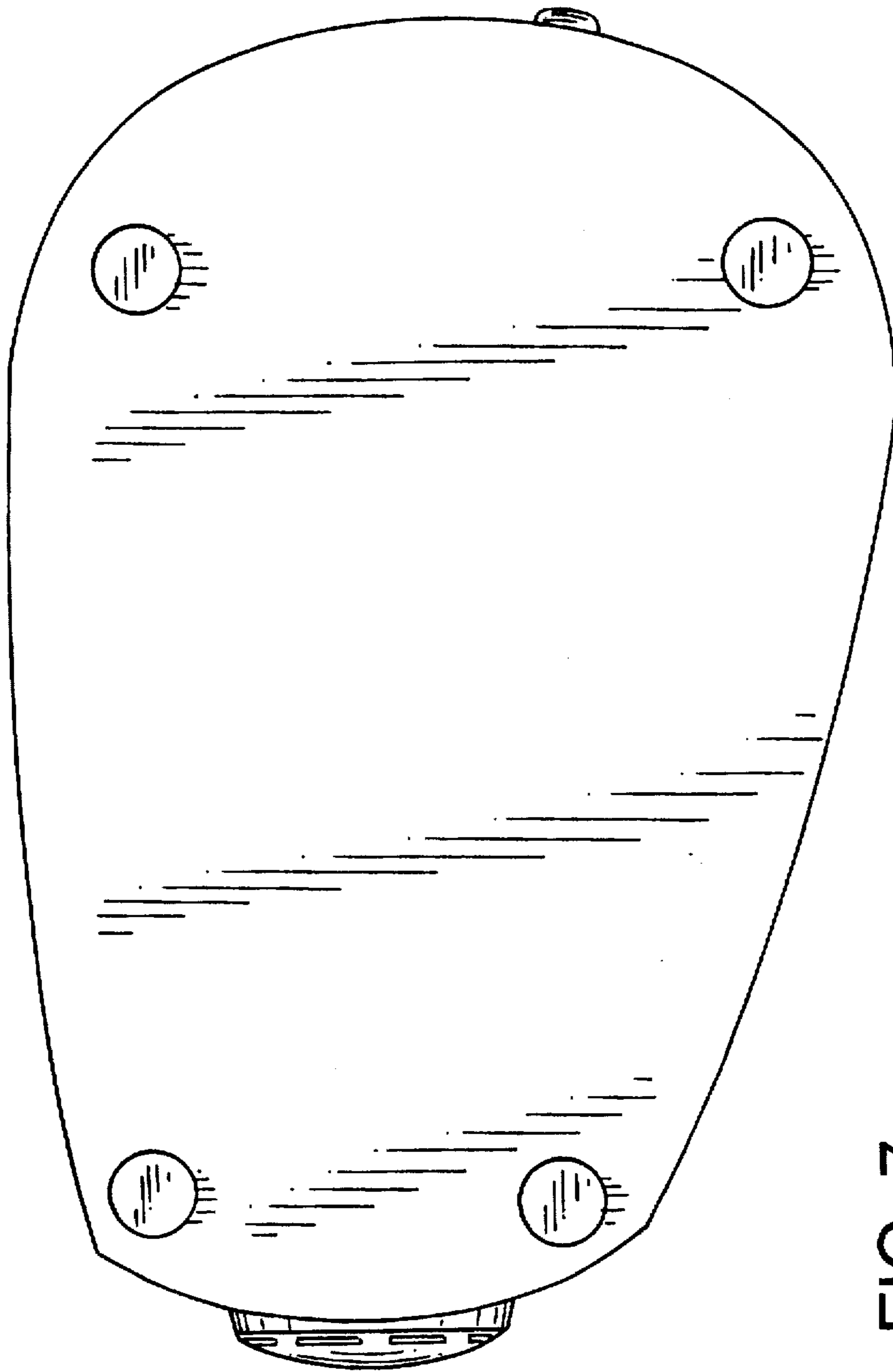


FIG. 7