



US00D395568S

United States Patent [19]

Davis

[11] **Patent Number: Des. 395,568**

[45] **Date of Patent: **Jun. 30, 1998**

[54] **PILLOW**

D. 377,729 2/1997 Bonaddio et al. D6/601
3,829,917 8/1974 De Laittre 5/636

[75] Inventor: **Edmund Scott Davis**, Fort Lauderdale, Fla.

Primary Examiner—Janice E. Seeger
Attorney, Agent, or Firm—Bell Seltzer Intellectual Property Law of Alston & Bird, LLP

[73] Assignee: **Banyan Licensing, LLC**, Ft. Lauderdale, Fla.

[57] **CLAIM**

[**] Term: **14 Years**

The ornamental design for a pillow, as shown and described.

[21] Appl. No.: **75,657**

DESCRIPTION

[22] Filed: **Sep. 3, 1997**

[51] **LOC (6) Cl.** **06-09**

[52] **U.S. Cl.** **D6/601**

[58] **Field of Search** D6/595, 596, 601,
D6/604; 5/630, 632, 633, 636, 637, 652,
653, 654, 656, 907

FIG. 1 is a perspective view of a pillow, showing my new design;

FIG. 2 is a front elevational view;

FIG. 3 is a right side elevational view;

FIG. 4 is a left side elevational view;

FIG. 5 is a top plan view;

FIG. 6 is a bottom plan view; and,

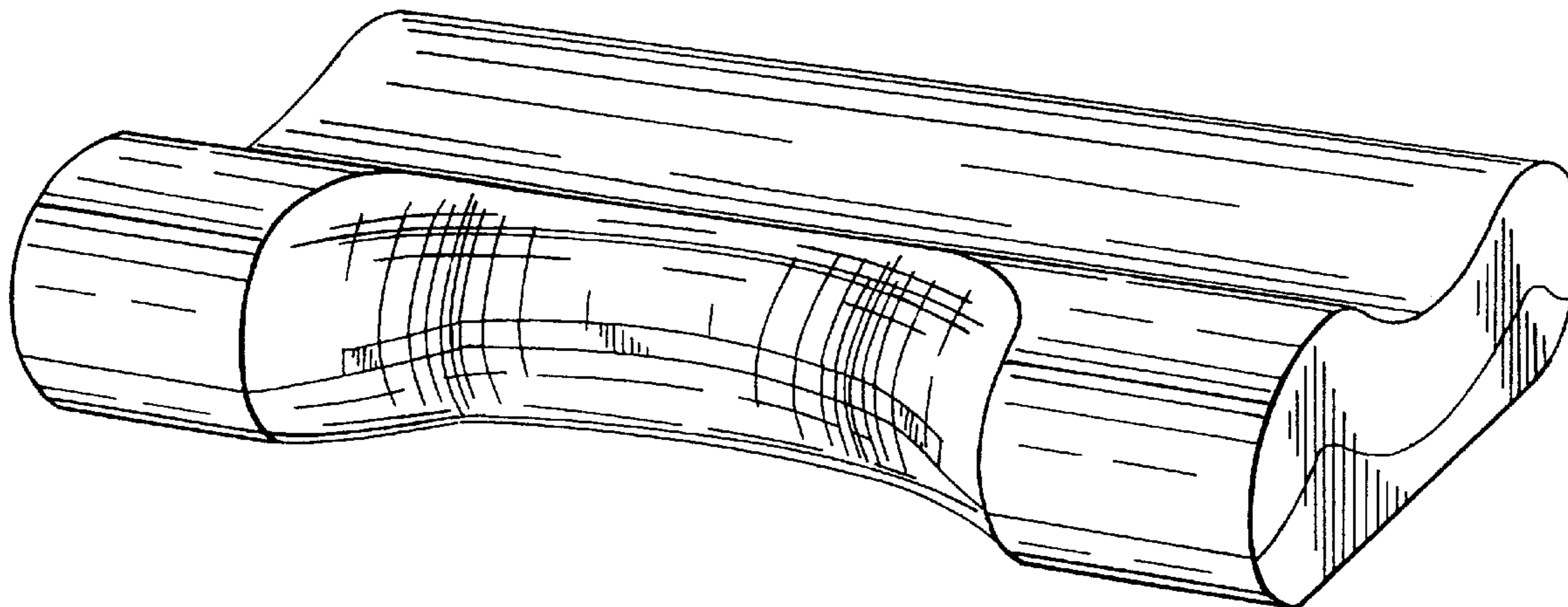
FIG. 7 is a rear elevational view thereof.

[56] **References Cited**

U.S. PATENT DOCUMENTS

D. 374,146 10/1996 Bonaddio et al. D6/601

1 Claim, 2 Drawing Sheets



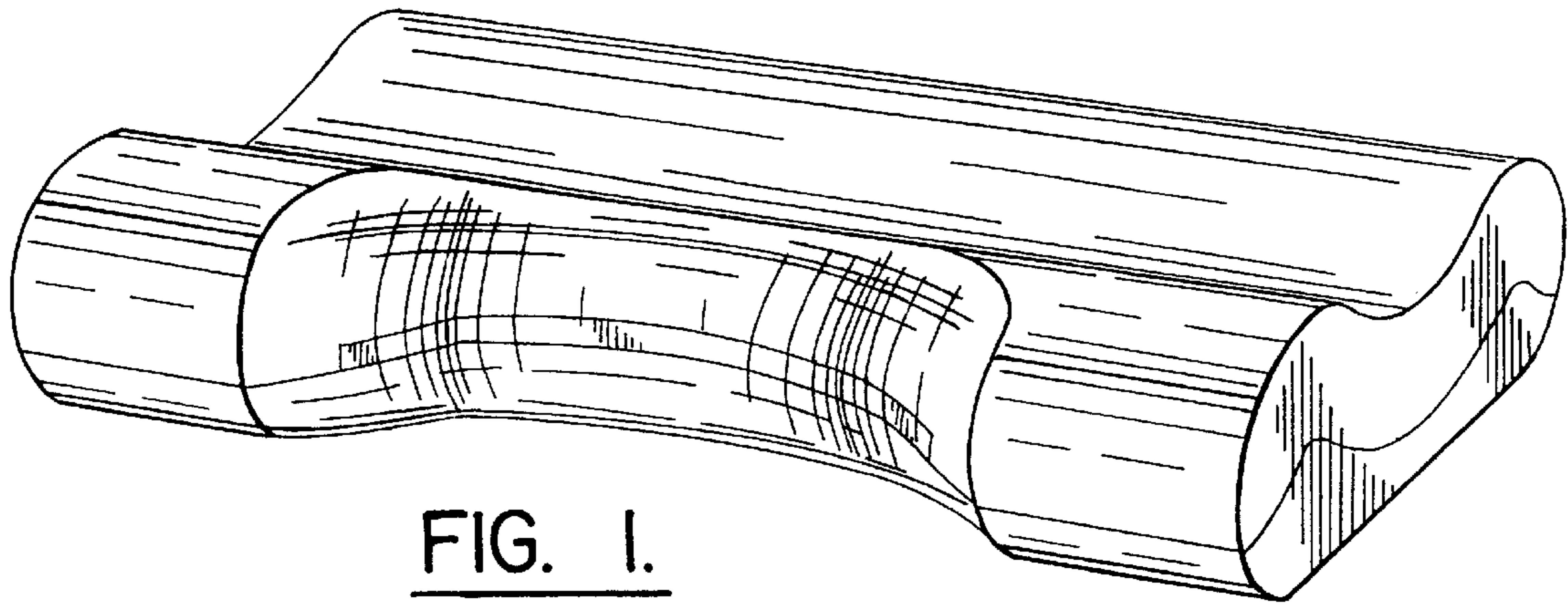


FIG. 1.

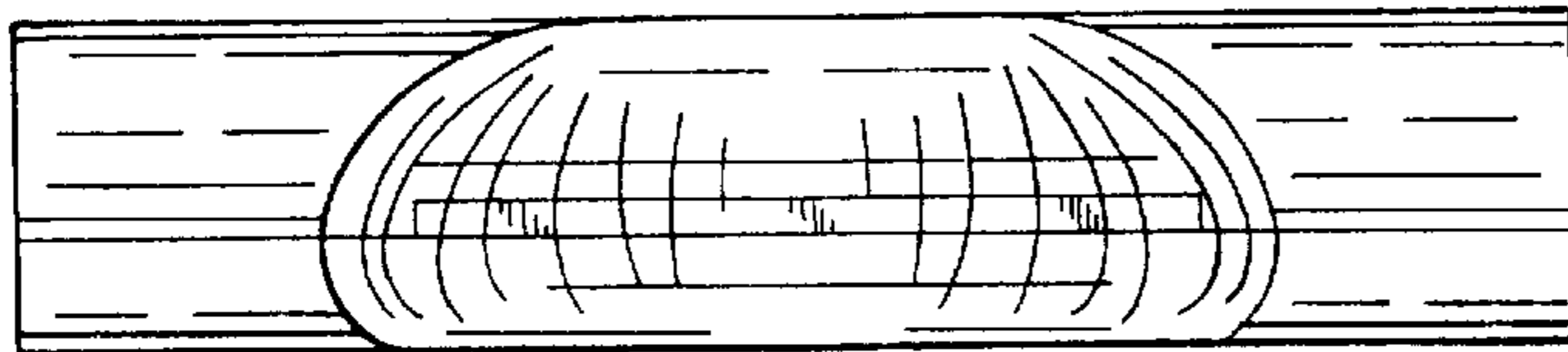


FIG. 2.

FIG. 3.

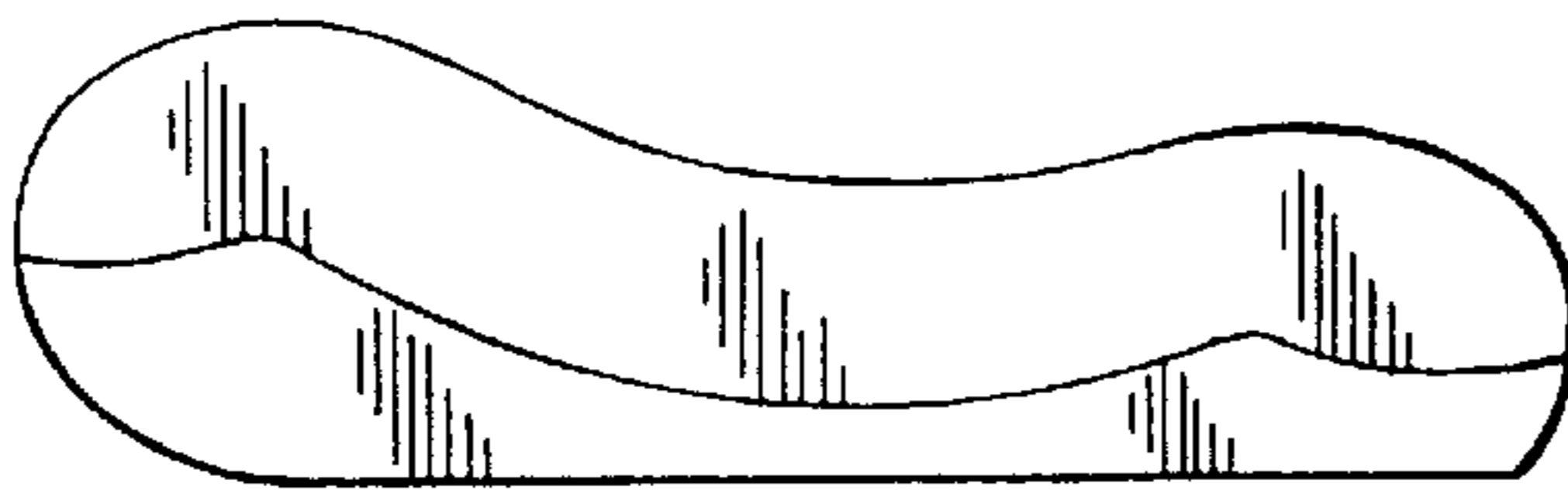
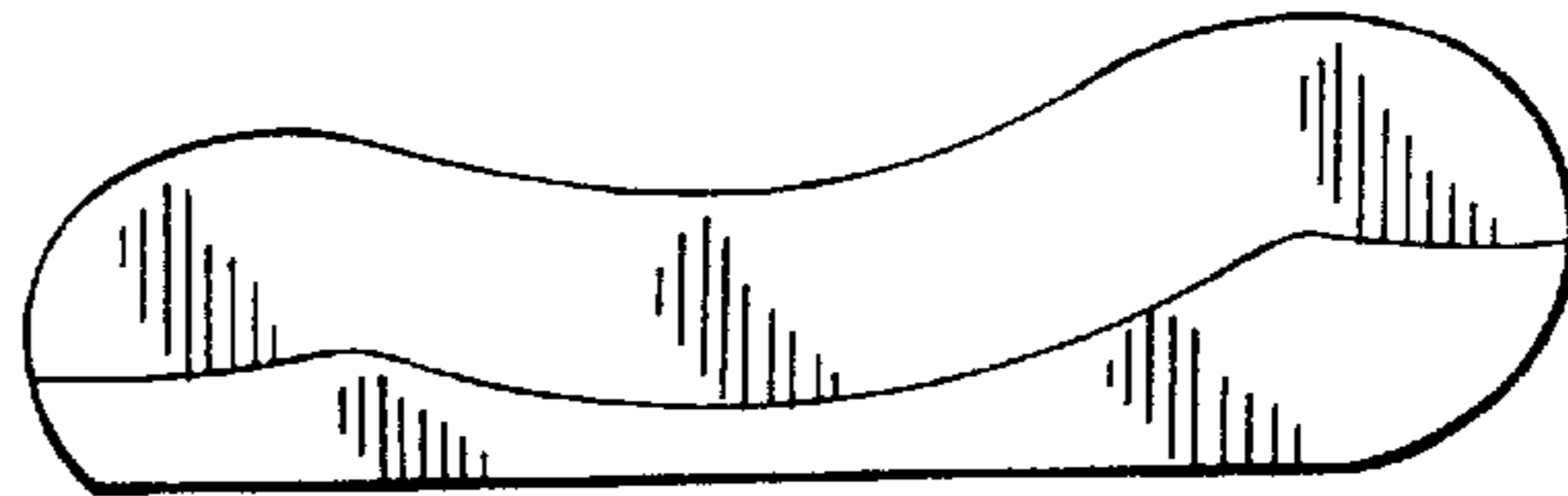
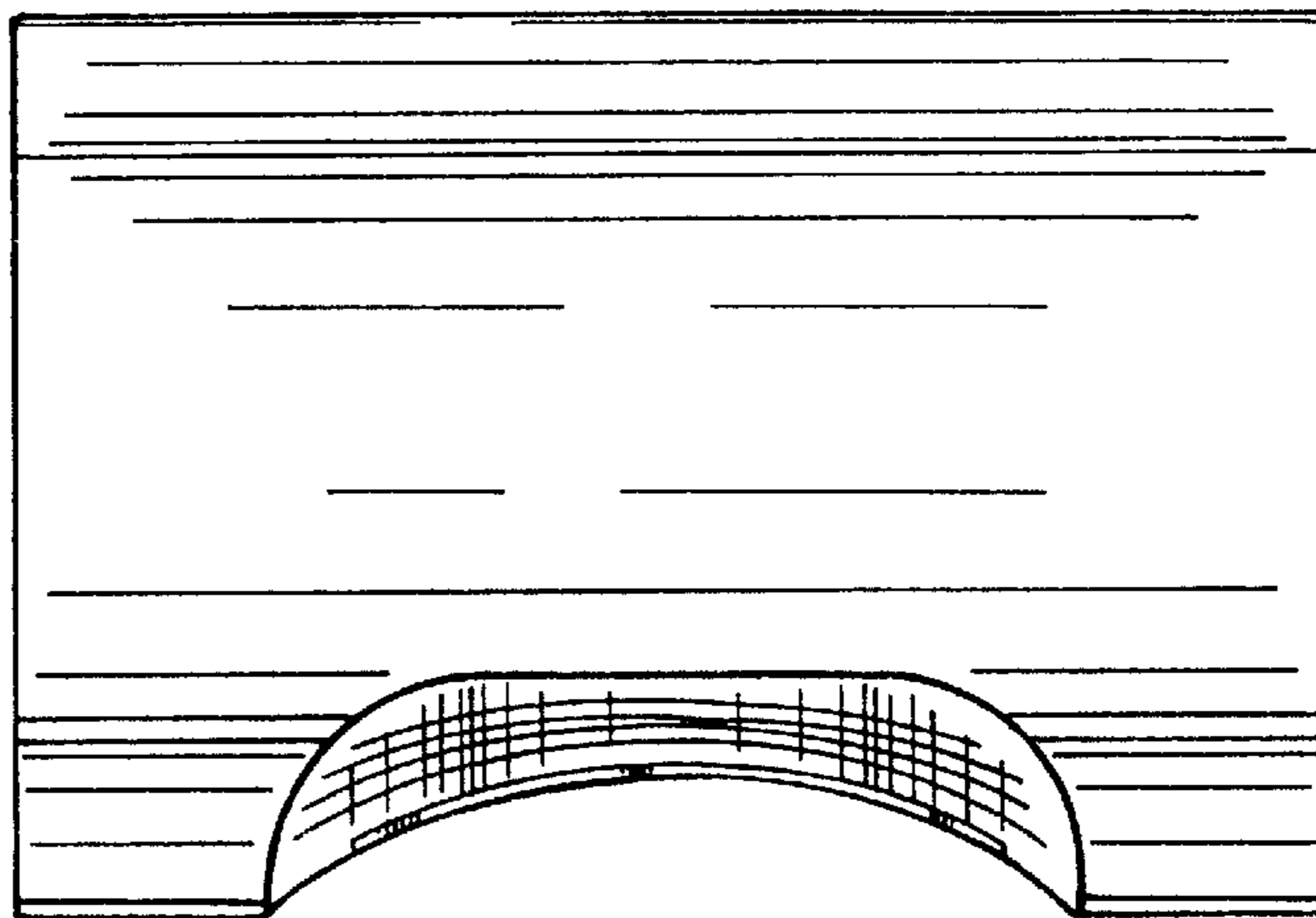


FIG. 4.

FIG. 5.



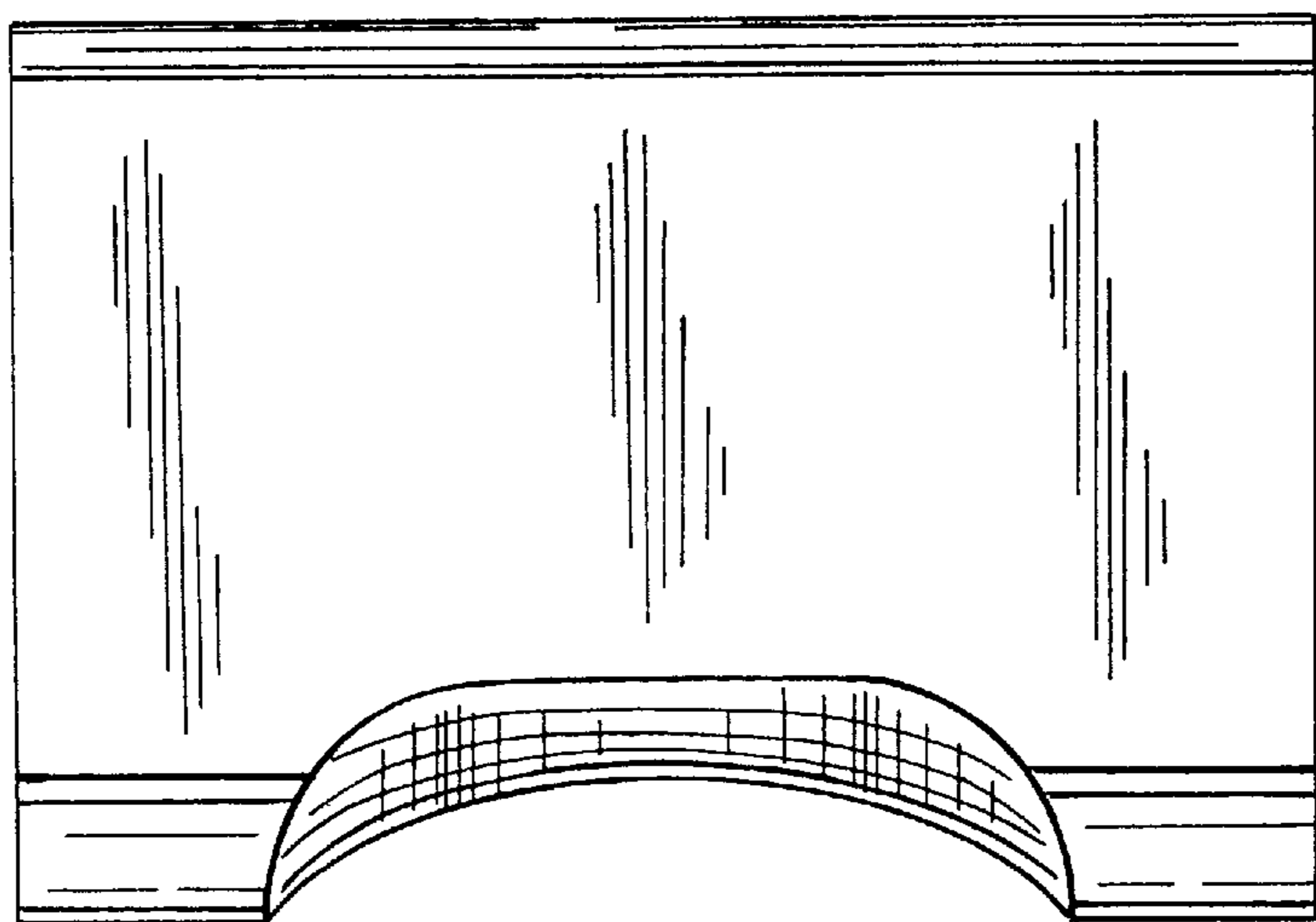
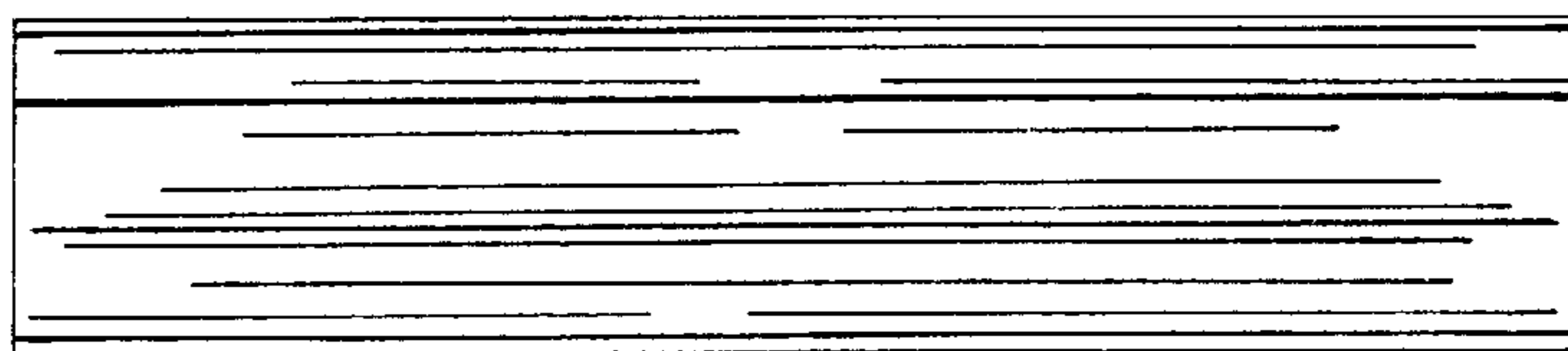


FIG. 6.

FIG. 7.



UNITED STATES PATENT AND TRADEMARK OFFICE
CERTIFICATE OF CORRECTION

PATENT NO. : D395,568
DATED : June 30, 1998
INVENTOR(S) : Davis

It is certified that error appears in the above-identified patent and that said Letters Patent is hereby corrected as shown below:

Title page, item [30], after Filing Date, insert -- Related U. S.
Application Data Division of Ser. No. 060/915, Oct. 10, 1996, Pat. No.
Des. 388.650, --.

Signed and Sealed this
Twenty-second Day of September, 1998

Attest:



BRUCE LEHMAN

Attesting Officer

Commissioner of Patents and Trademarks