

US00D395567S

United States Patent [19]
Hollinger

[11] **Patent Number: Des. 395,567**

[45] **Date of Patent: **Jun. 30, 1998**

[54] **PAPER TOWEL HOLDER**

D. 359,642 6/1995 Ahern, Jr. D6/521

[75] Inventor: **Fred Hollinger**, Kings Park, N.Y.

OTHER PUBLICATIONS

[73] Assignee: **KV and F Metal Products Inc.**, Great Neck, N.Y.

“Frontgate” Catalogue p. 51, Paper Towel Dispenser, 1996.

[**] Term: **14 Years**

Primary Examiner—Brian N. Vinson

[21] Appl. No.: **67,034**

[57] **CLAIM**

[22] Filed: **Mar. 3, 1997**

The ornamental design for a paper towel holder, as shown and described.

Related U.S. Application Data

DESCRIPTION

[62] Division of Ser. No. 42,082, Jul. 31, 1995.

FIG. 1 is a top, front, and right side perspective view of a paper towel holder showing my new design;

[51] **LOC (6) Cl.** **07-07**

FIG. 2 is a front elevational view thereof, the rear being a mirror image of that shown;

[52] **U.S. Cl.** **D6/522; D6/521**

FIG. 3 is a top plan view thereof;

[58] **Field of Search** D6/518, 521, 522,
D6/523, 566; 206/225; 242/570, 590, 597;
372/34.8

FIG. 4 is a bottom plan view thereof;

FIG. 5 is a right side elevational view thereof; and,

FIG. 6 is a left side elevational view thereof.

[56] **References Cited**

U.S. PATENT DOCUMENTS

D. 286,720 11/1986 Minuti D6/521

1 Claim, 4 Drawing Sheets

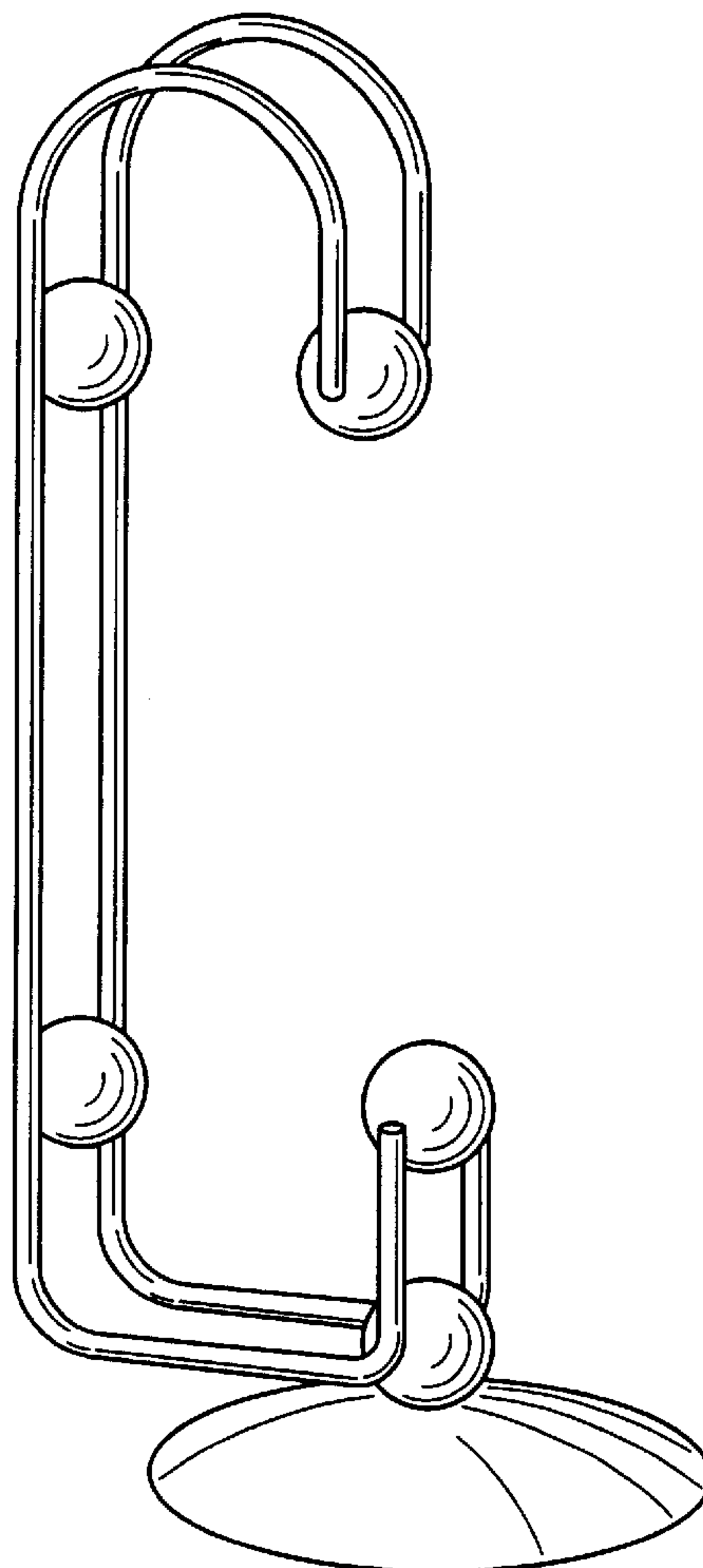


FIG. 1

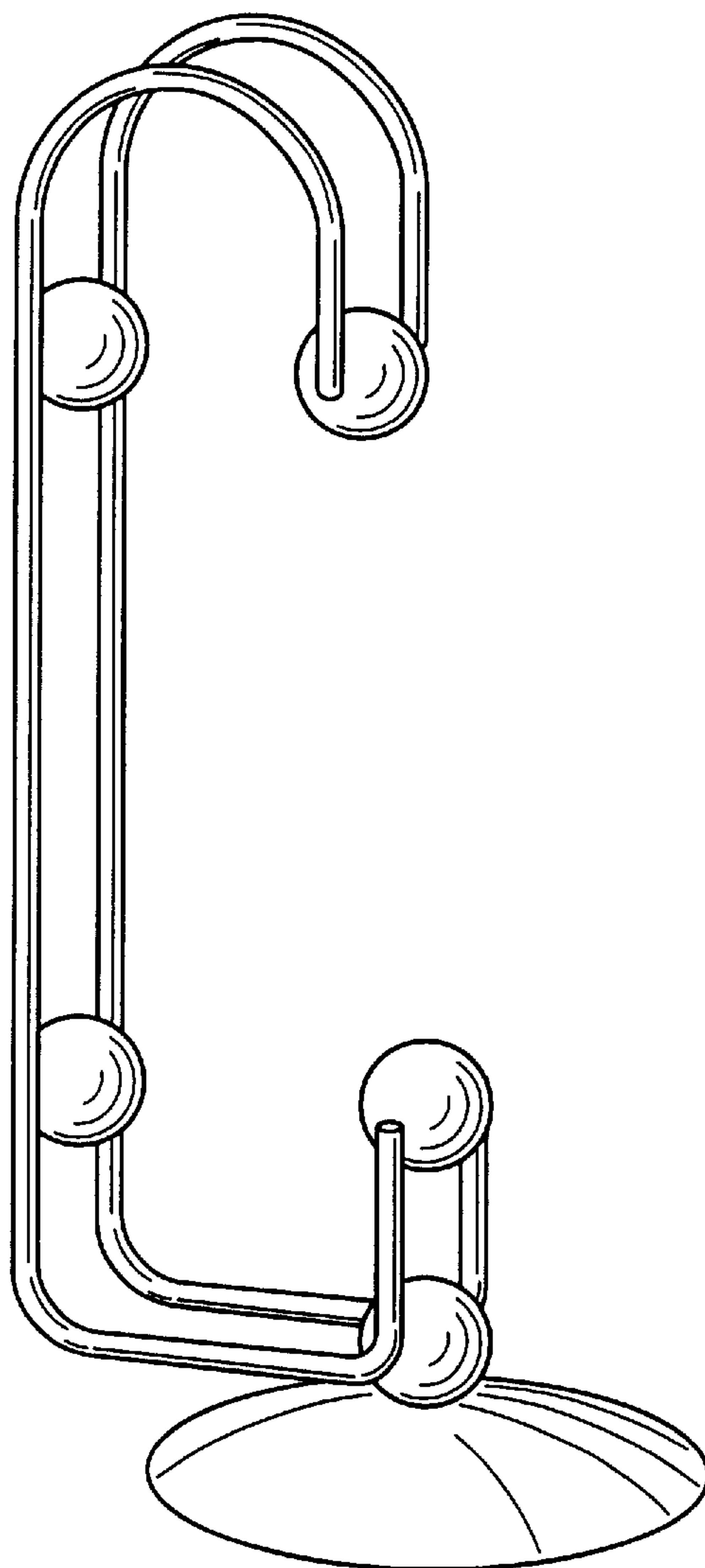


FIG. 2

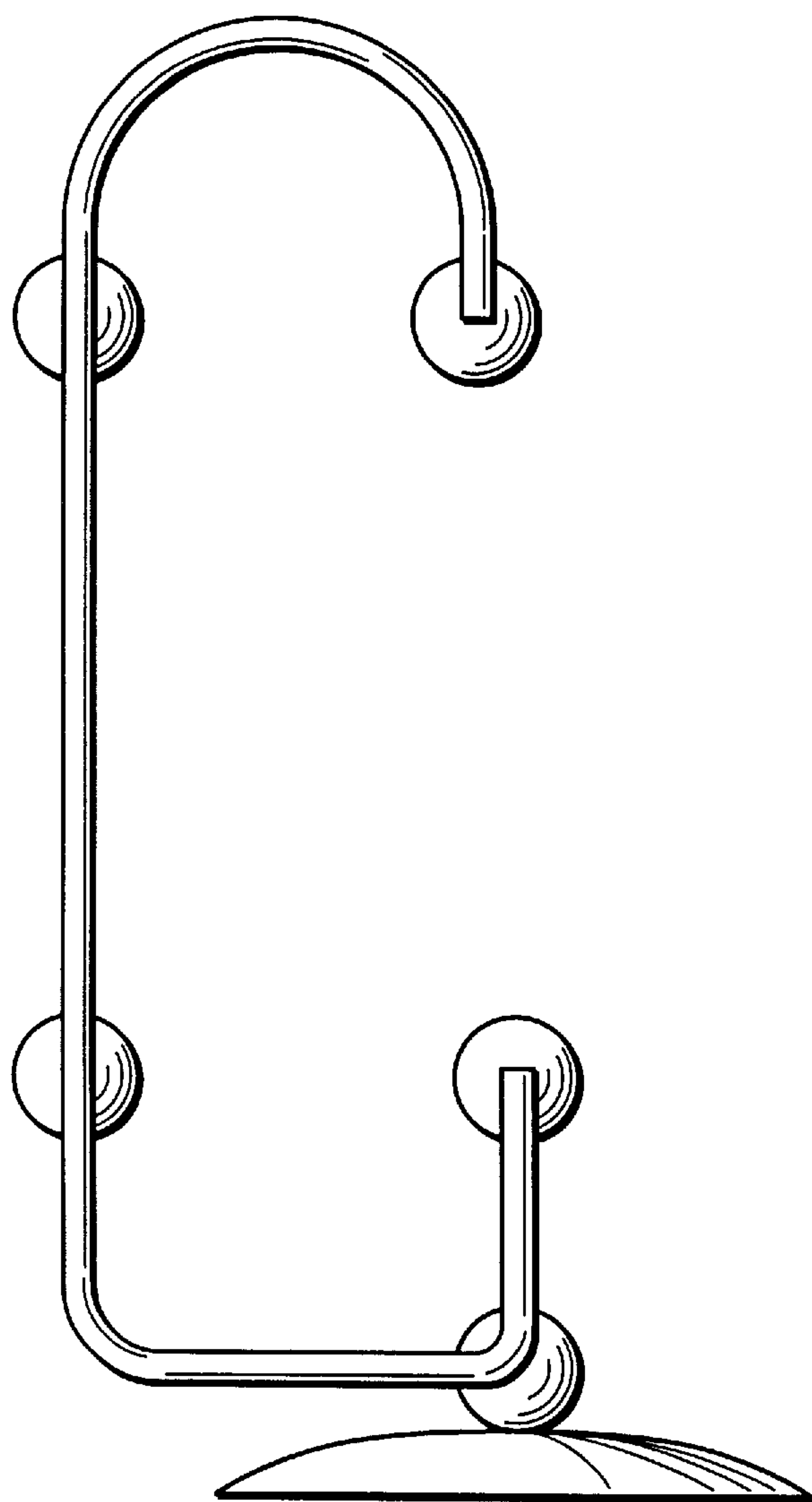


FIG. 3

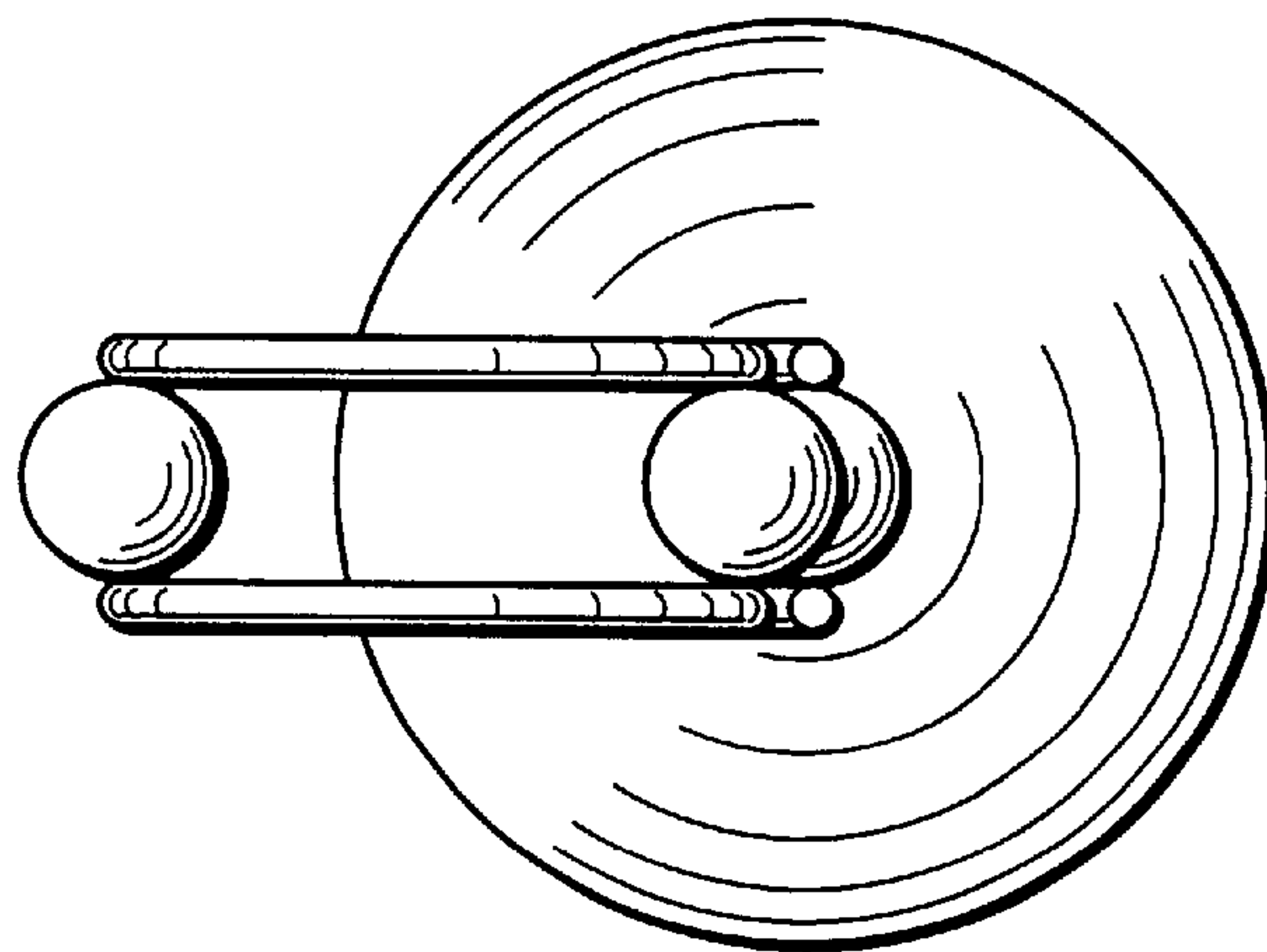


FIG. 4

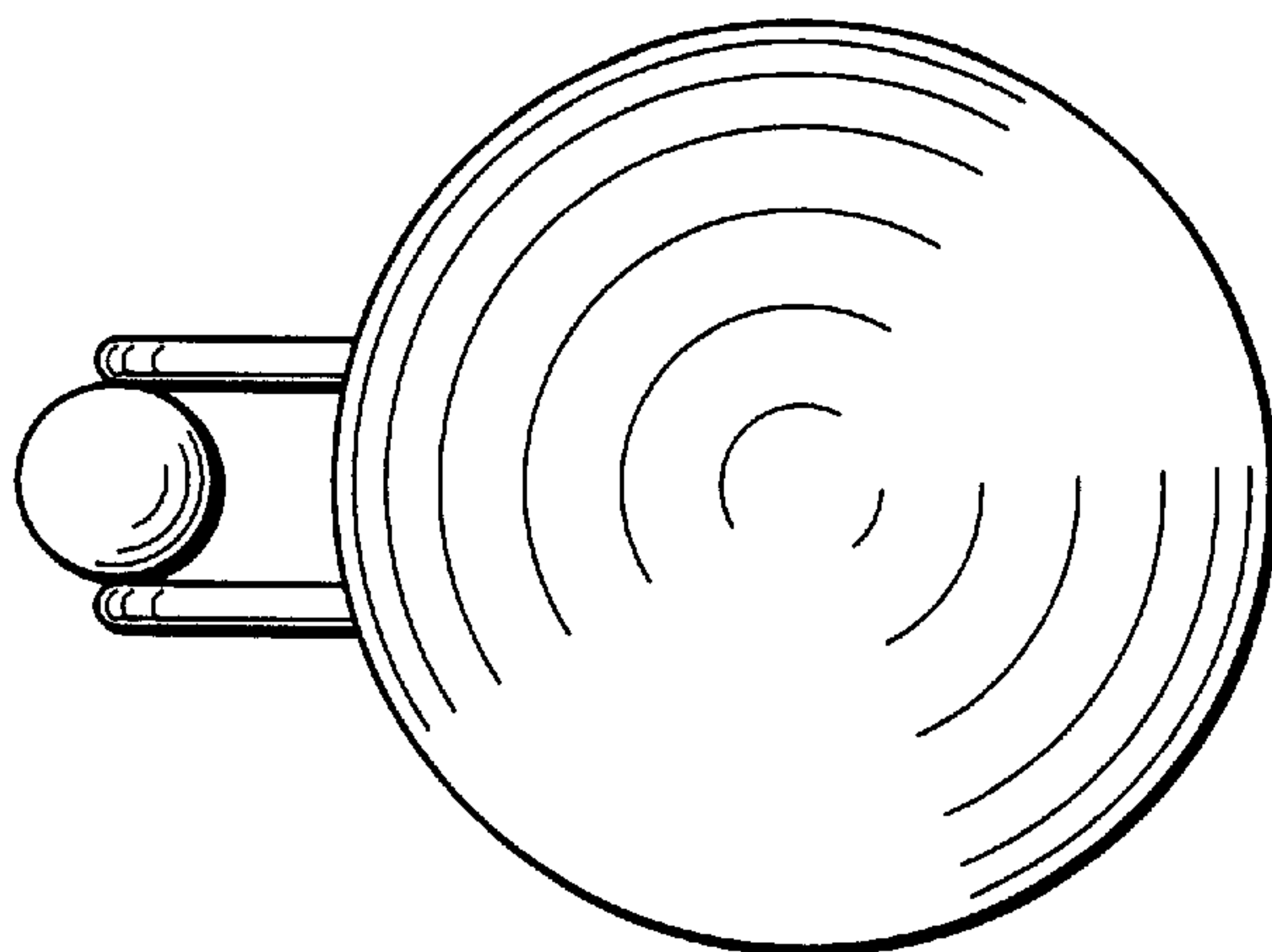


FIG. 5

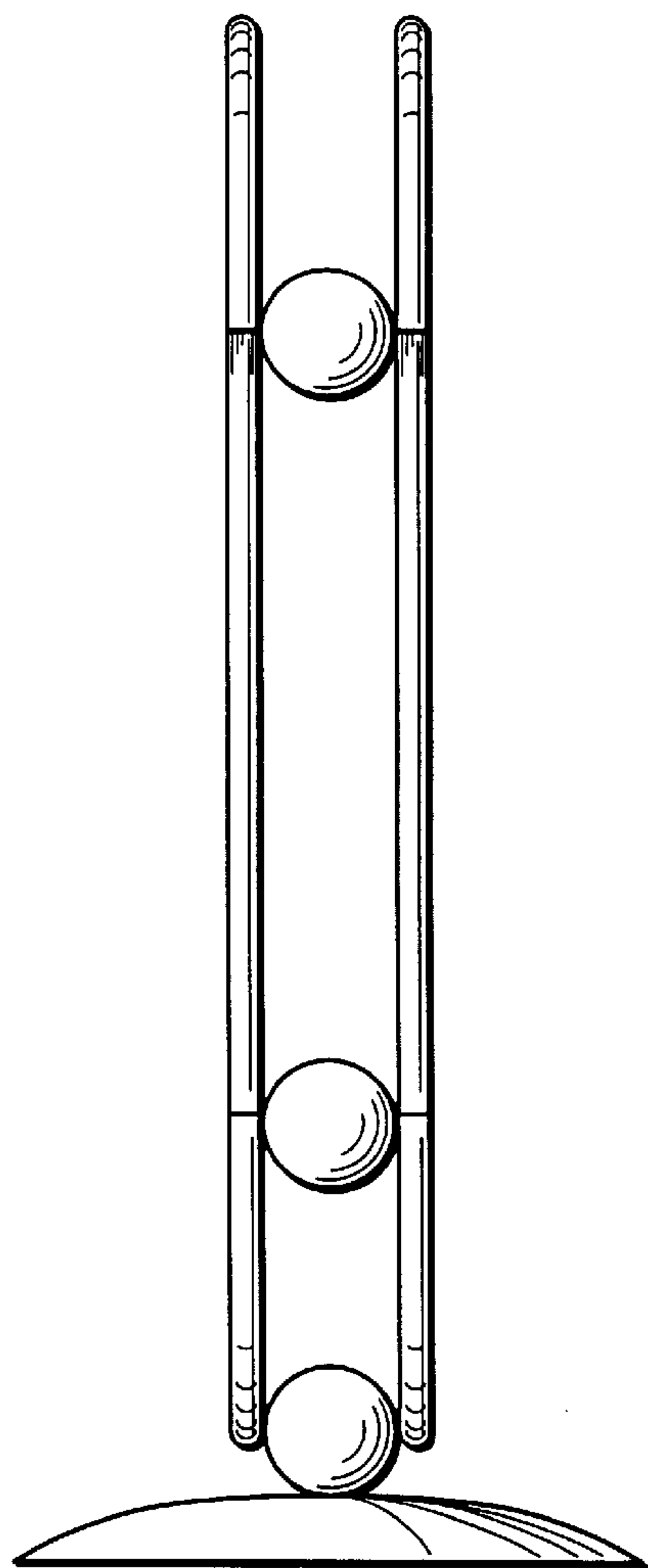


FIG. 6

