



US00D395566S

# United States Patent [19] Helseth

[11] Patent Number: **Des. 395,566**

[45] Date of Patent: **\*\*Jun. 30, 1998**

[54] **TWIST TIE DISPENSER**

[75] Inventor: **James Ray Helseth**, Plymouth, Minn.

[73] Assignee: **Twist-Ease, Inc.**, Minneapolis, Minn.

[\*\*] Term: **14 Years**

[21] Appl. No.: **57,543**

[22] Filed: **Jul. 26, 1996**

[51] **LOC (6) Cl.** ..... **07-07**

[52] **U.S. Cl.** ..... **D6/515**

[58] **Field of Search** ..... D6/515, 517; D23/371,  
D23/373; 211/13.1, 10, 44, 60.1, 66, 86.01,  
87.01, 113; 221/26, 45, 92, 93, 94, 197,  
282, 283

[56] **References Cited**

**U.S. PATENT DOCUMENTS**

D. 156,922	1/1950	Sonntag	.....	D23/372
D. 261,452	10/1981	Chandler	.....	D6/523
D. 285,719	9/1986	Conlon	.....	D23/371
D. 294,908	3/1988	Childress	.....	D6/573 X
D. 323,594	2/1992	Helseth	.....	D6/515
628,642	7/1899	Wyman	.	
740,001	9/1903	Flanagin	.	
1,441,359	1/1923	Langston	.....	493/362
2,050,394	8/1936	Straubel	.....	493/363
2,973,597	3/1961	Powell	.....	24/30.5 T
2,984,161	5/1961	Cook et al.	.....	493/365
3,068,135	12/1962	Bower	.....	24/30.5 T
3,207,564	9/1965	Patrick et al.	.....	D6/517 X
3,290,854	12/1966	MacMurray	.....	24/30.5 T
3,409,948	11/1968	Goodwin	.....	24/30.5 T

3,774,755	11/1973	Cast et al.	.....	206/56 DF
4,052,886	10/1977	Buick	.....	98/58.3
4,509,231	4/1985	Paxton	.....	24/30.5
4,539,237	9/1985	Clayton	.....	24/30.5 R
4,543,862	10/1985	Levene et al.	.....	83/19
4,558,813	12/1985	Richards	.....	229/4.5
4,596,195	6/1986	Wenger	.....	108/31
4,621,732	11/1986	Olson	.....	24/30.5 R
4,815,610	3/1989	Borick et al.	.....	211/13 X
4,948,202	8/1990	Helseth	.....	24/30.5 T X
5,092,830	3/1992	Helseth	.....	493/352
5,213,400	5/1993	Helseth	.....	312/35
5,232,431	8/1993	Helseth	.....	493/352

*Primary Examiner*—Brian N. Vinson  
*Attorney, Agent, or Firm*—Merchant, Gould Smith, Edell  
Welter & Schmidt

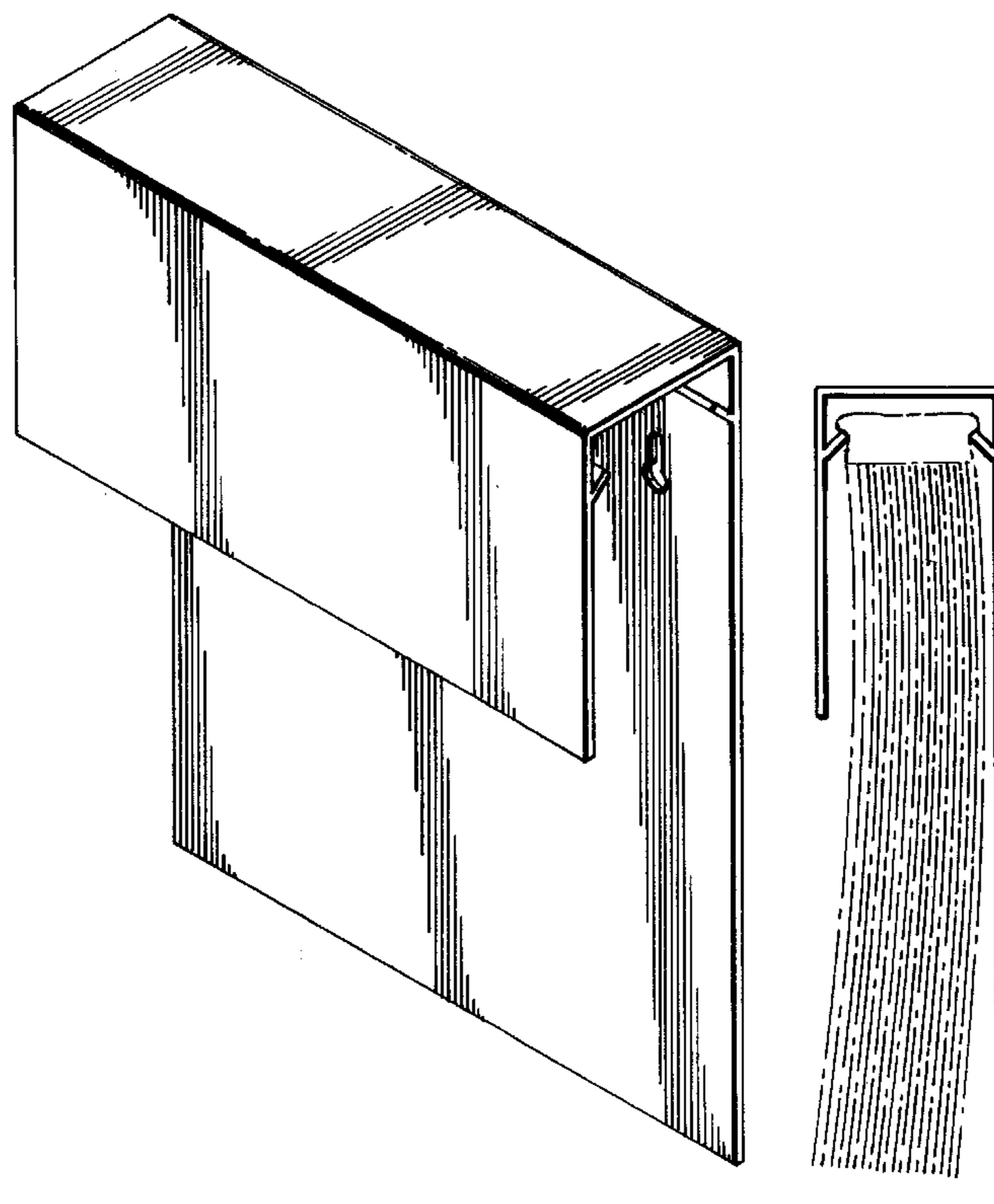
[57] **CLAIM**

The ornamental design for a twist-tie dispenser, as shown and described.

**DESCRIPTION**

FIG. 1 is a perspective view of the twist-tie dispenser showing my new design;  
FIG. 2 is a right-side elevational view thereof, the left side being a mirror image of that shown, and the broken-line disclosure of twist-ties being for illustrative purposes only and forming no part of the claimed design;  
FIG. 3 is a top-plan view thereof;  
FIG. 4 is a bottom-plan view thereof;  
FIG. 5 is a front elevational view thereof; and,  
FIG. 6 is a rear elevational view thereof.

**1 Claim, 2 Drawing Sheets**



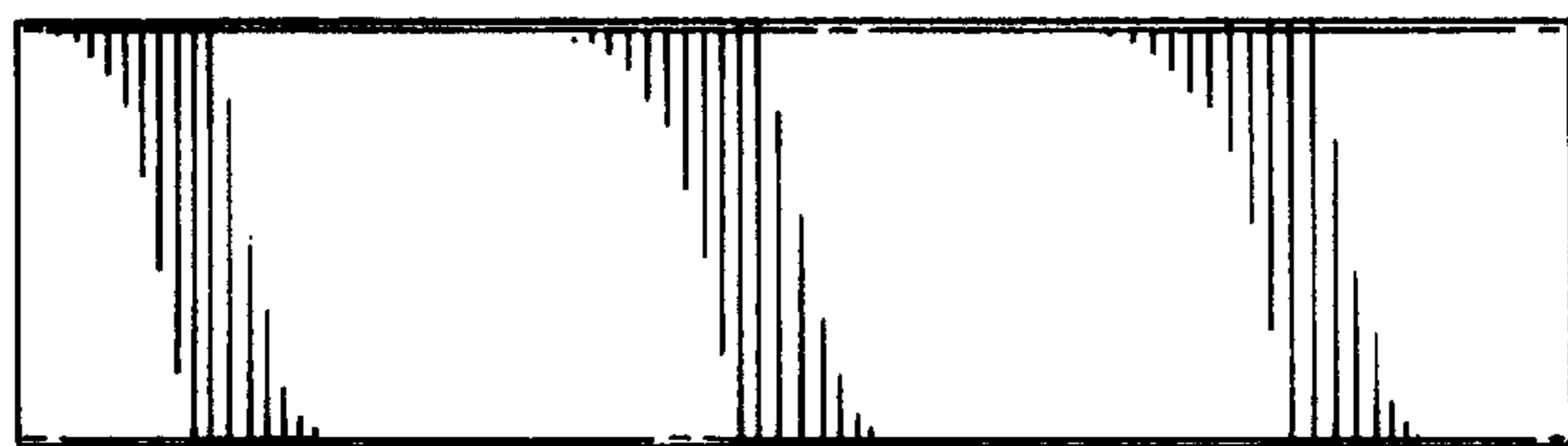
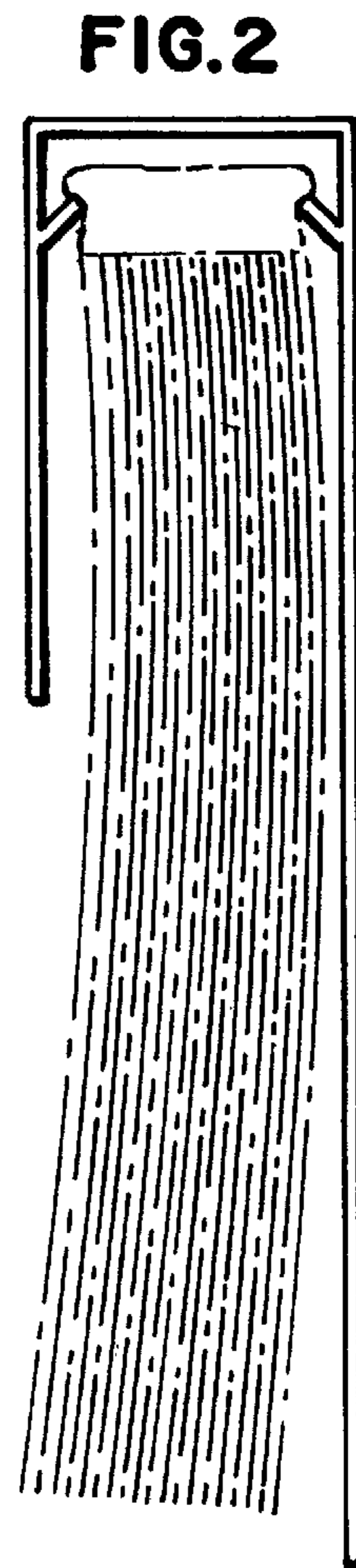
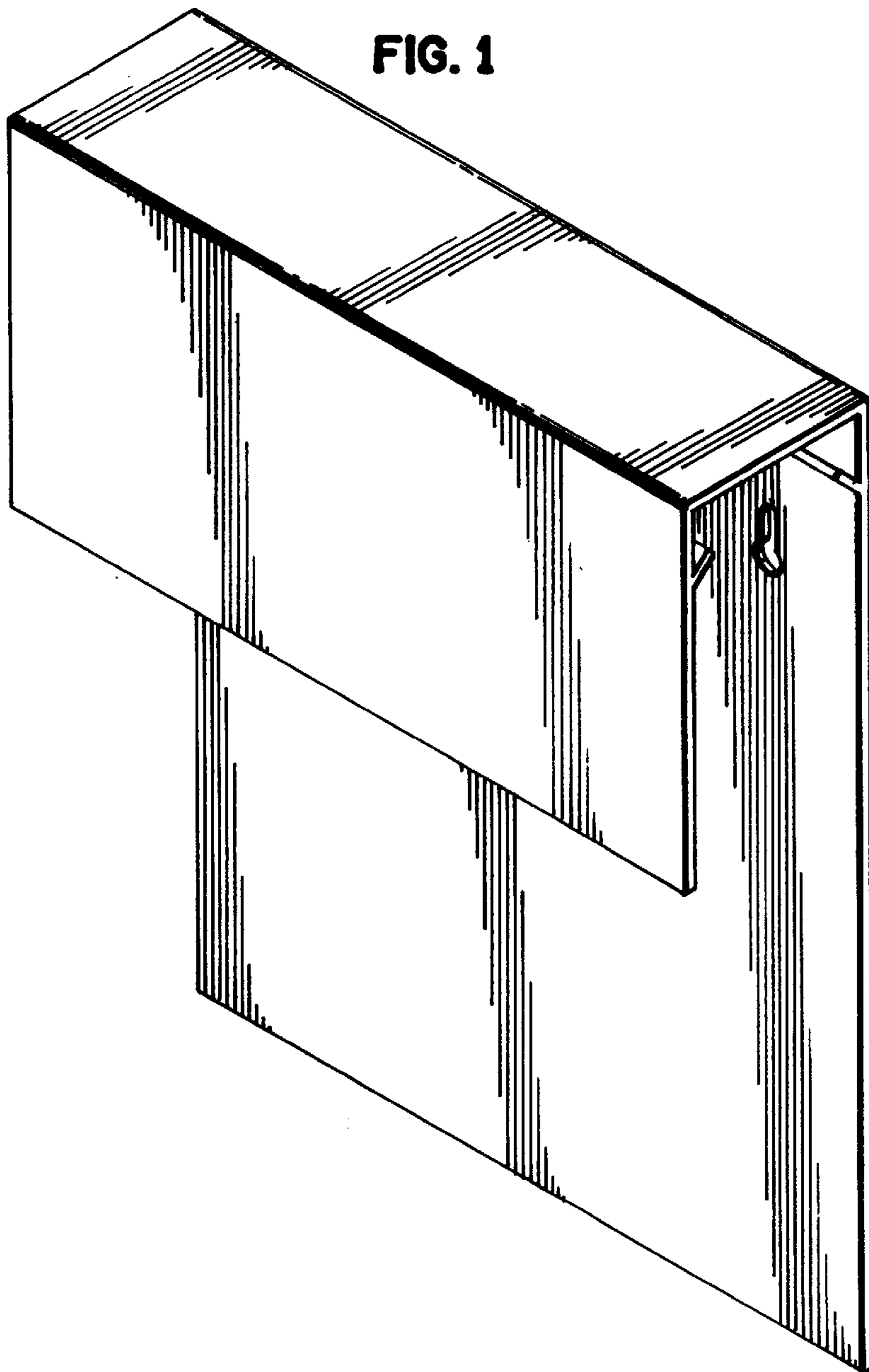
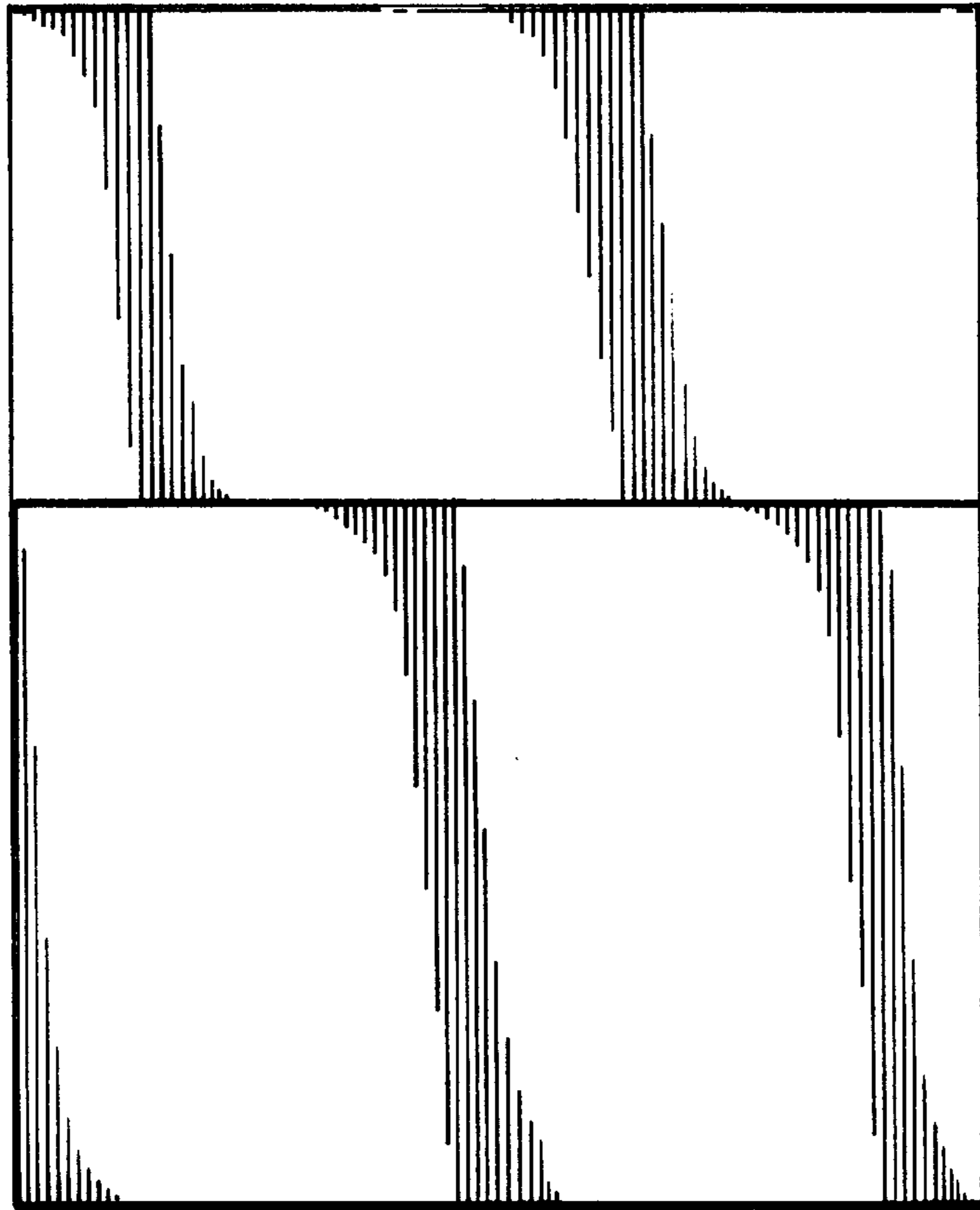
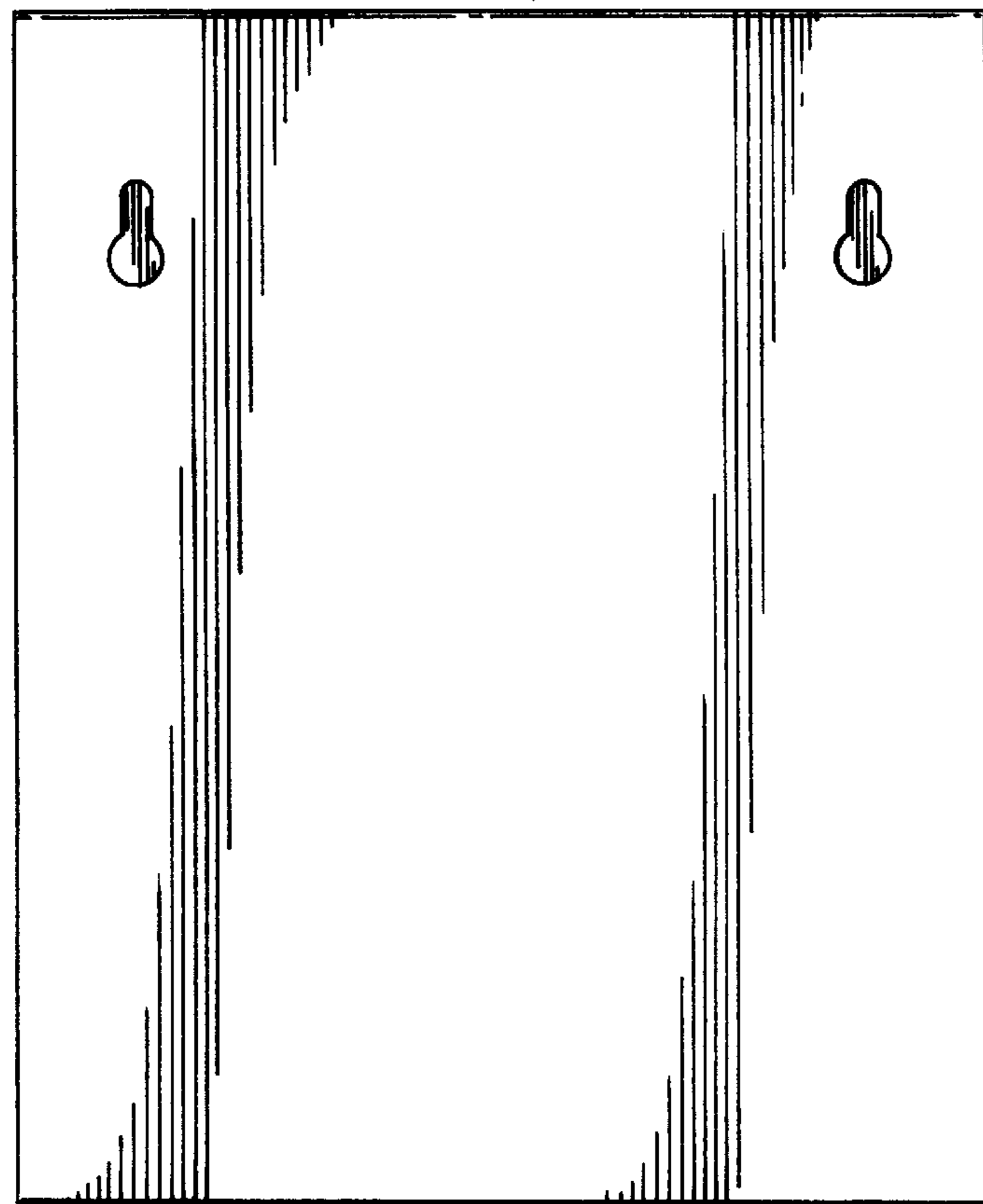


FIG. 3

FIG. 4



**FIG. 5**



**FIG. 6**