



US00D395562S

United States Patent [19]
Goodman

[11] **Patent Number: Des. 395,562**

[45] **Date of Patent: **Jun. 30, 1998**

[54] **RACE CAR DISPLAY STAND**

[76] Inventor: **Fred W. Goodman**, 515 Burrage Rd.,
Concord, N.C. 28025

[**] Term: **14 Years**

[21] Appl. No.: **59,638**

[22] Filed: **Aug. 26, 1996**

[51] **LOC (6) Cl.** **06-04**

[52] **U.S. Cl.** **D6/450**

[58] **Field of Search** D6/449, 450, 303,
D6/310; 248/174, 176.1, 447, 460; 211/86,
88, 49.1, 195; 40/539, 411, 606, 610, 642,
700, 743, 725, 798, 800, 746; D19/21,
24, 80, 82, 97; D20/29, 34

[56] **References Cited**

U.S. PATENT DOCUMENTS

D. 121,629 7/1940 Barbour D20/34
D. 355,218 2/1995 Peterka D19/82

4,479,651 10/1984 LaFleur 273/157 R
5,543,190 8/1996 Johnson et al. 40/700 X
5,560,500 10/1996 Wilcox 211/88
5,581,923 12/1996 Brandstetter 40/606
5,619,814 4/1997 Herrndobler D19/82 X

Primary Examiner—James Gandy
Assistant Examiner—Linda Brooks
Attorney, Agent, or Firm—Adams Law Firm, P.A.

[57] **CLAIM**

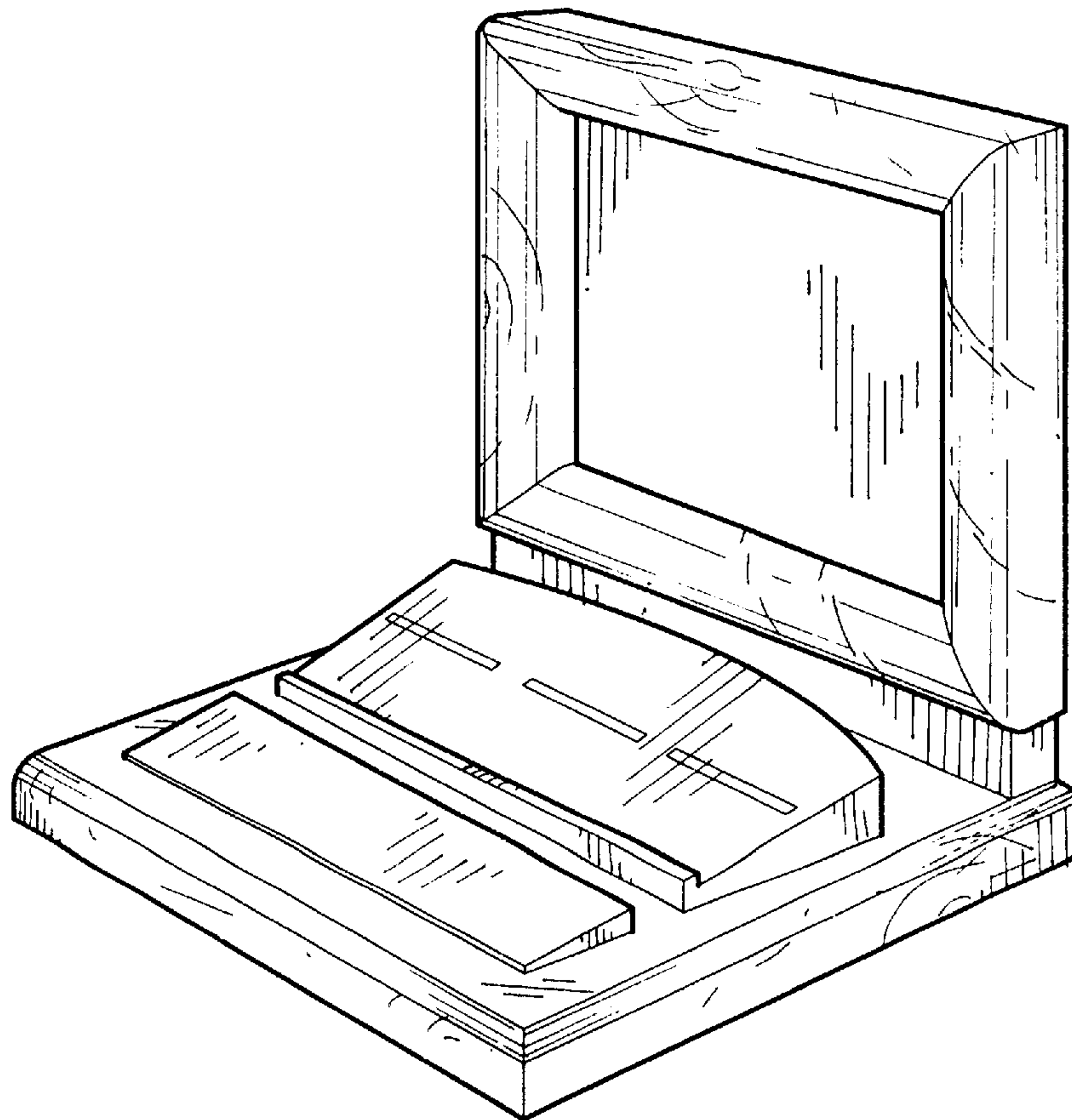
The ornamental design for a race car display stand, as shown and described.

DESCRIPTION

FIG. 1 is a perspective view of the race car display stand; FIG. 2 is a front elevational view thereof; FIG. 3 is a top plan view thereof; FIG. 4 is a right side elevational view thereof; and, FIG. 5 is a left side elevational view thereof.

The rear and bottom surfaces of the race car display stand are flat and unornamented.

1 Claim, 3 Drawing Sheets



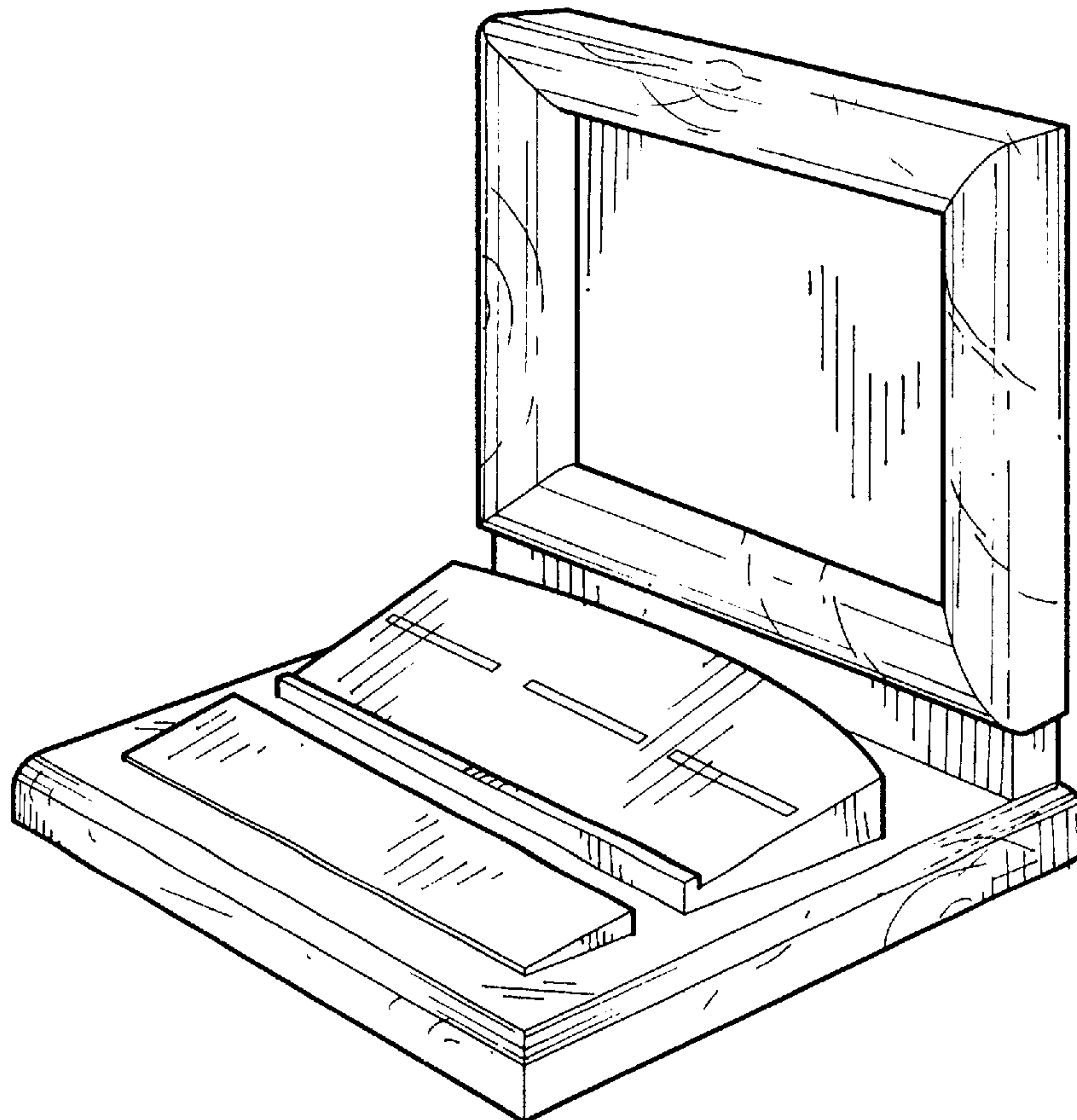


Fig. 1

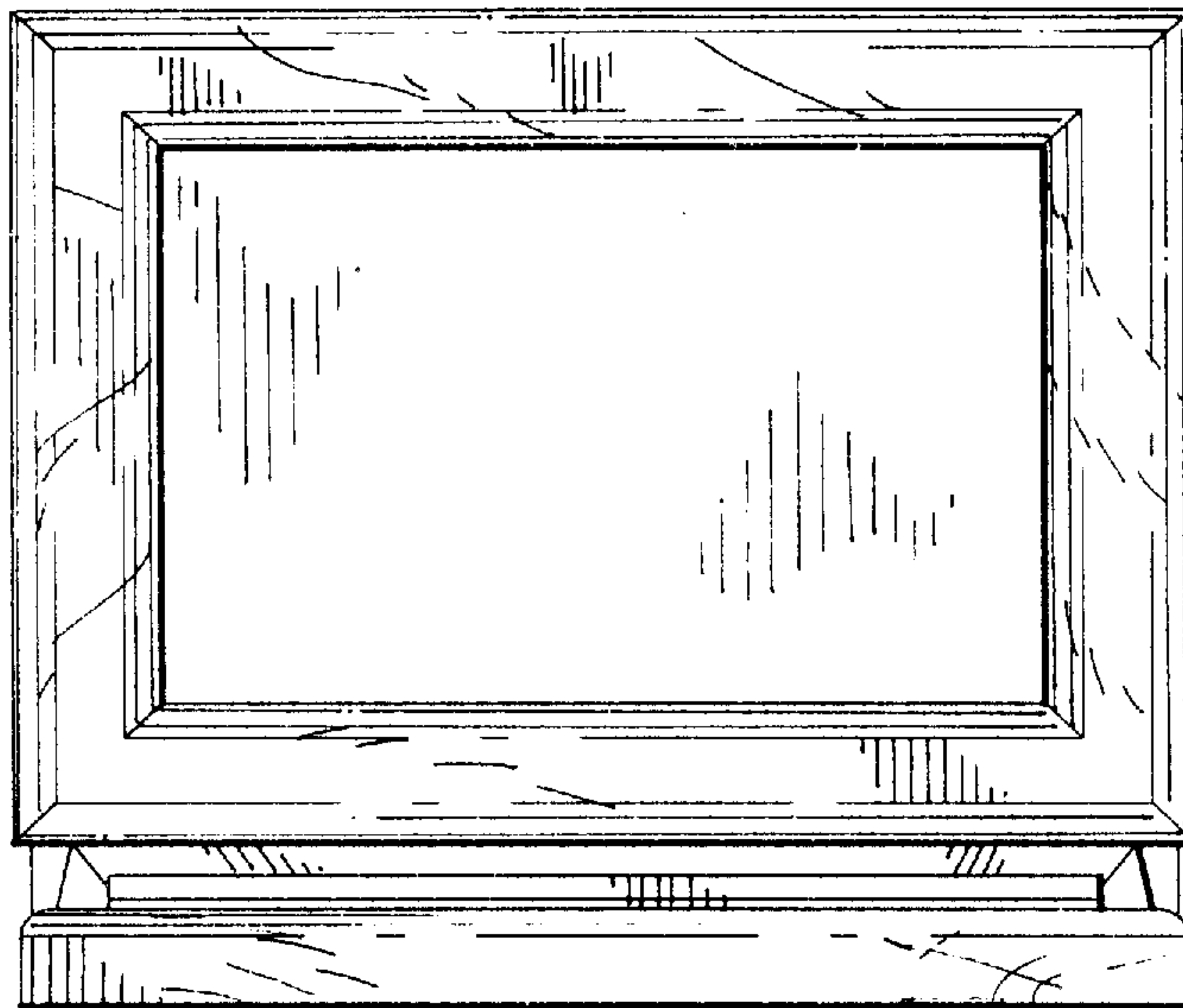


Fig. 2

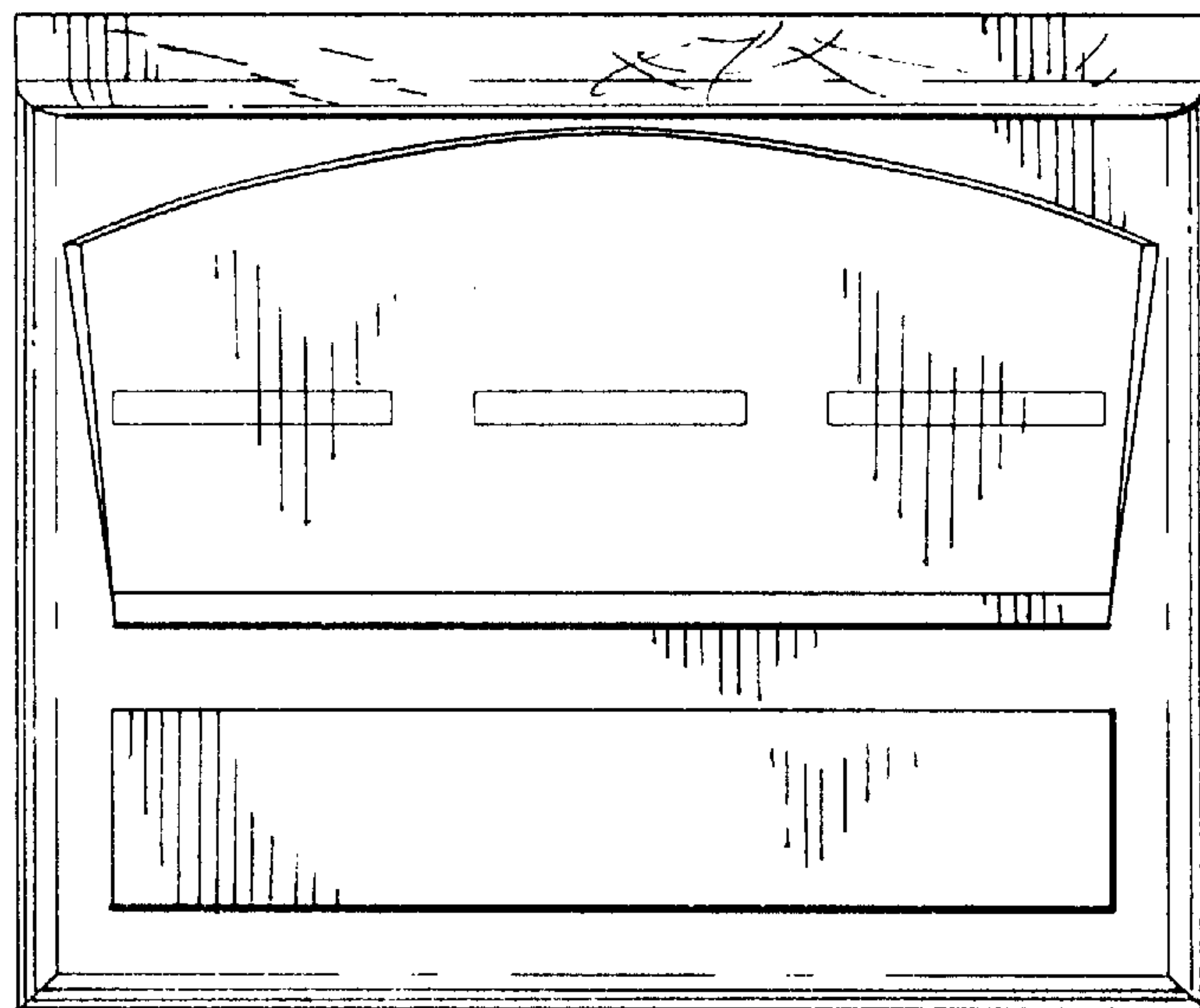


Fig. 3

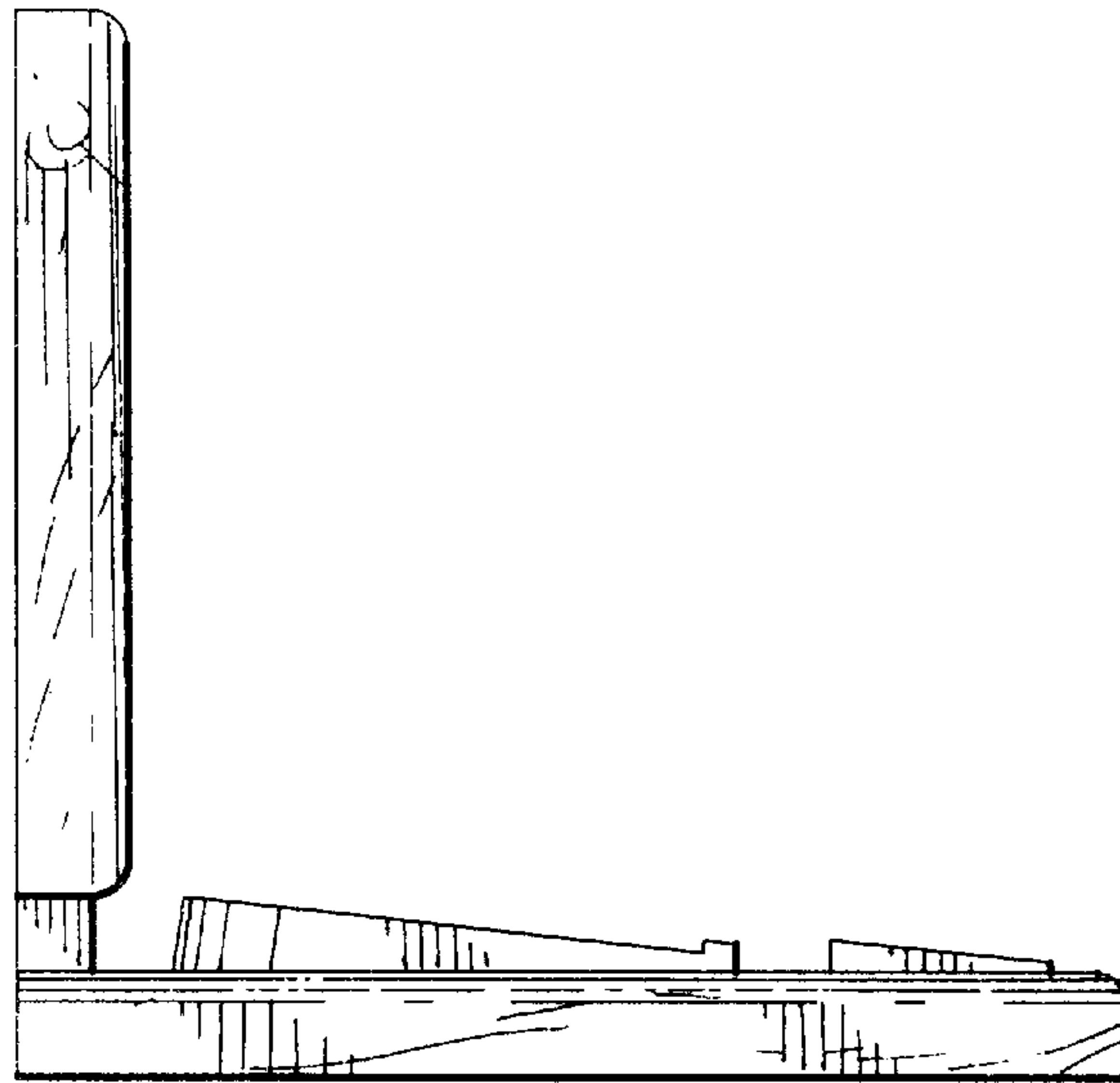


Fig. 4

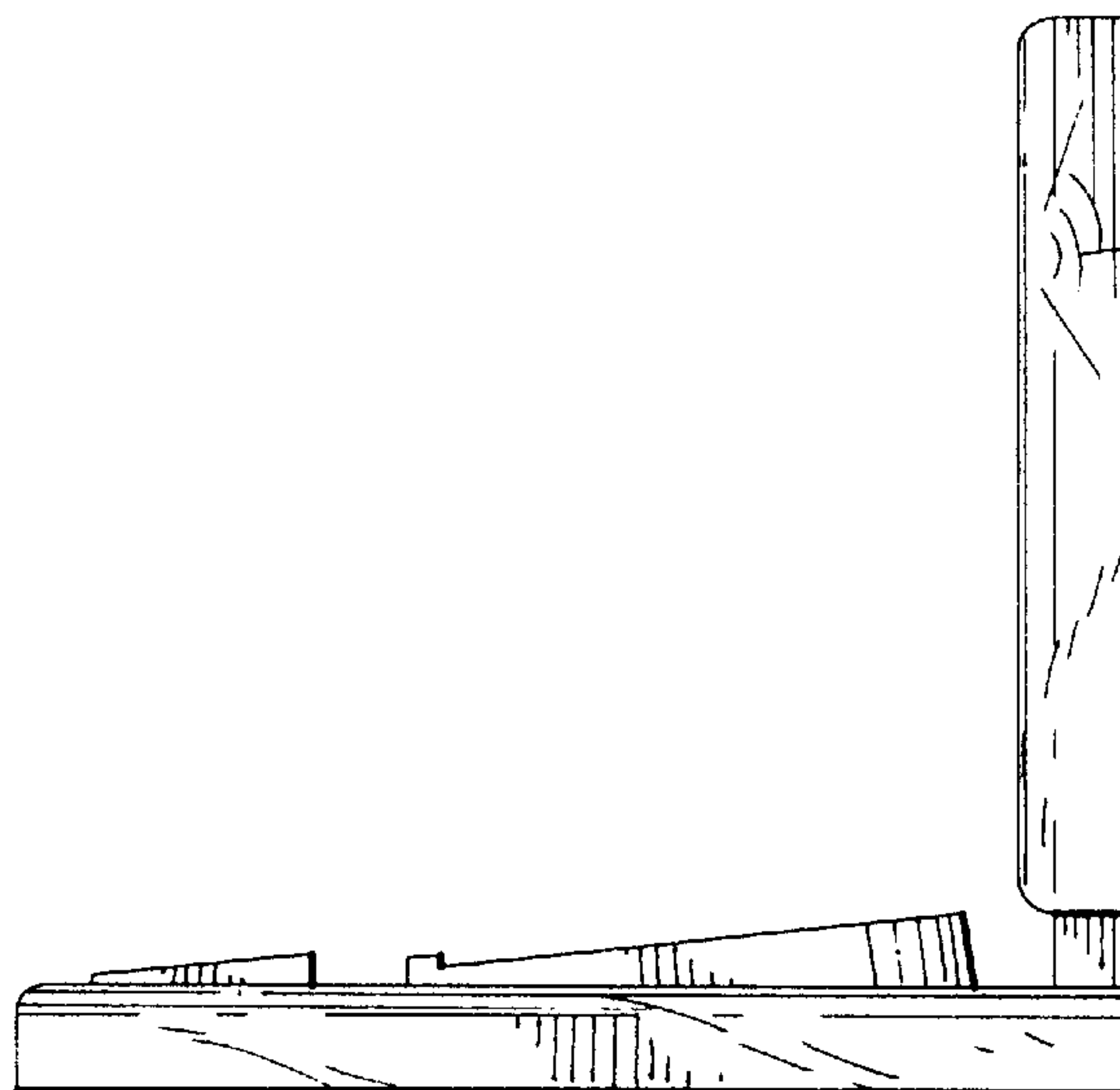


Fig. 5