



US00D395560S

United States Patent [19] Powell

[11] **Patent Number: Des. 395,560**

[45] **Date of Patent: **Jun. 30, 1998**

[54] **VANITY MIRROR WITH STORAGE COMPARTMENT**

1,062,962 5/1913 Gaal 312/227
4,629,264 12/1986 Culver 312/227 X

[75] Inventor: **Lawrence Powell**, Culver City, Calif.

Primary Examiner—James Gandy
Assistant Examiner—Linda Brooks
Attorney, Agent, or Firm—Daniel R. Kimbell

[73] Assignee: **L. Powell Co., Inc.**, Culver City, Calif.

[**] Term: **14 Years**

[57] **CLAIM**

[21] Appl. No.: **70,778**

The ornamental design for a vanity mirror with storage compartment, as shown and described.

[22] Filed: **May 15, 1997**

DESCRIPTION

[51] **LOC (6) Cl.** **06-04**

[52] **U.S. Cl.** **D6/444**

[58] **Field of Search** D6/445, 512, 559,
D6/566, 573, 300, 309, 310, 312, 313,
432, 444; D3/205, 273–275, 294, 295,
903; D28/99, 73; 312/224, 226, 227, 204

FIG. 1 is a front, right and top perspective view of the vanity mirror with storage compartment of my design, with the front mirrored door thereof being in its closed position; FIG. 2 is a front elevational view of my design of FIG. 1; FIG. 3 is a left side elevational view of my design of FIG. 1; FIG. 4 is a right side elevational view of my design of FIG. 1; FIG. 5 is a top plan view of my design of FIG. 1; FIG. 6 is a bottom plan view of my design of FIG. 1; FIG. 7 is a rear elevational view of my design of FIG. 1; and, FIG. 8 is a perspective front, left and top view of my design of FIG. 1, with the front mirrored door thereof being in its opened position.

[56] **References Cited**

U.S. PATENT DOCUMENTS

- D. 41,429 6/1911 Golden D6/309
- D. 68,569 10/1925 Flannery D6/436
- D. 258,842 4/1981 deHaseth D6/309
- D. 264,279 5/1982 Zabrowsky 312/224 X
- D. 317,531 6/1991 Evans D6/309
- D. 318,579 7/1991 Palmer D6/444 X

1 Claim, 7 Drawing Sheets

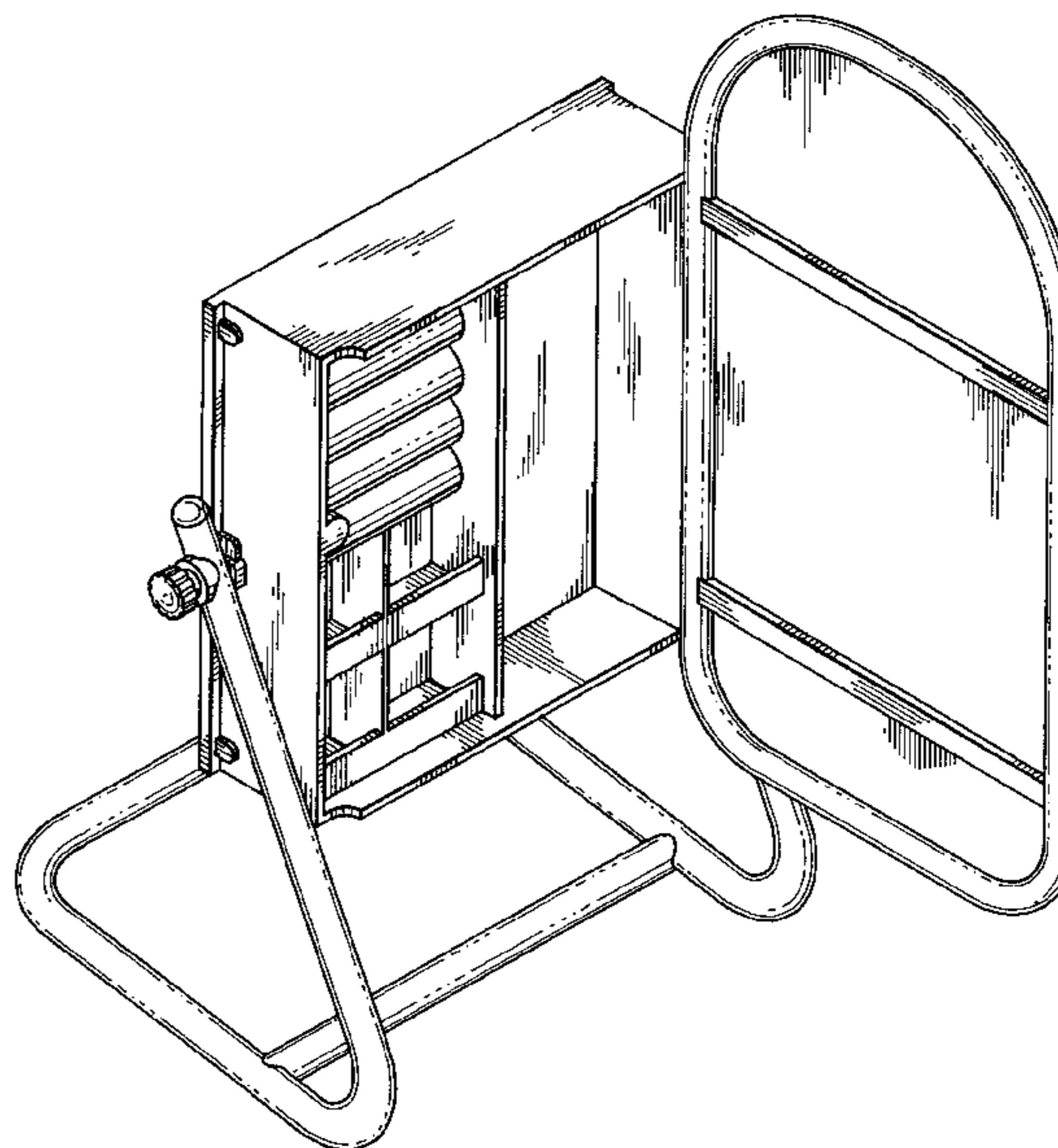
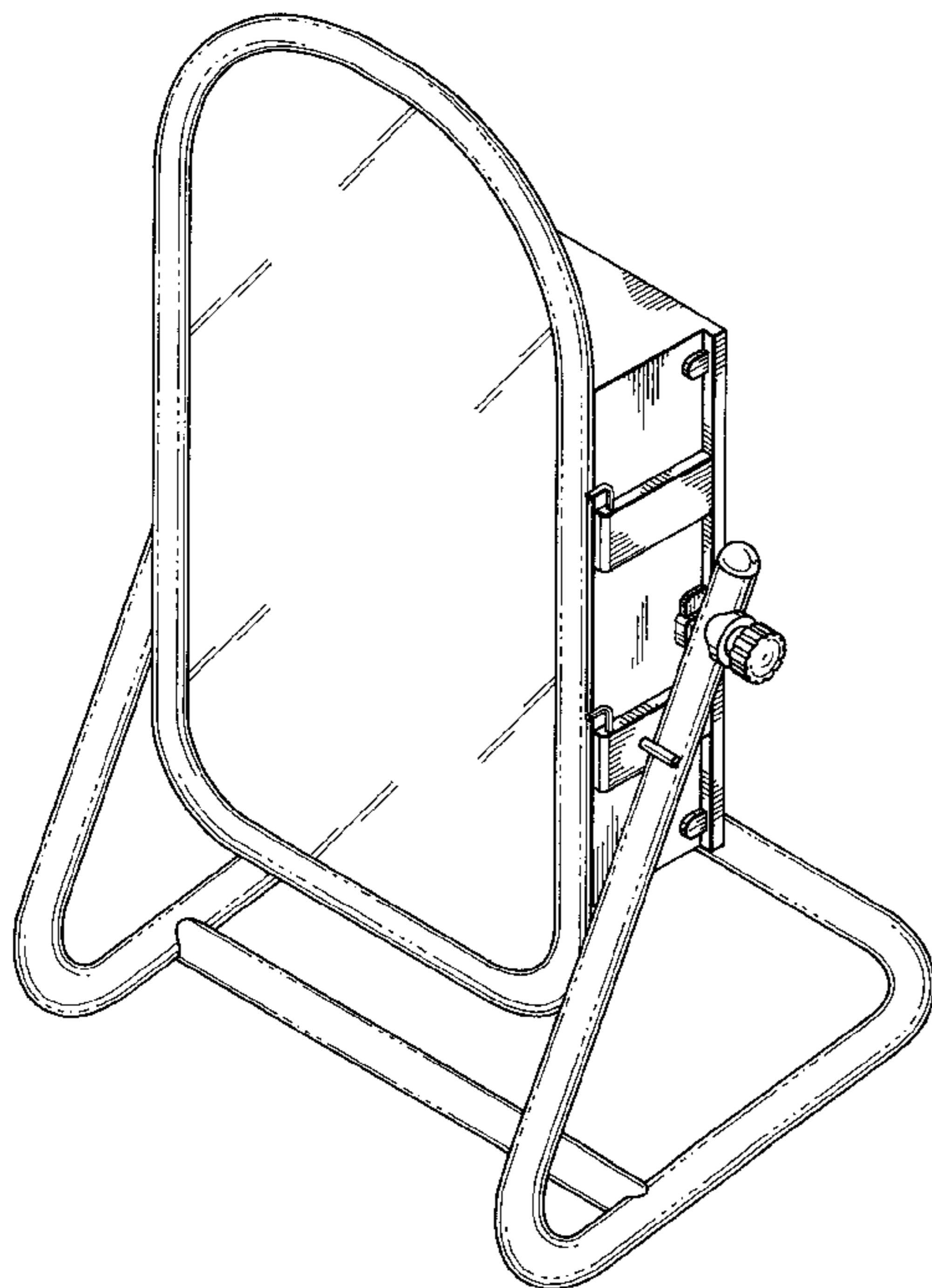


FIG. 1

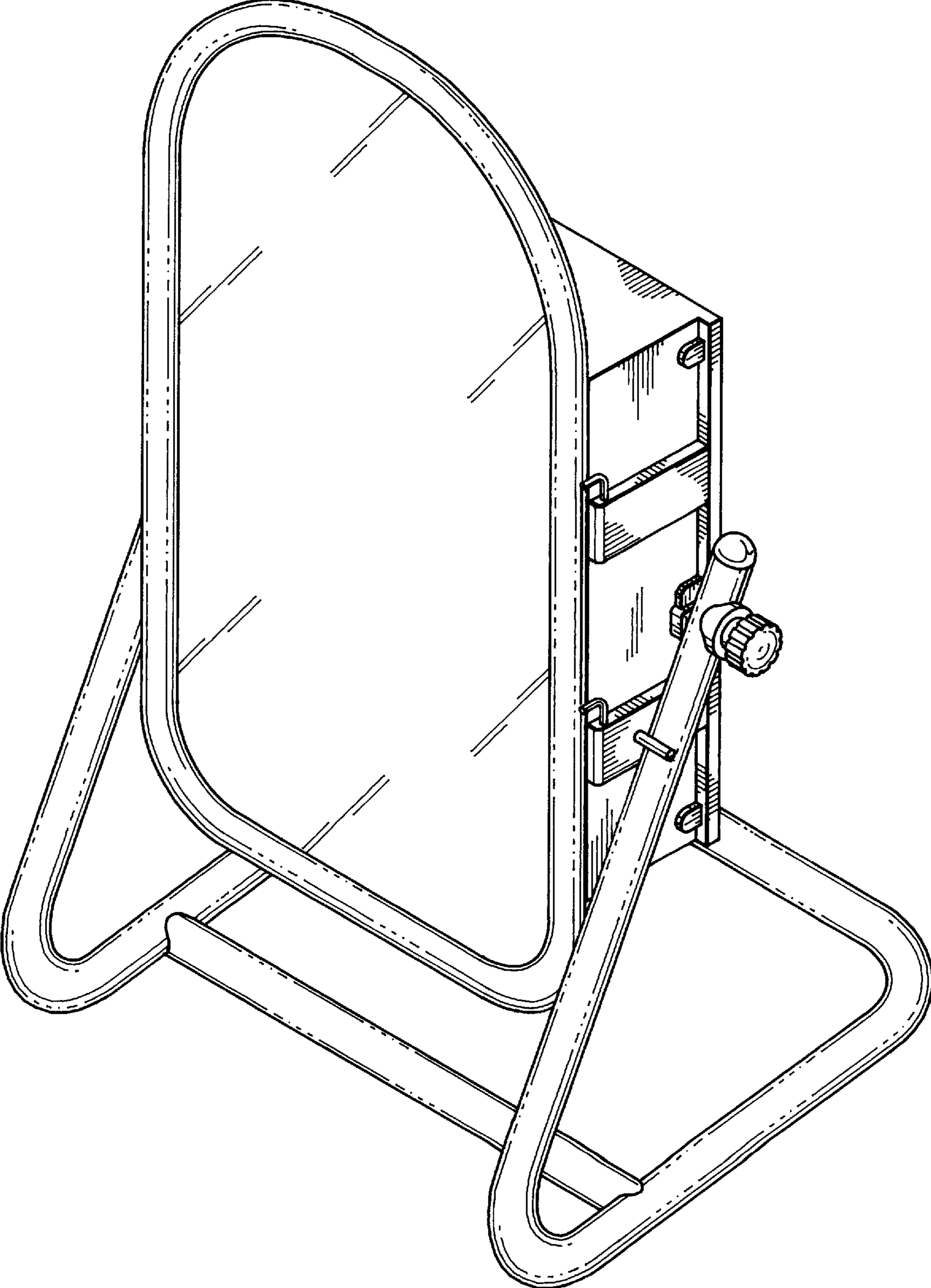


FIG. 2

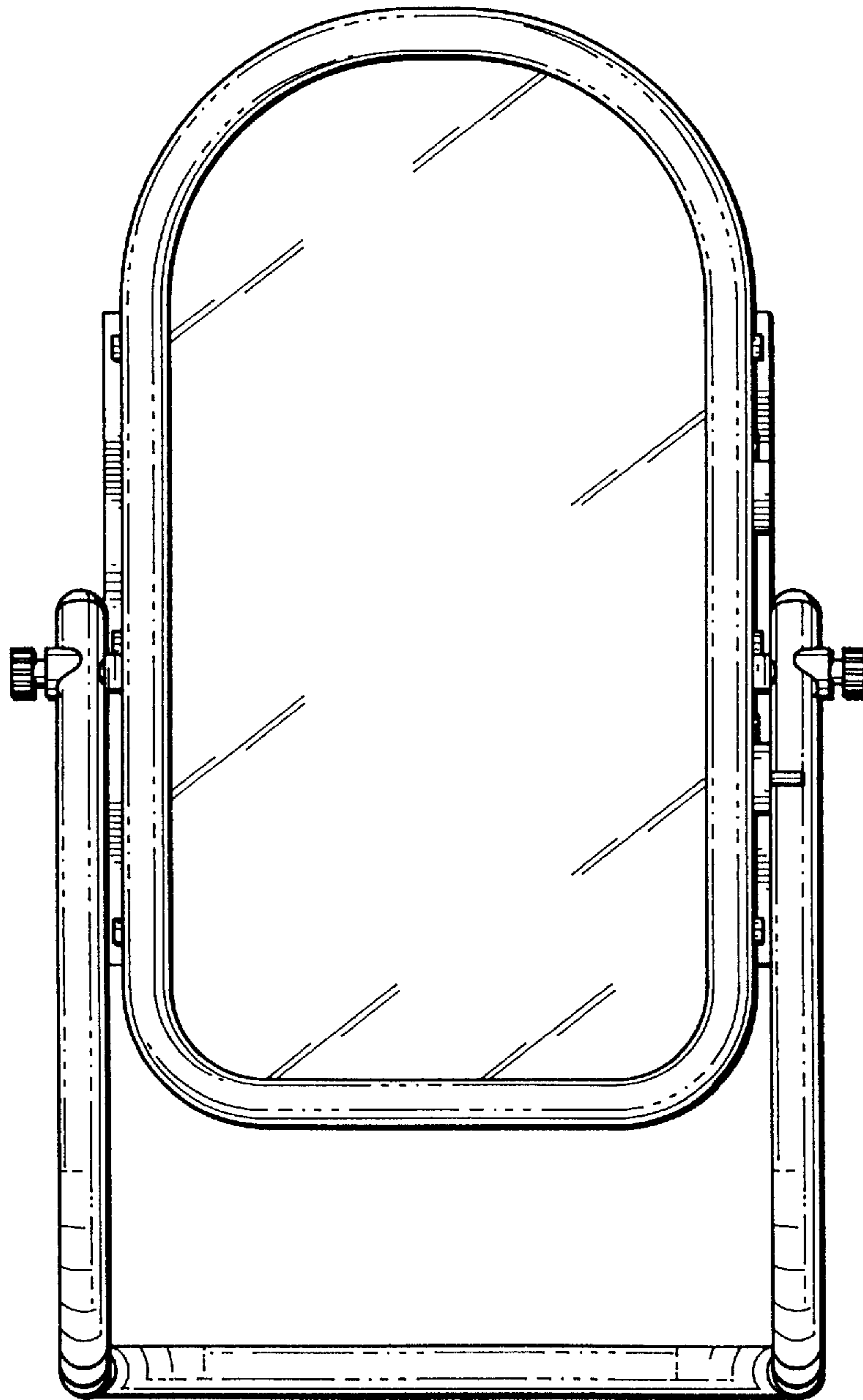


FIG. 3

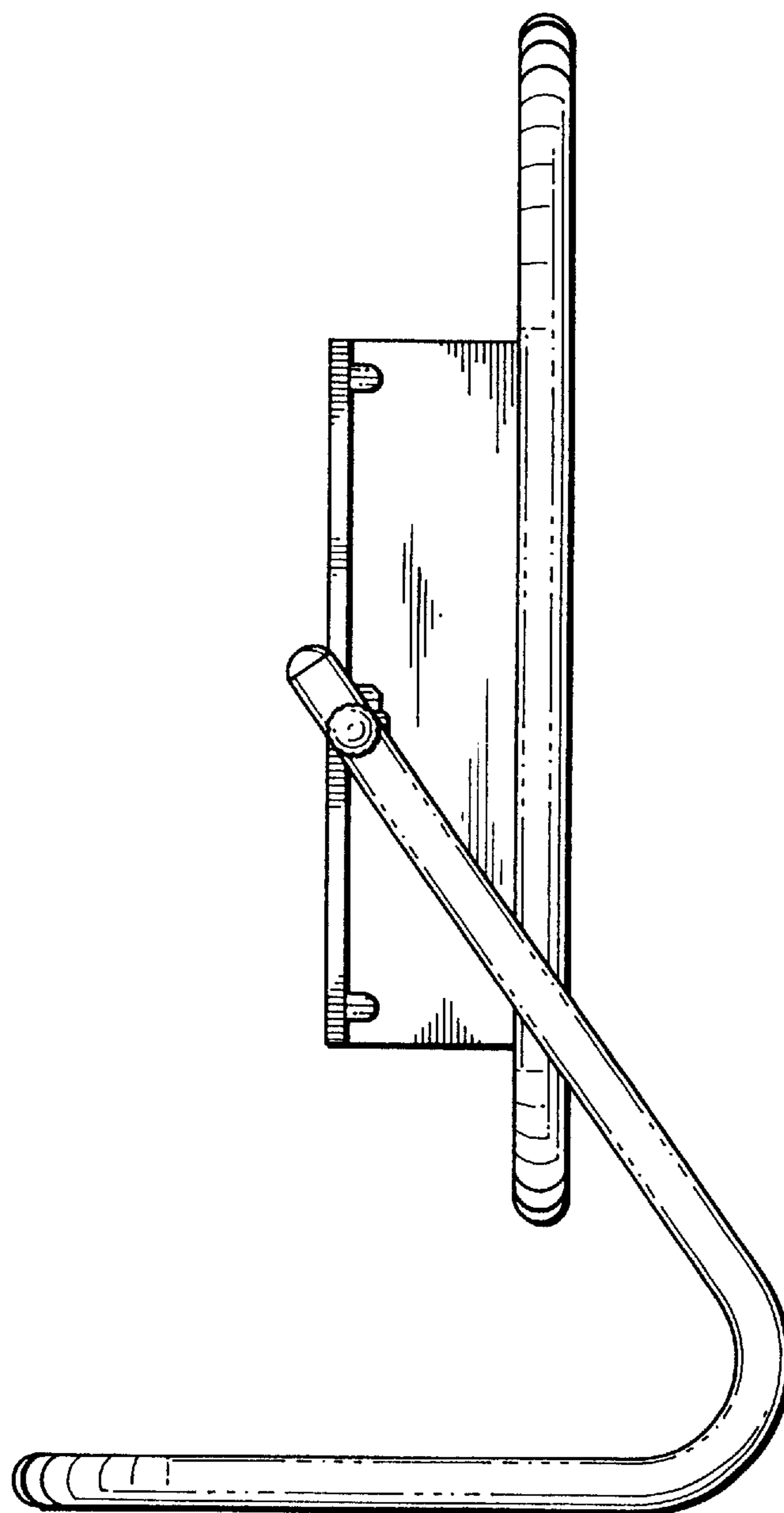


FIG. 4

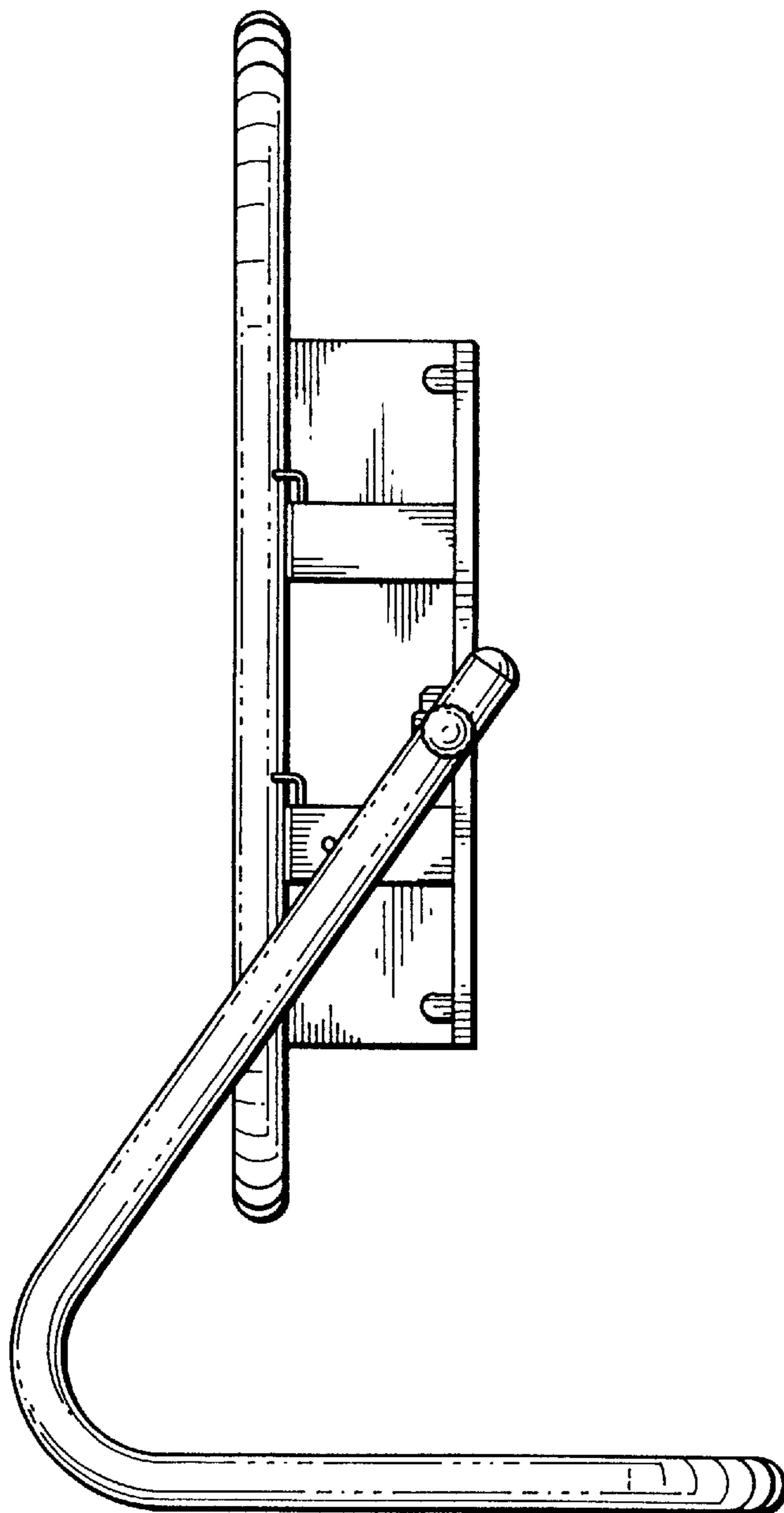


FIG. 5

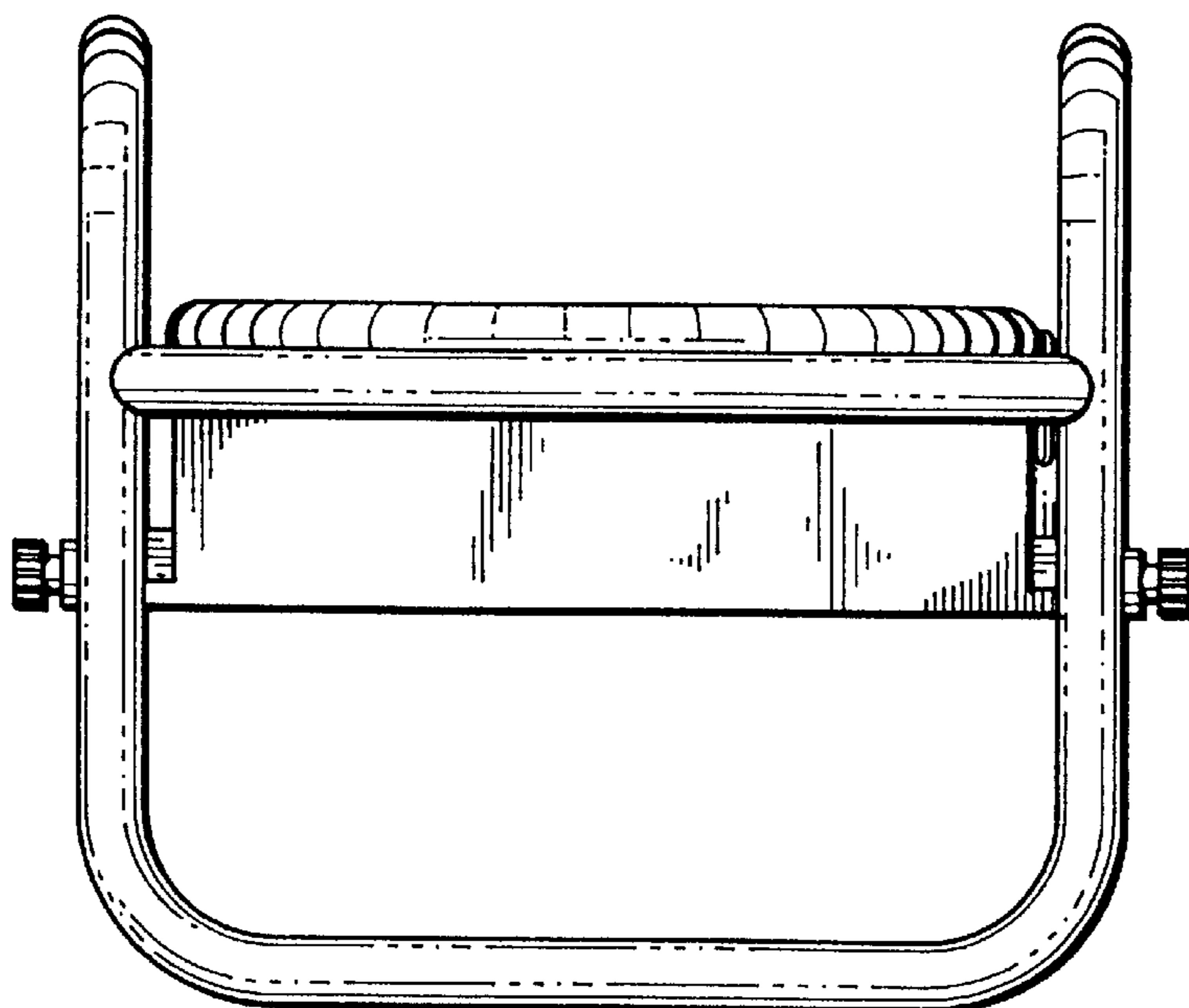
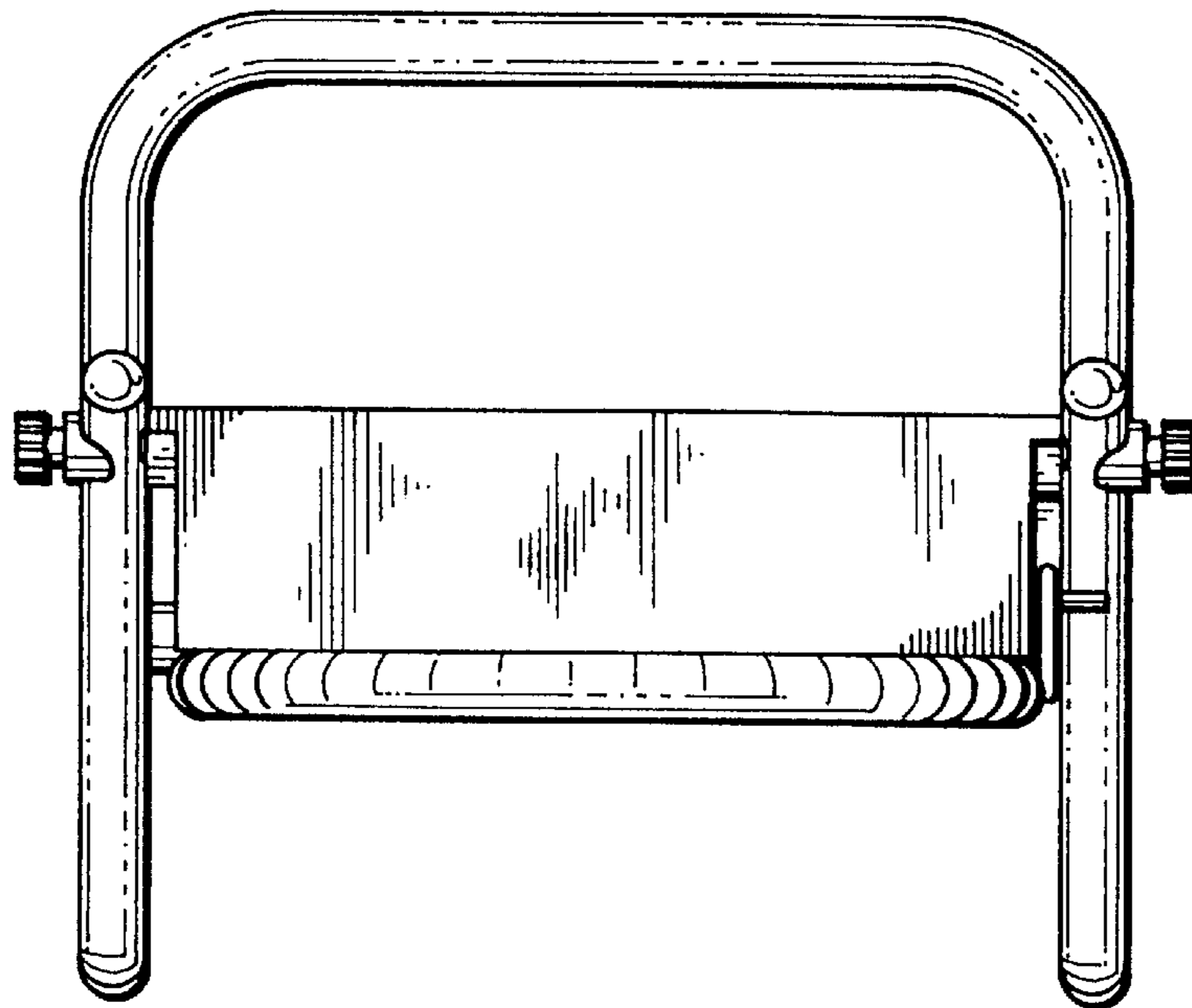


FIG. 6

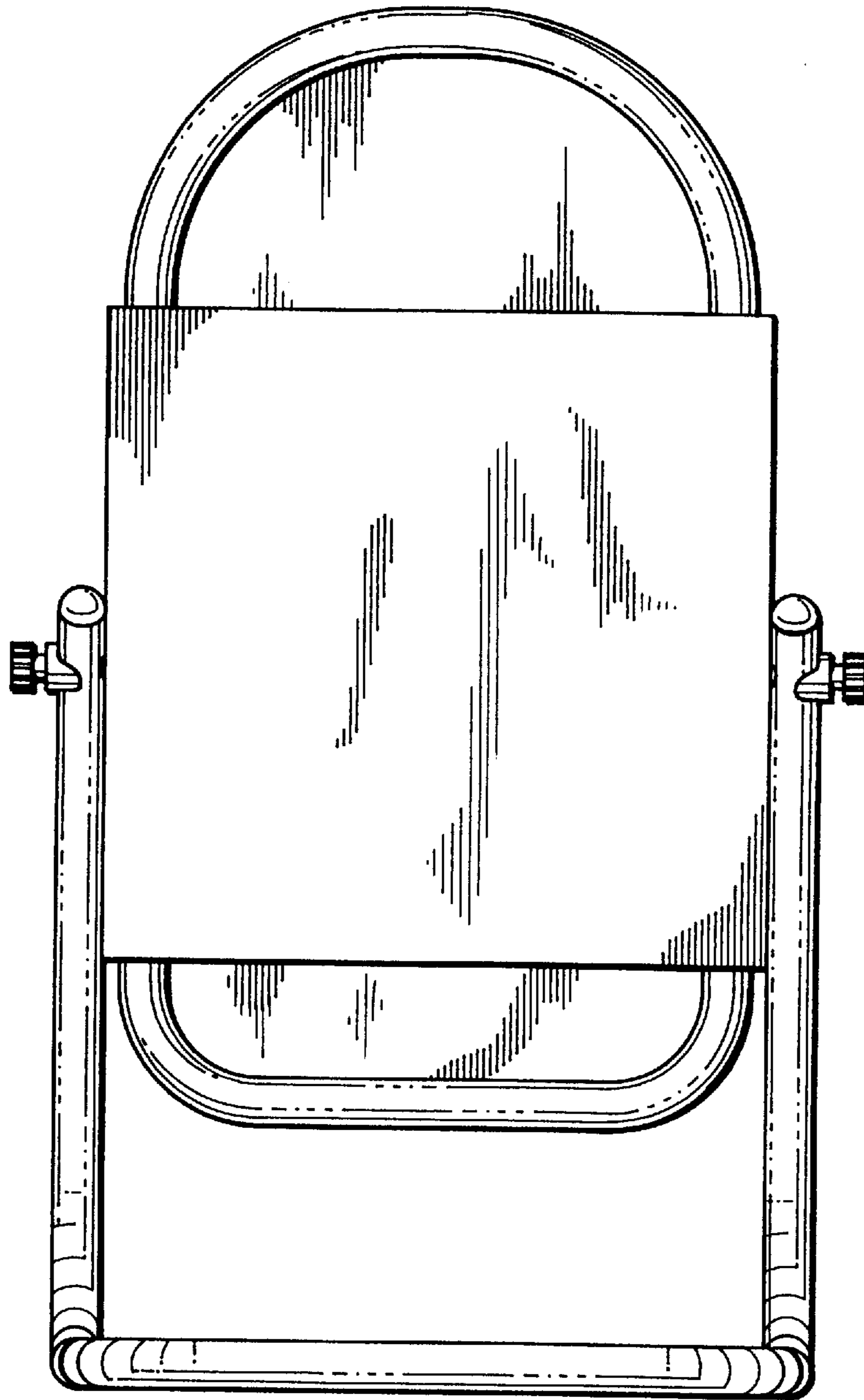


FIG. 7

FIG. 8

