



US00D395550S

# United States Patent [19] Moskovich

[11] **Patent Number: Des. 395,550**

[45] **Date of Patent: \*\*Jun. 30, 1998**

[54] **TOOTHBRUSH HANDLE**

[75] Inventor: **Robert Moskovich**, East Brunswick, N.J.

[73] Assignee: **Colgate-Palmolive Company**, New York, N.Y.

[\*\*] Term: **14 Years**

[21] Appl. No.: **74,464**

[22] Filed: **Jul. 31, 1997**

### Related U.S. Application Data

[62] Division of Ser. No. 52,004, Apr. 4, 1996, Pat. No. Des. 386,005.

[51] **LOC (6) Cl. .... 04-02**

[52] **U.S. Cl. .... D4/104**

[58] **Field of Search** ..... D4/104-112, 132-134, D4/136, 138; 15/143.1, 159.1, 167.1, 167.2, 186, 187; 132/308, 309

### [56] References Cited

#### U.S. PATENT DOCUMENTS

D. 123,388 11/1940 Duey ..... D4/104

D. 257,192 10/1980 Moses ..... D4/104

D. 258,143 2/1981 Flick ..... D4/104  
D. 334,474 4/1993 Saucedo ..... D4/104  
2,263,885 11/1941 McGauley ..... 15/143.1  
2,618,801 11/1952 Hibbs ..... 15/167.1  
4,788,734 12/1988 Bauer ..... 15/167.1 X

*Primary Examiner*—Alan P. Douglas  
*Assistant Examiner*—Lavone D. Tabor

### [57] CLAIM

The ornamental design for a toothbrush handle, as shown and described.

### DESCRIPTION

FIG. 1 is a top plan view of a toothbrush handle showing my new design;  
FIG. 2 is a left side elevational view thereof, the right side being a mirror image;  
FIG. 3 is a bottom plan view thereof;  
FIG. 4 is an enlarged elevational view as seen from the head end thereof;  
FIG. 5 is an elevational view of the opposite end of FIG. 4;  
FIG. 6 is an enlarged top perspective view thereof; and,  
FIG. 7 is an enlarged bottom perspective view thereof.  
The broken line showing of bristles is for illustrative purposes only and forms no part of the claimed invention.

**1 Claim, 2 Drawing Sheets**

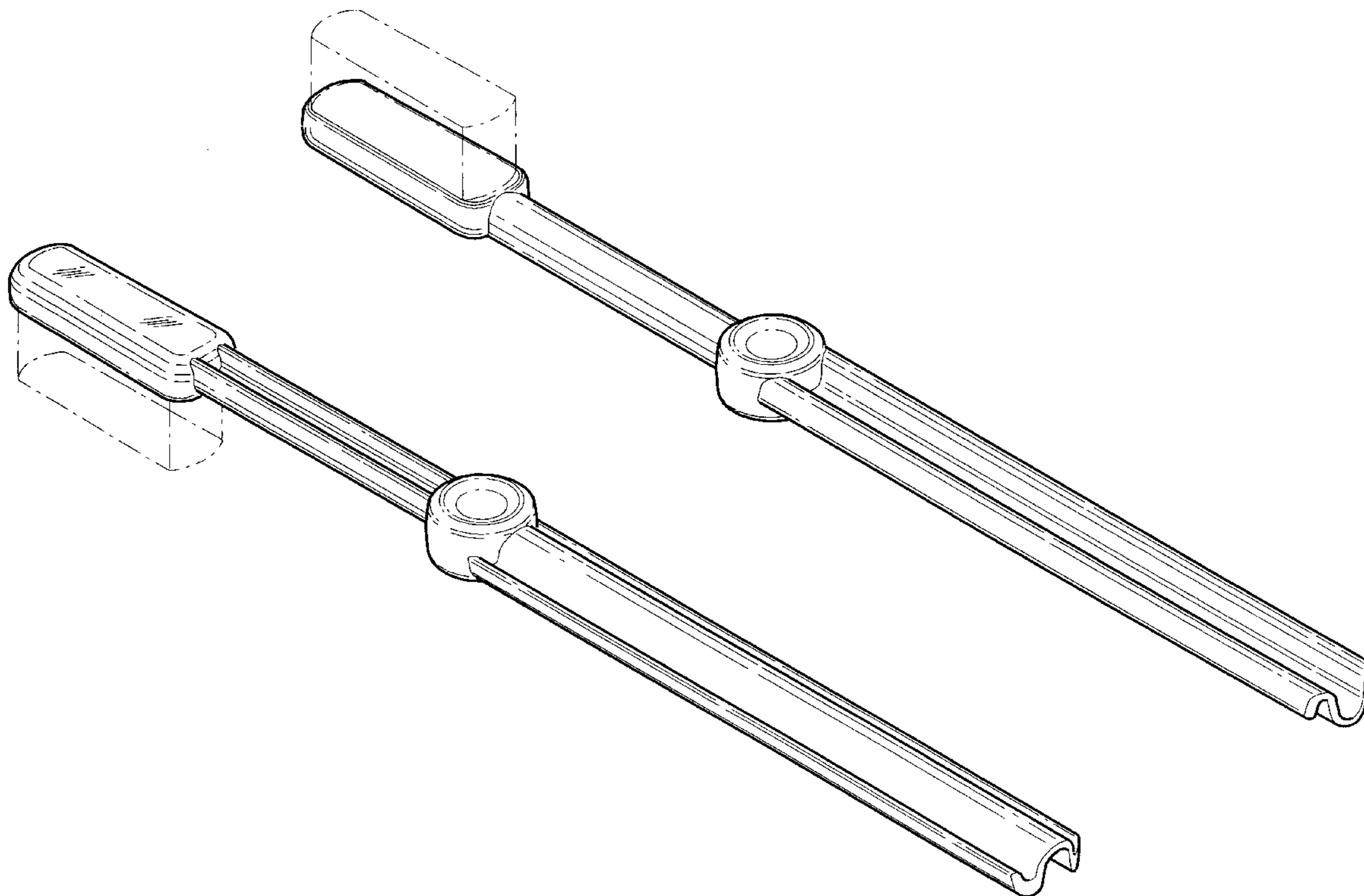


FIG. 1

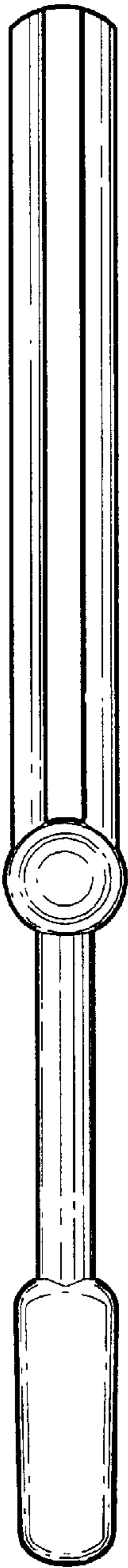


FIG. 2

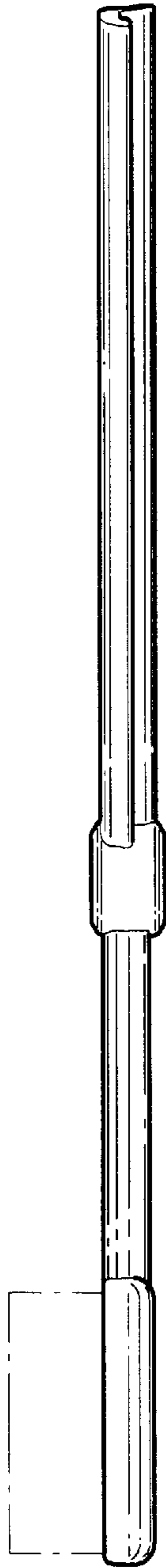


FIG. 3

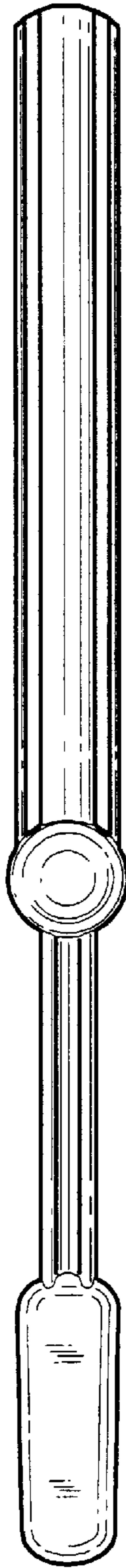


FIG. 4

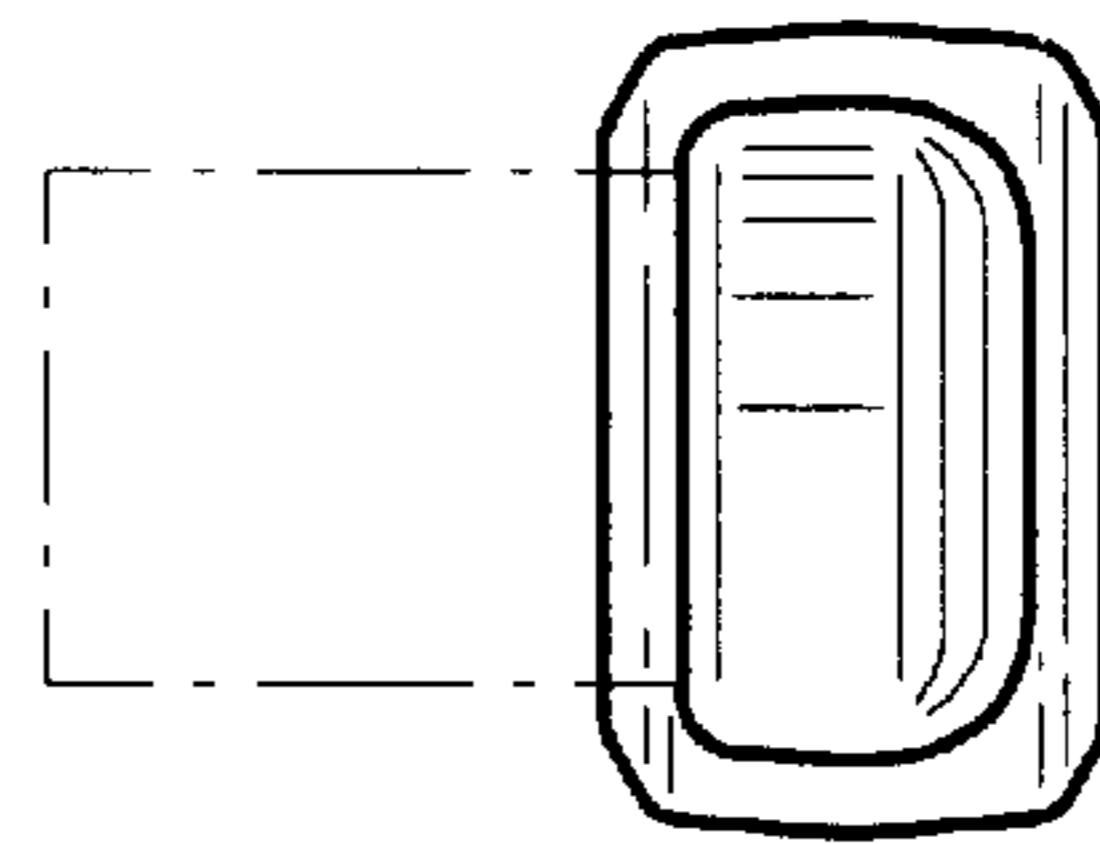
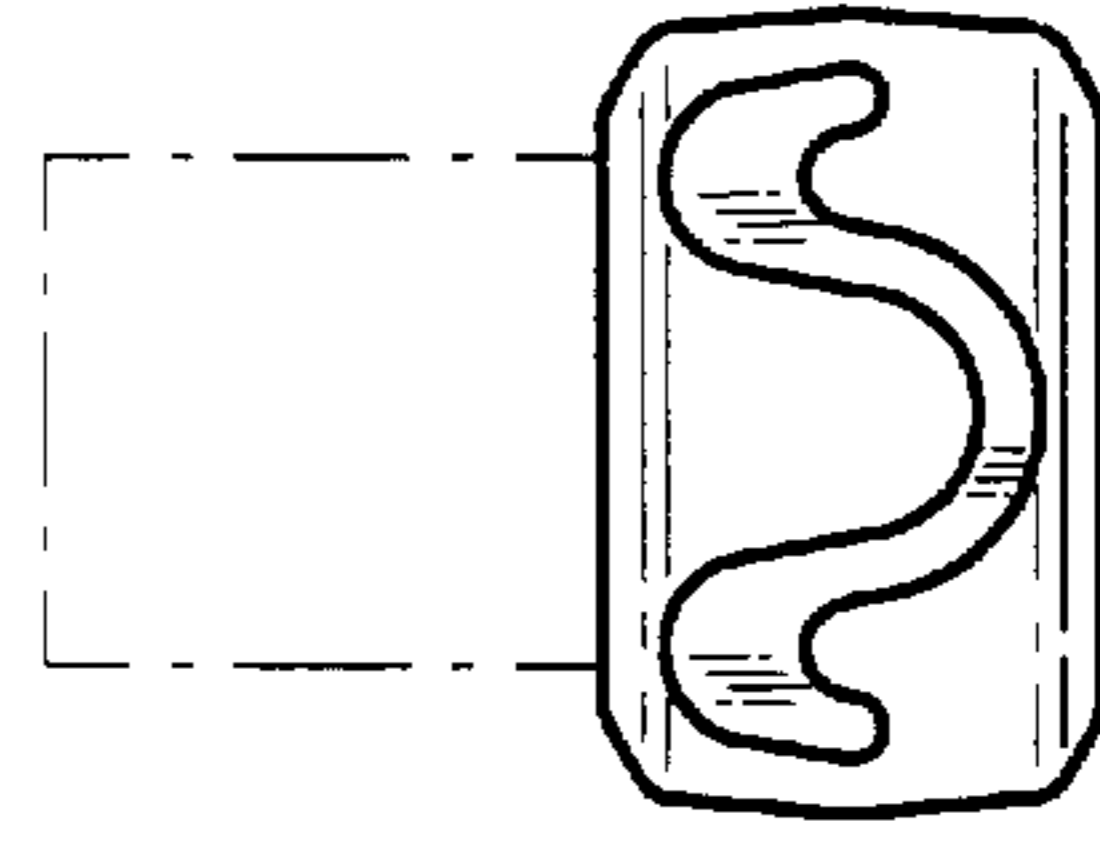


FIG. 5



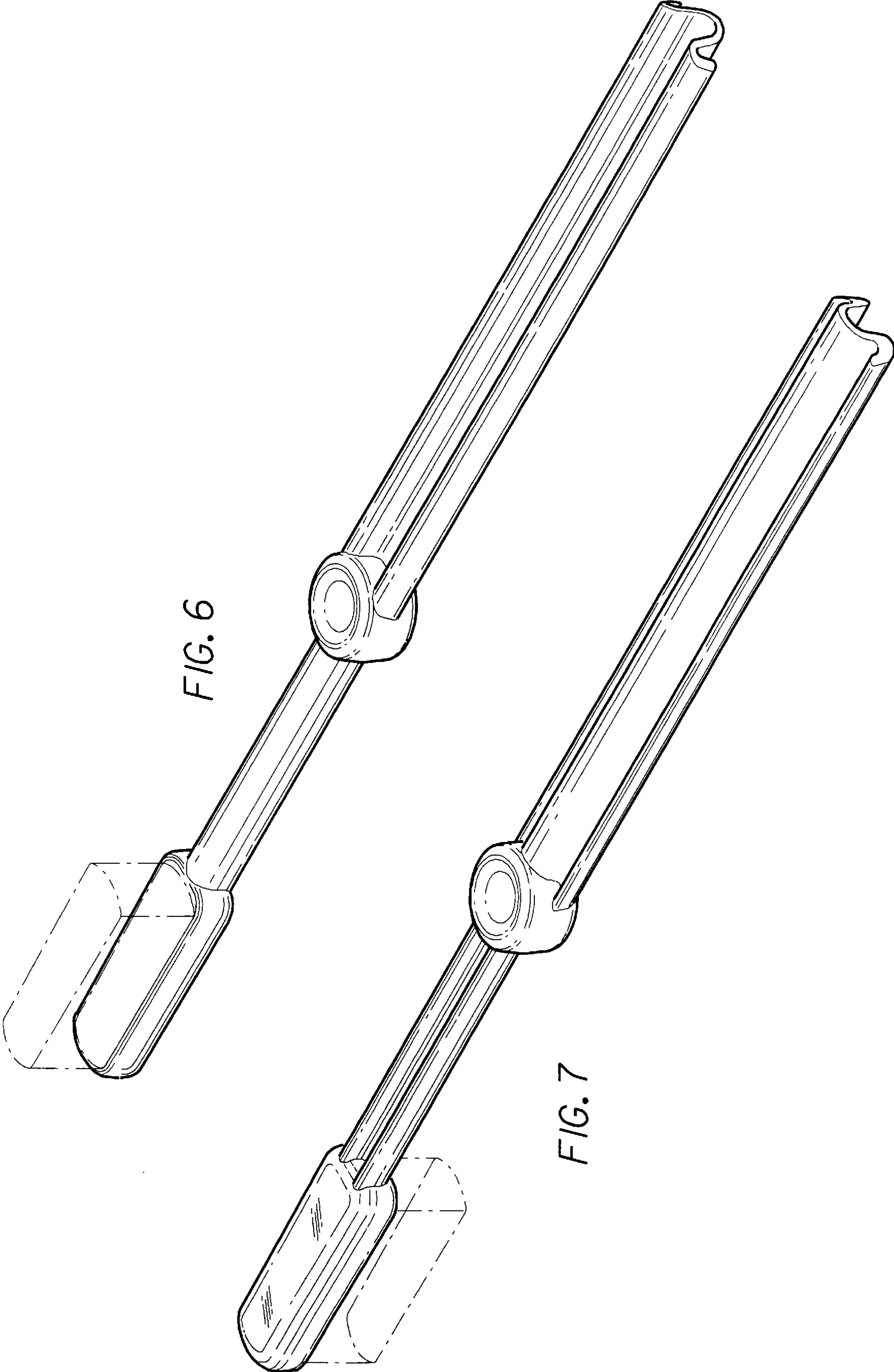


FIG. 6

FIG. 7