



US00D395548S

United States Patent [19]

Morissette

[11] Patent Number: **Des. 395,548**

[45] Date of Patent: ****Jun. 30, 1998**

[54] NESTED RECEPTACLE

[76] Inventor: **Robert Morissette**, 23 Hanson Road,
Mississauga, Ontario, Canada, L5B 2E3

[**] Term: **14 Years**

[21] Appl. No.: **62,531**

[22] Filed: **Nov. 18, 1996**

[51] LOC (6) Cl. **03-01**

[52] U.S. Cl. **D3/307; D3/306; D3/304;**
D7/359; D7/360

[58] Field of Search D7/667, 550, 554,
D7/505, 360, 409, 359; D3/307, 304, 306,
312; 206/514; 220/574; D9/424, 425, 429

[56] **References Cited**

U.S. PATENT DOCUMENTS

162,617	4/1875	Brightman	D7/360 X
D. 234,488	3/1975	Wiebe et al.	D9/424 X
D. 330,314	10/1992	Ruth	D7/667
D. 340,614	10/1993	Kaeding	D7/409 X

D. 365,495	12/1995	O'Higgins	D7/409 X
573,045	12/1896	Snyder	D7/359 X
1,143,644	6/1915	Moore	D7/667 X
3,091,339	5/1963	Marra et al.	D7/667 X
3,994,212	11/1976	Wong	D7/359 X
4,291,616	9/1981	Taylor	D7/359 X

Primary Examiner—M. N. Pandozzi
Attorney, Agent, or Firm—Eugene J. A. Gierczak

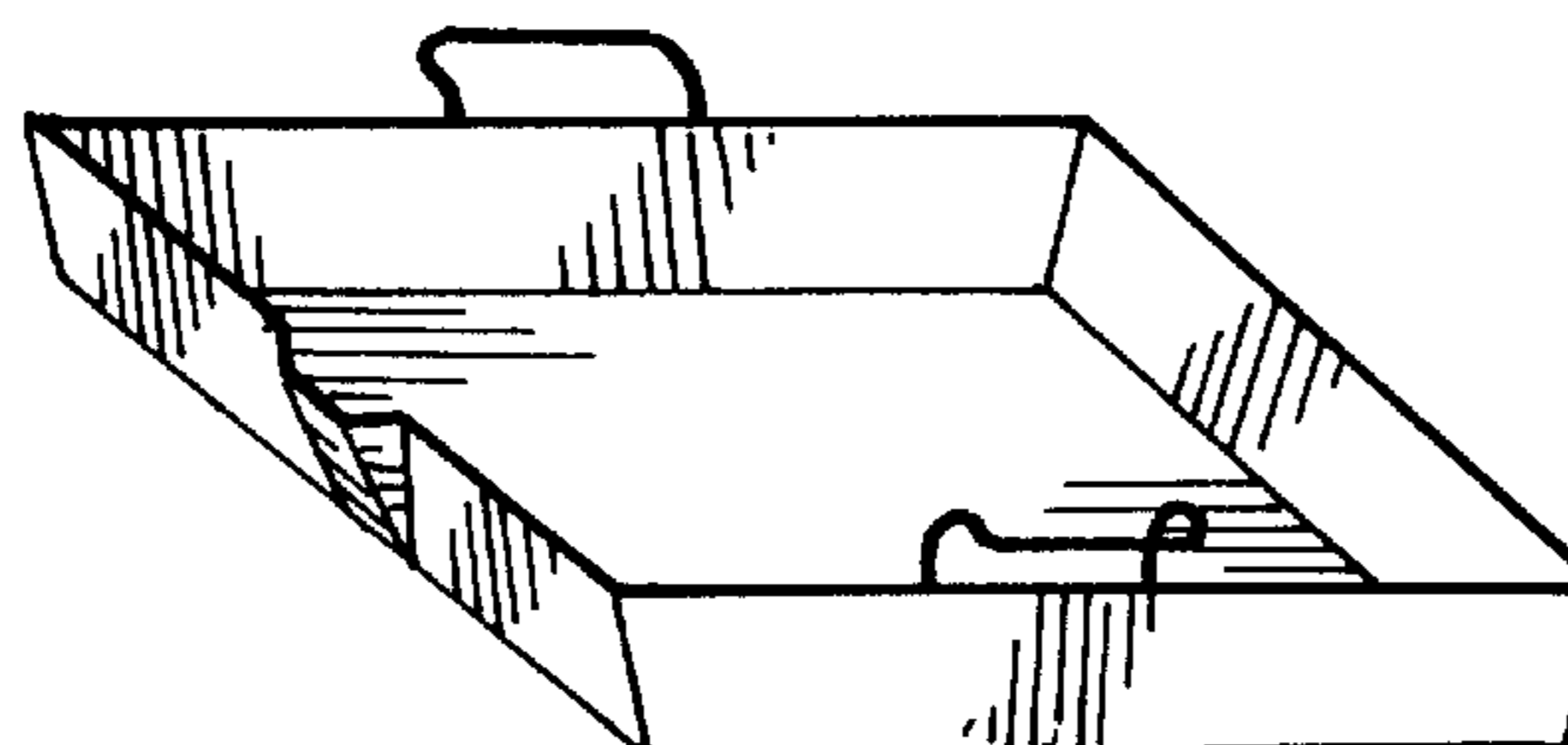
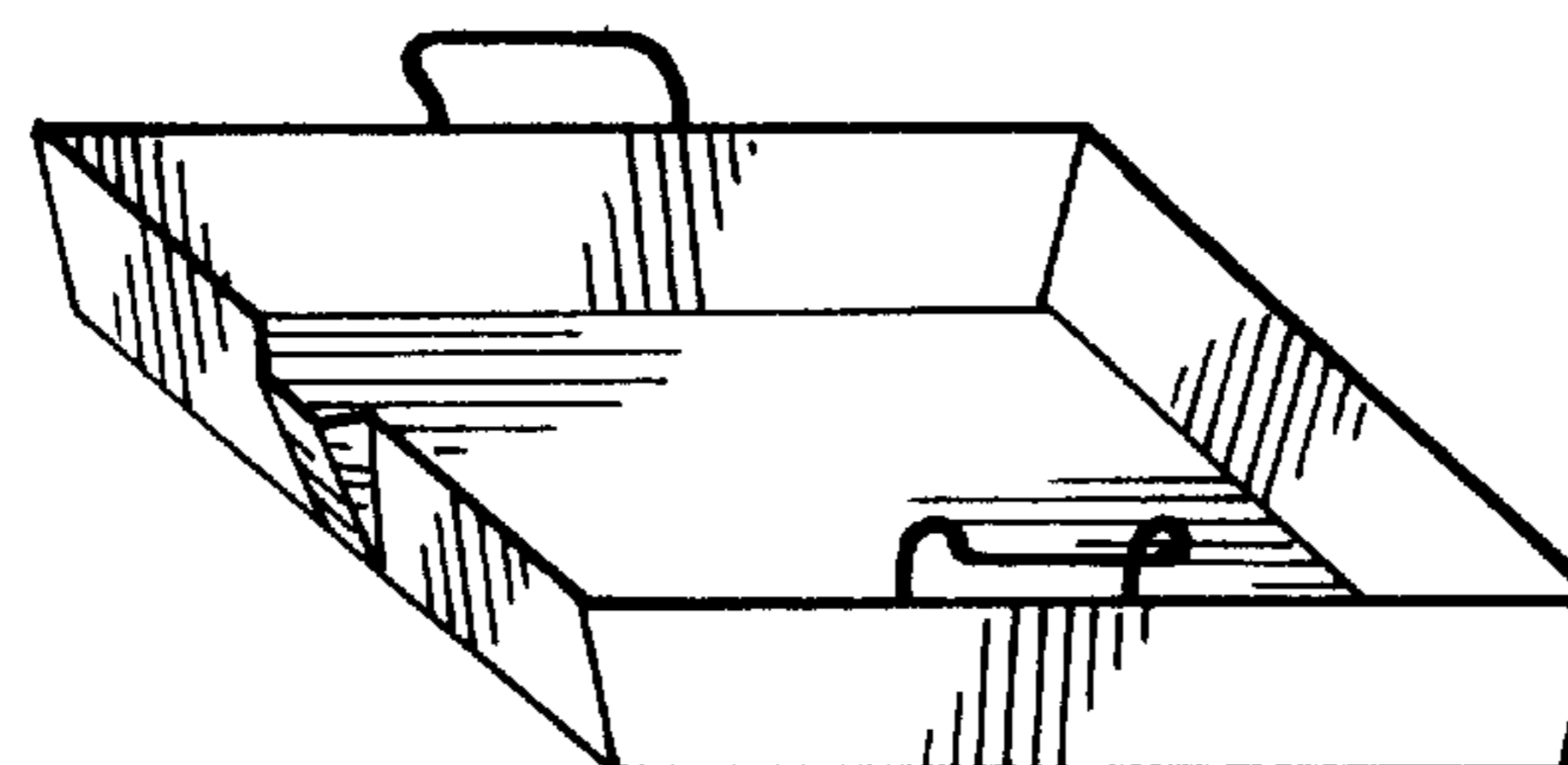
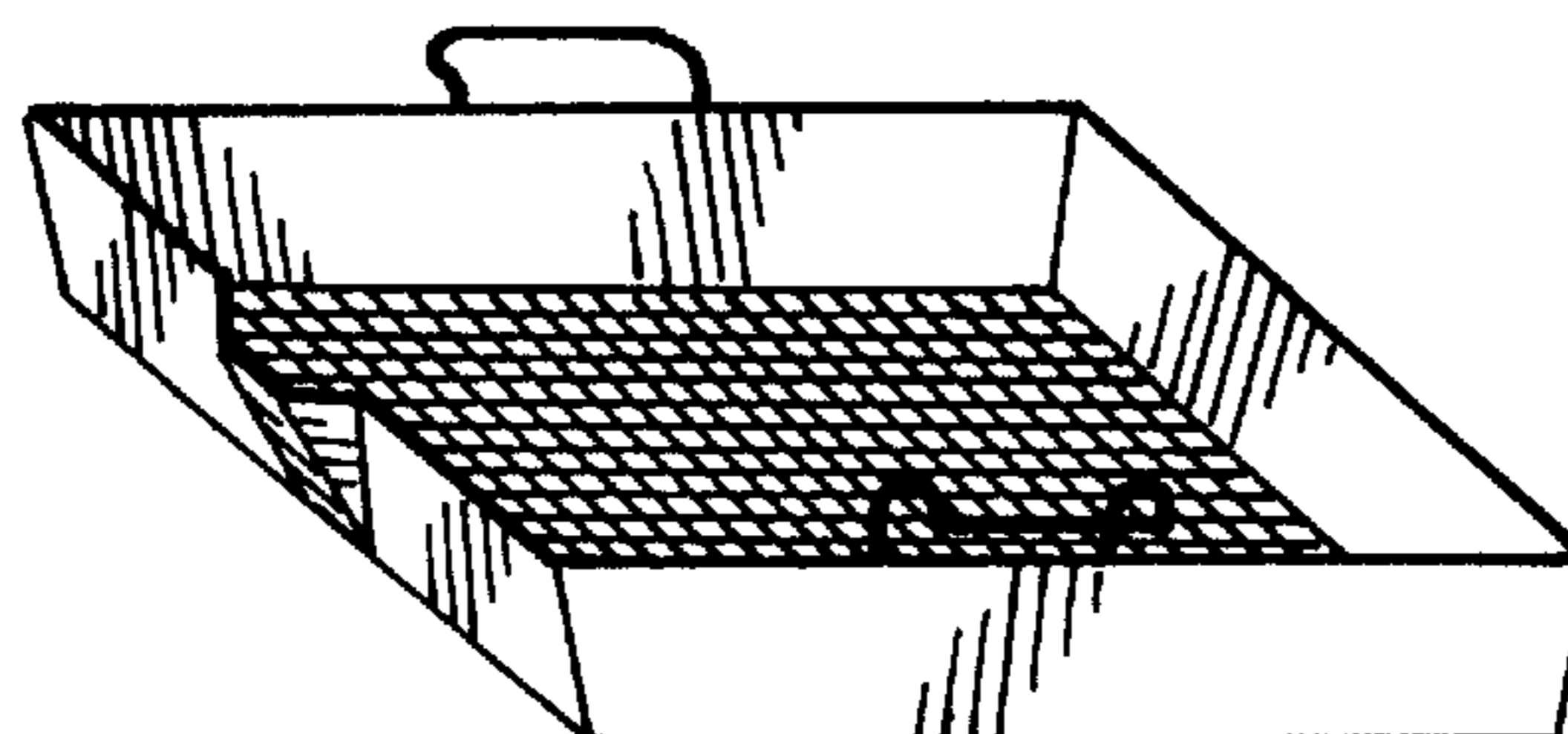
[57] **CLAIM**

The ornamental design for a “nested receptacle”, as shown and described.

DESCRIPTION

FIG. 1 is an exploded perspective view of a nested receptacle showing my new design;
FIG. 2 is an assembled perspective view thereof;
FIG. 3 is a top plan view thereof;
FIG. 4 is a front elevational view thereof;
FIG. 5 is a bottom plan view thereof; and,
FIG. 6 is a side elevational view thereof.

1 Claim, 2 Drawing Sheets



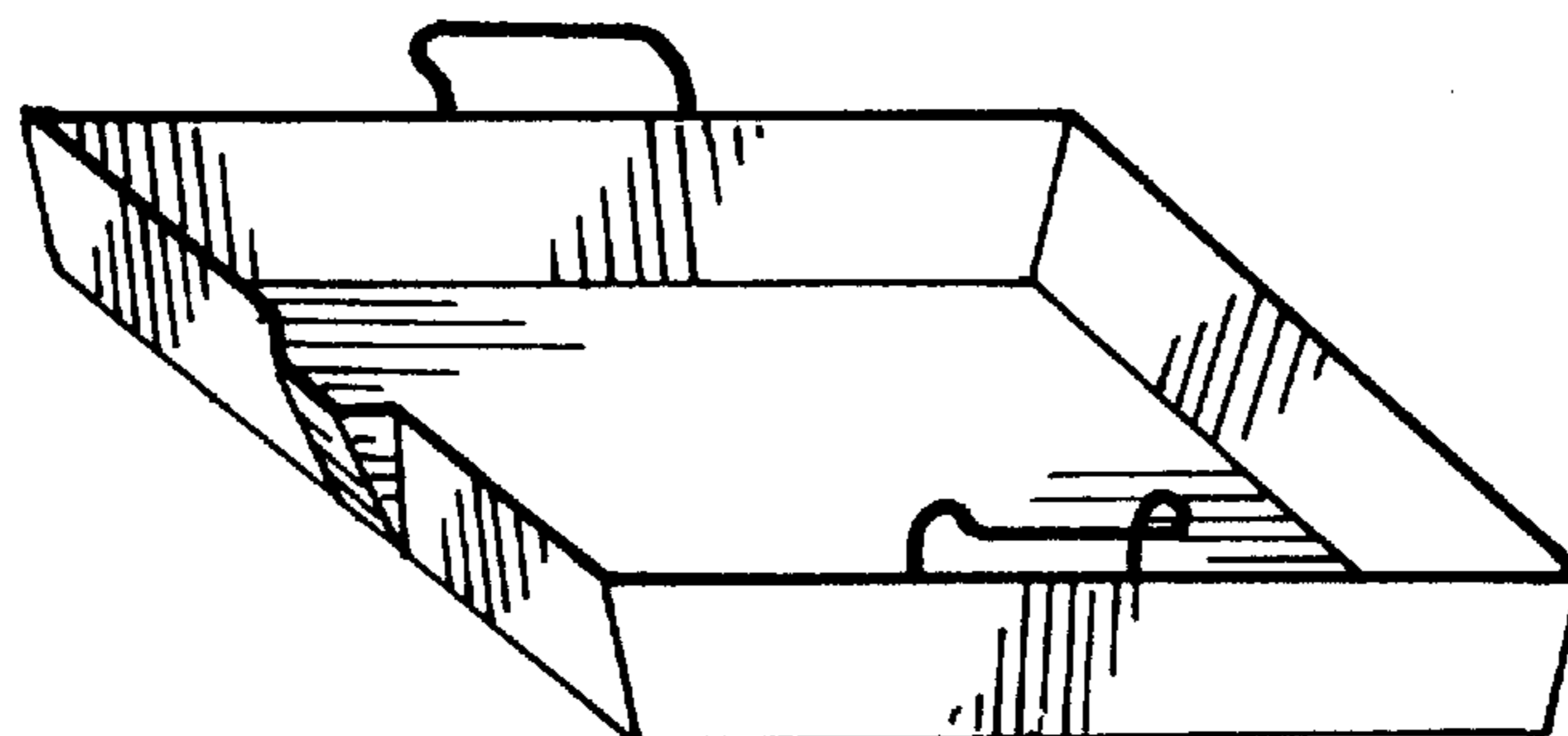
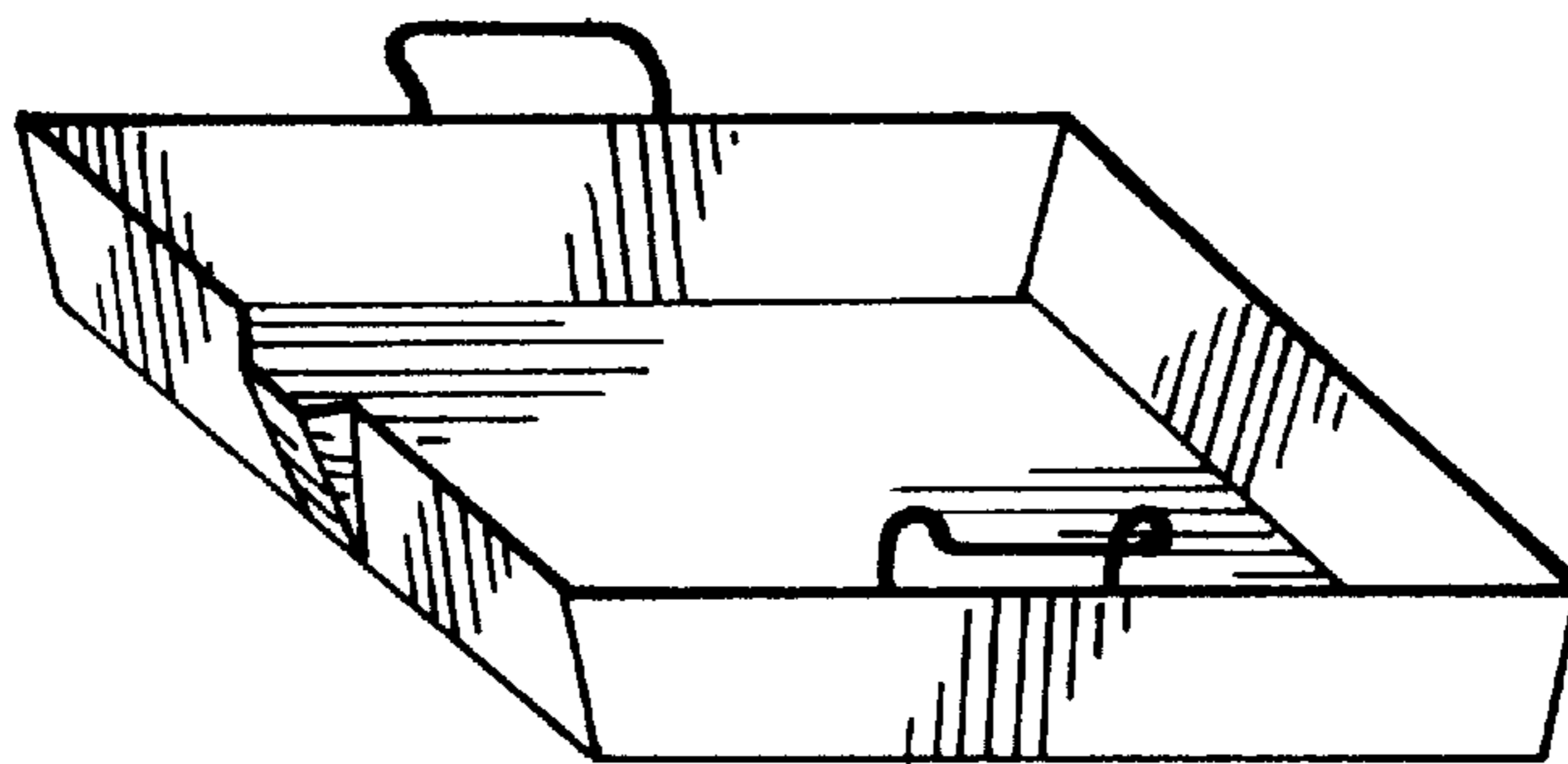
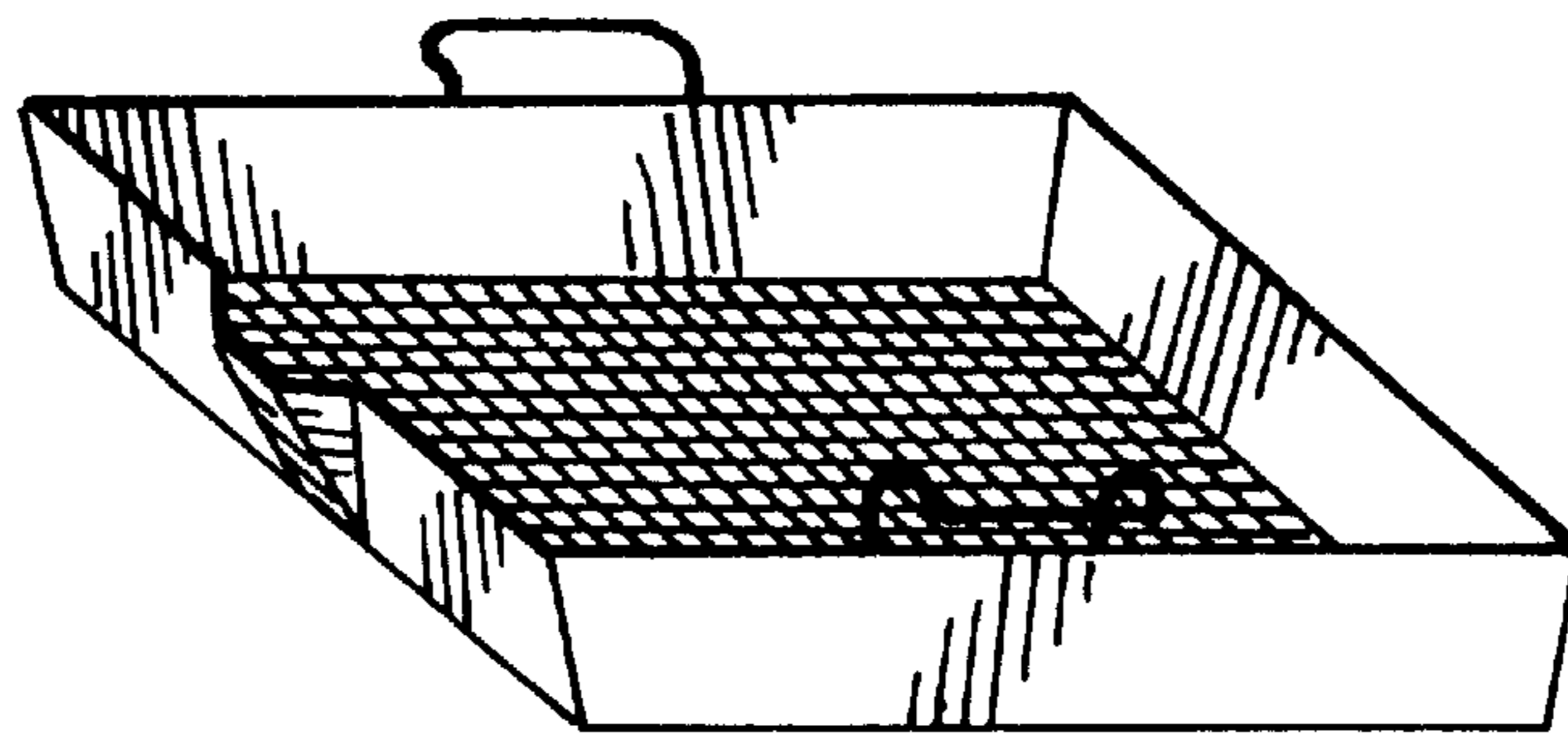


FIG. 1

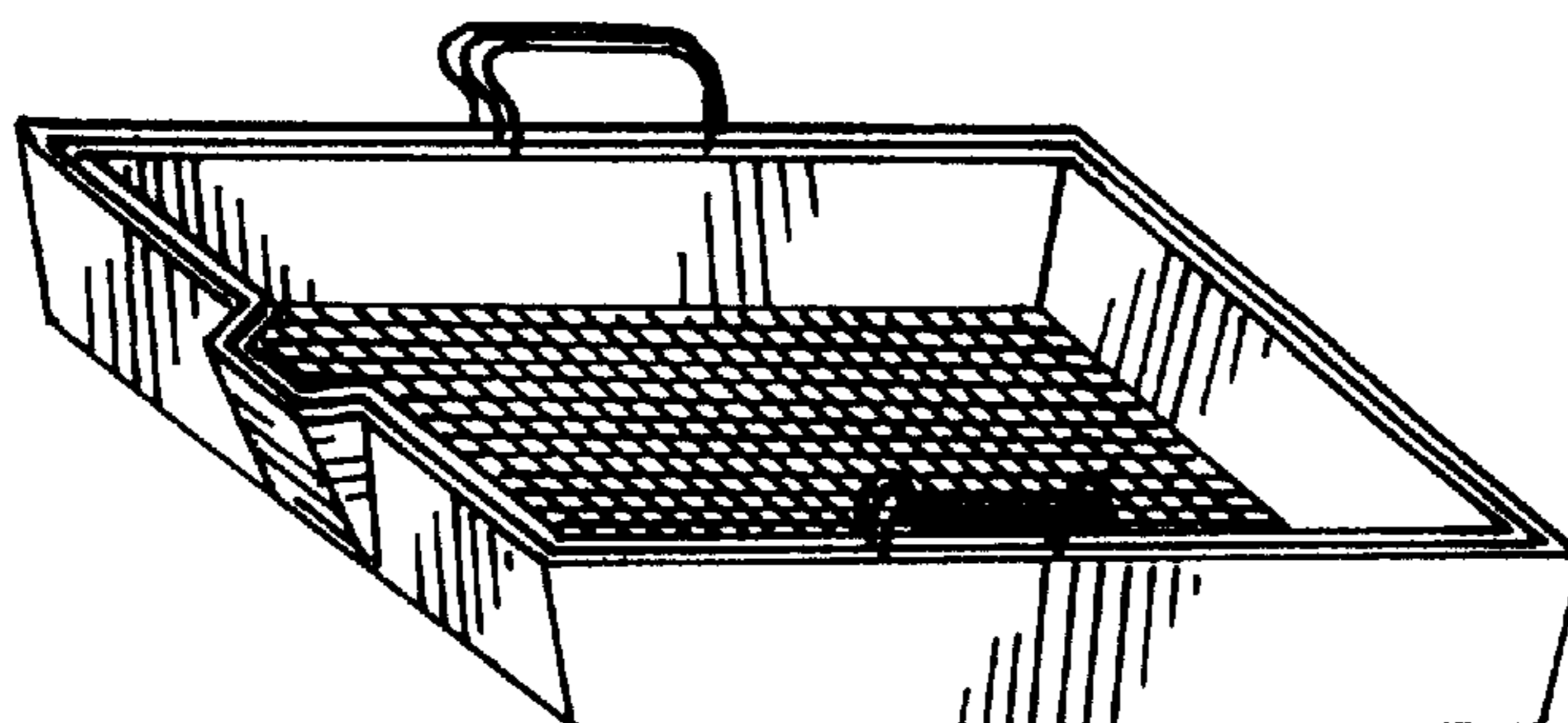


FIG. 2

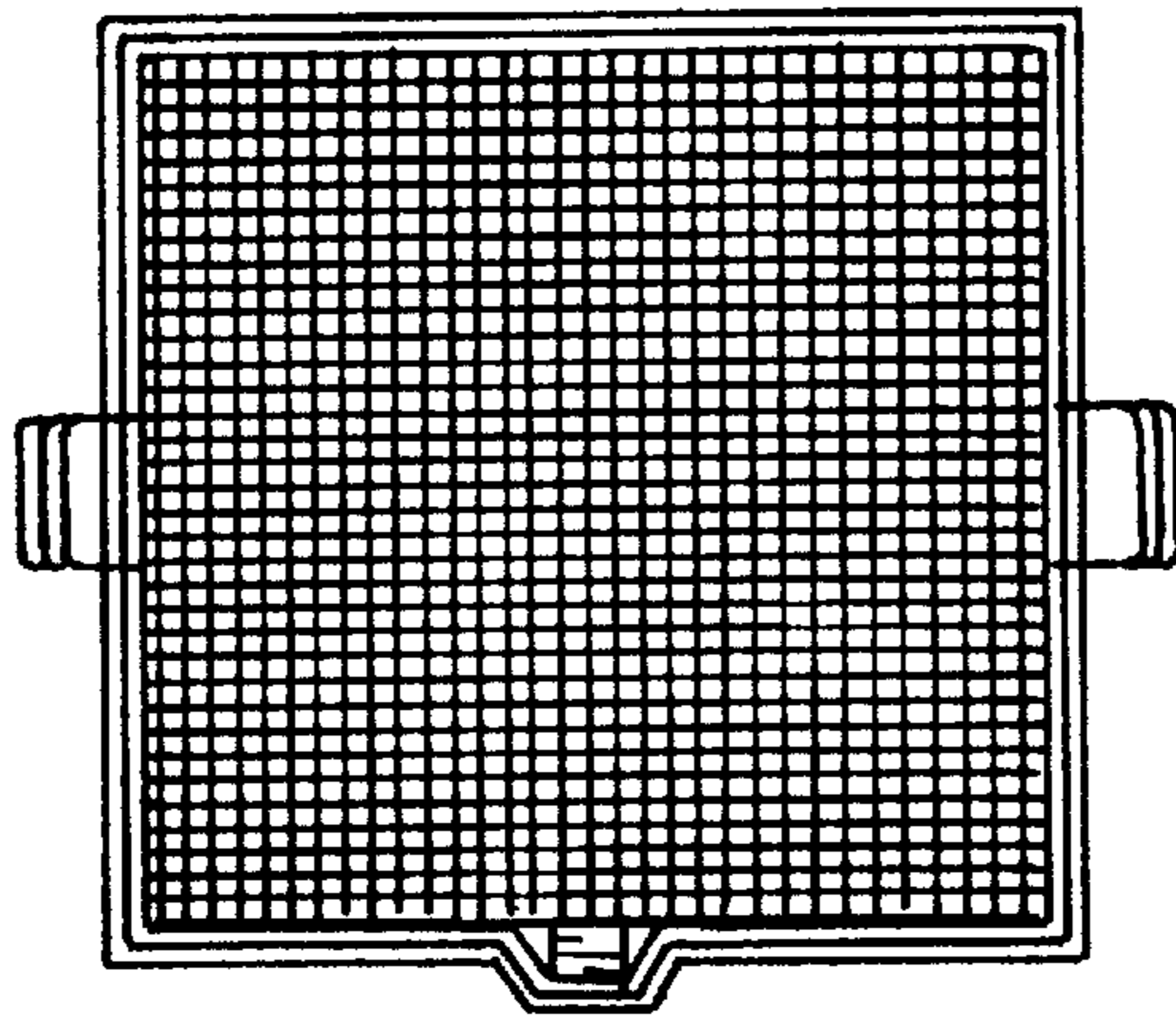


FIG. 3

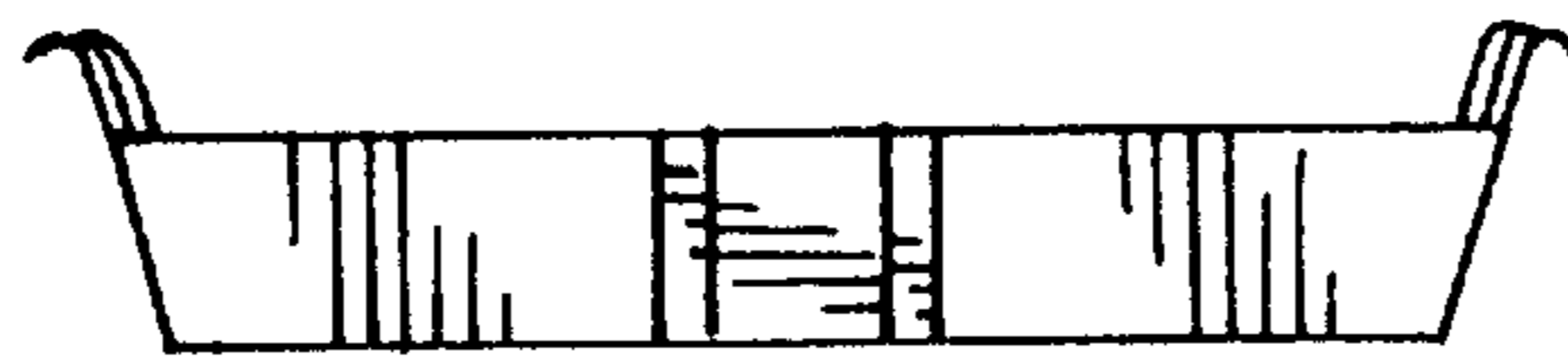


FIG. 4

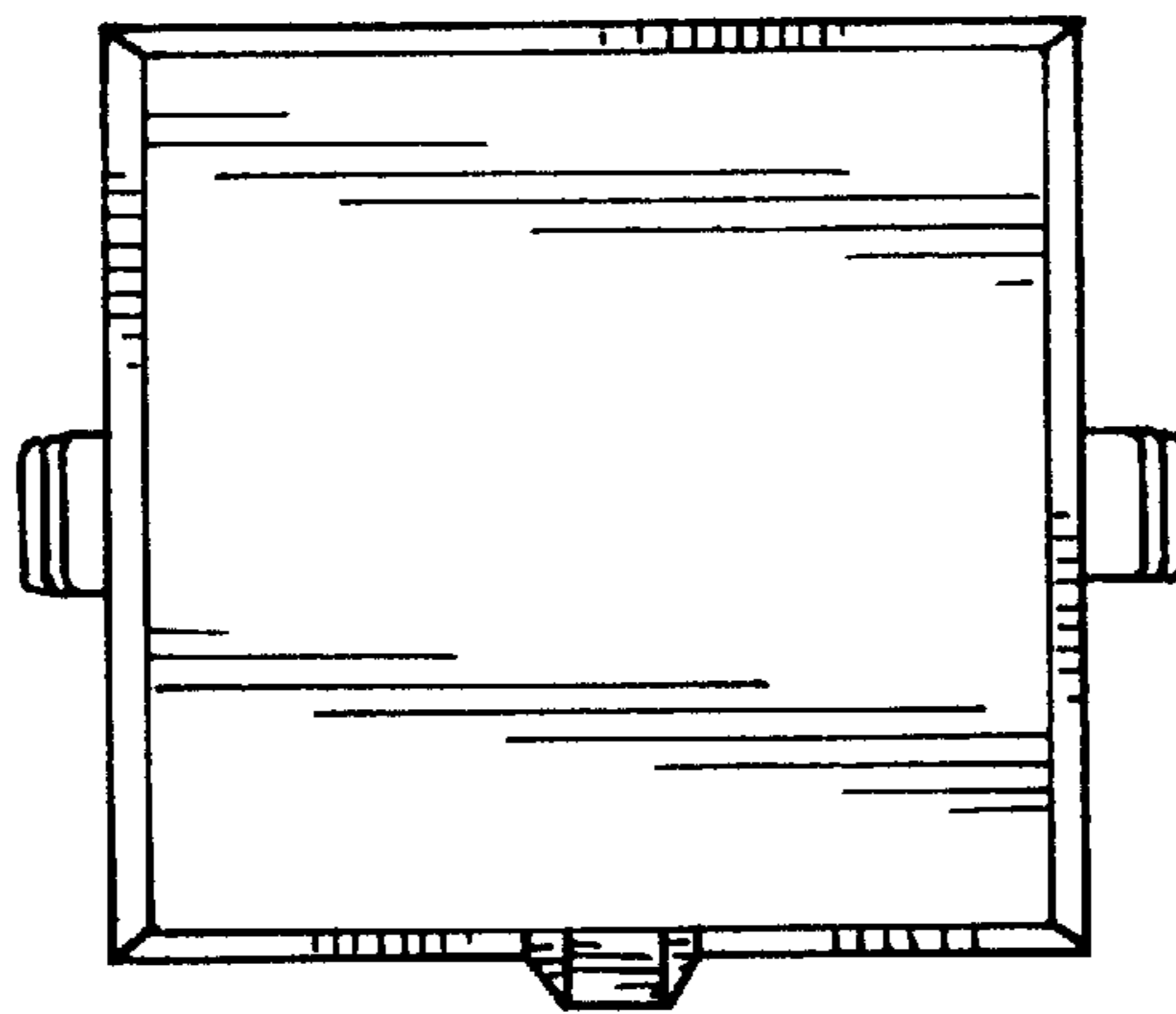


FIG. 5



FIG. 6