



US00D395539S

**United States Patent** [19]  
**DiPietro**

[11] **Patent Number: Des. 395,539**  
[45] **Date of Patent: \*\*\*Jun. 30, 1998**

[54] **TROPIC TRAVELER SHIRT**

FOREIGN PATENT DOCUMENTS

[76] **Inventor: Stephen B. DiPietro, 6345 SW. 34th St., Miami, Fla. 33155**

1540344 4/1968 France ..... 2/70

[\*] **Notice:** The portion of the term of this patent subsequent to Oct. 21, 2011, has been disclaimed.

*Primary Examiner*—Louis S. Zarfes  
*Assistant Examiner*—Monica A. Weingart  
*Attorney, Agent, or Firm*—William F. Hamrock

[\*\*] **Term: 14 Years**

[57] **CLAIM**

The ornamental design for a tropic traveler shirt, as shown and described.

[21] **Appl. No.: 56,245**

**DESCRIPTION**

[22] **Filed: Jun. 18, 1996**

**Related U.S. Application Data**

[63] **Continuation of Ser. No. 27,204, Aug. 16, 1994, abandoned.**

[51] **LOC (6) Cl. .... 02-02**

[52] **U.S. Cl. .... D2/849; D2/840; D2/847; D2/848**

[58] **Field of Search .... D2/728, 743, 823, D2/840, 841, 842, 848, 849, 857; 2/60, 69, 69.5, 70, 80, 83, 84, 88, 93, 94, 102, 113, 115, 123, 227, 247**

FIG. 1 is a front elevational view of a tropic traveler shirt showing my new design having inwardly tilting upper pocket with snap element and increasingly separated snap elements down the front of the shirt;

FIG. 2 is a rear elevational view thereof showing vents at the sleeves, side vents with opposing snap elements, vents at cuffs with snap elements on the cuffs and small loop at center of horizontal seam;

FIG. 3 is a top right front perspective view thereof;

FIG. 4 is a top right rear perspective view thereof;

FIG. 5 is a left side elevational view thereof;

FIG. 6 is a right side elevational view thereof;

FIG. 7 is a top plan view thereof; and,

FIG. 8 is a bottom plan view thereof.

The broken lines shown on the pocket are understood to represent conventional stitching.

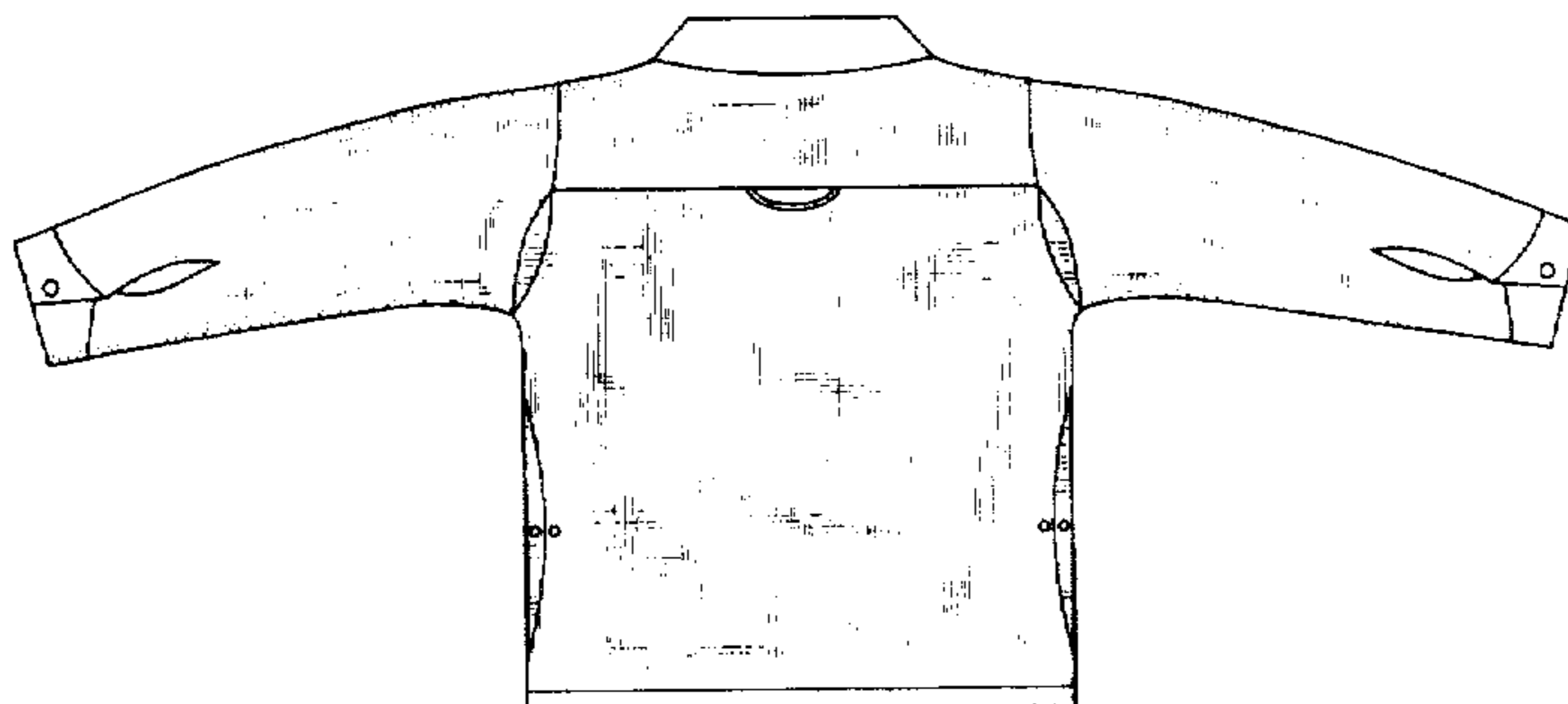
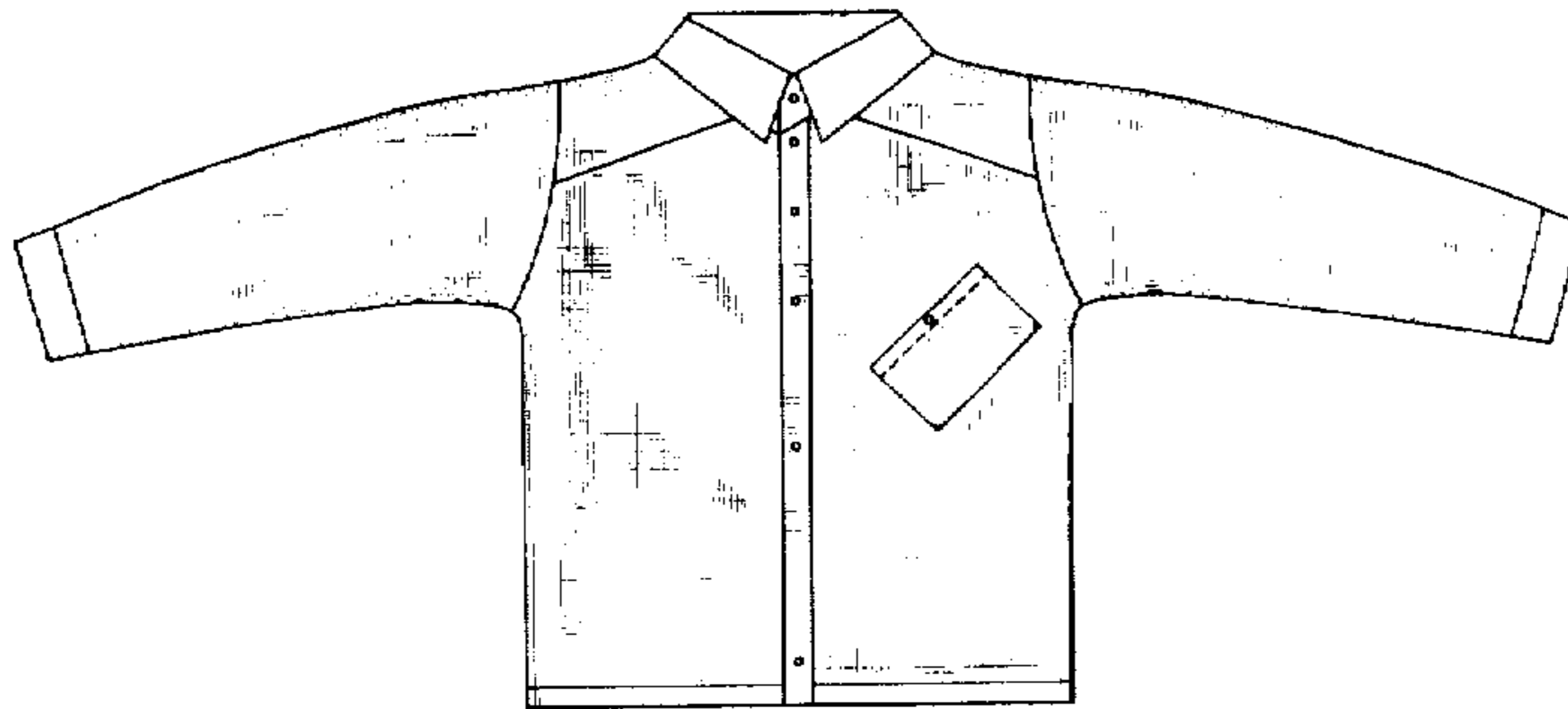
Line shading shown at the side vents, at the sleeve vents and at the cuff vents are understood to represent openings in the shirt.

[56] **References Cited**

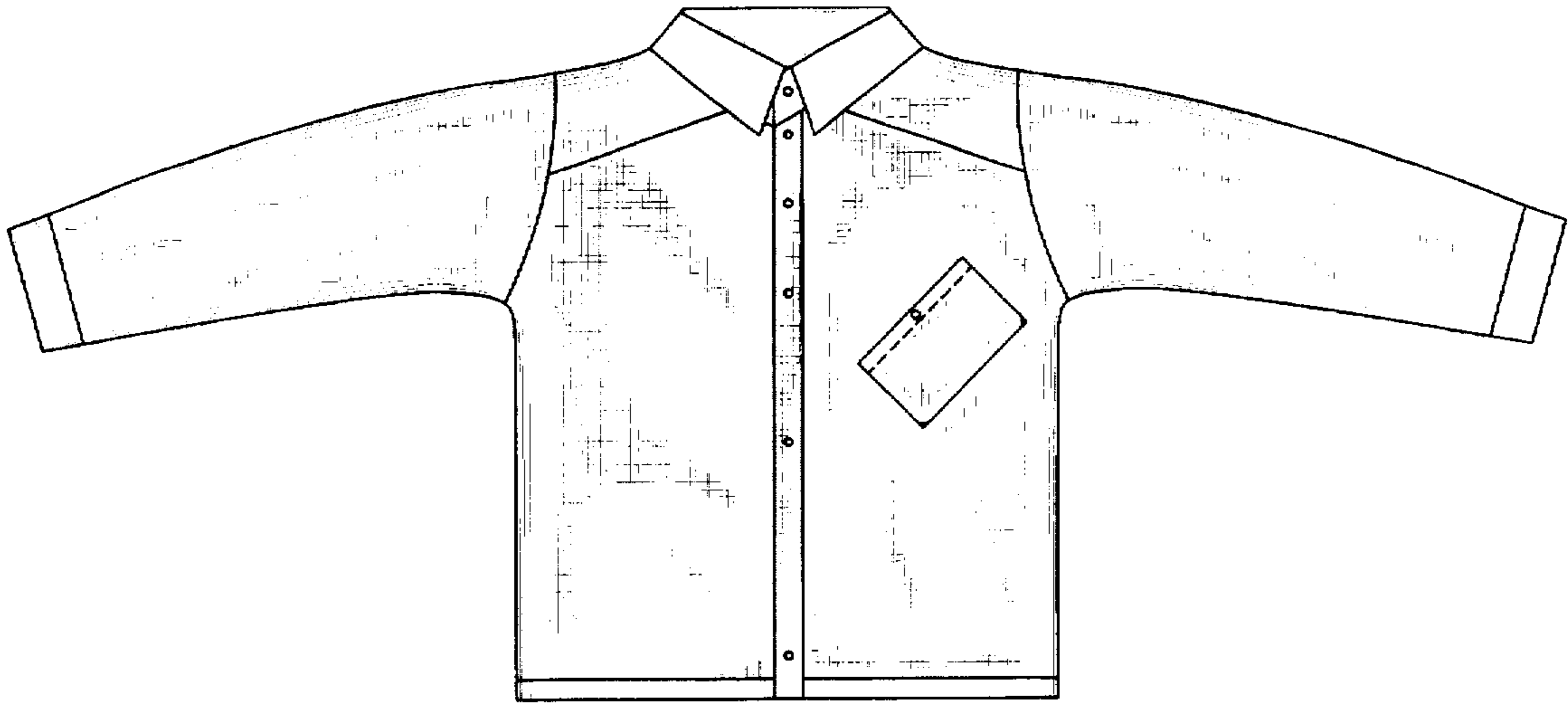
**U.S. PATENT DOCUMENTS**

D. 158,416	5/1950	Spector	.....	D2/848
D. 276,284	11/1984	Denhoff	.....	D2/849
914,955	3/1909	Jaffé	.....	2/115
2,042,629	6/1936	Ransom	.....	2/115
2,094,643	10/1937	Fellroth	.....	2/115
2,340,626	2/1944	Strenger et al.	.....	2/115

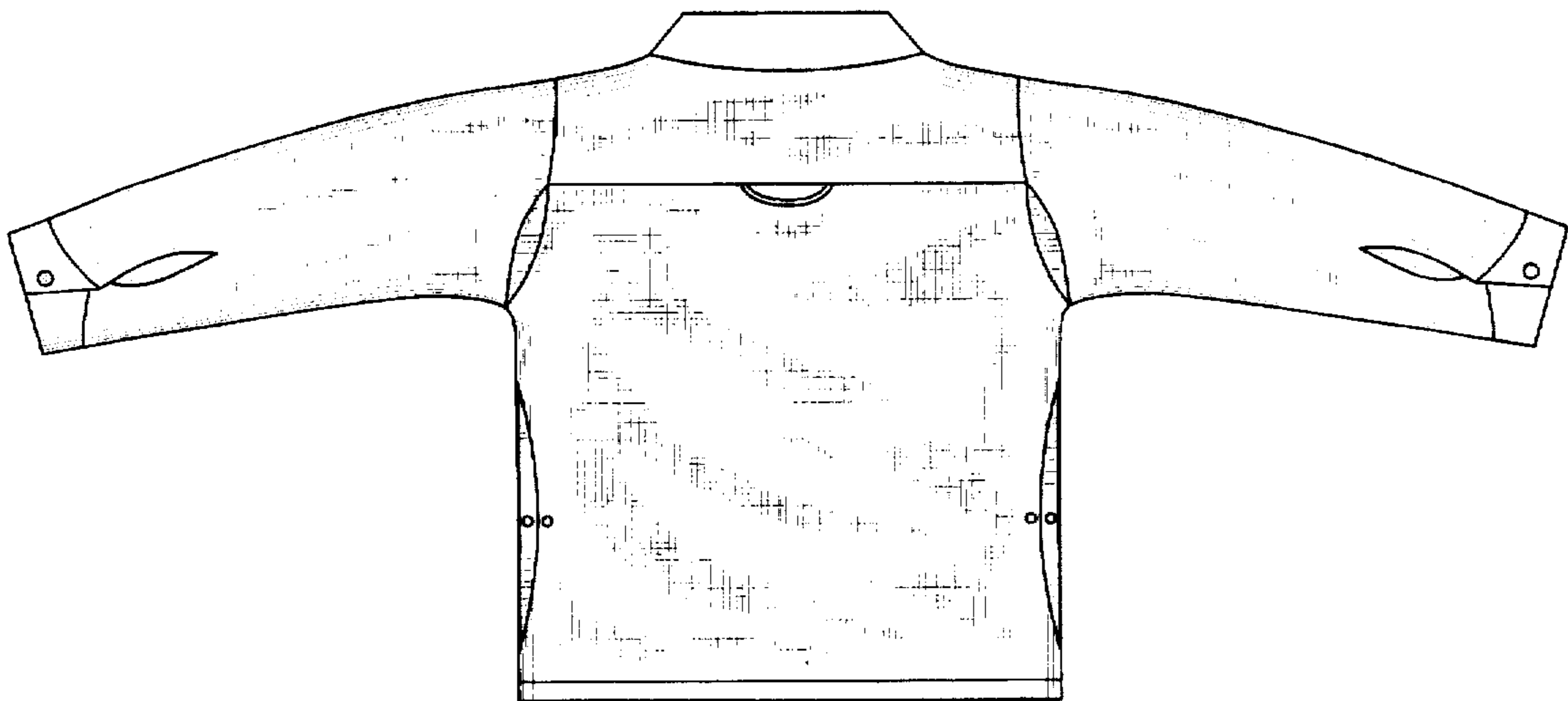
**1 Claim, 4 Drawing Sheets**

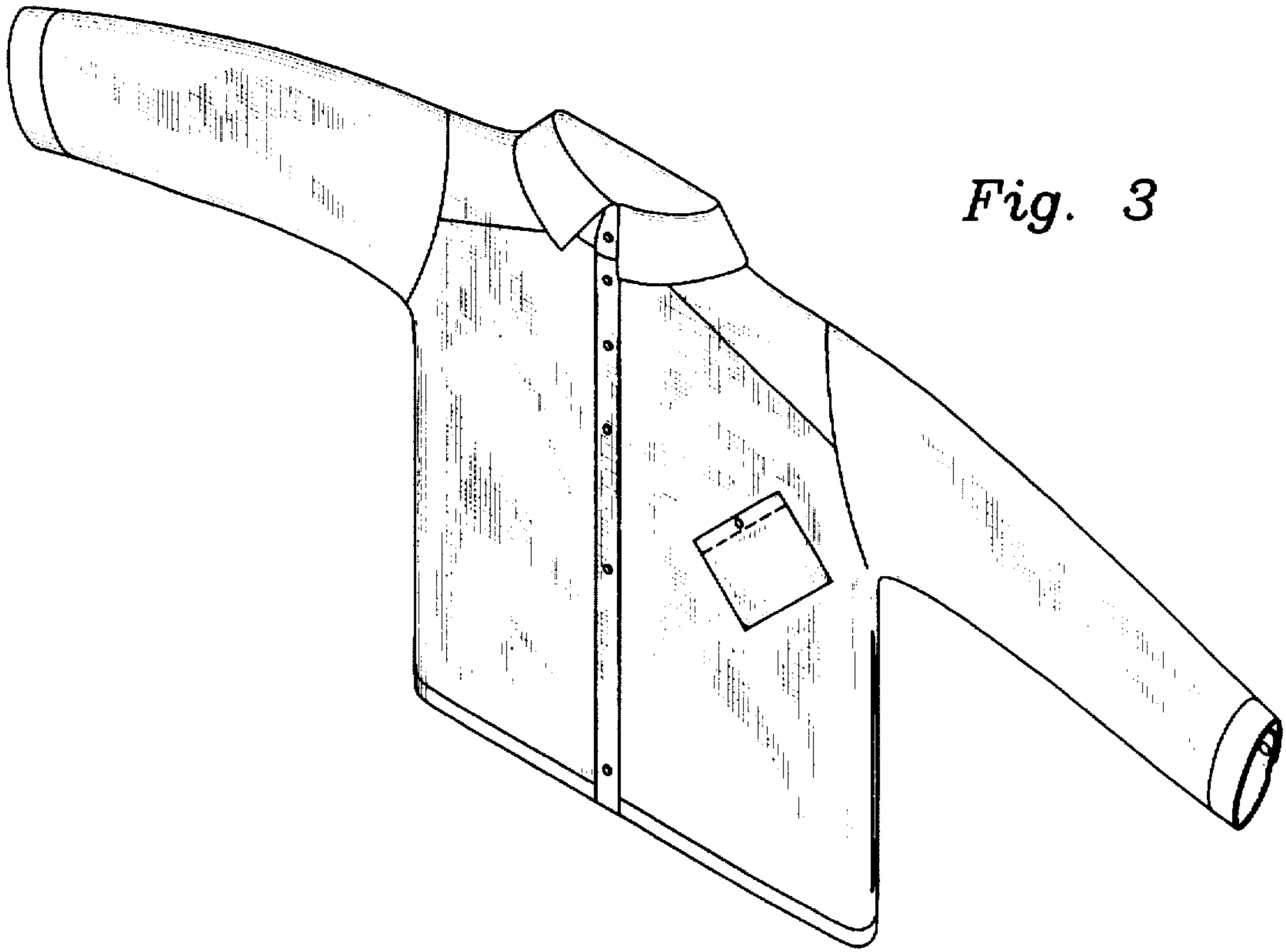


*Fig. 1*

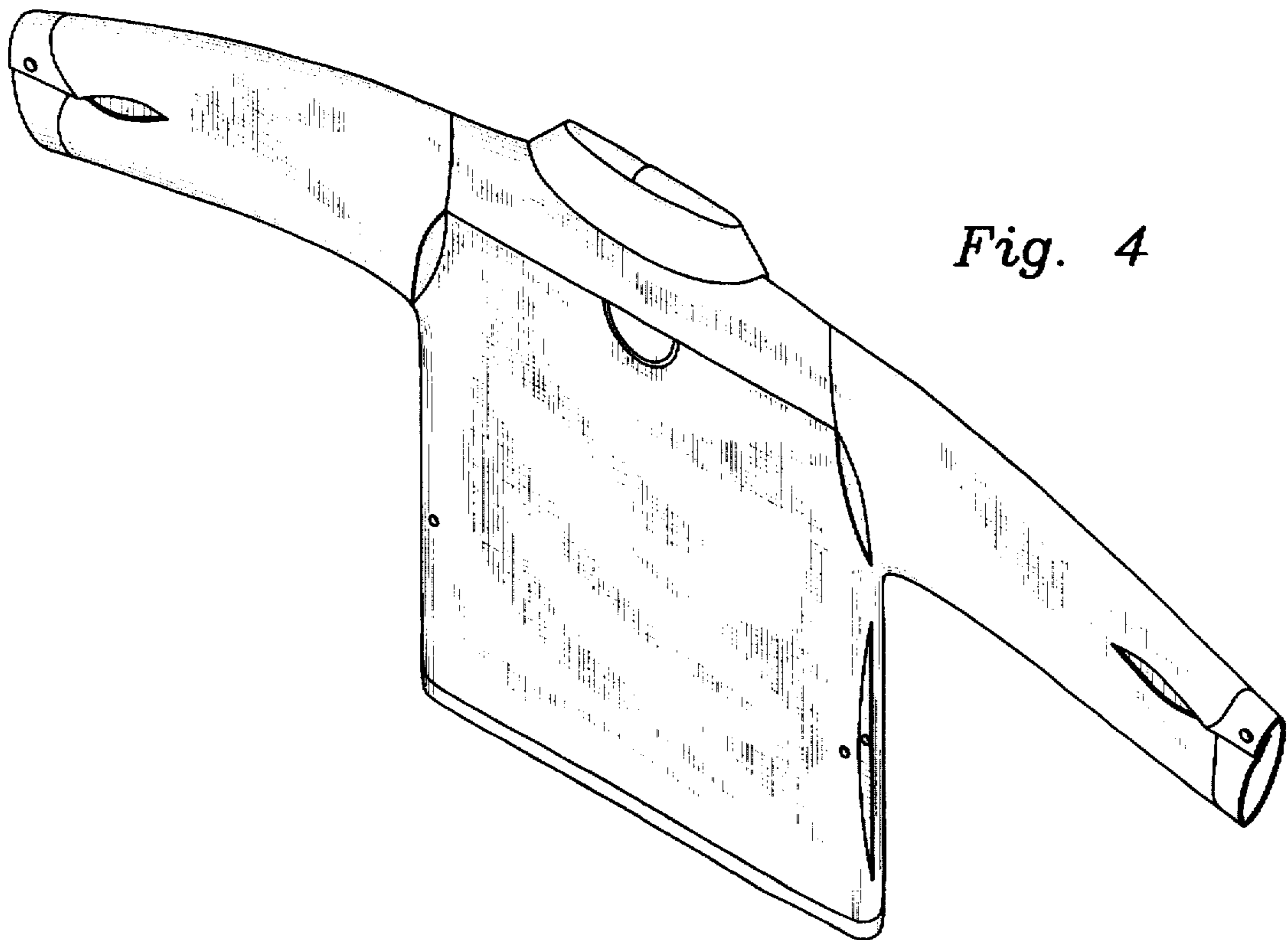


*Fig. 2*



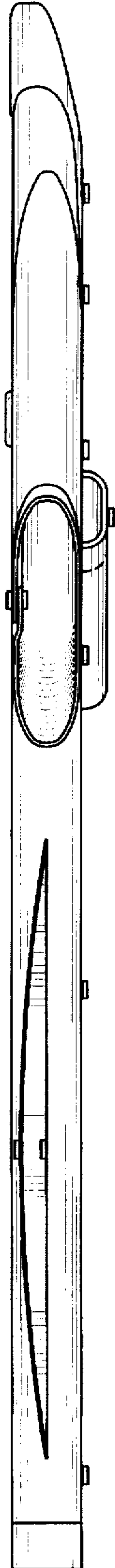


*Fig. 3*

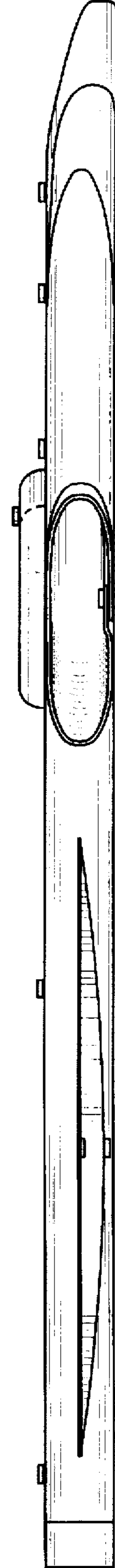


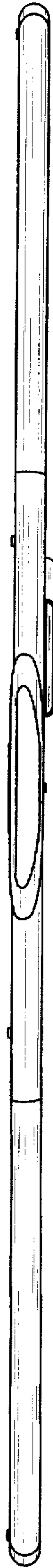
*Fig. 4*

*Fig. 5*



*Fig. 6*





*Fig. 7*



*Fig. 8*