



US00D395532S

**United States Patent** [19]  
**Kim**

[11] **Patent Number: Des. 395,532**

[45] **Date of Patent: \*\*\*Jun. 23, 1998**

[54] **FORKLIFT**

4,506,750 3/1985 Leskovec ..... 180/89.17

[75] Inventor: **Jong Hyun Kim**, Kyungnam, Rep. of Korea

*Primary Examiner*—Alan P. Douglas  
*Assistant Examiner*—Robin V. Taylor  
*Attorney, Agent, or Firm*—Kenyon & Kenyon

[73] Assignee: **Samsung Heavy Industries Co., Ltd.**, Seoul, Rep. of Korea

[57] **CLAIM**

[\*] Notice: The portion of the term of this patent subsequent to Nov. 25, 2011, has been disclaimed.

The ornamental design for a forklift, as shown and described.

[\*\*] Term: **14 Years**

**DESCRIPTION**

[21] Appl. No.: **46,655**

FIG. 1 is a right side view of a forklift according to my novel design;

[22] Filed: **Oct. 20, 1995**

FIG. 2 is a left side view of a forklift according to my novel design;

[51] **LOC (6) Cl.** ..... **12-05**

[52] **U.S. Cl.** ..... **D34/34**

[58] **Field of Search** ..... D34/28, 34, 37;  
180/89.12, 89.13, 89.177; 187/222; 415/572,  
592, 785

FIG. 3 is a front view of a forklift according to my novel design;

FIG. 4 is a rear view of a forklift according to my novel design;

FIG. 5 is a right-front perspective view of a forklift according to my novel design;

FIG. 6 is a right-rear perspective view of a forklift according to my novel design; and,

FIG. 7 is a top view of a forklift according to my novel design.

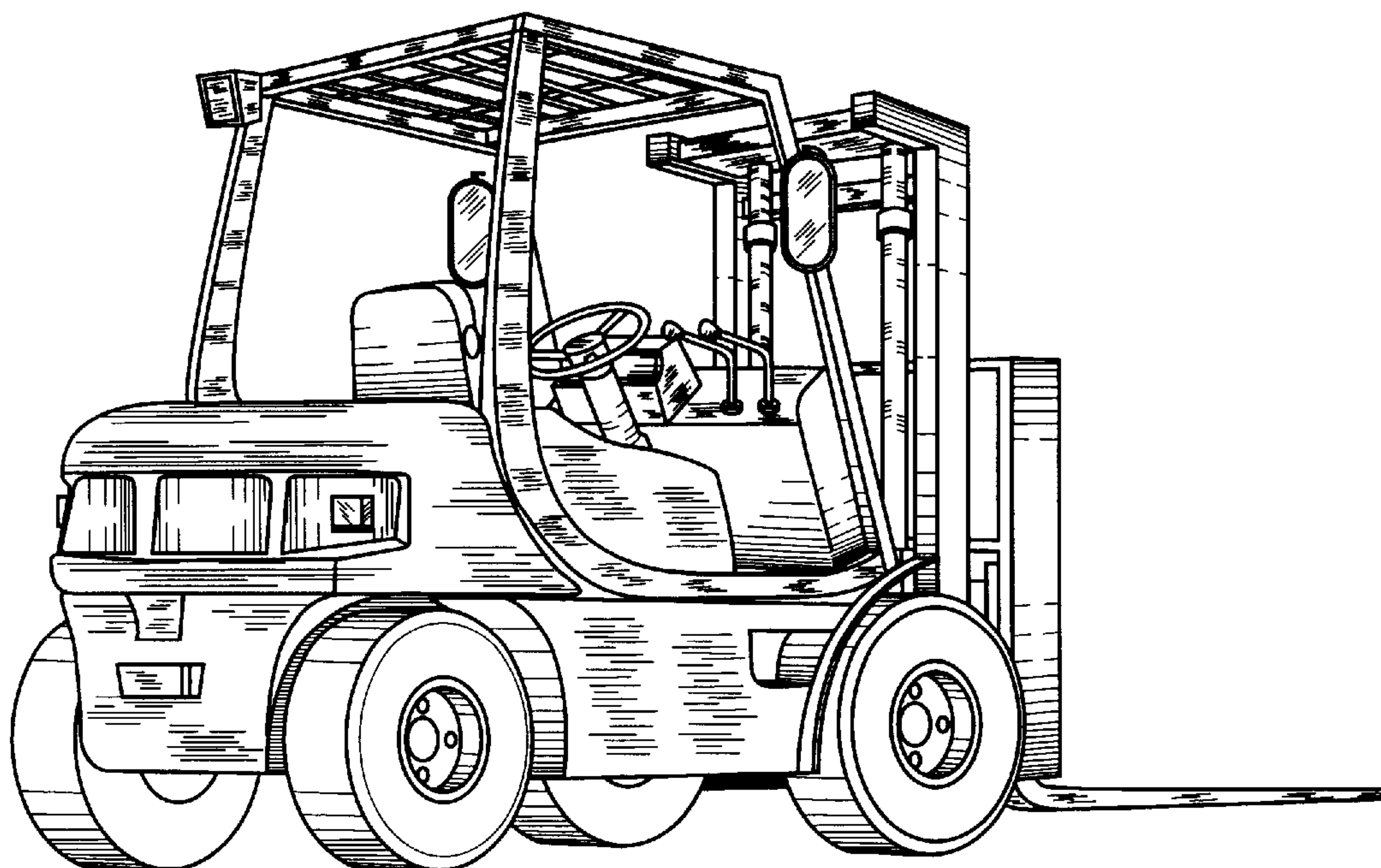
The right and left sides of the forklift are symmetrical and its bottom is plain and unornamented.

[56] **References Cited**

**U.S. PATENT DOCUMENTS**

D. 346,259	4/1994	Laatsch	.....	D34/34
D. 353,704	12/1994	Bhambra	.....	D34/34
D. 354,604	1/1995	Soederberg	.....	D34/34
4,043,472	8/1977	Hoyt	.....	414/592

**1 Claim, 5 Drawing Sheets**



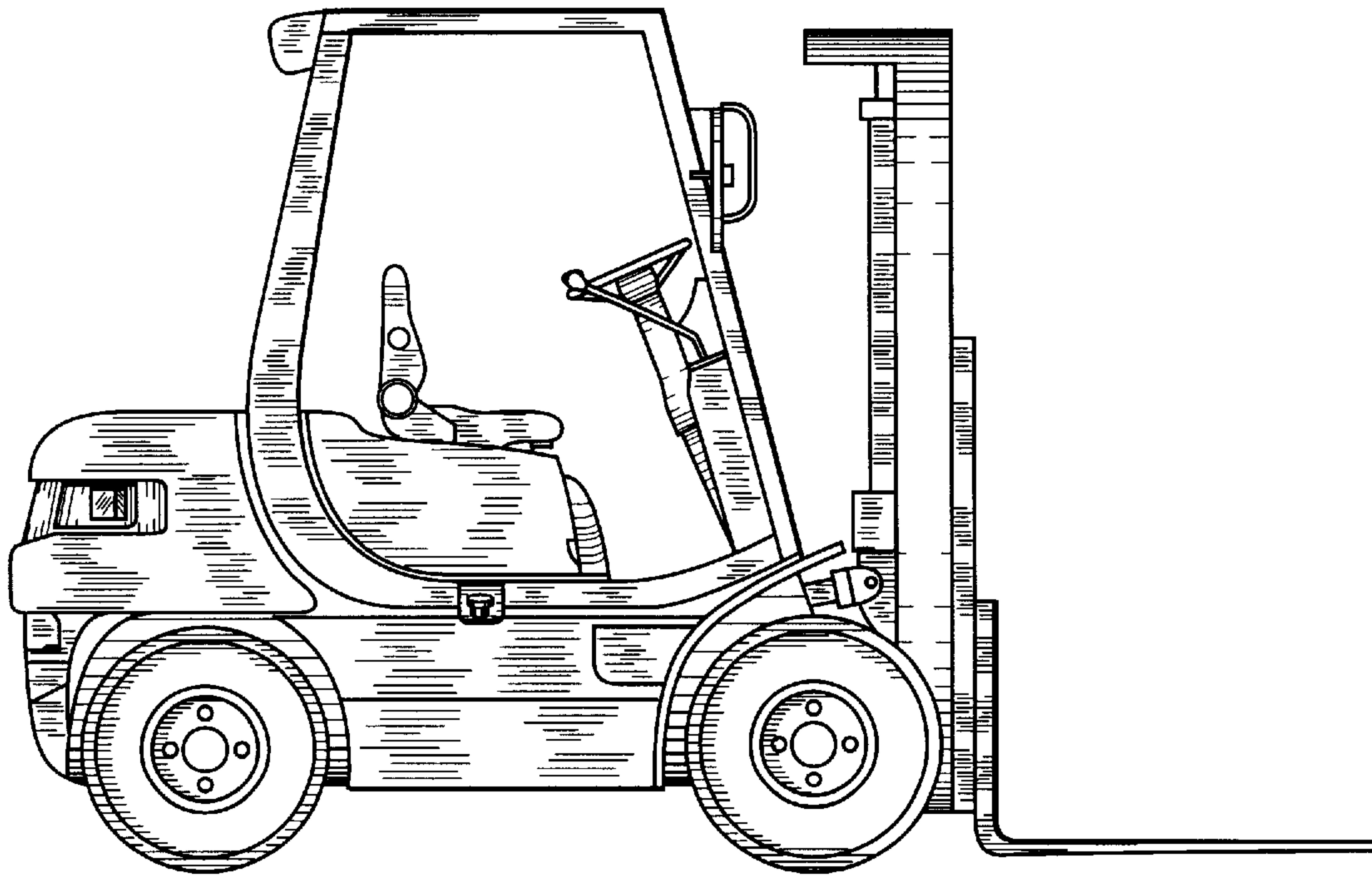


FIG. 1

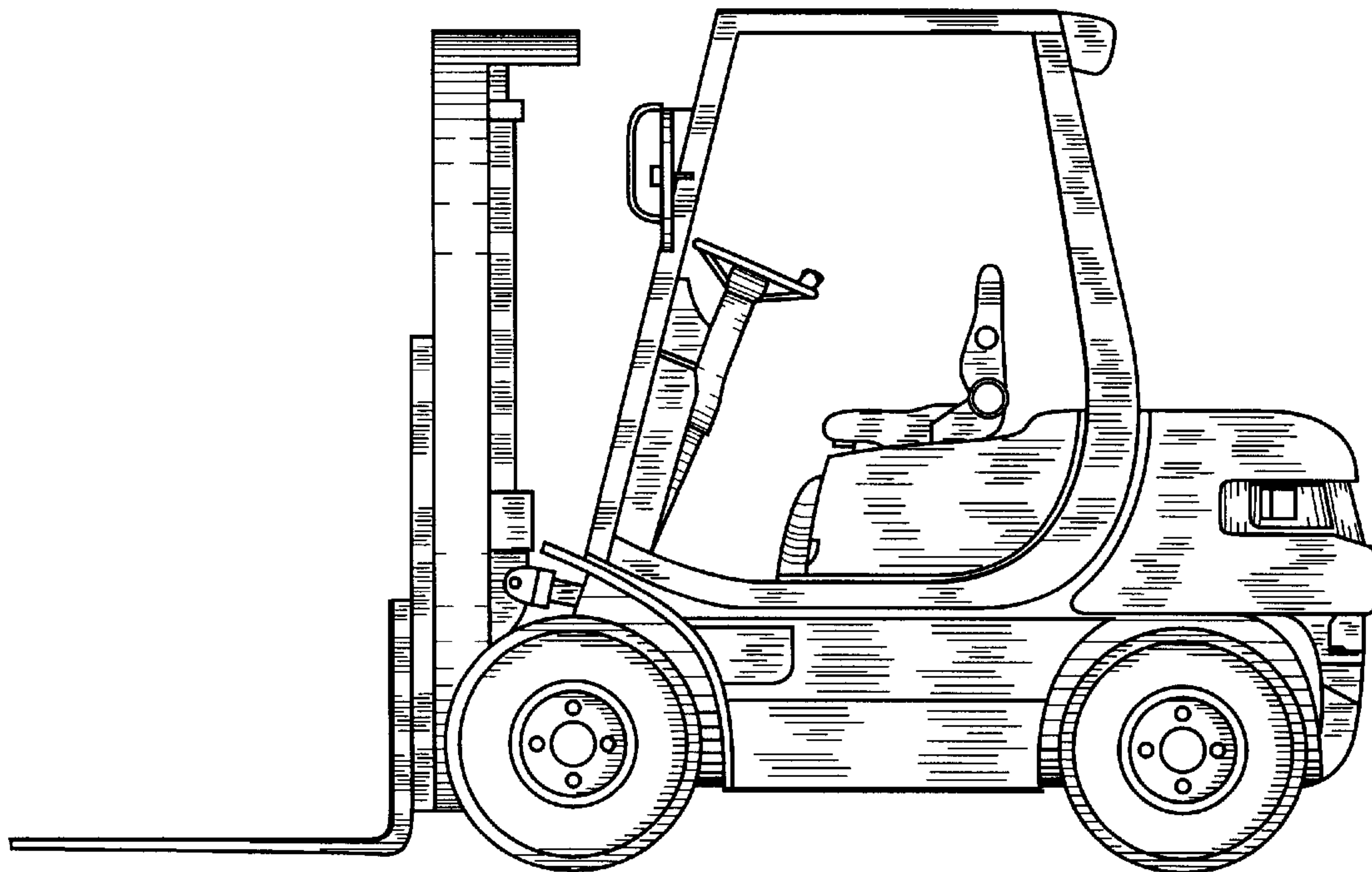


FIG. 2

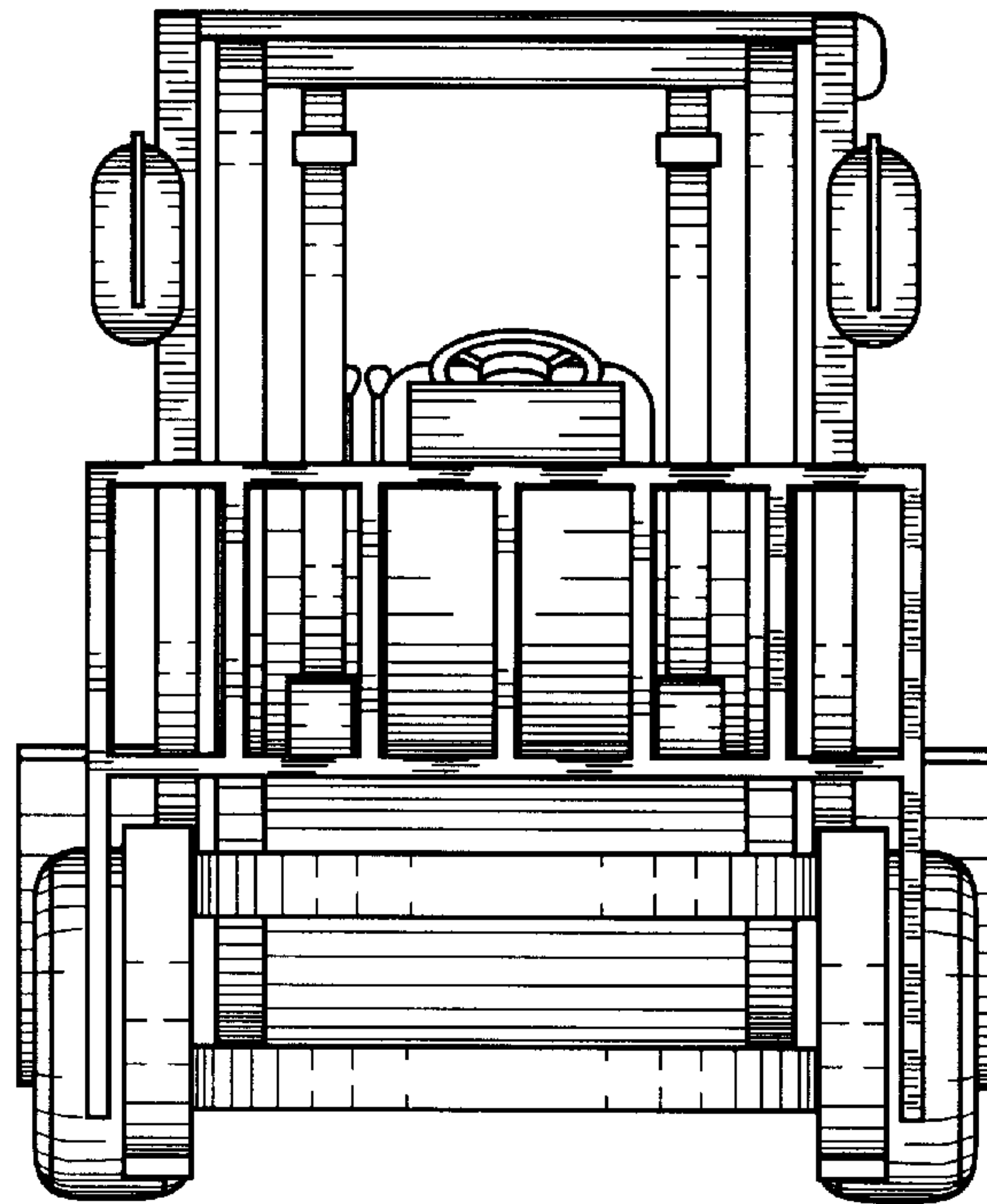


FIG. 3

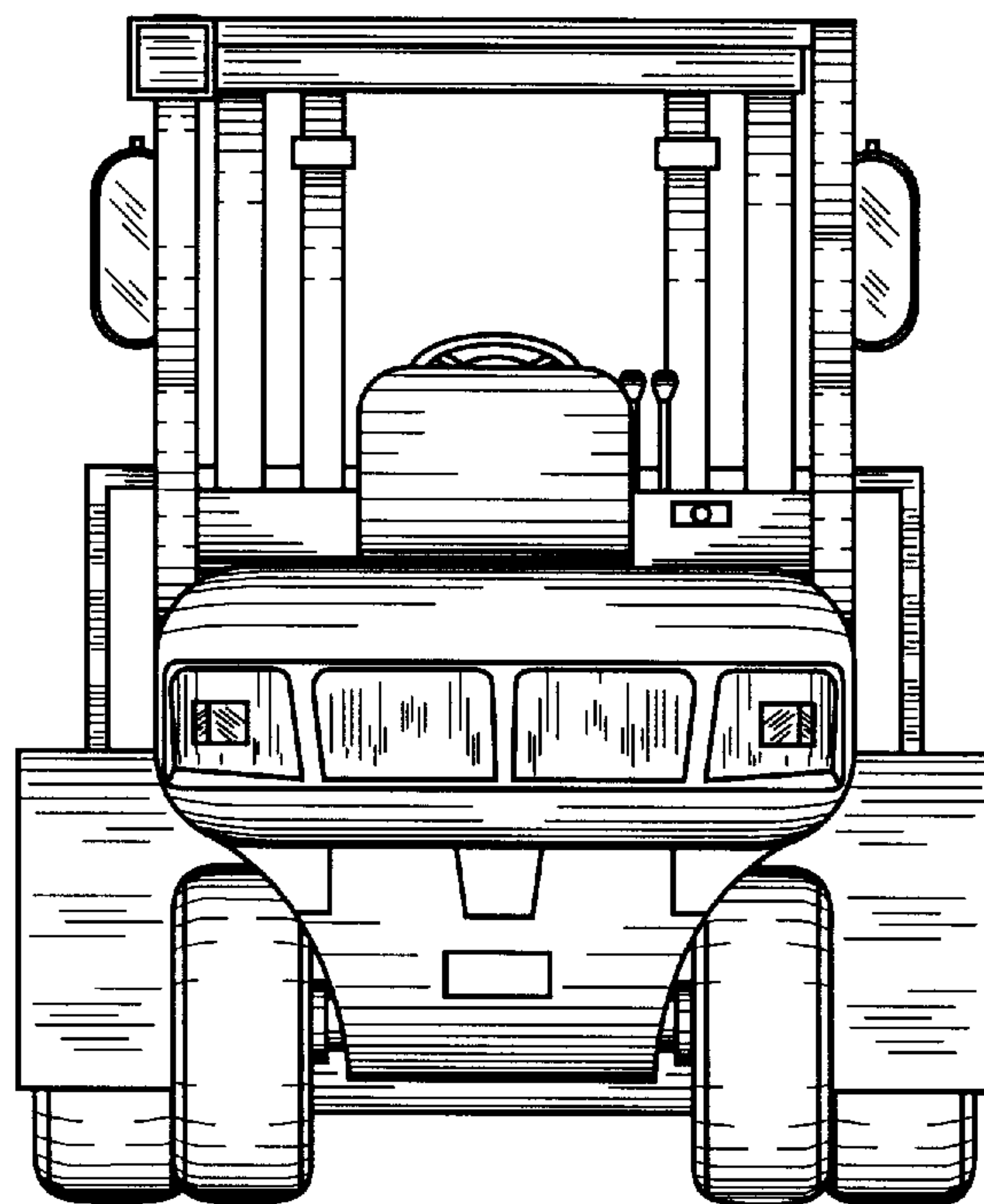


FIG. 4

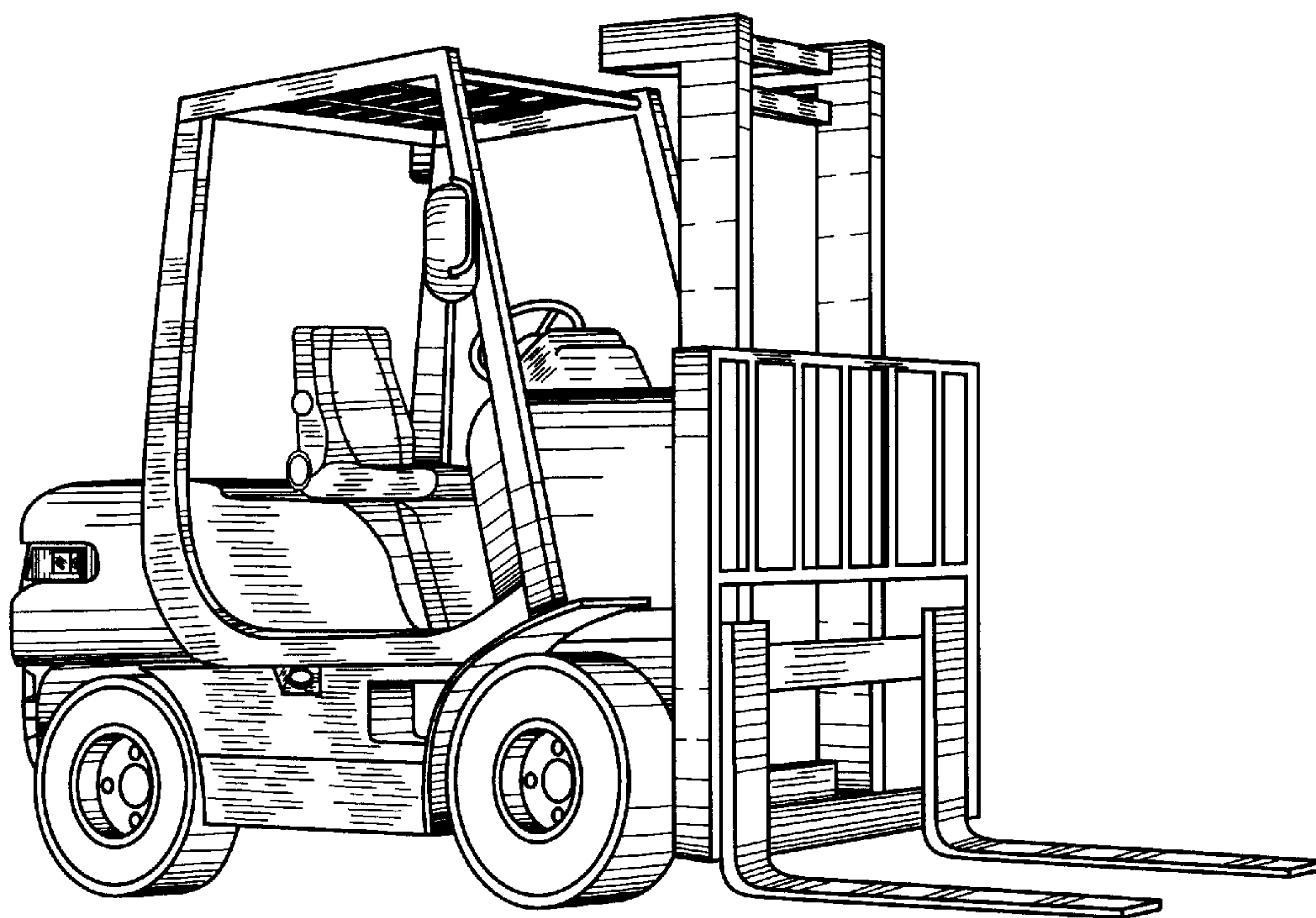


FIG. 5



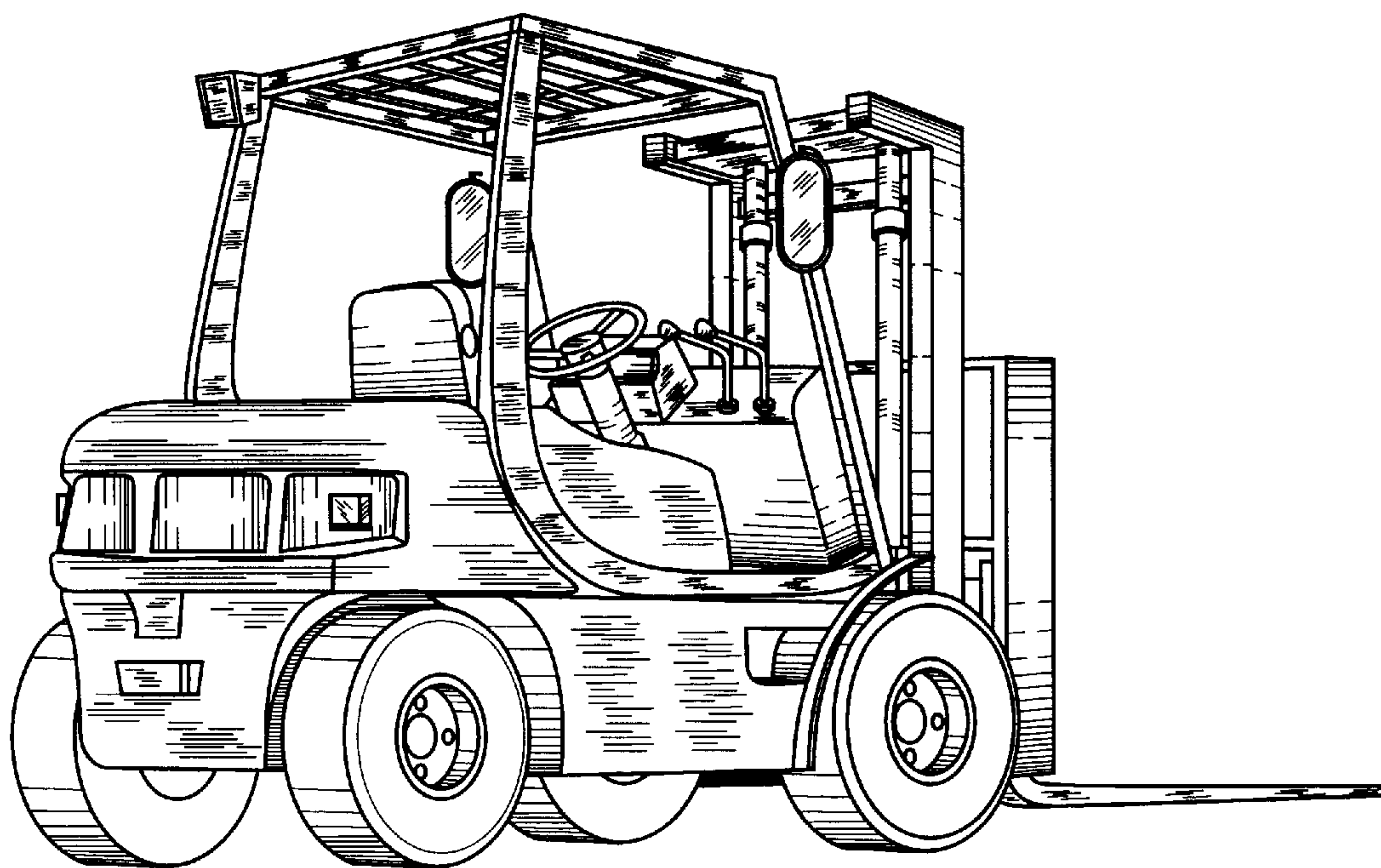


FIG. 6

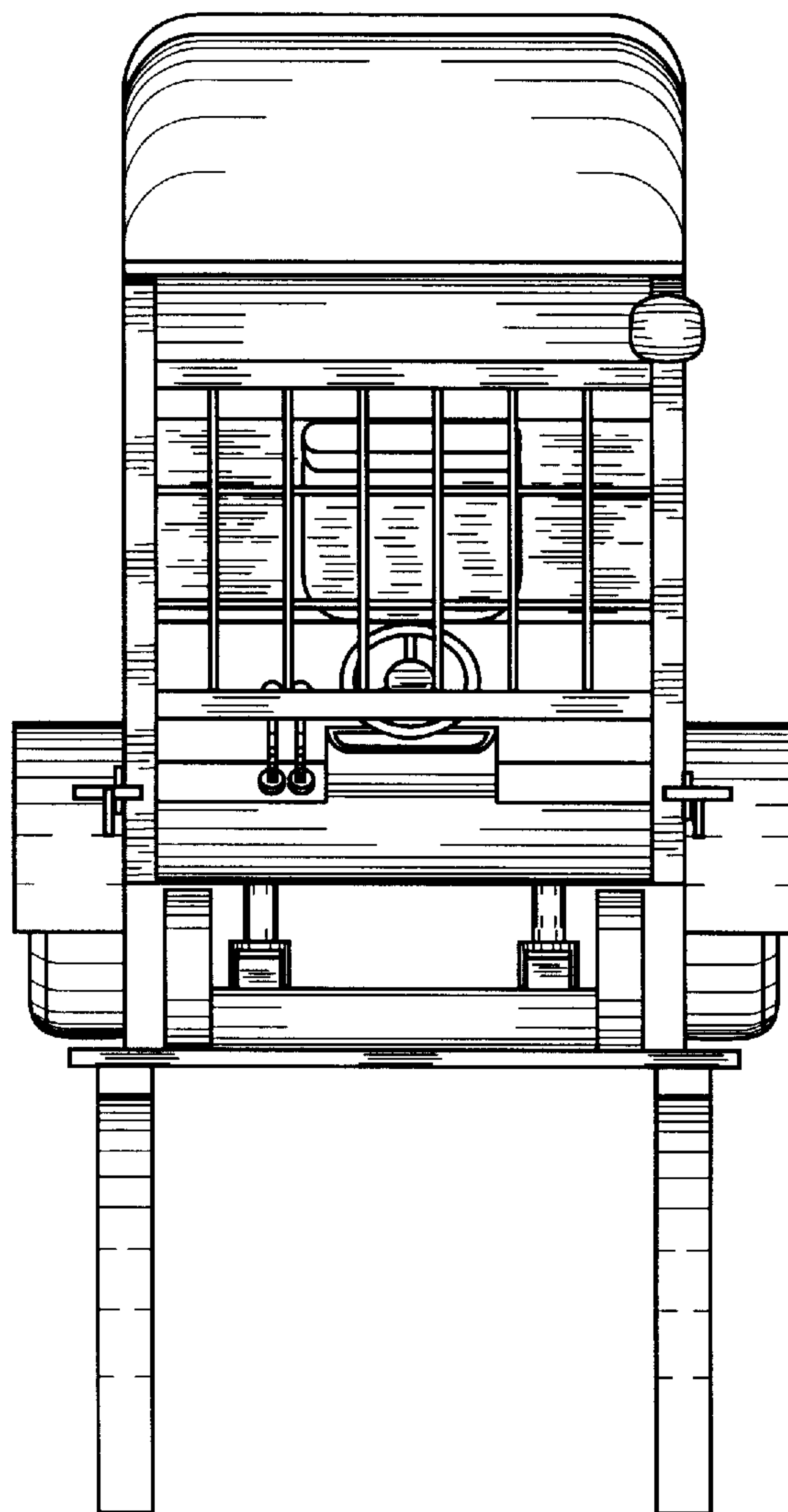


FIG. 7