



US00D395529S

United States Patent [19]

[11] **Patent Number: Des. 395,529**

Yuen

[45] **Date of Patent: **Jun. 23, 1998**

[54] **COMBINED NIGHT LIGHT AND INSECT REPELLER**

4,549,250 10/1985 Spector 362/226 X

[75] Inventor: **Se Kit Yuen**, Kowloon, Hong Kong

[73] Assignee: **John Manufacturing Limited**,
Kowloon, Hong Kong

[**] Term: **14 Years**

[21] Appl. No.: **62,072**

[22] Filed: **Nov. 6, 1996**

[51] **LOC (6) Cl. 26-05**

[52] **U.S. Cl. D26/26; D22/123; D23/367;
D26/73; D26/127**

[58] **Field of Search D26/26, 73, 125;
D22/120, 119, 122, 123; D11/117; D23/366,
367; 362/806, 226, 253; 422/125; 239/55,
56**

[56] **References Cited**

U.S. PATENT DOCUMENTS

D. 256,959	9/1980	Hall	D26/26
D. 352,481	11/1994	Williams	D26/26 X
2,691,716	10/1954	Wellens	422/125 X
2,813,187	11/1957	Rovira	422/125 X

OTHER PUBLICATIONS

Home Lighting and Accessories, p. 129, sunflower light, Apr. 1994.

Primary Examiner—Susan J. Lucas
Attorney, Agent, or Firm—Darby & Darby

[57] **CLAIM**

The ornamental design for a combined night light and insect repeller, as shown and described.

DESCRIPTION

FIG. 1 is a perspective view, as seen from the front, of a combined night light and insect repeller, showing my new design;

FIG. 2 is a front elevational view thereof;

FIG. 3 is a top plan view thereof;

FIG. 4 is a right side elevational view thereof;

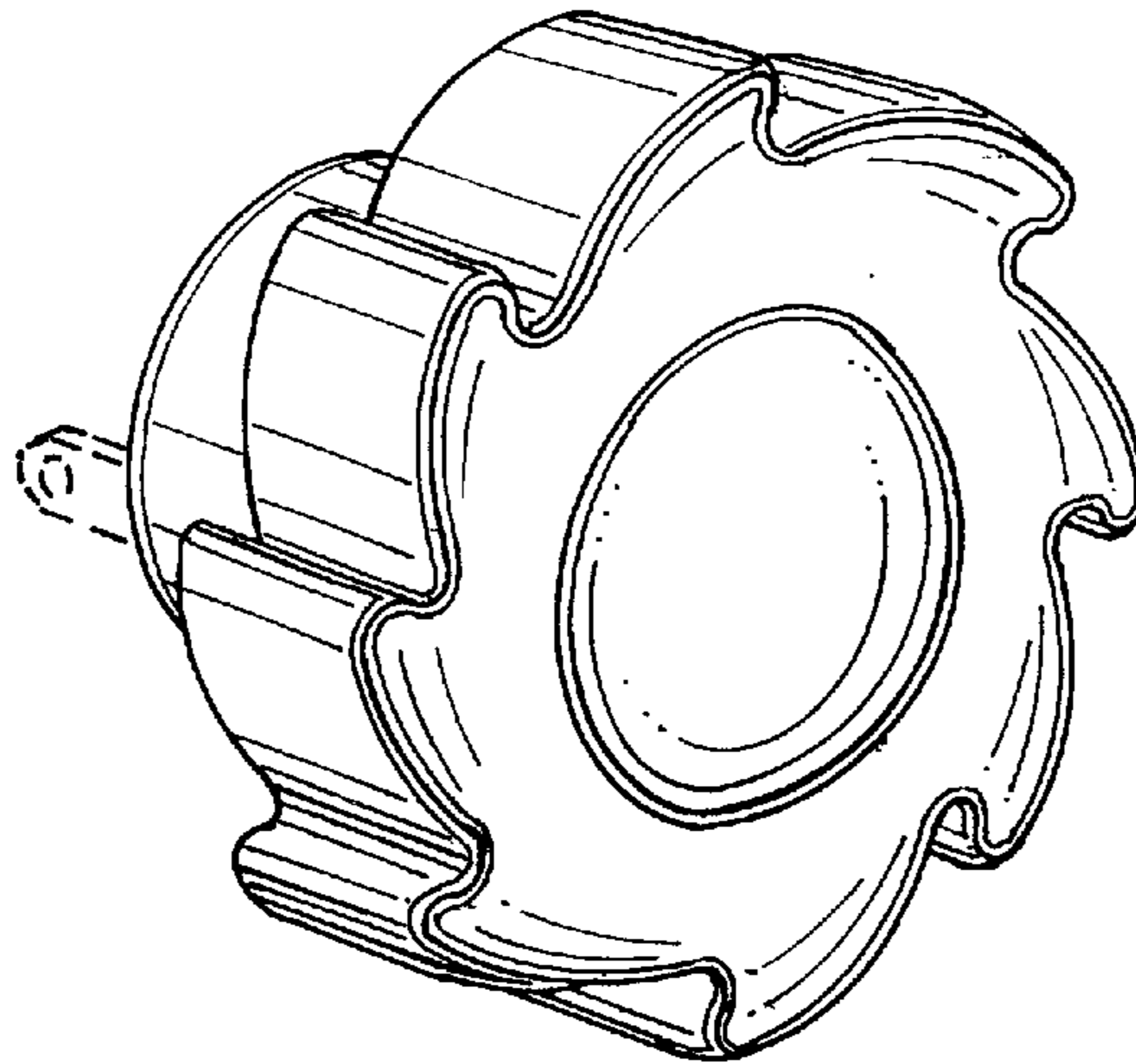
FIG. 5 is a left side elevational view thereof;

FIG. 6 is a rear elevational view thereof; and,

FIG. 7 is a bottom plan view thereof.

The broken lines are shown for illustrative purposes only and form no part of the claimed design.

1 Claim, 2 Drawing Sheets



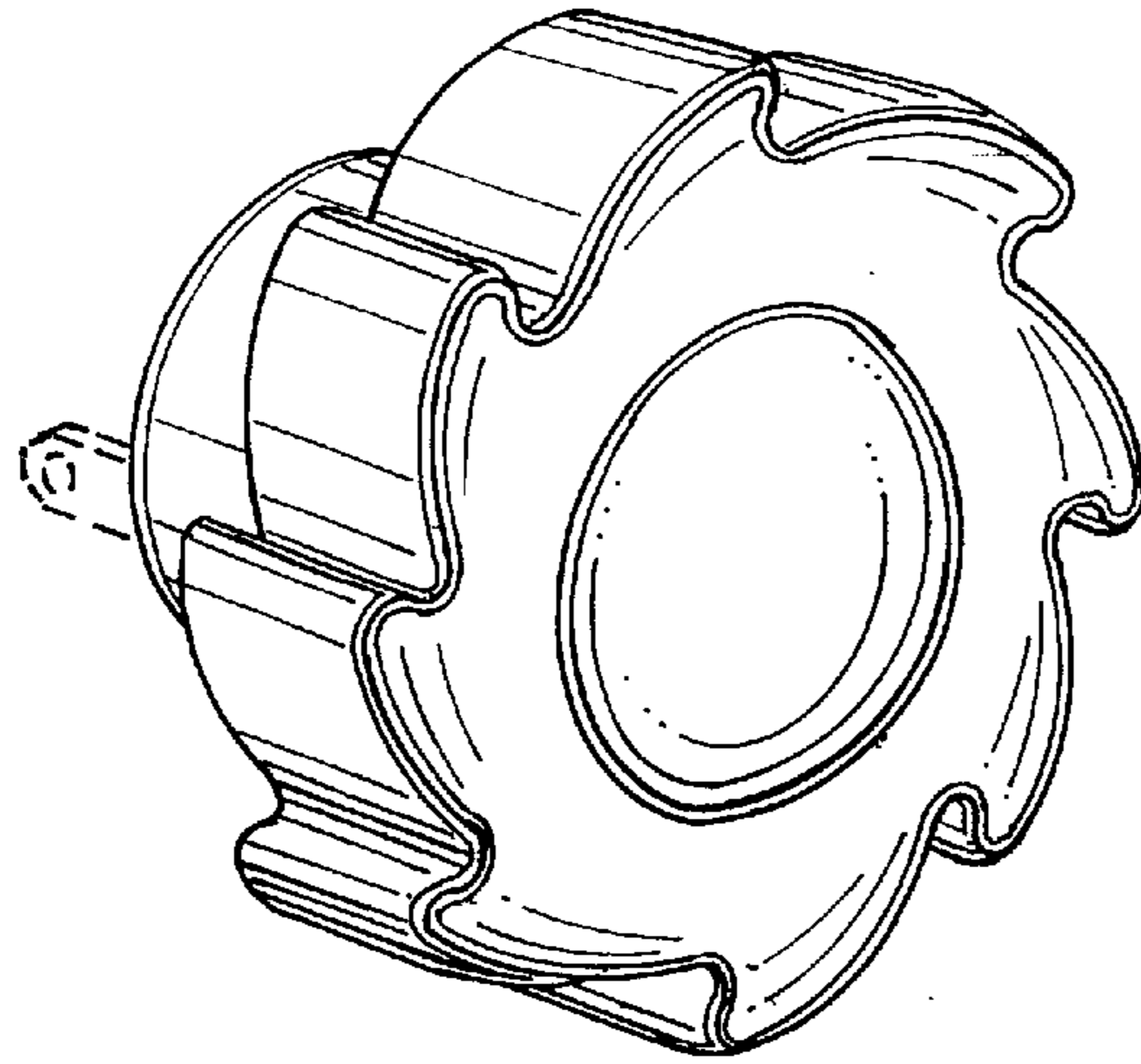


FIG. 1

FIG. 2

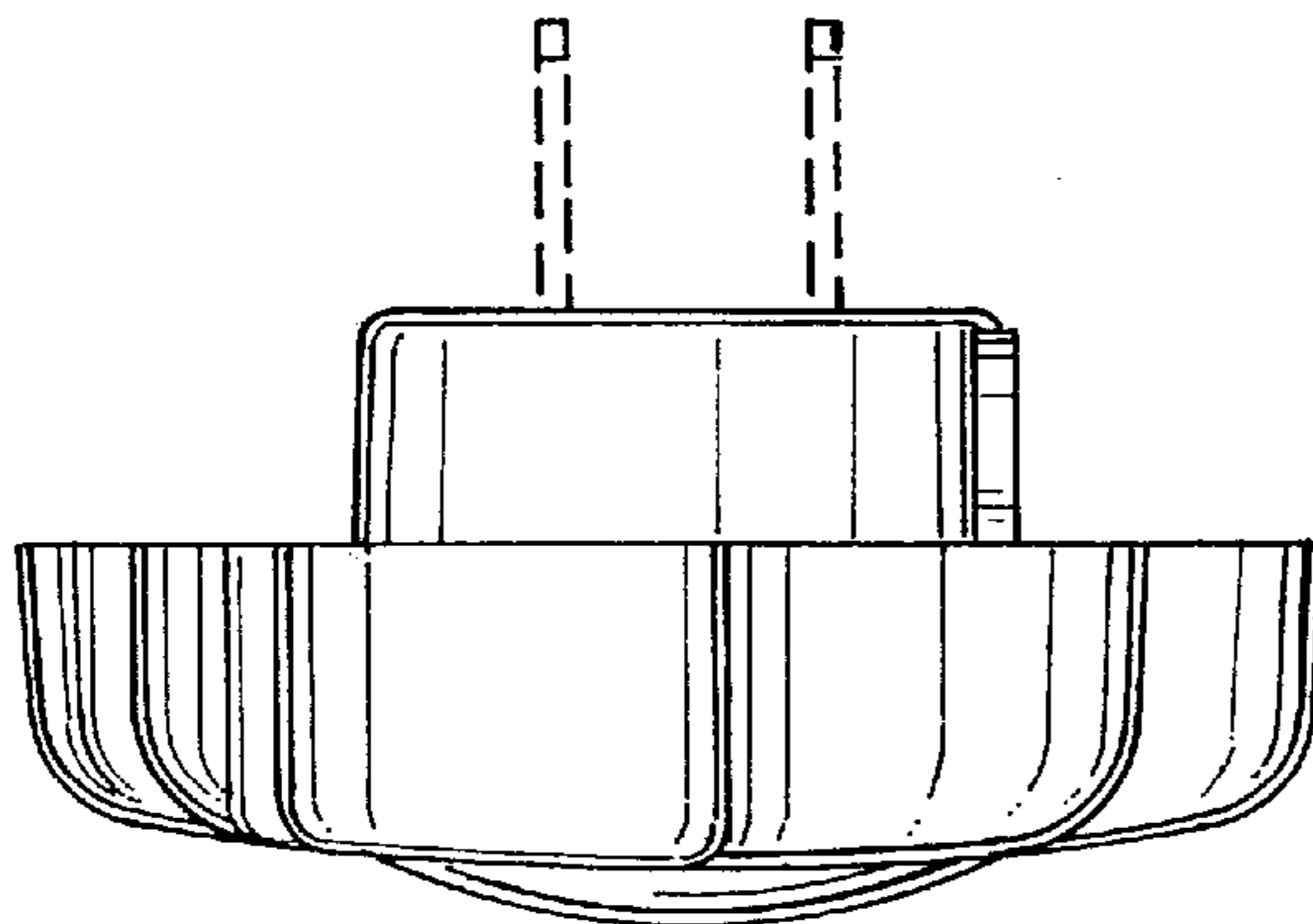
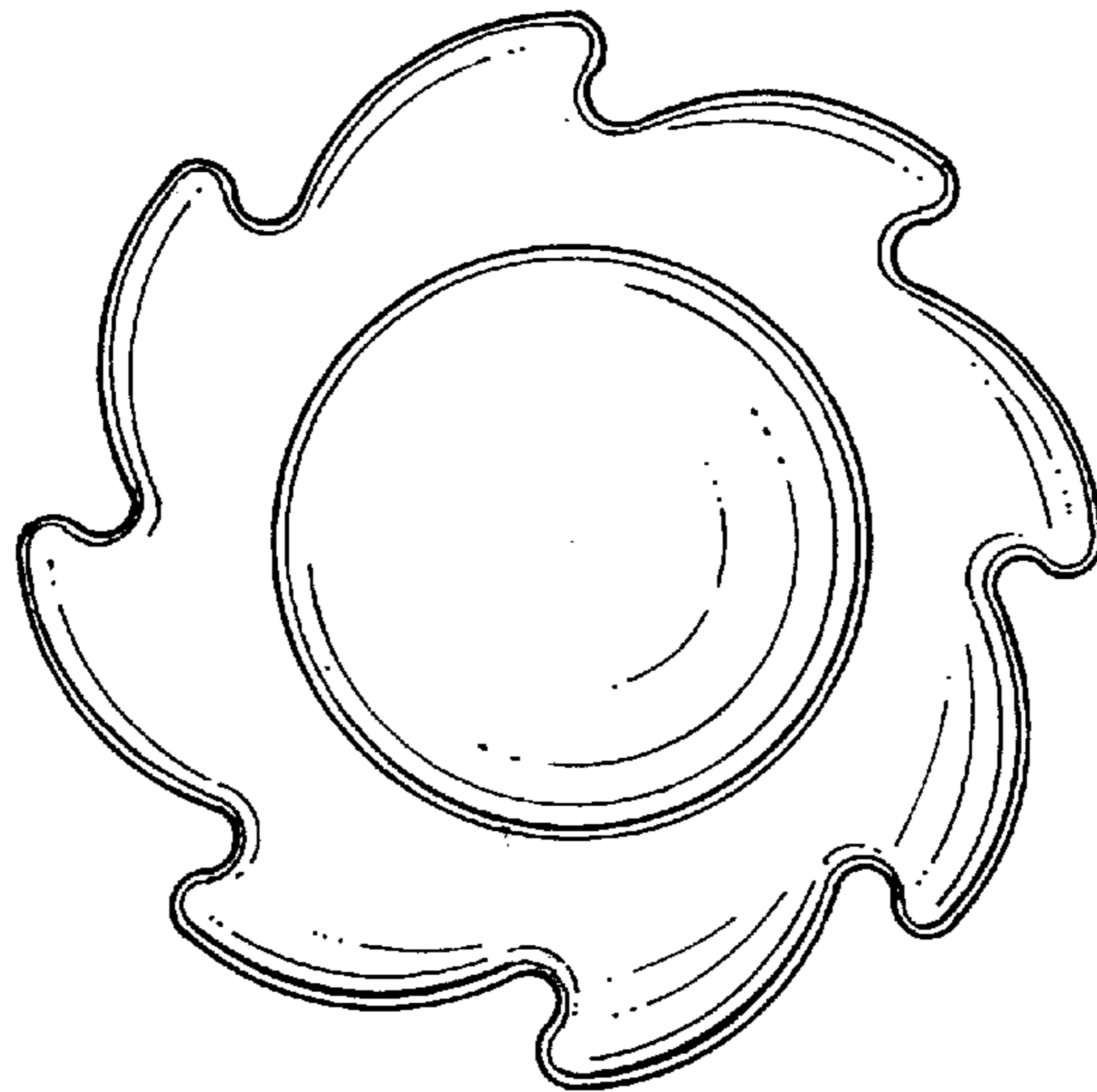


FIG. 3

FIG. 4

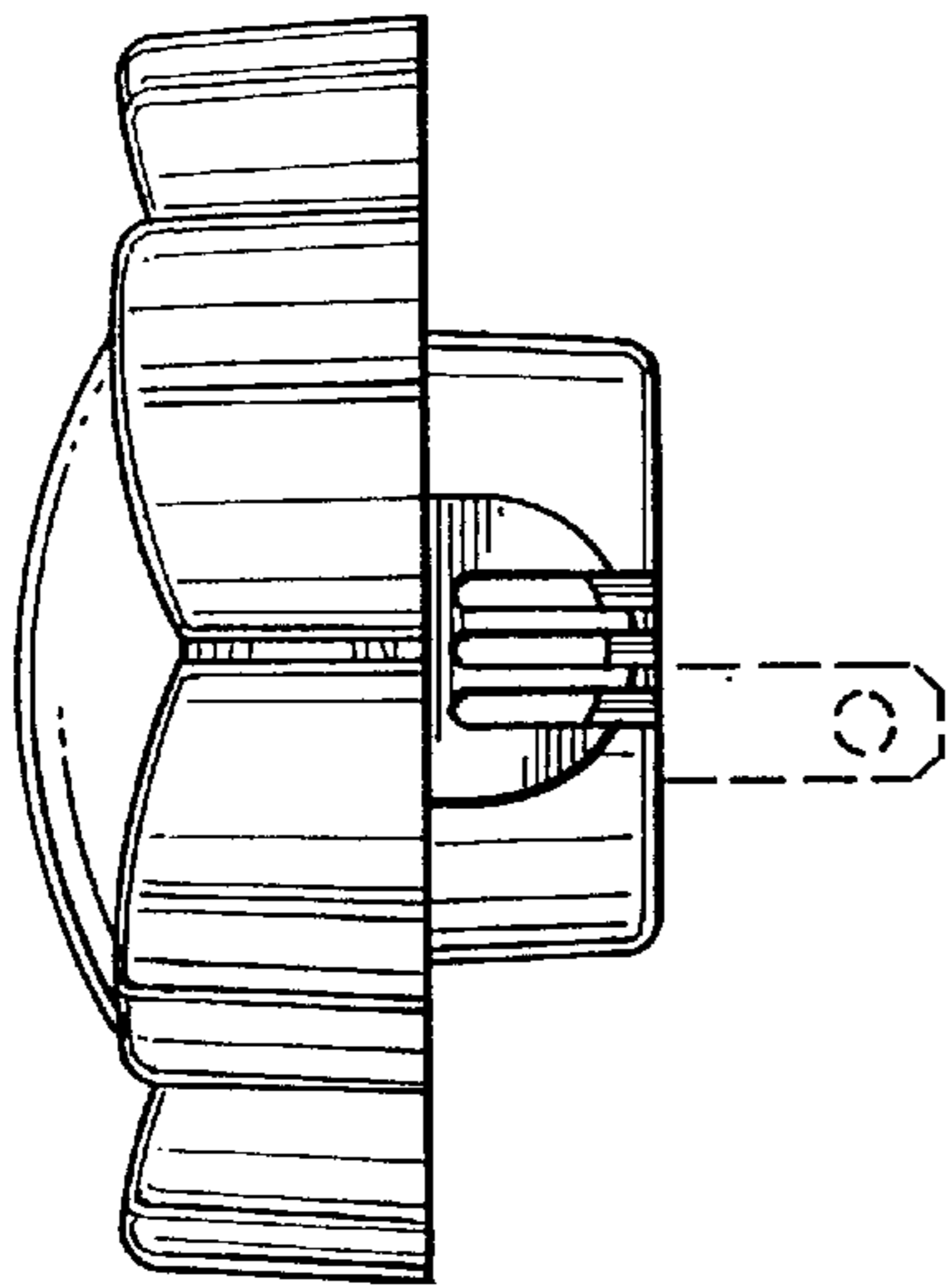


FIG. 5

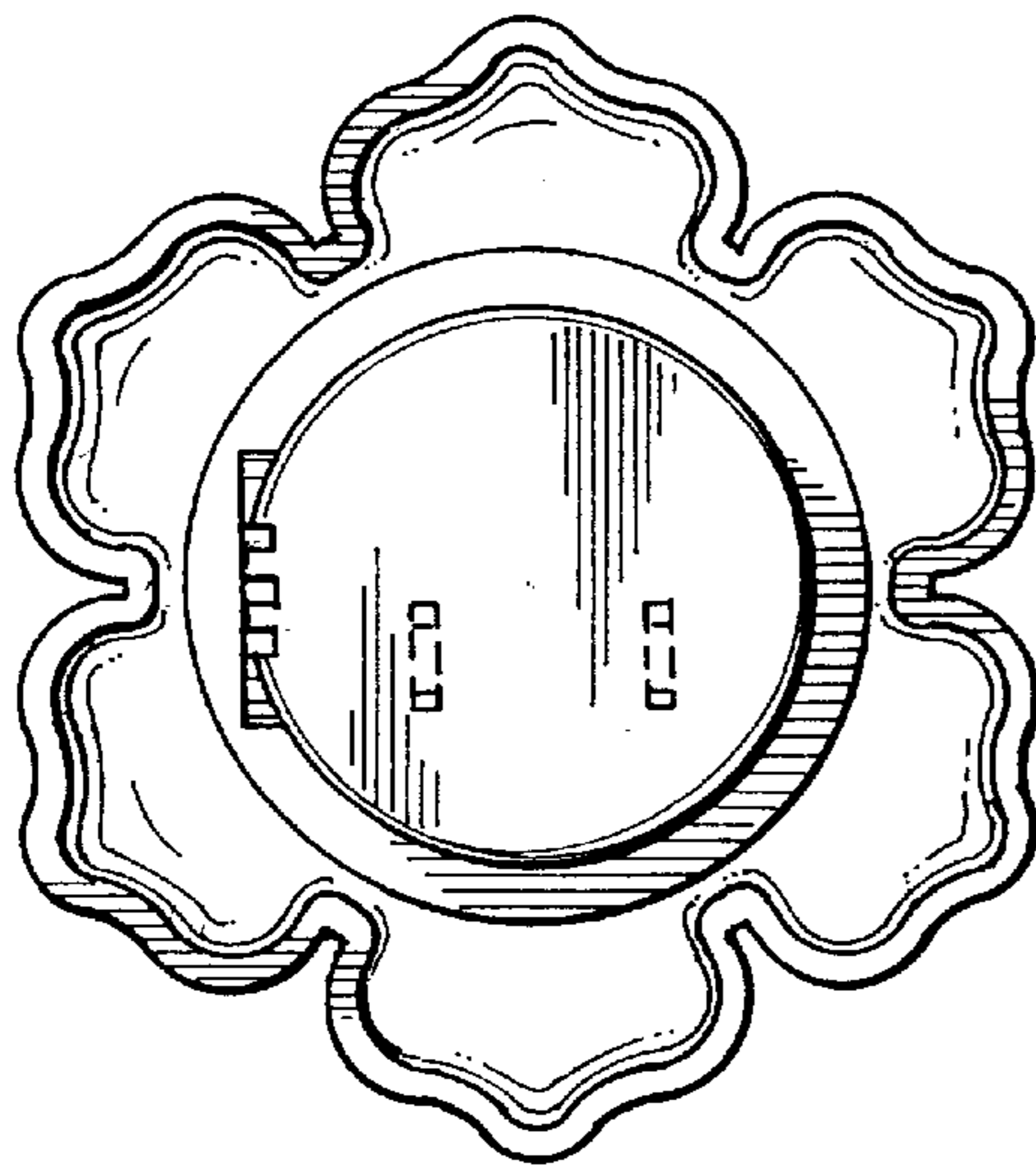
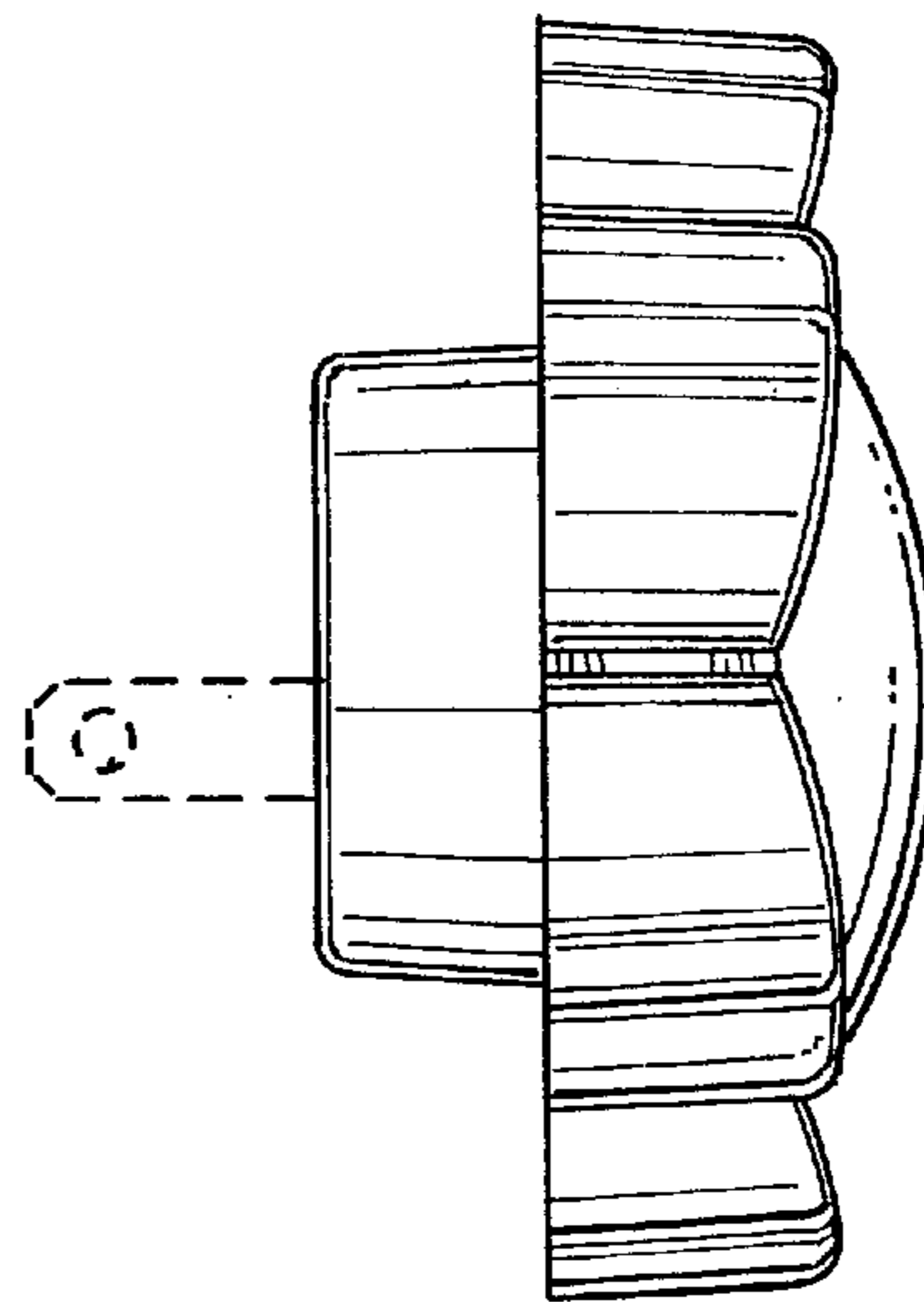


FIG. 6

FIG. 7

