



US00D395525S

United States Patent [19]

Rinot et al.

[11] **Patent Number: Des. 395,525**

[45] **Date of Patent: **Jun. 23, 1998**

[54] **CONSTRUCTION BEAM EXTRUSION**

D. 336,345 6/1993 Fasth et al. D25/126
3,451,183 6/1969 Lespagnol et al. D25/61

[75] Inventors: **Jacob Rinot**, Herzliya; **Uri Rinot**,
Rishon Le-Zion, both of Israel

Primary Examiner—Doris Clark
Attorney, Agent, or Firm—Browdy and Neimark

[73] Assignee: **Rinot Planning & Installation Ltd.**,
Rishon Le-Zion, Israel

[57] **CLAIM**

[**] Term: **14 Years**

The ornamental design for a construction beam extrusion, as shown and described.

[21] Appl. No.: **68,433**

DESCRIPTION

[22] Filed: **Apr. 7, 1997**

[51] **LOC (6) Cl.** **25-01**

[52] **U.S. Cl.** **D25/122; D25/126**

[58] **Field of Search** D25/124, 126,
D25/122, 125, 61; 52/650.1, 649.2, 650.2,
650.01, 651.07

FIG. 1 is a perspective view of a construction beam extrusion showing our new design, the extrusion being of indeterminate length;

FIG. 2 is an end view thereof;

FIG. 3 is right side view thereof;

FIG. 4 is a top view thereof;

FIG. 5 is left side view thereof; and,

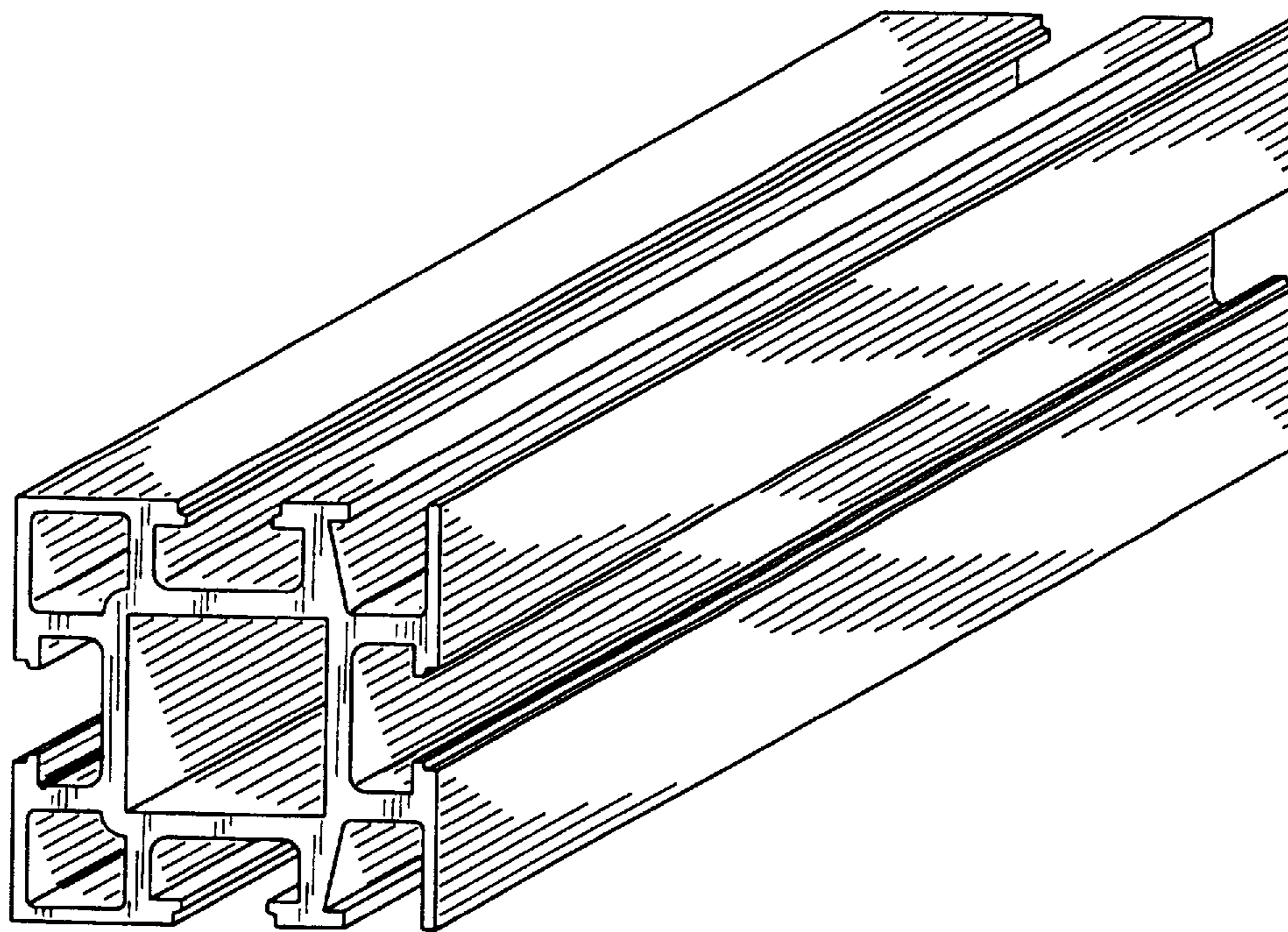
FIG. 6 is a bottom view thereof.

[56] **References Cited**

U.S. PATENT DOCUMENTS

D. 273,334 4/1984 Young D25/126

1 Claim, 2 Drawing Sheets



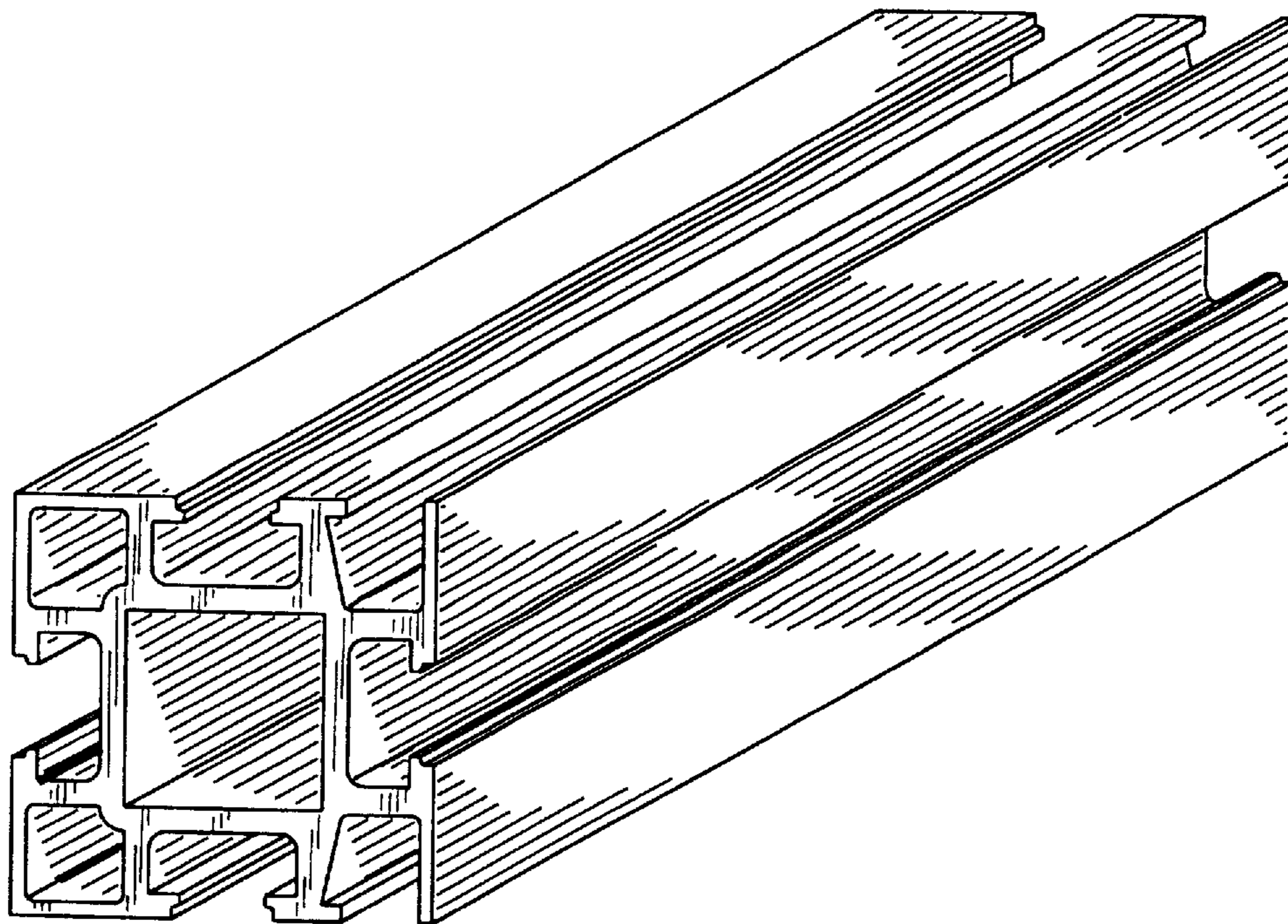


FIG. 1

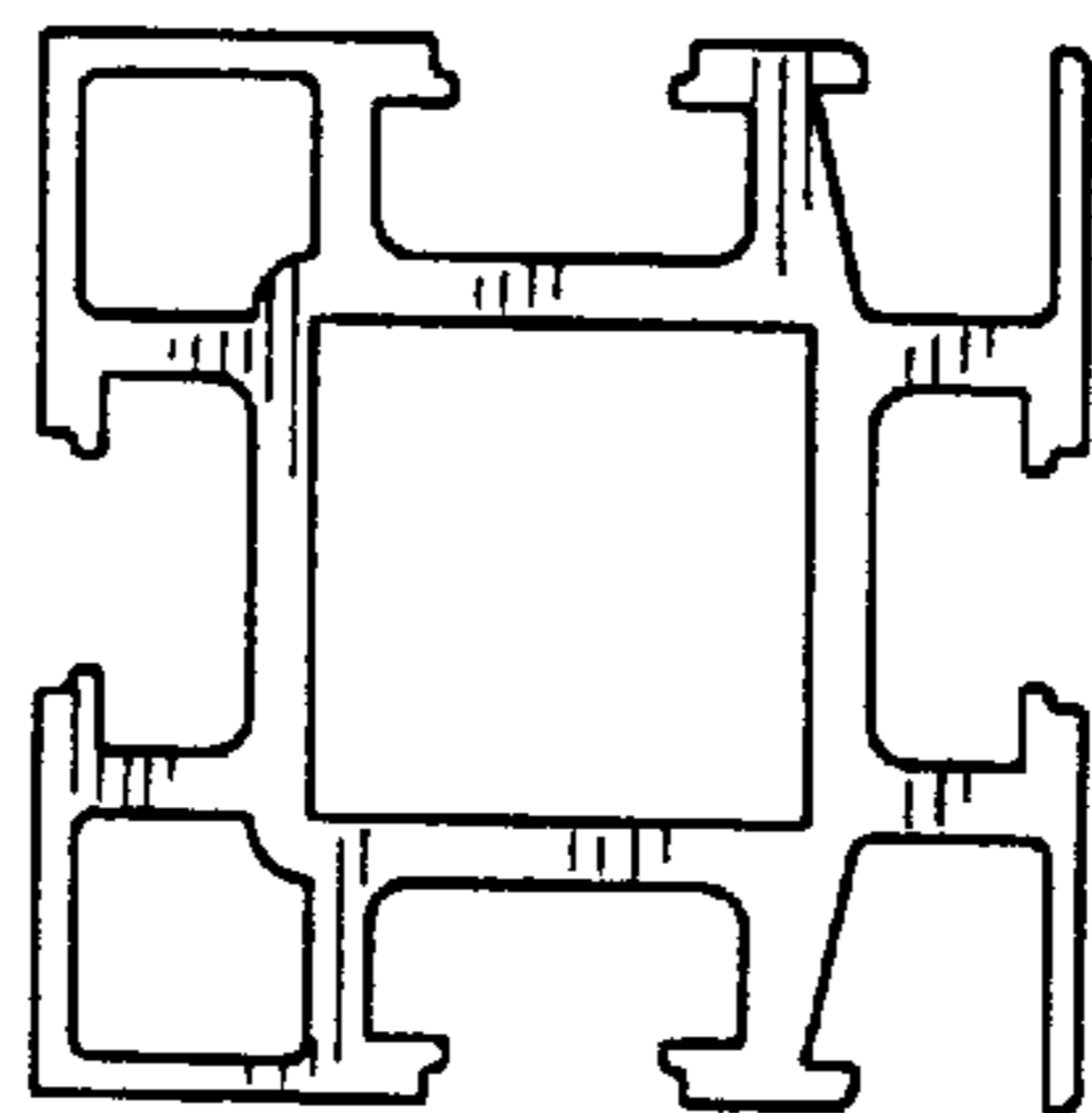


FIG. 2

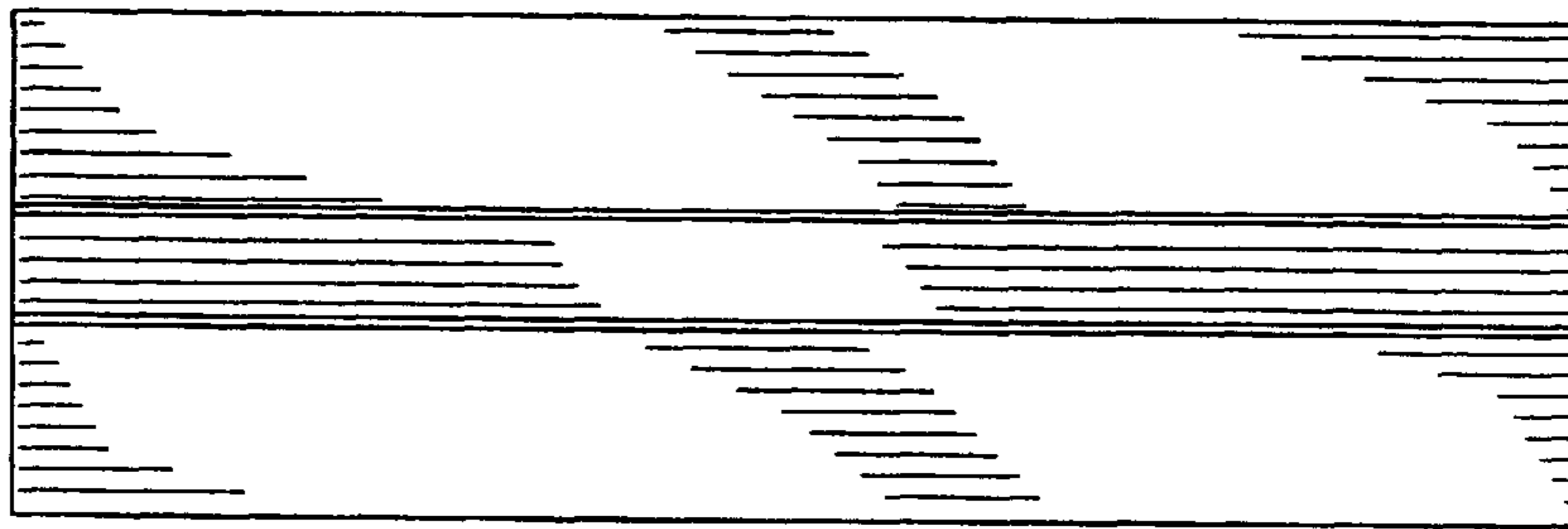


FIG. 3

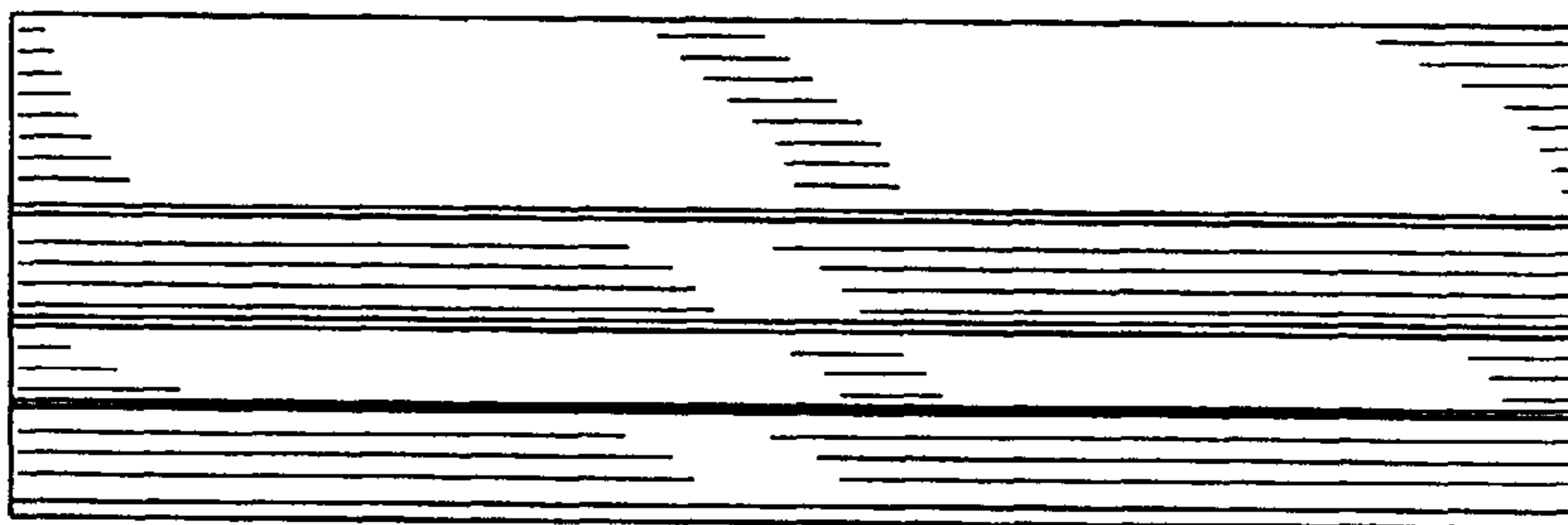


FIG. 4

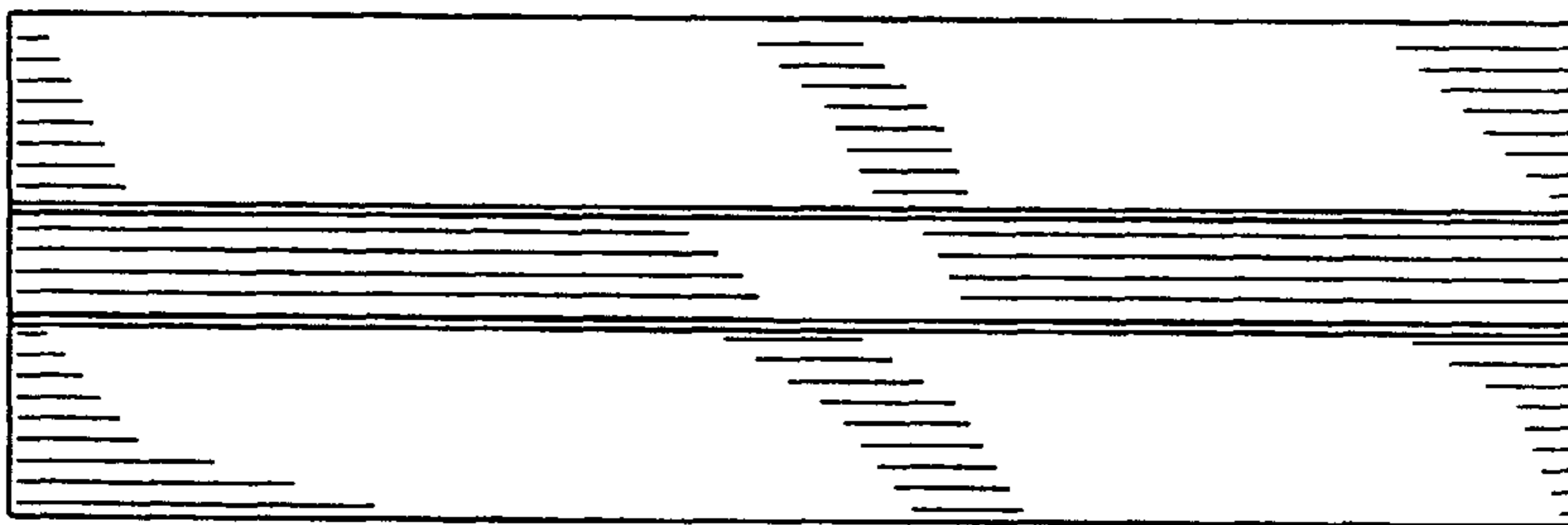


FIG. 5

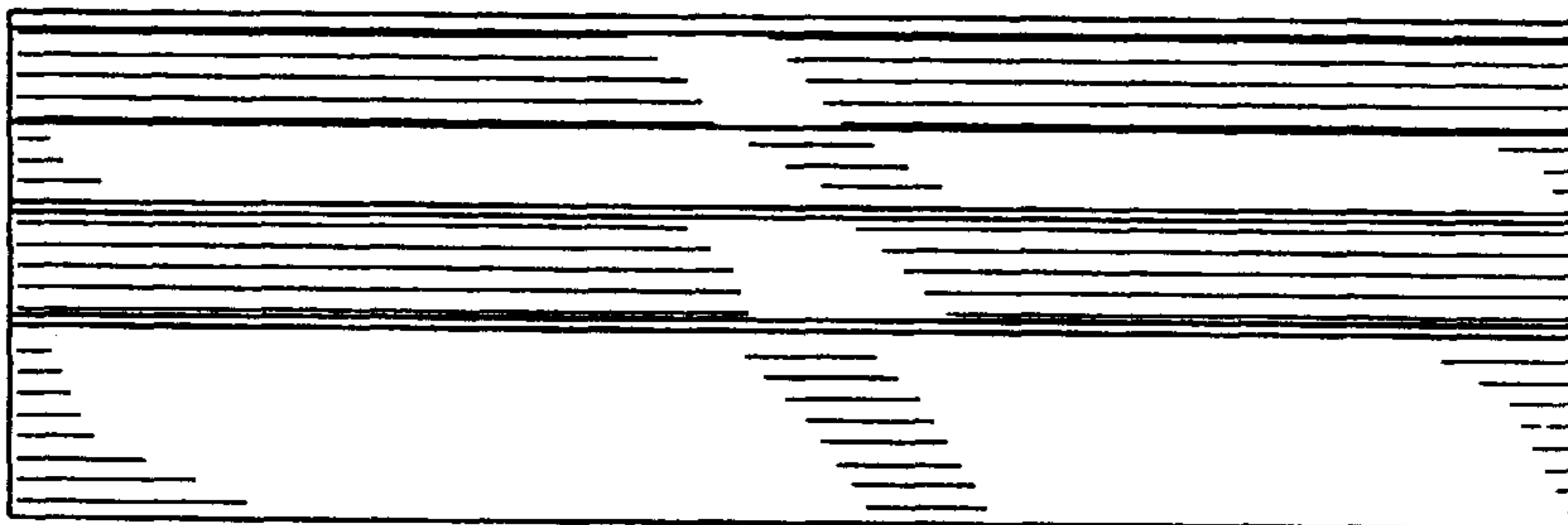


FIG. 6