



US00D395524S

# United States Patent [19]

Daoust

[11] Patent Number: **Des. 395,524**

[45] Date of Patent: **\*\*Jun. 23, 1998**

[54] **WINDOW FRAME MEMBER**

D. 361,848 8/1995 Oliver ..... D25/122

[75] Inventor: **Marcel Daoust**, Orangeville, Canada

*Primary Examiner*—Doris Clark

[73] Assignee: **Performance Fabrication Systems International Inc.**, Woodbridge, Canada

## [57] CLAIM

[\*\*] Term: **14 Years**

The ornamental design for a window frame member, as shown and described.

[21] Appl. No.: **64,598**

## DESCRIPTION

[22] Filed: **Jan. 7, 1997**

FIG. 1 is a perspective view of the window frame member; and,

[51] **LOC (6) Cl.** ..... **25-01**

[52] **U.S. Cl.** ..... **D25/122**

FIG. 2 is an end view of the window frame member.

[58] **Field of Search** ..... D25/122, 60, 124; 52/202-204; 49/DIG. 2, 501, 504

The window frame member is broken away near the end to indicate indeterminate length.

## [56] References Cited

### U.S. PATENT DOCUMENTS

D. 336,344 6/1993 Cole ..... D25/124

**1 Claim, 1 Drawing Sheet**

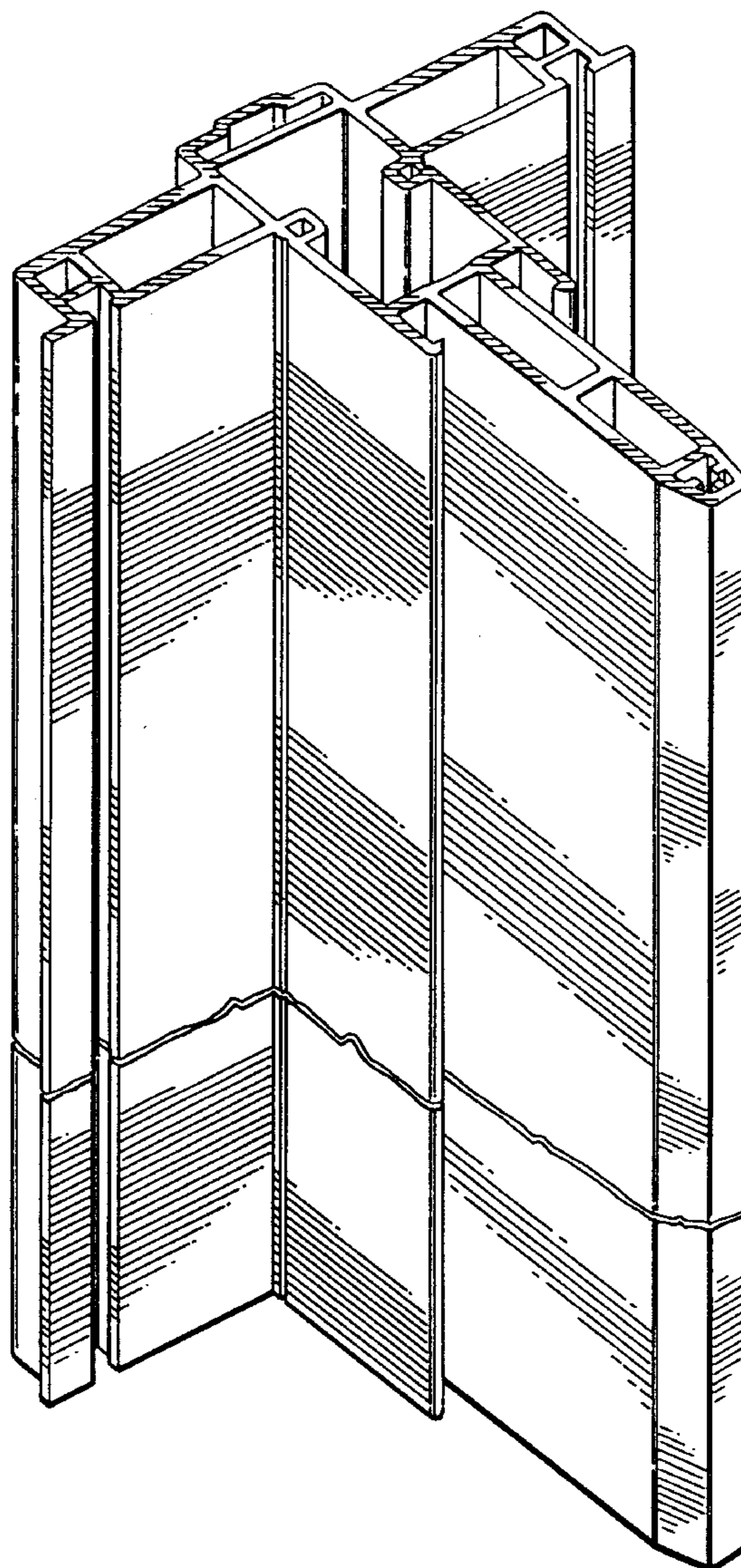


FIG. 1.

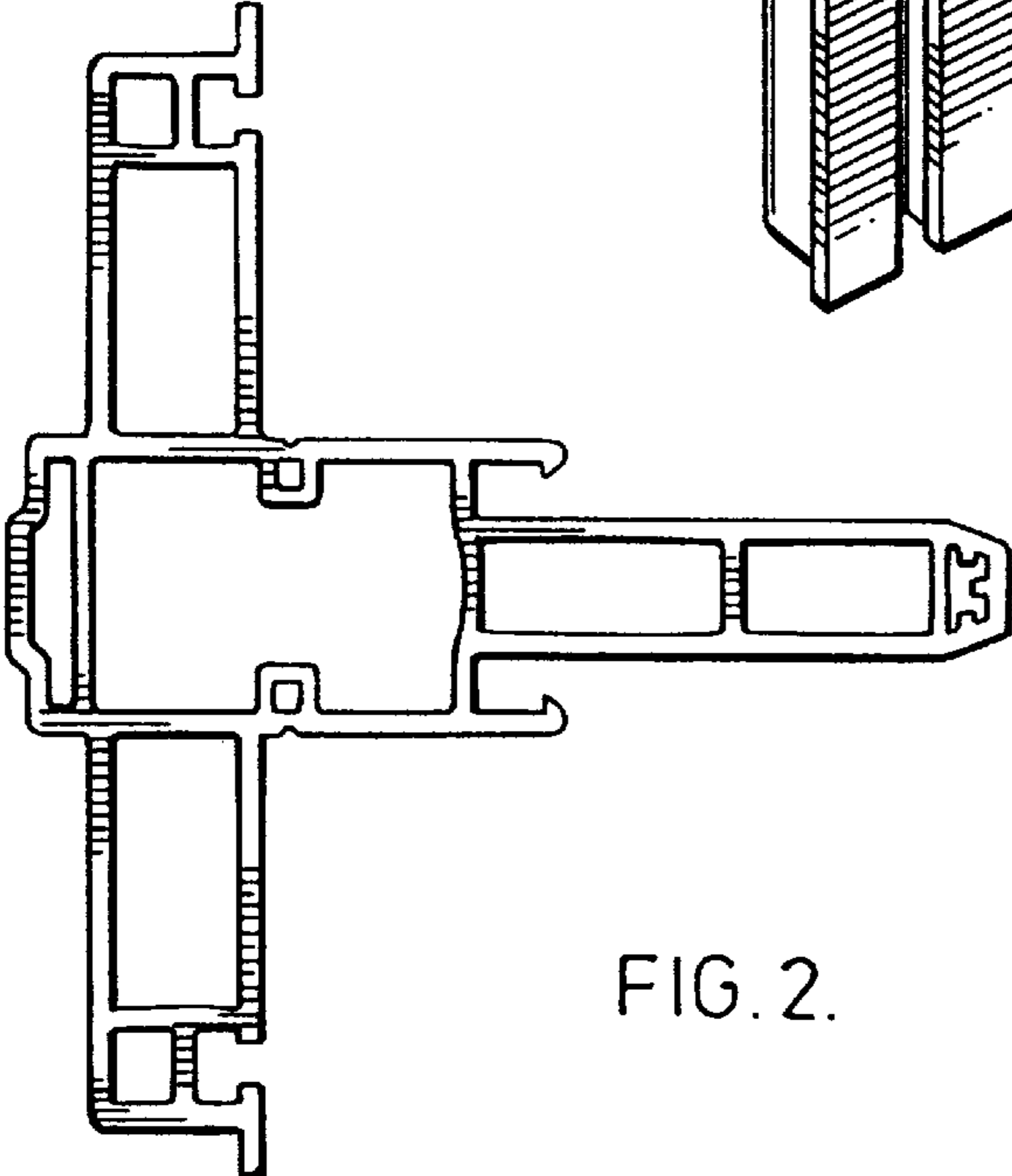
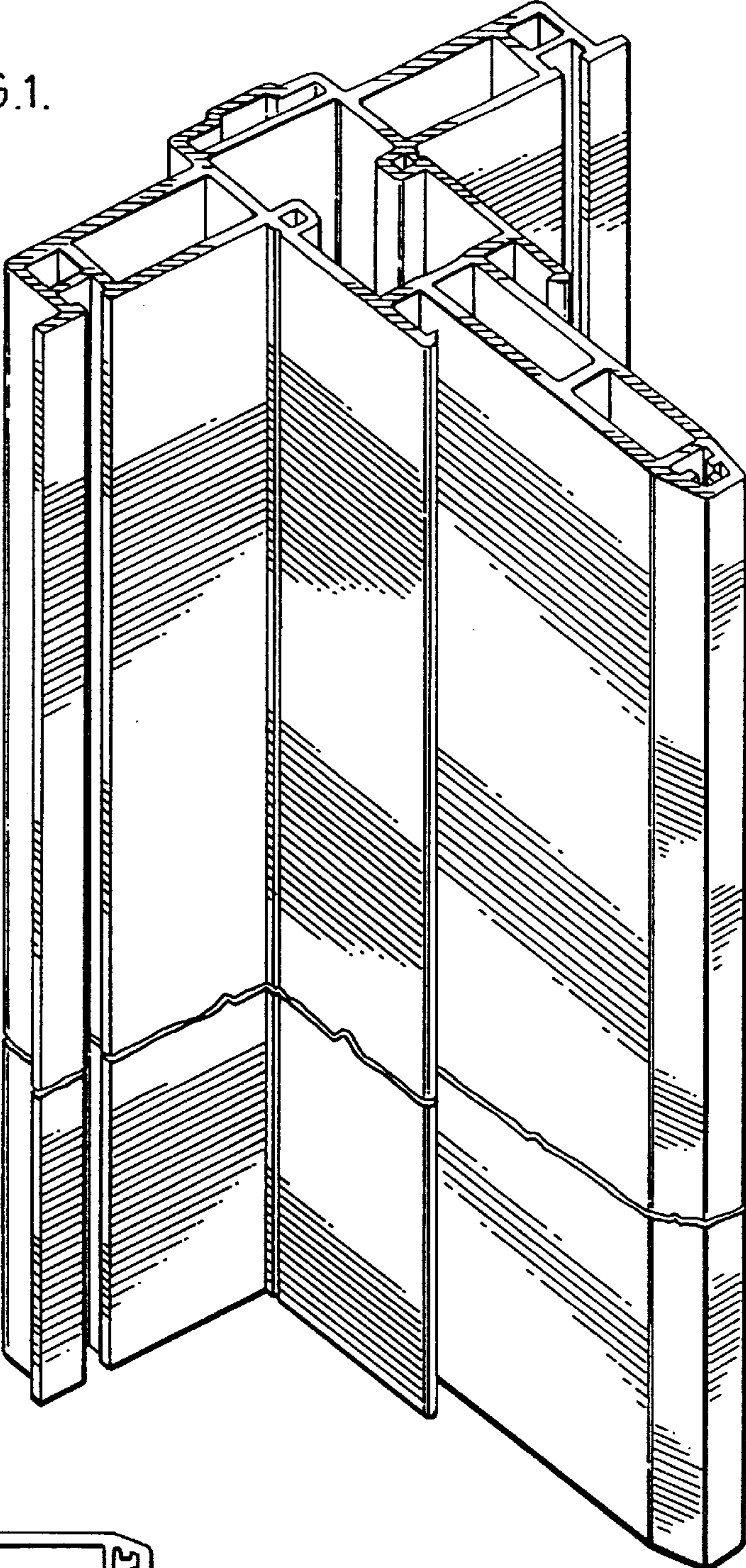


FIG. 2.