



US00D395522S

United States Patent [19]
Roberts

[11] **Patent Number: Des. 395,522**

[45] **Date of Patent: **Jun. 23, 1998**

[54] **LADDER CAP**

[76] Inventor: **Norris Roberts**, 575 Mill Pond Rd.,
Lamar, Miss. 38642

[**] Term: **14 Years**

[21] Appl. No.: **58,507**

[22] Filed: **Aug. 16, 1996**

[51] **LOC (6) Cl.** **25-04**

[52] **U.S. Cl.** **D25/68**

[58] **Field of Search** D25/68; 248/238;
182/129, 173

[56] **References Cited**

U.S. PATENT DOCUMENTS

D. 273,996 5/1984 Rasler D25/68
4,949,925 8/1990 Gorecki 248/238

Primary Examiner—Doris Clark

Attorney, Agent, or Firm—Pravel, Hewitt, Kimball &
Krieger

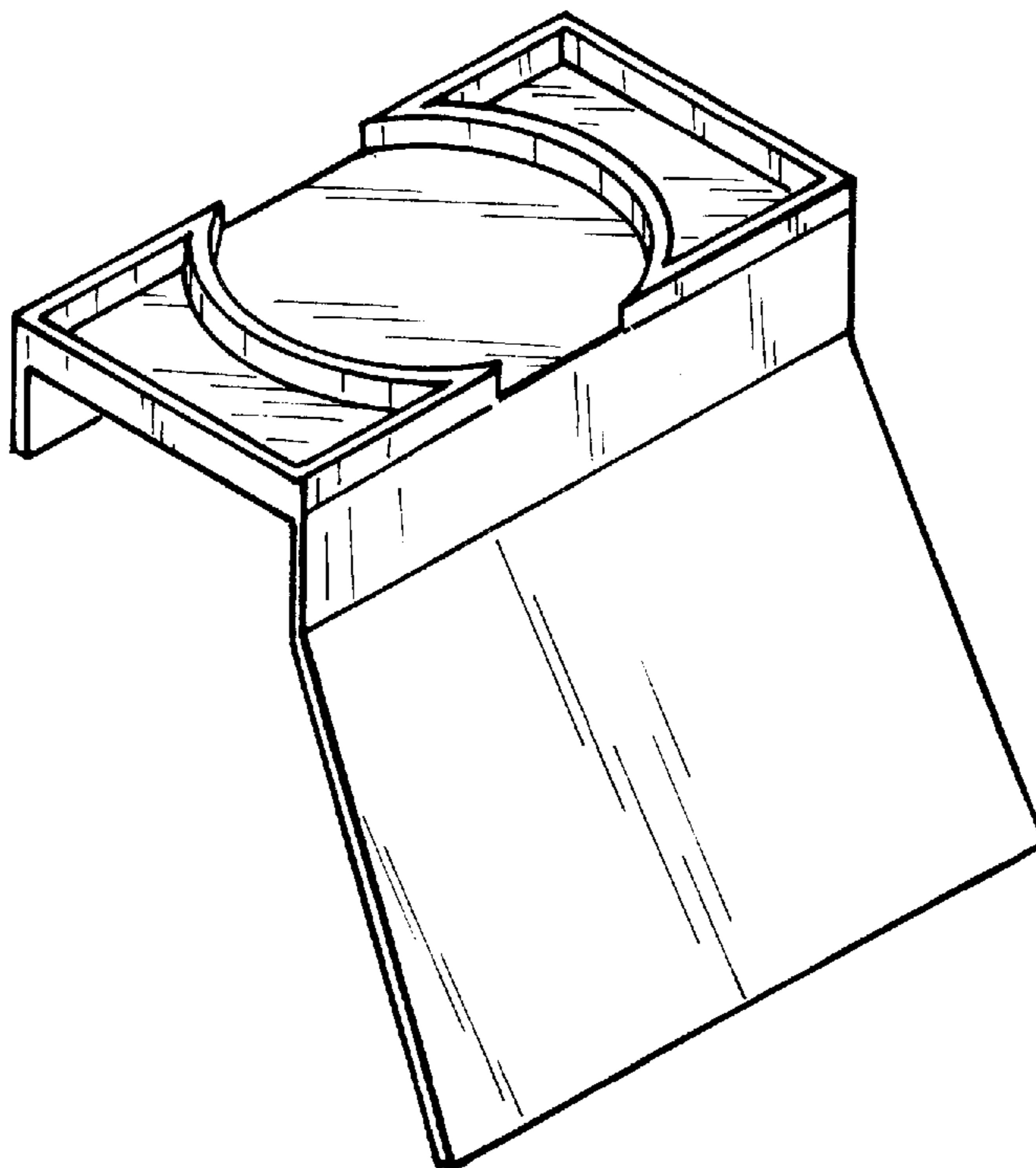
[57] **CLAIM**

The ornamental design for the “ladder cap”, as shown and described.

DESCRIPTION

FIG. 1 is a perspective view of the said “ladder cap” illustrating my new design;
FIG. 2 is a top plan view the said “ladder cap”;
FIG. 3 is a left side elevational view thereof;
FIG. 4 is a front elevational view thereof;
FIG. 5 is a rear elevational view thereof;
FIG. 6 is a bottom plan view thereof;
FIG. 7 is a perspective view of said “ladder cap” illustrated as installed on the top of a step ladder. The ladder is shown in broken lines for illustrative purposes only, and forms no part of the claimed design;
FIG. 8 is a perspective view of a second embodiment of the present invention; and,
FIG. 9 is a perspective view of a third embodiment of the present invention.

1 Claim, 3 Drawing Sheets



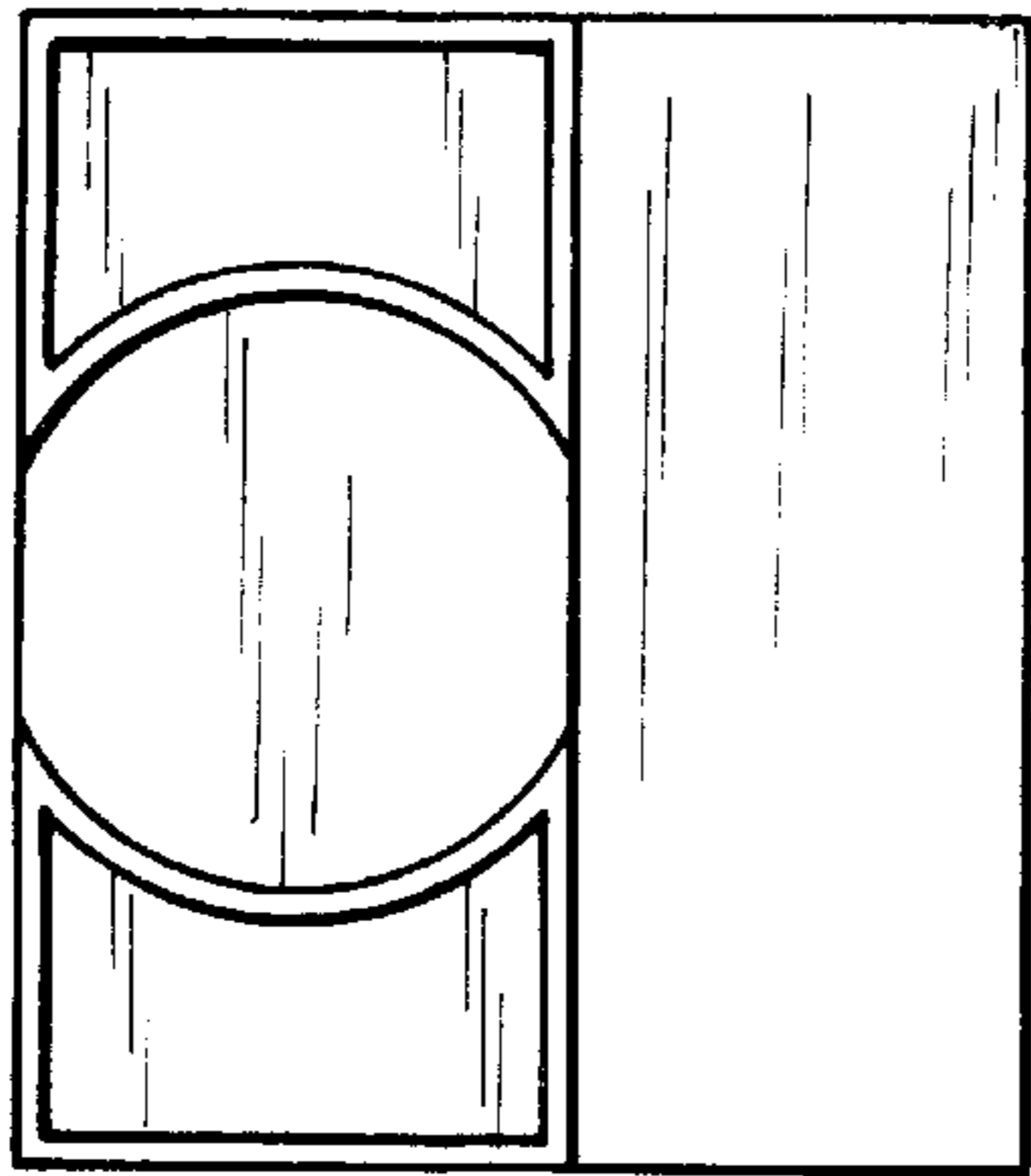


FIG. 2

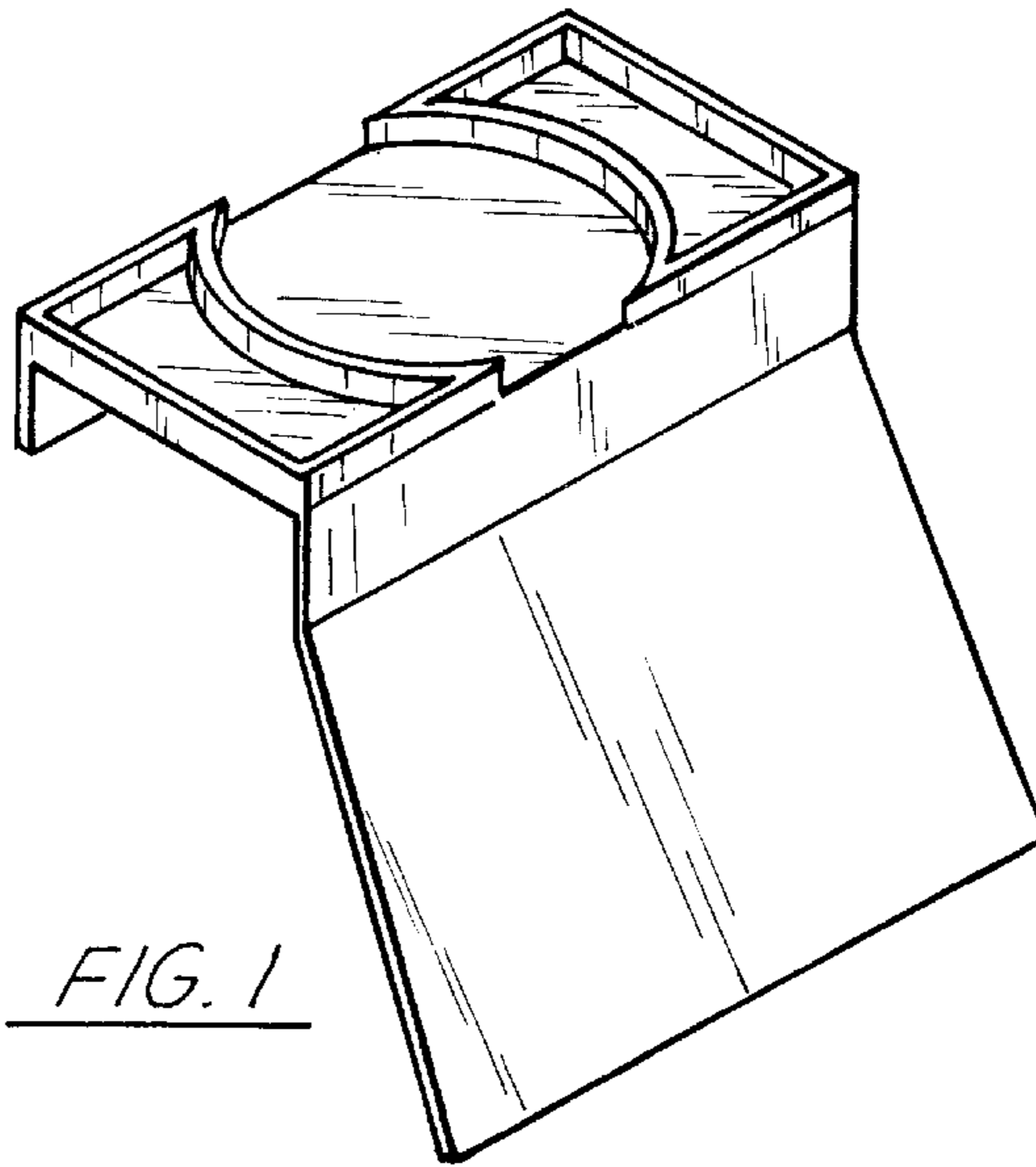


FIG. 1

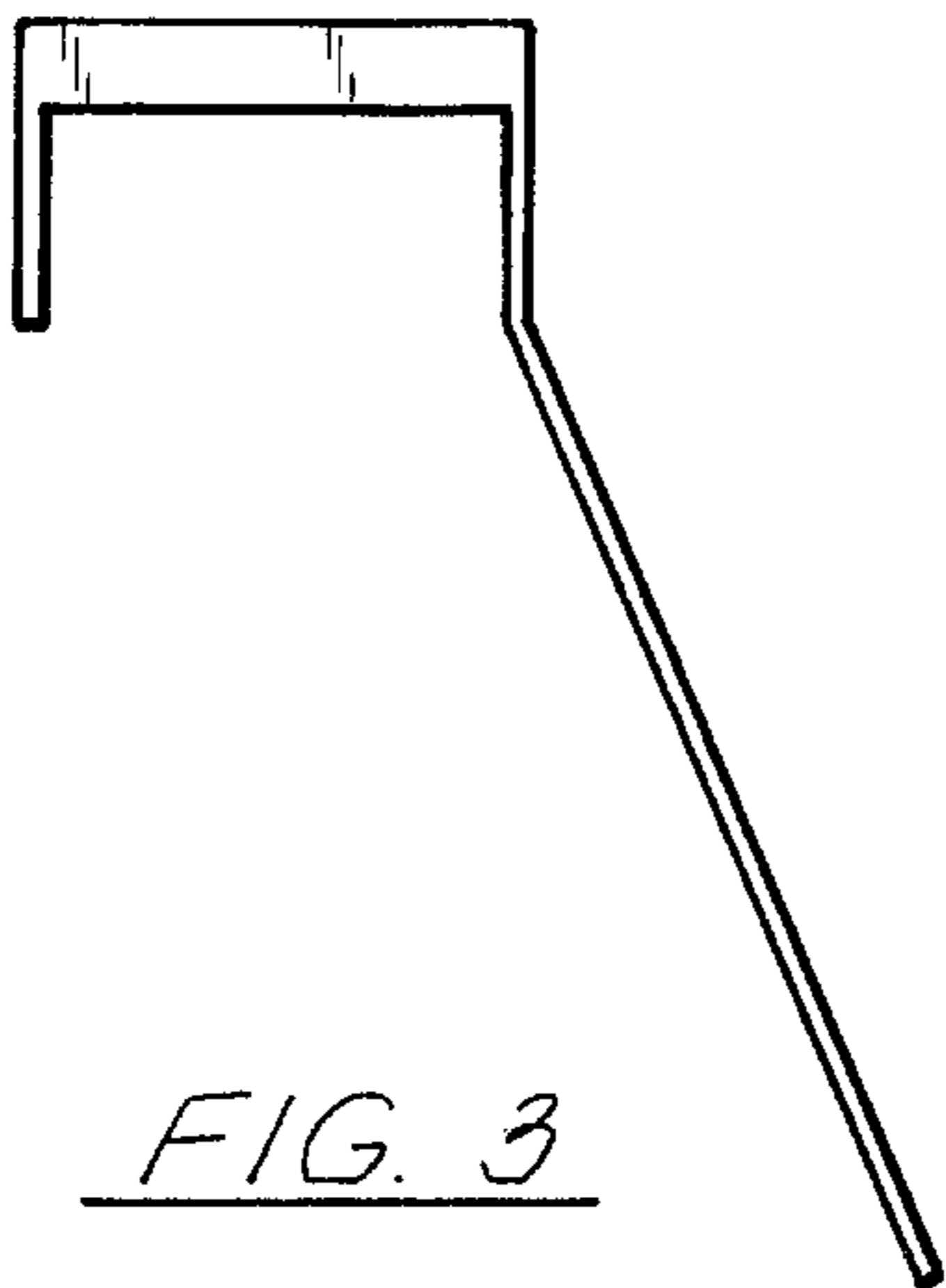


FIG. 3

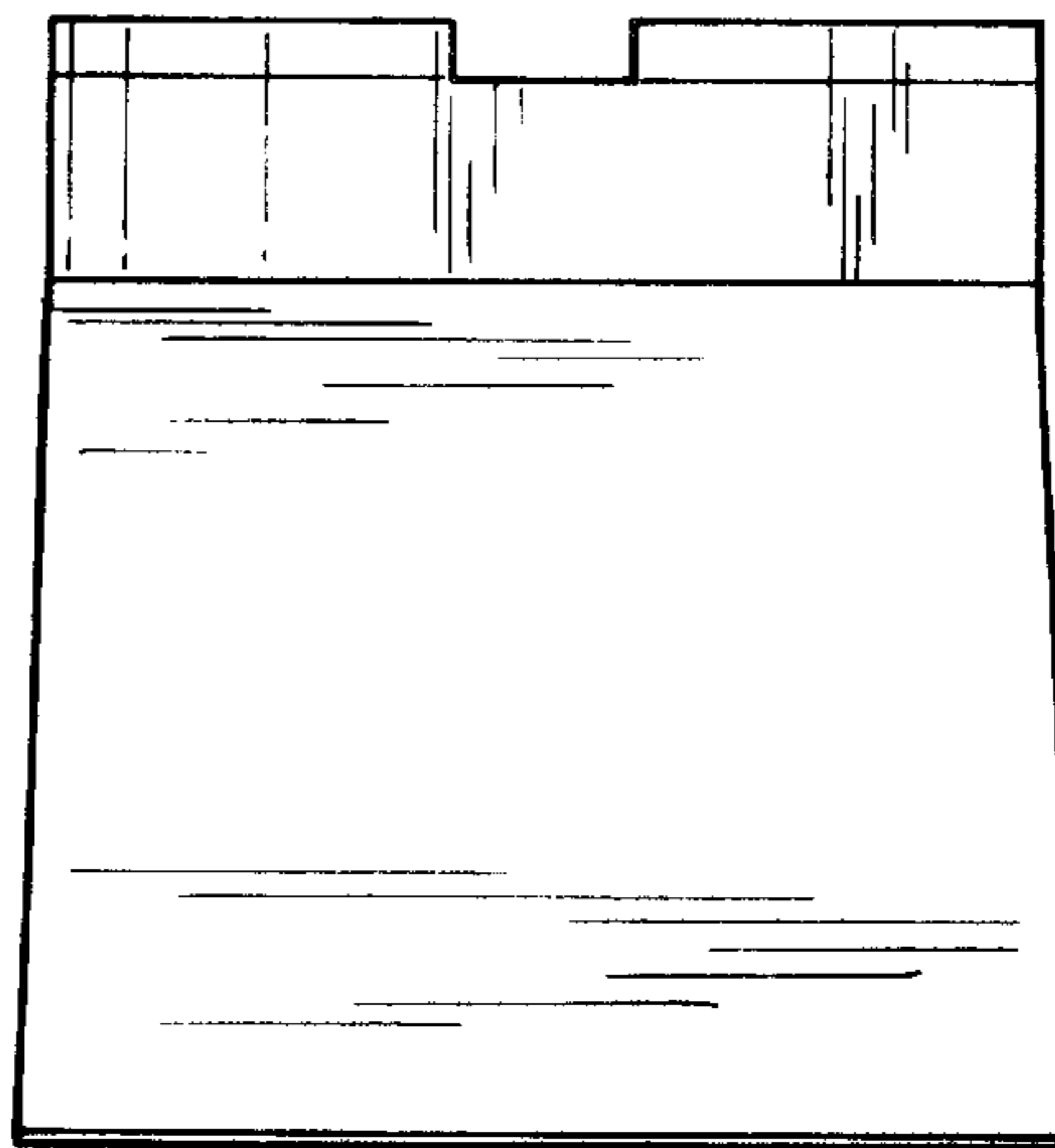


FIG. 4

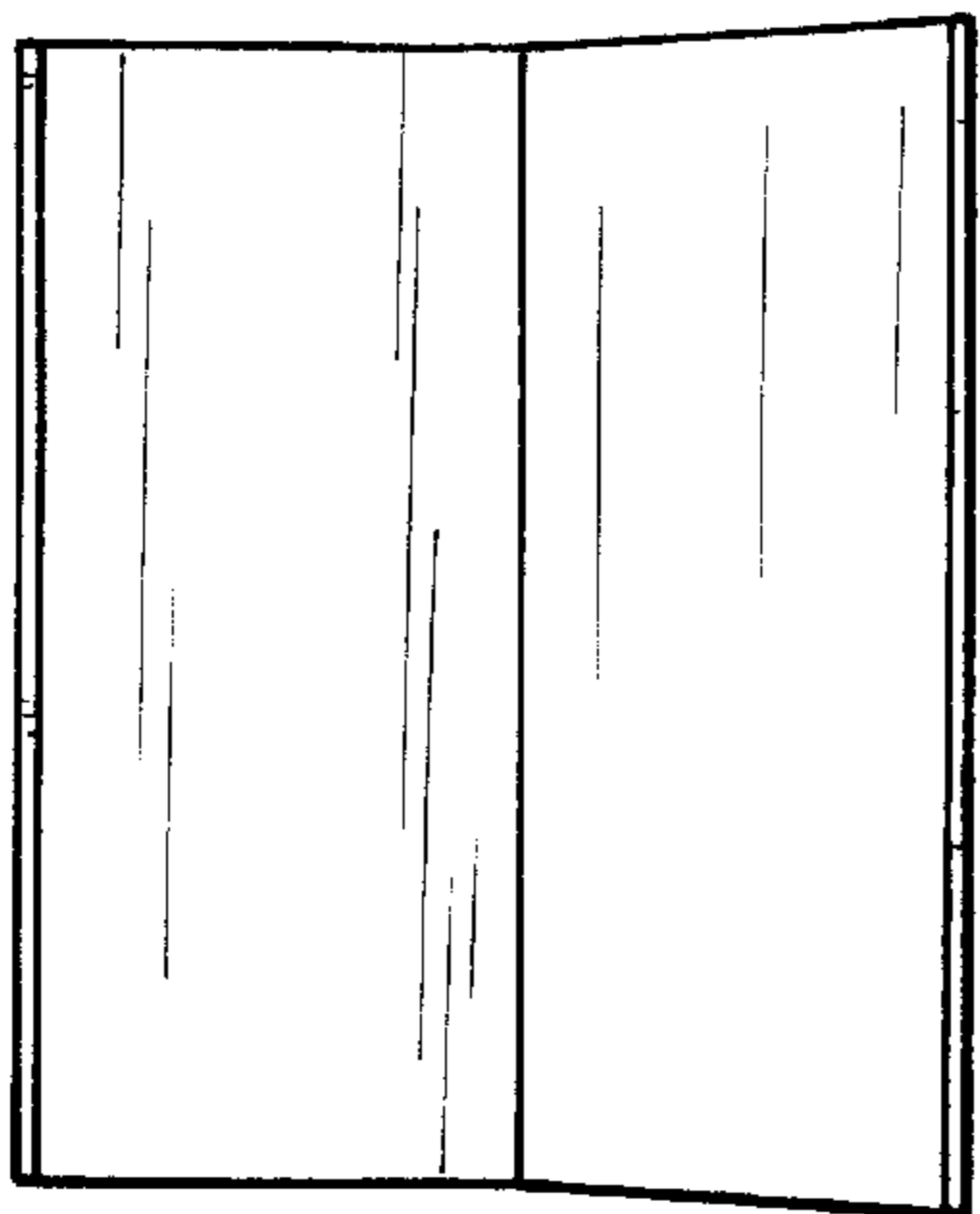


FIG. 6

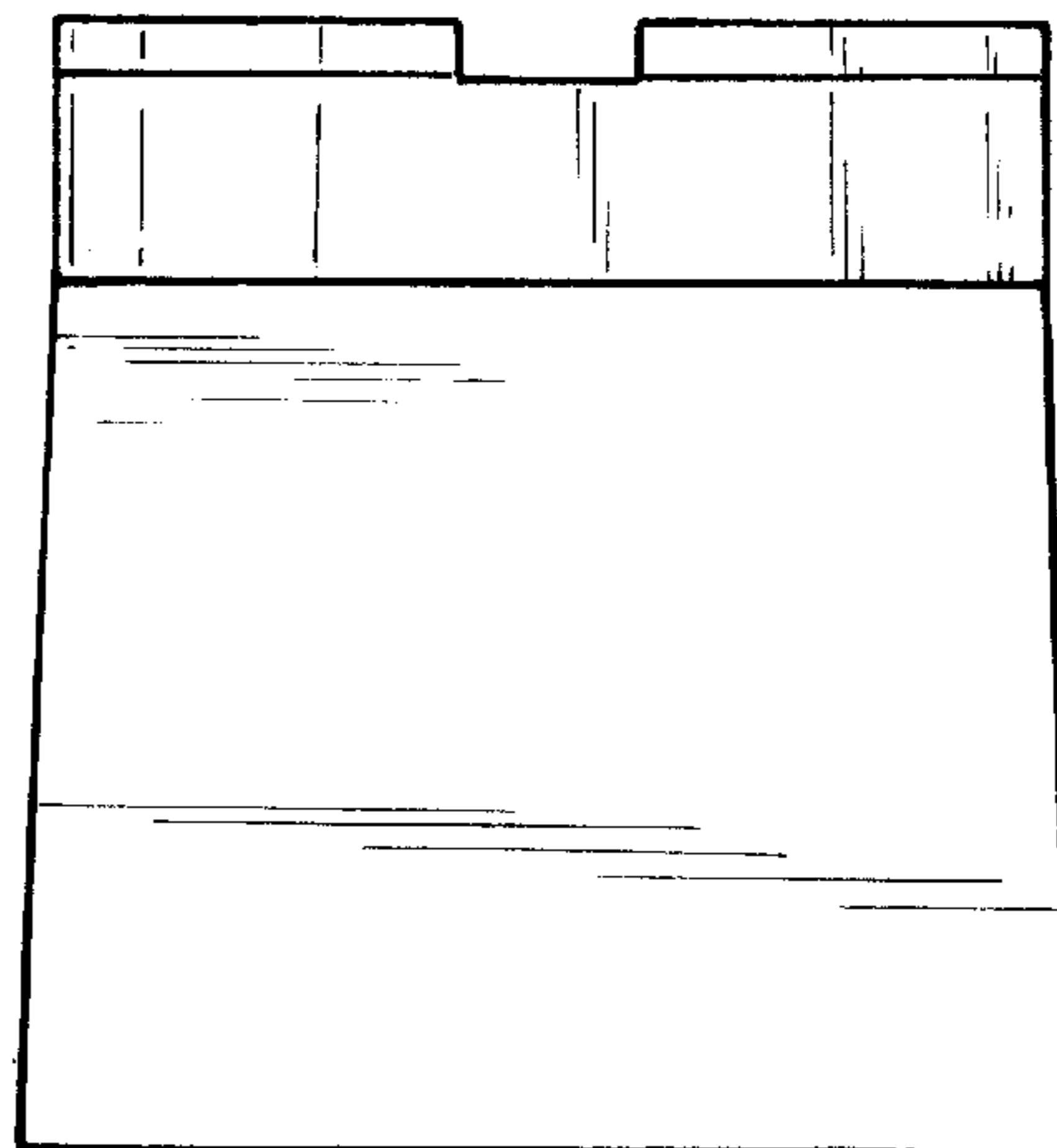


FIG. 5

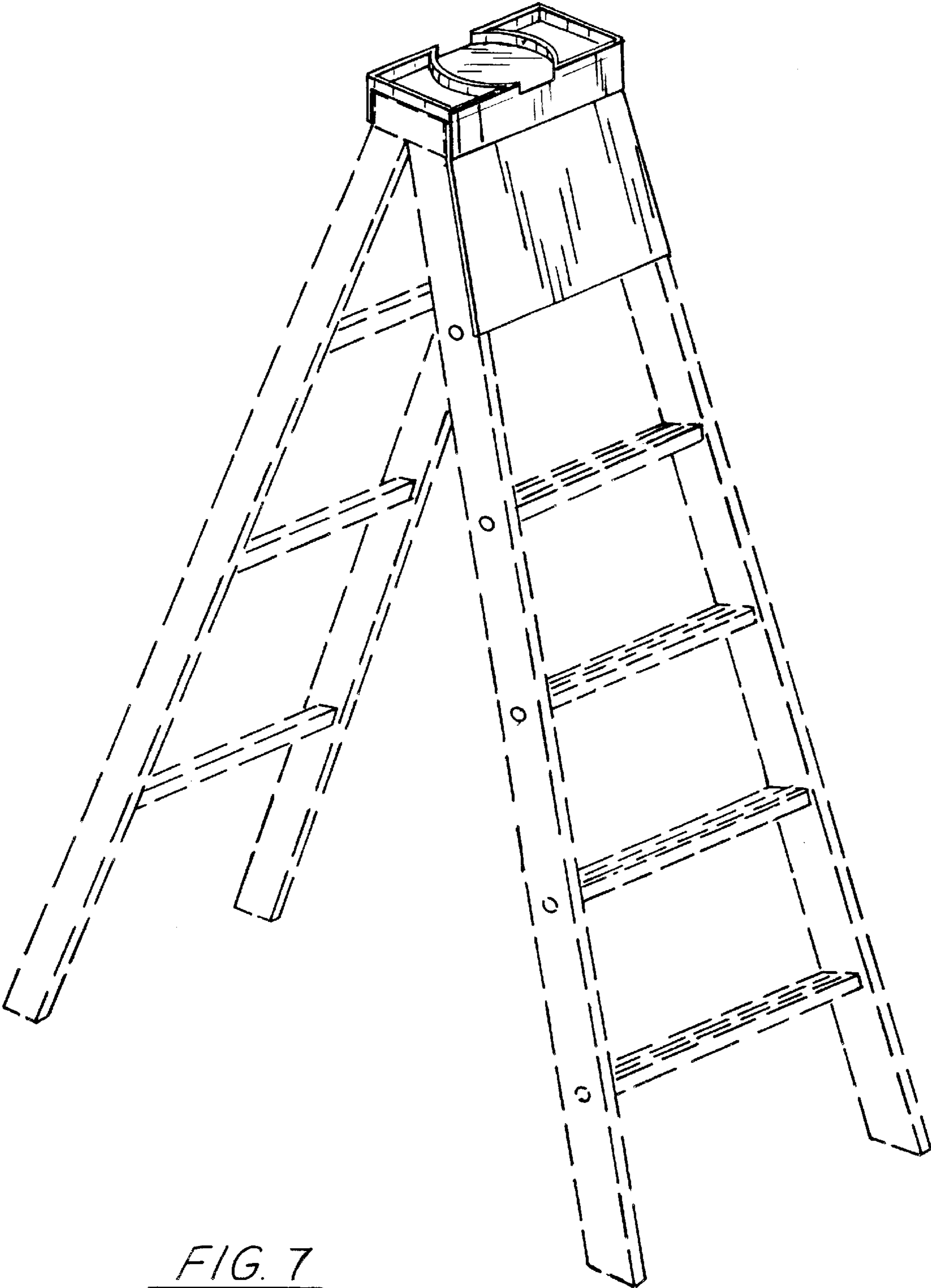


FIG. 7

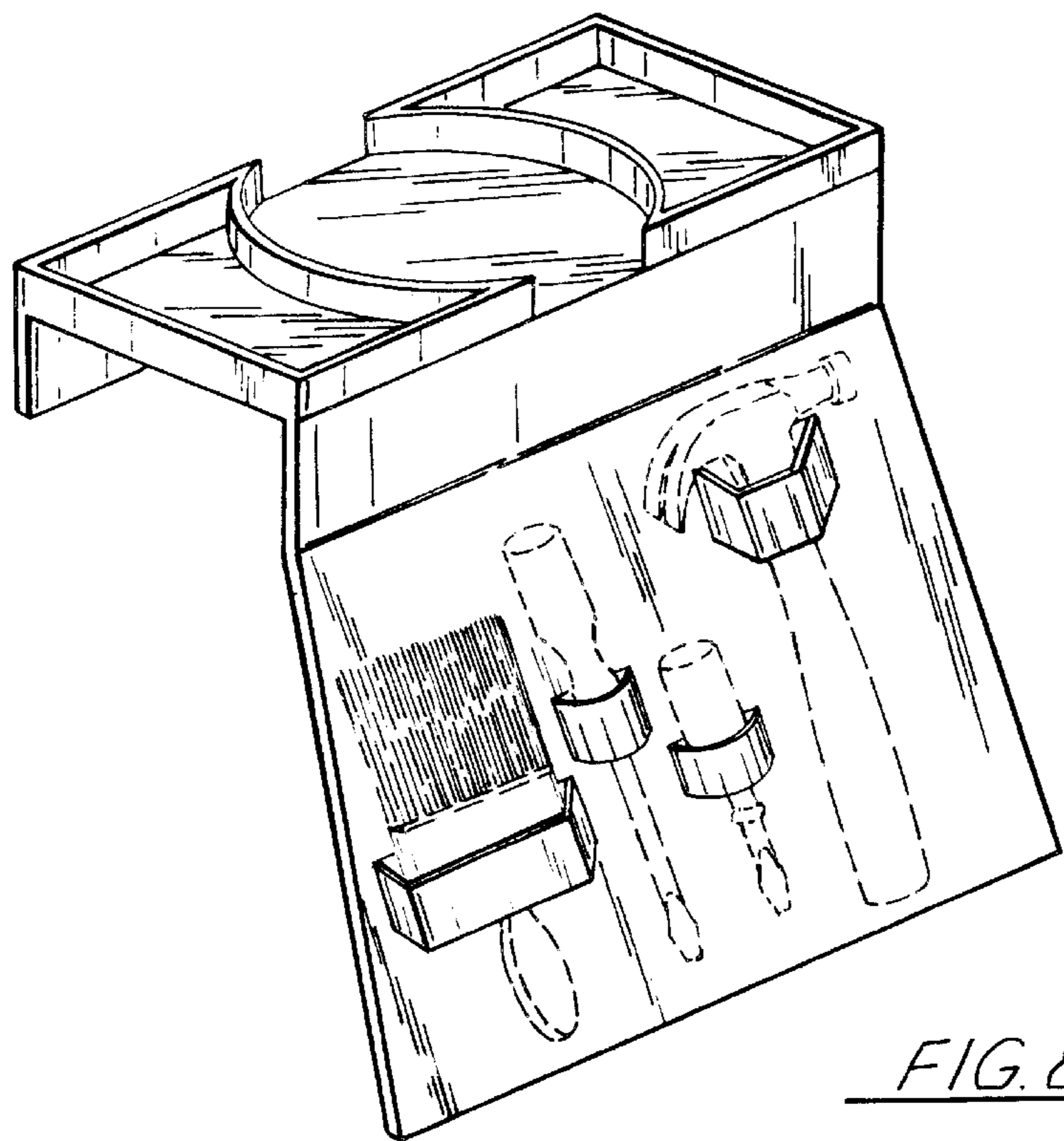


FIG. 8

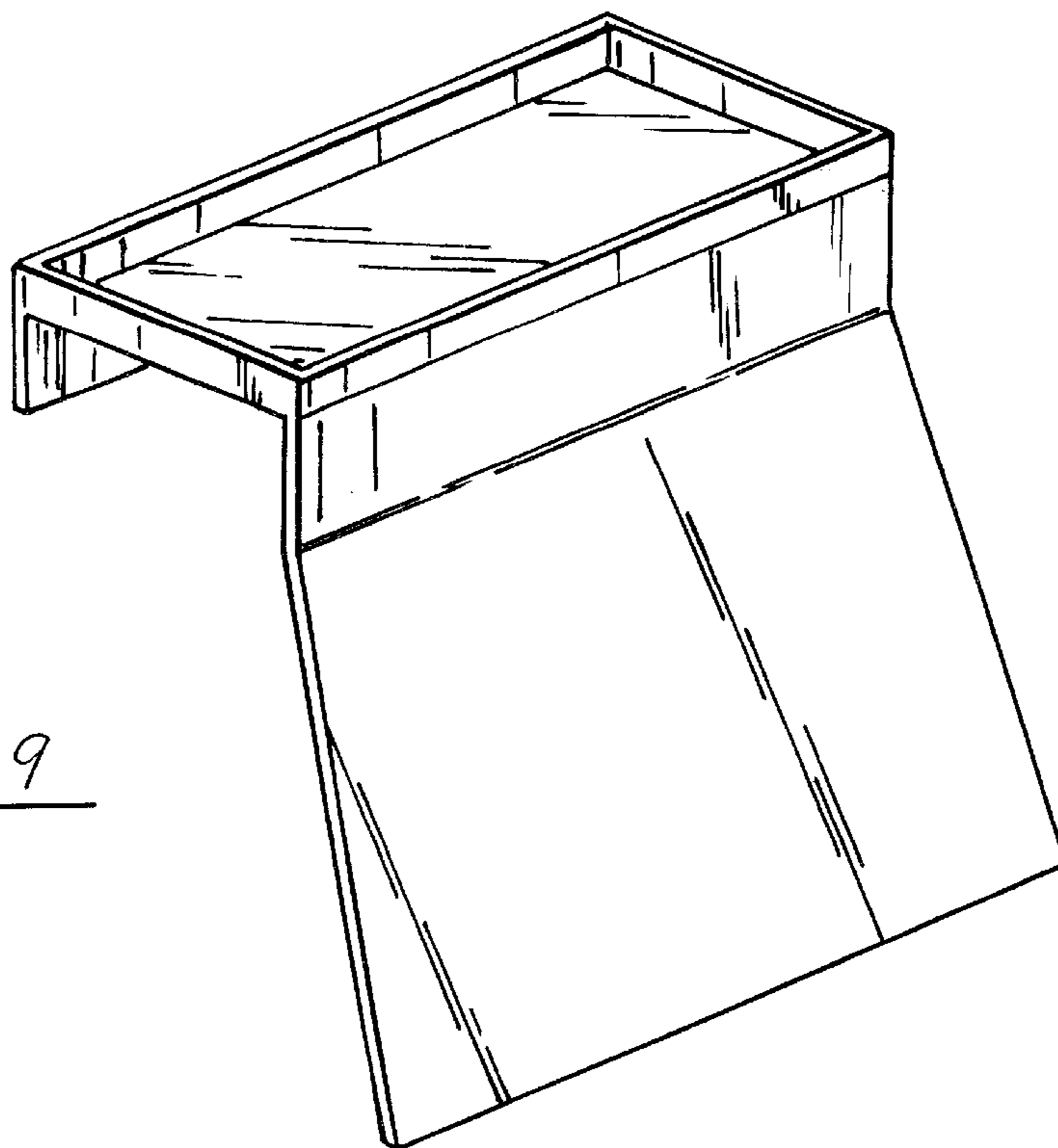


FIG. 9