



US00D395513S

United States Patent [19]

Rogler

[11] Patent Number: **Des. 395,513**

[45] Date of Patent: ****Jun. 23, 1998**

[54] **PORTABLE MEDICAL MONITOR WITH DISPLAY**

[75] Inventor: **Dietrich Rogler**, Horb, Germany

[73] Assignee: **Hewlett-Packard Company**, Palo Alto, Calif.

[**] Term: **14 Years**

[21] Appl. No.: **67,766**

[22] Filed: **Mar. 3, 1997**

[30] **Foreign Application Priority Data**

Sep. 10, 1996 [DE] Germany 96 07 778.6

[51] **LOC (6) Cl.** **24-01**

[52] **U.S. Cl.** **D24/186**

[58] **Field of Search** D24/186; 128/630, 128/633, 668, 670, 679, 700, 710, 712, 721

[56] **References Cited**

U.S. PATENT DOCUMENTS

D. 238,905	2/1976	Sokl	D24/186
D. 328,645	8/1992	Roeler et al.	D24/186
D. 370,769	6/1996	Bloom et al.	D24/165
D. 381,749	7/1997	Lawrence et al.	D24/169

Primary Examiner—Stella Reid

[57] **CLAIM**

The ornamental design for a portable medical monitor with display, as shown and described.

DESCRIPTION

FIG. 1 is a front, right side perspective view of a portable medical monitor with display, showing my new design; FIG. 2 is a front, left side perspective view thereof; FIG. 3 is a rear, left side perspective view thereof; and, FIG. 4 is a rear, right side perspective view thereof.

1 Claim, 4 Drawing Sheets

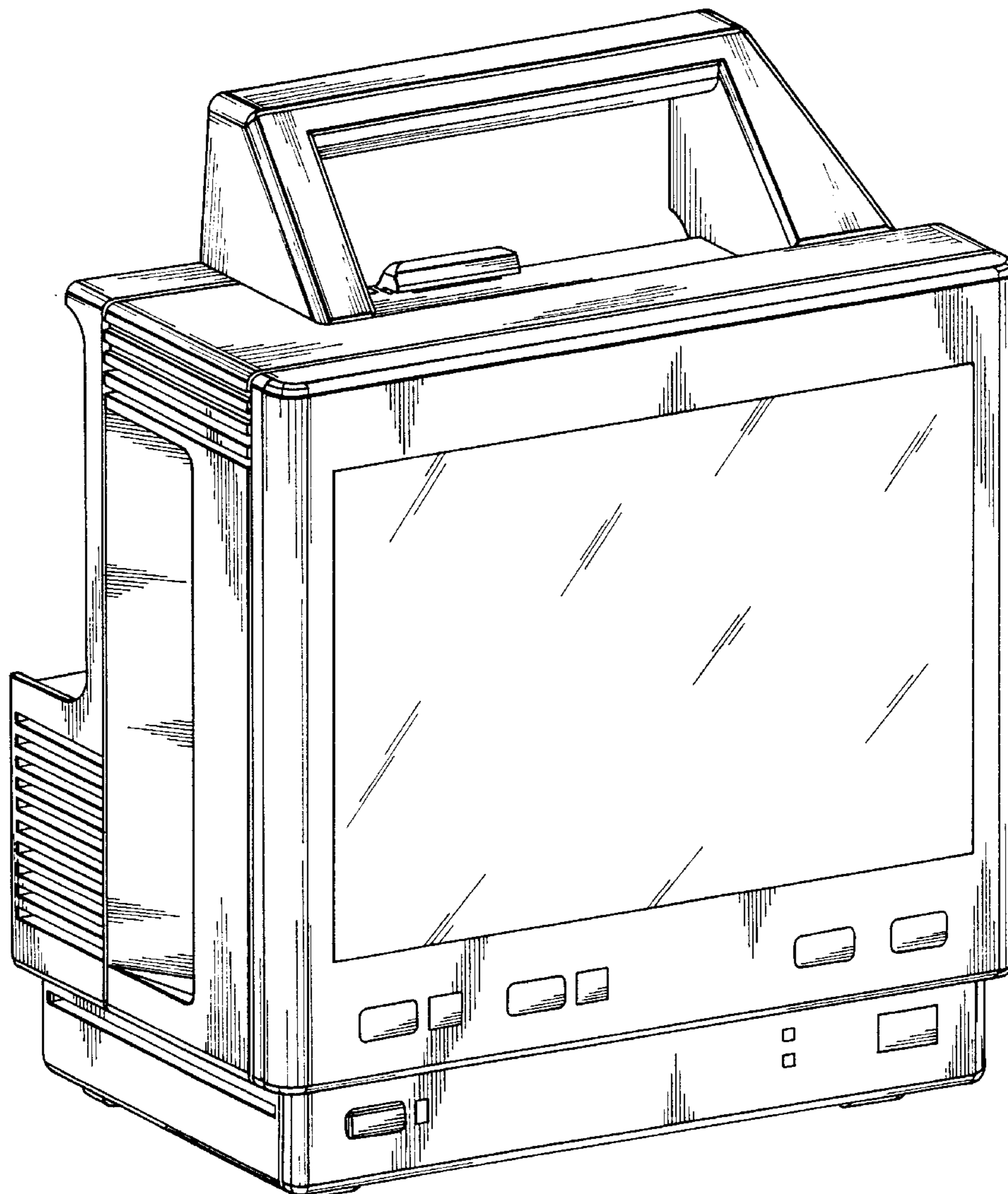


FIG. 1.

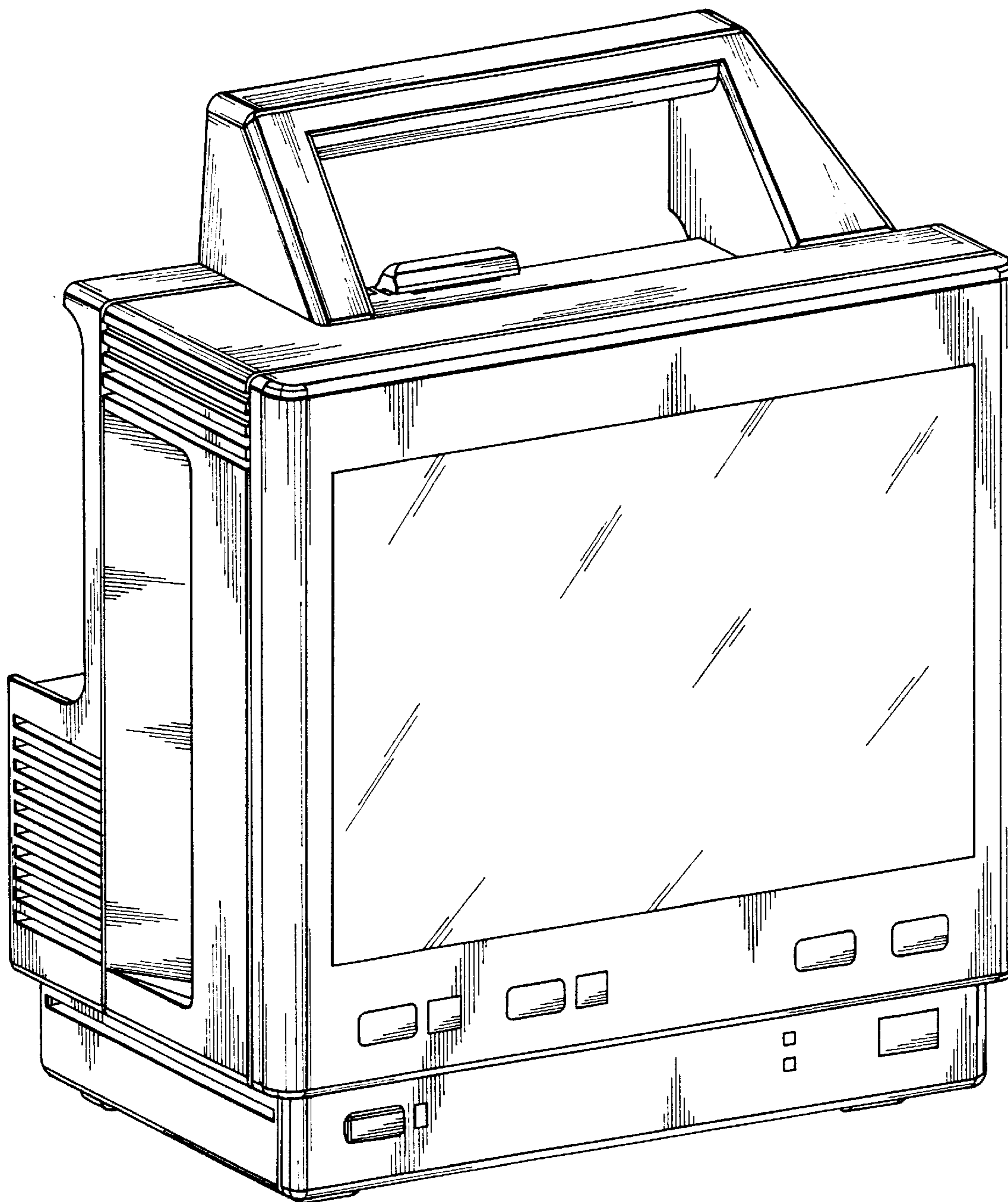


FIG. 2.

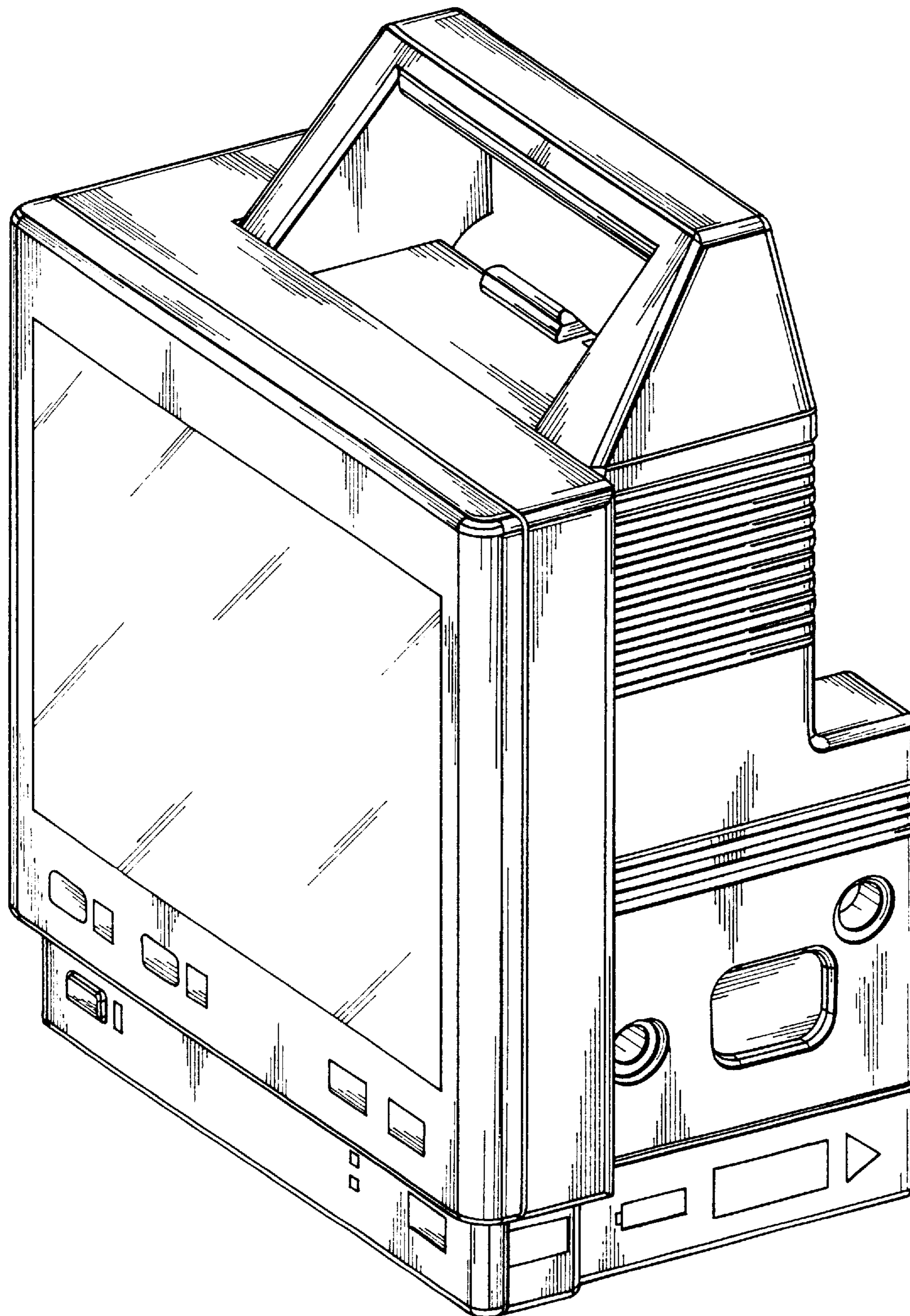


FIG. 3.

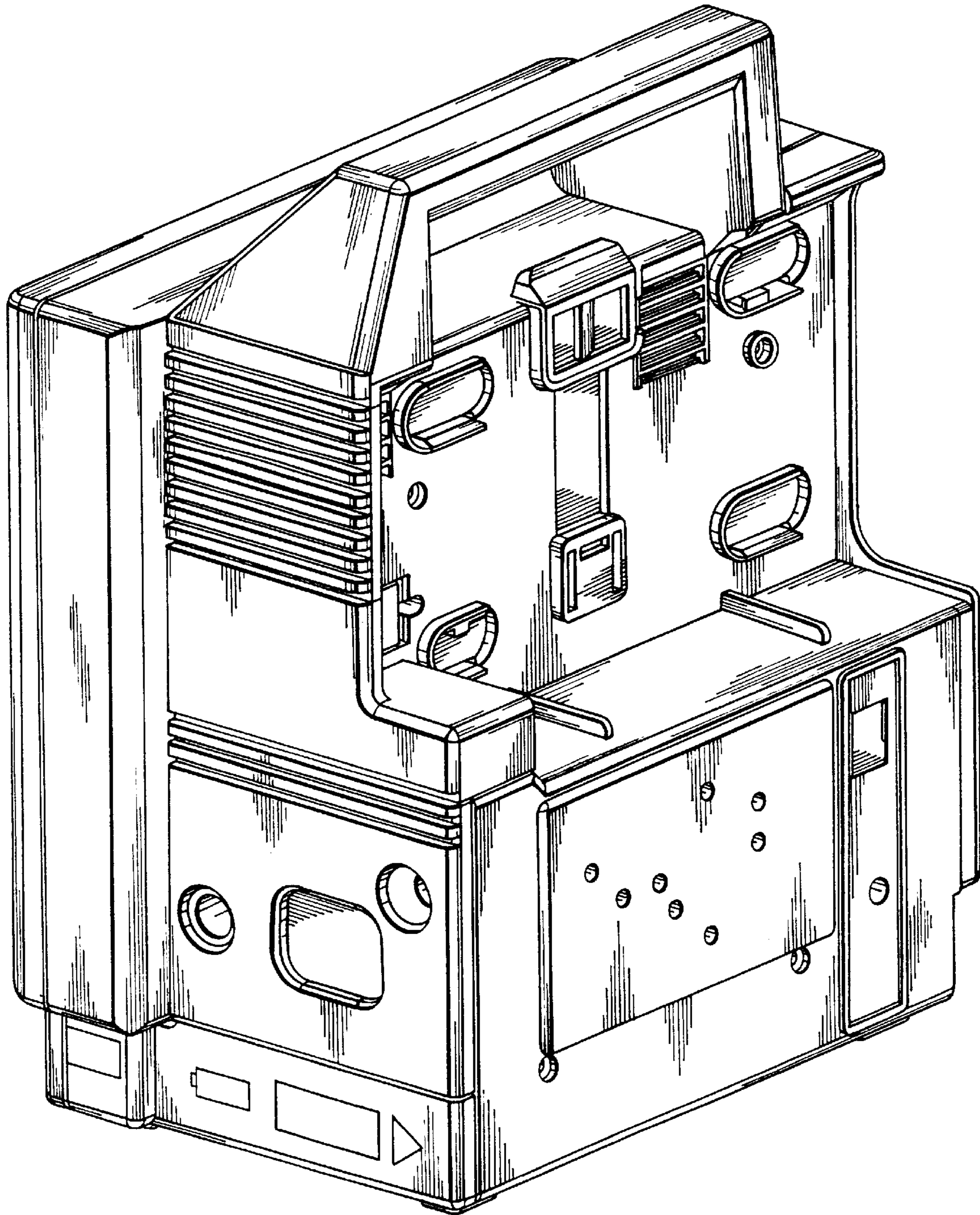


FIG. 4.

