



US00D395510S

**United States Patent** [19]  
**Furnish**

[11] **Patent Number: Des. 395,510**

[45] **Date of Patent: \*\*Jun. 23, 1998**

[54] **CORONARY STABILIZING RETRACTOR**

[75] Inventor: **Greg Furnish**, Lawrenceville, Ga.

[73] Assignee: **Genzyme Corporation**, Framingham, Mass.

[\*\*] Term: **14 Years**

[21] Appl. No.: **55,732**

[22] Filed: **Apr. 26, 1996**

[51] **LOC (6) Cl.** ..... **24-02**

[52] **U.S. Cl.** ..... **D24/135**

[58] **Field of Search** ..... D24/135; 600/201, 600/217, 236, 210; 606/141, 142, 131

[56] **References Cited**

**U.S. PATENT DOCUMENTS**

D. 317,202	5/1991	Torre	.....	D24/135
D. 358,470	5/1995	Quigley et al.	.....	D24/135
3,409,013	11/1968	Berry	.....	600/201 X
3,882,855	5/1975	Schulte et al.	.....	600/201 X
3,943,592	3/1976	Bhaskar et al.	.....	600/240 X
4,052,980	10/1977	Grams et al.	.....	600/211 X
4,457,300	7/1984	Budde	.....	600/228
4,616,634	10/1986	Vargas Garcia	.....	600/210
5,167,223	12/1992	Koros et al.	.....	600/232
5,222,976	6/1993	Yoon	.....	606/223
5,304,183	4/1994	Gourley et al.	.....	606/142

5,337,736	8/1994	Reddy	.....	600/217
5,380,339	1/1995	Webster	.....	606/131
5,429,118	7/1995	Cole et al.	.....	600/121
5,449,374	9/1995	Dunn et al.	.....	600/214 X
5,509,890	4/1996	Kazama	.....	600/37
5,518,503	5/1996	Rooney et al.	.....	600/240
5,558,621	9/1996	Heil	.....	600/201 X

**OTHER PUBLICATIONS**

Aesculap® General Surgical Catalogue (C-214730), Feb. 1983 (4 pages).

*Primary Examiner*—Doris Clark  
*Attorney, Agent, or Firm*—Needle & Rosenberg, P.C.

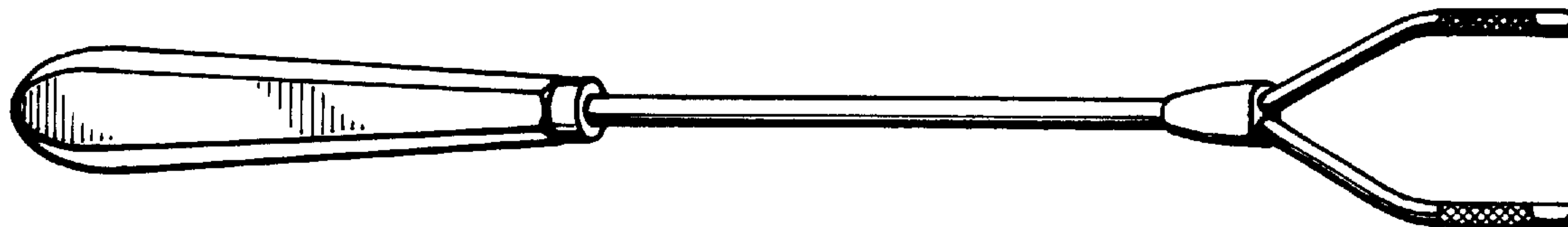
[57] **CLAIM**

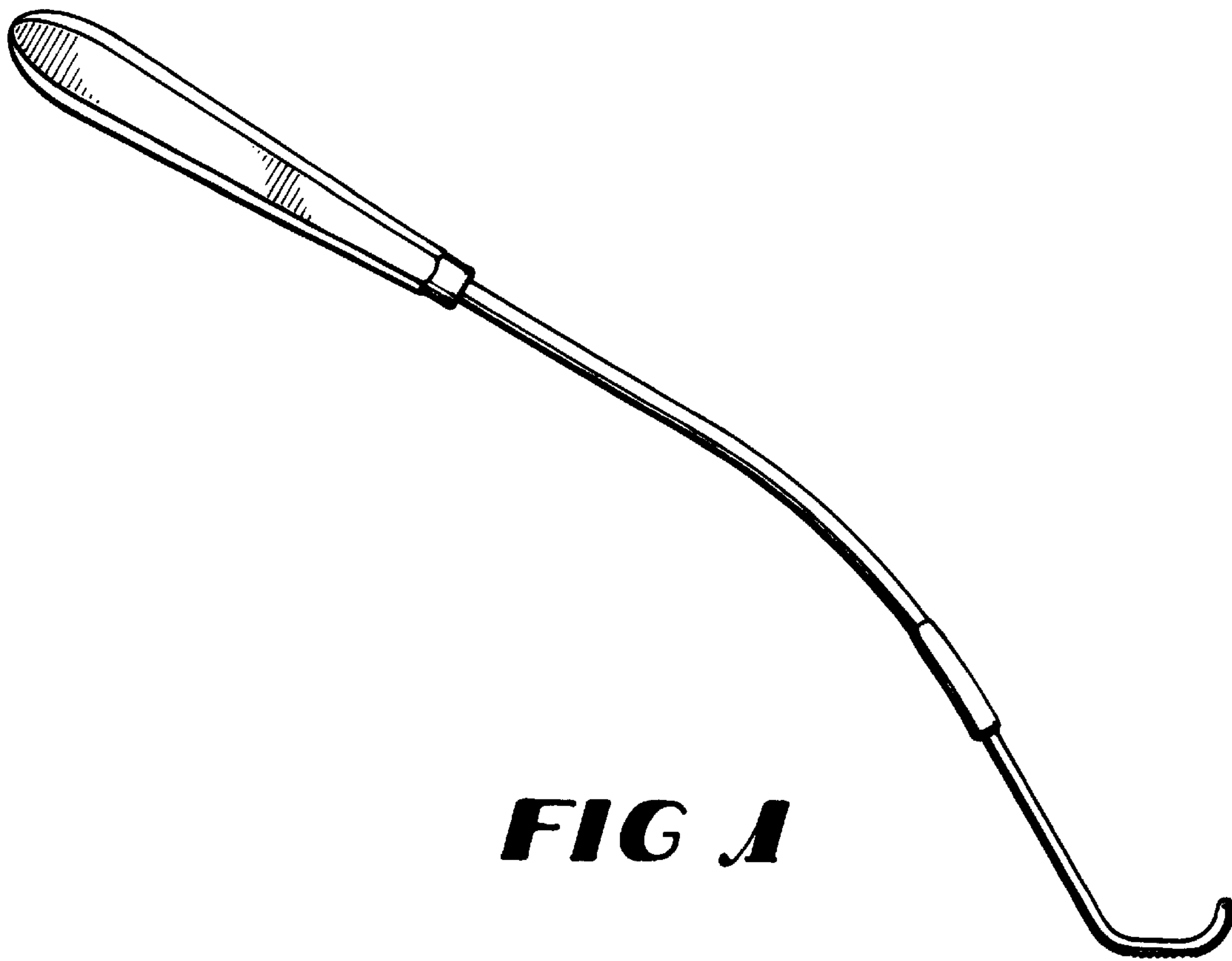
The ornamental design for a coronary stabilizing retractor, as shown and described.

**DESCRIPTION**

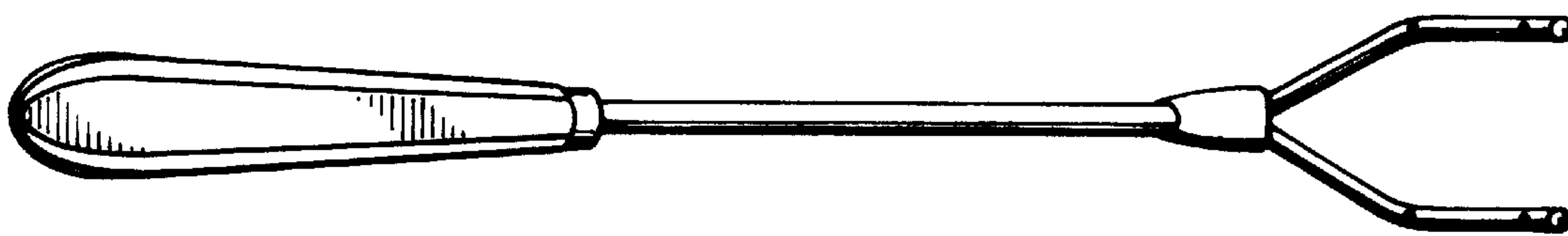
FIG. 1 is a right side elevational view of my new design for a coronary stabilizing retractor;  
FIG. 2 is a top plan view thereof;  
FIG. 3 is a bottom plan view thereof;  
FIG. 4 is a left side elevational view thereof;  
FIG. 5 is a front elevational view of the coronary stabilizing retractor of FIG. 1; and,  
FIG. 6 is a rear elevational view of the coronary stabilizing retractor of FIG. 1.

**1 Claim, 2 Drawing Sheets**

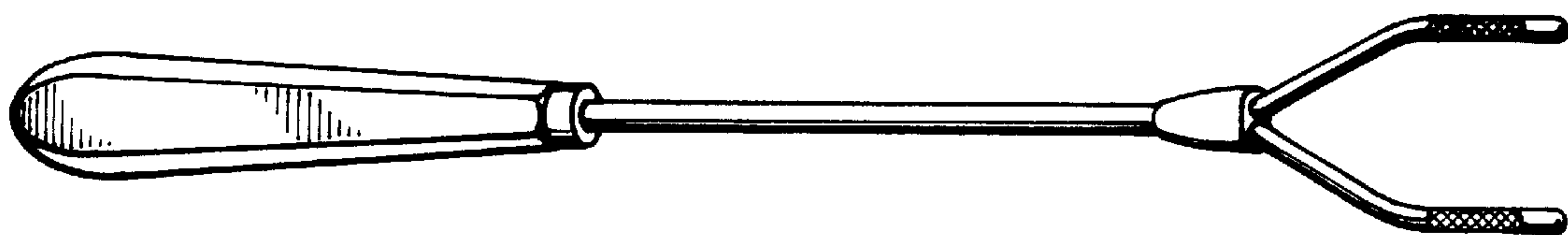




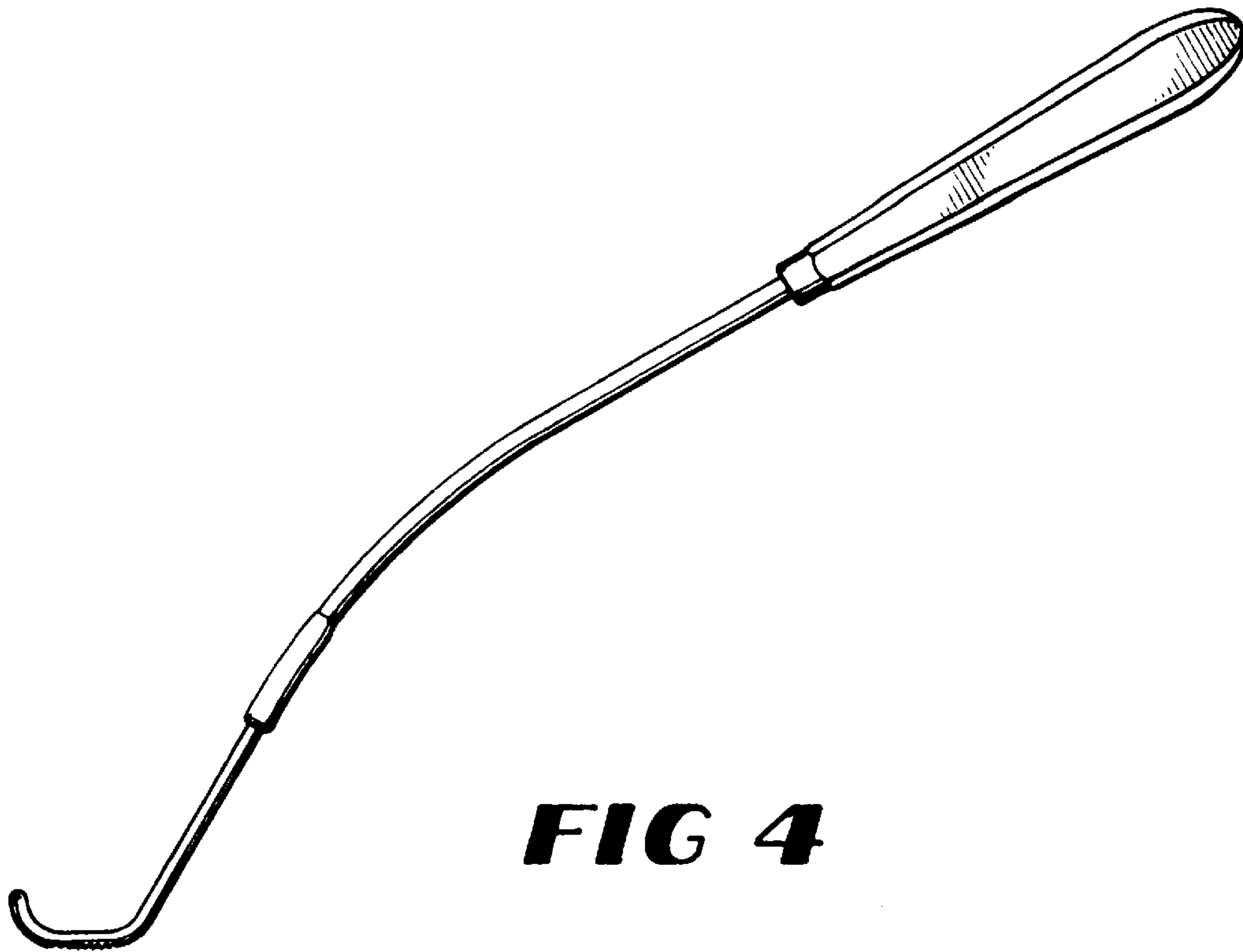
**FIG 1**



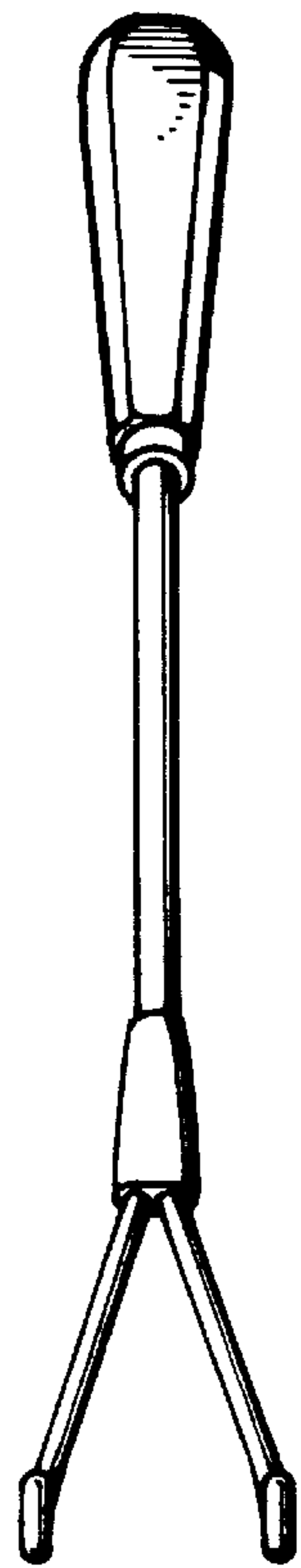
**FIG 2**



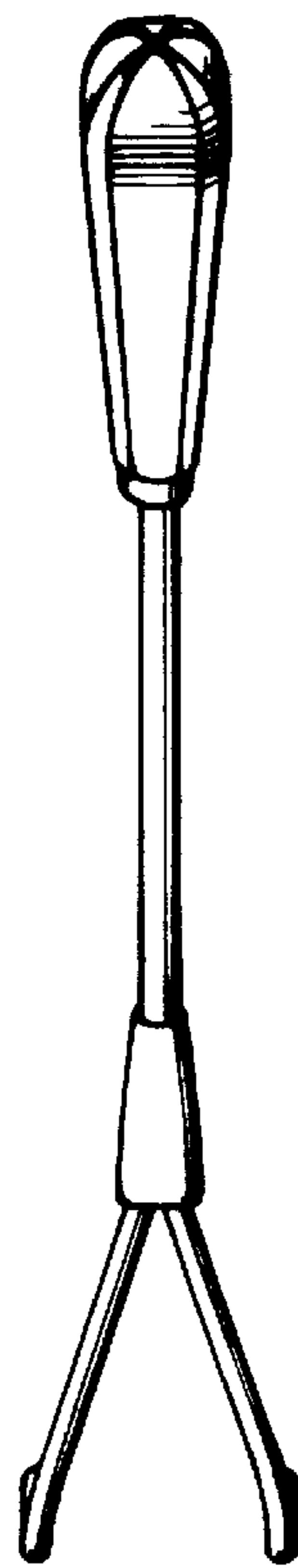
**FIG 3**



**FIG 4**



**FIG 5**



**FIG 6**