



US00D395502S

United States Patent [19]

Deily et al.

[11] Patent Number: **Des. 395,502**

[45] Date of Patent: ****Jun. 23, 1998**

[54] **CATHETER PLUG**

[75] Inventors: **Michael Francis Deily**, Tustin; **Terry Keneth Prince**, Mission Viejo, both of Calif.

[73] Assignee: **McGaw, Inc.**, Irvine, Calif.

[**] Term: **14 Years**

[21] Appl. No.: **53,314**

[22] Filed: **Mar. 19, 1996**

Related U.S. Application Data

[63] Continuation of Ser. No. 21,738, Apr. 22, 1994, abandoned.

[51] **LOC (6) Cl.** **24-02**

[52] **U.S. Cl.** **D24/112; D24/129**

[58] **Field of Search** **D24/112, 129, D24/128, 127, 108; 604/280, 283, 244, 905, 403, 413**

[56] References Cited

U.S. PATENT DOCUMENTS

D. 321,251	10/1991	Jepson et al.	D24/112
D. 327,318	6/1992	Pudar et al.	D24/112
4,639,019	1/1987	Mittleman	604/283 X
5,071,413	12/1991	Utterberg	604/283
5,167,648	12/1992	Jepson et al.	604/283
5,199,948	4/1993	McPhee	604/86
5,279,571	1/1994	Larkin	604/167

OTHER PUBLICATIONS

Drawing No. Z77-385, entitled "Catheter Plug, Safeline, Assy," initiated on Dec. 2, 1992 for McGaw, Inc.

Primary Examiner—Stella Reid

Attorney, Agent, or Firm—Christie, Parker & Hale, LLP

[57] CLAIM

The ornamental design for a catheter plug, as shown and described.

DESCRIPTION

FIG. 1 is a perspective view of a catheter plug showing our new design;

FIG. 2 is a front elevational view thereof, the back elevational view being identical;

FIG. 3 is a side elevational view thereof, the opposite side elevational view being identical;

FIG. 4 is a top plan view thereof;

FIG. 5 is a bottom plan view thereof;

FIG. 6 is a perspective view of a second embodiment of a catheter plug showing our new design;

FIG. 7 is a front elevational view thereof, the back elevational view being identical;

FIG. 8 is a top plan view thereof;

FIG. 9 is a bottom plan view thereof;

FIG. 10 is a side elevational view thereof, the opposite side elevational view being identical;

FIG. 11 is a perspective view of a third embodiment of a catheter plug showing our new design;

FIG. 12 is a front elevational view thereof, the back elevational view being identical;

FIG. 13 is a side elevational view thereof, the opposite side elevational view being identical;

FIG. 14 is a bottom plan view thereof; and,

FIG. 15 is a top plan view thereof.

1 Claim, 5 Drawing Sheets

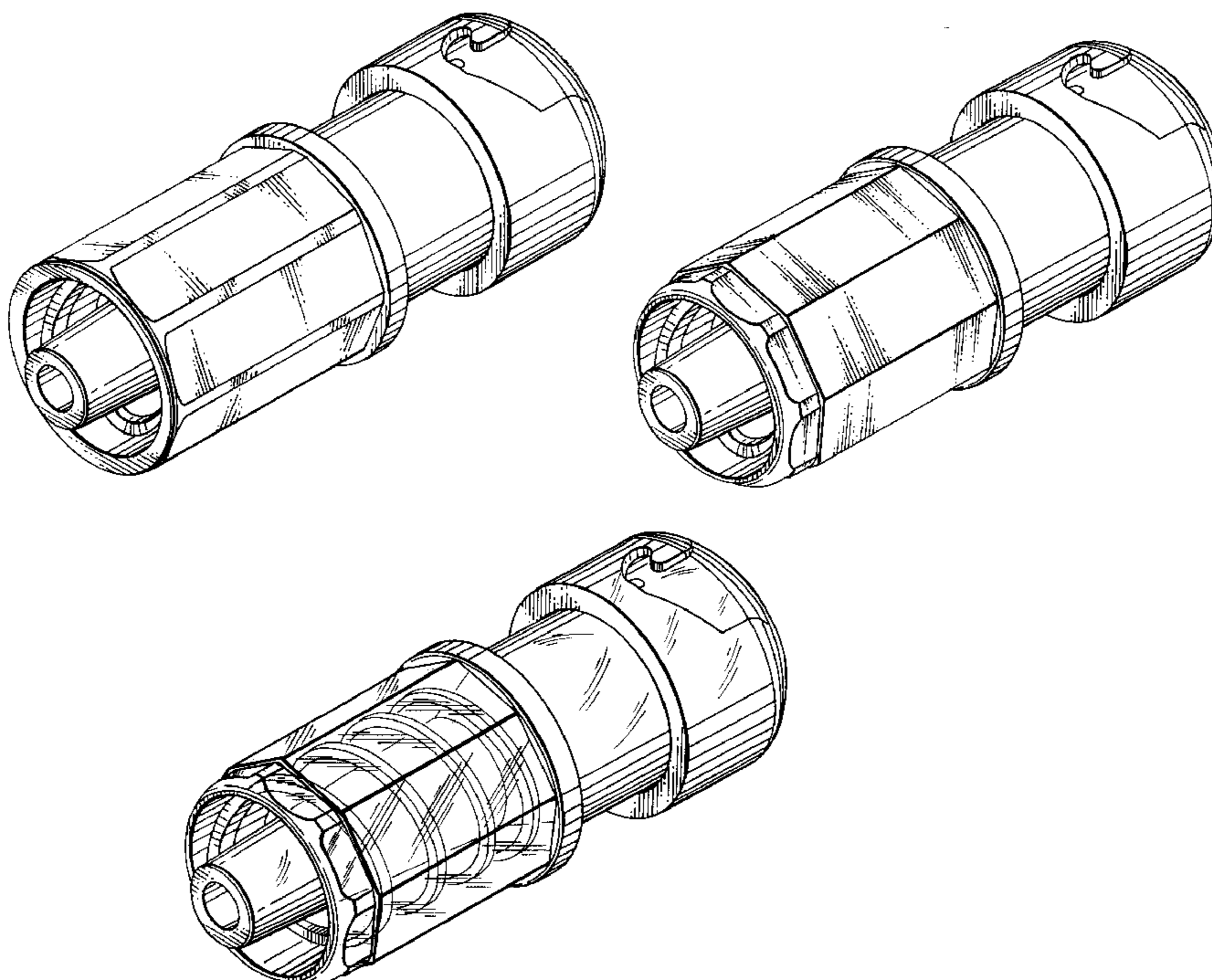


Fig. 1

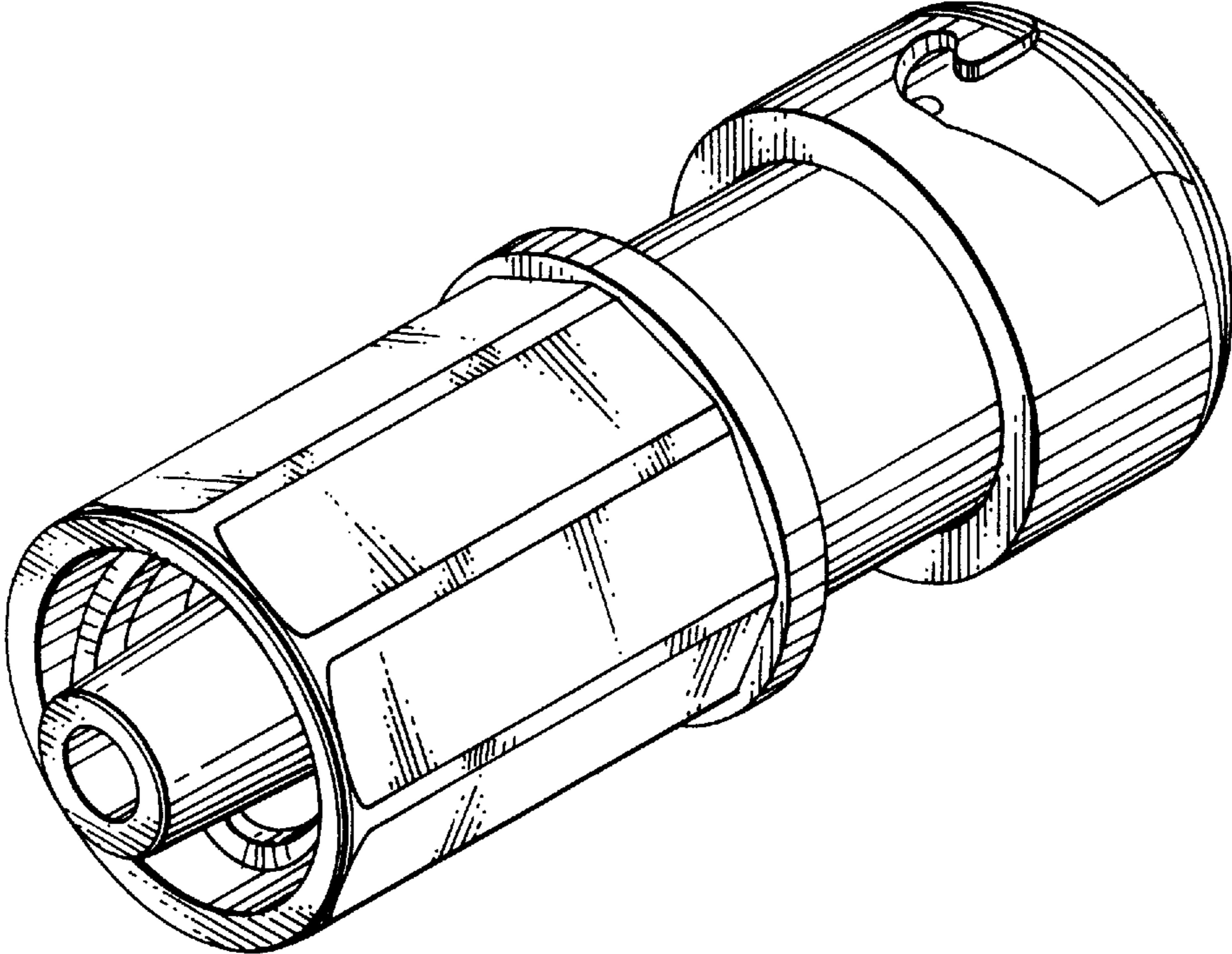


Fig. 4

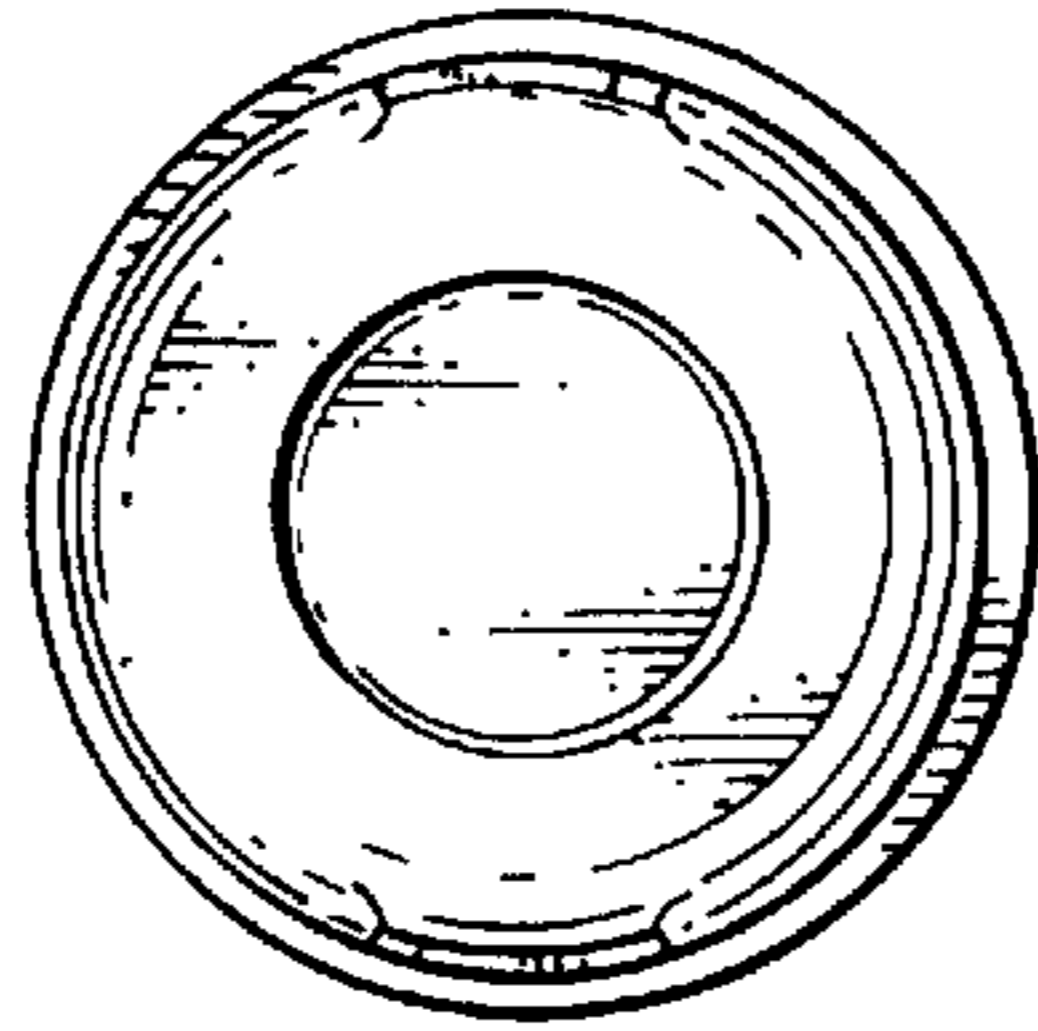


Fig. 2

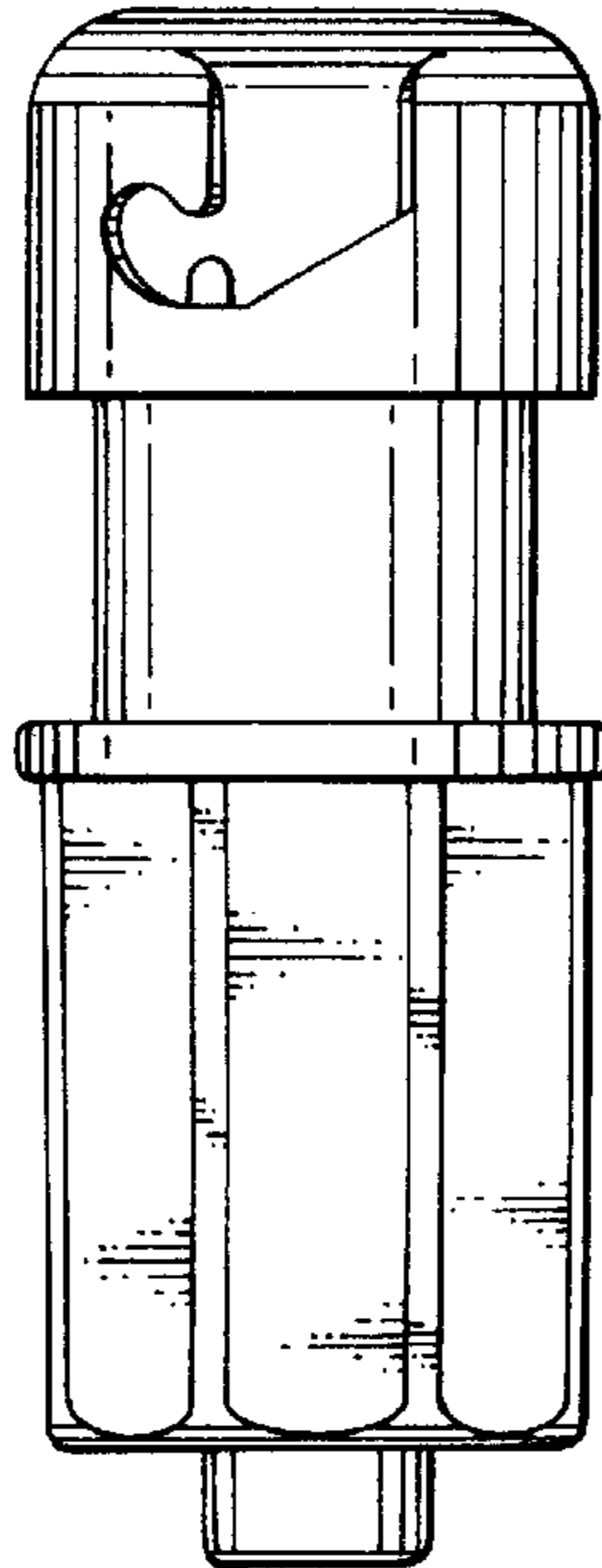


Fig. 3

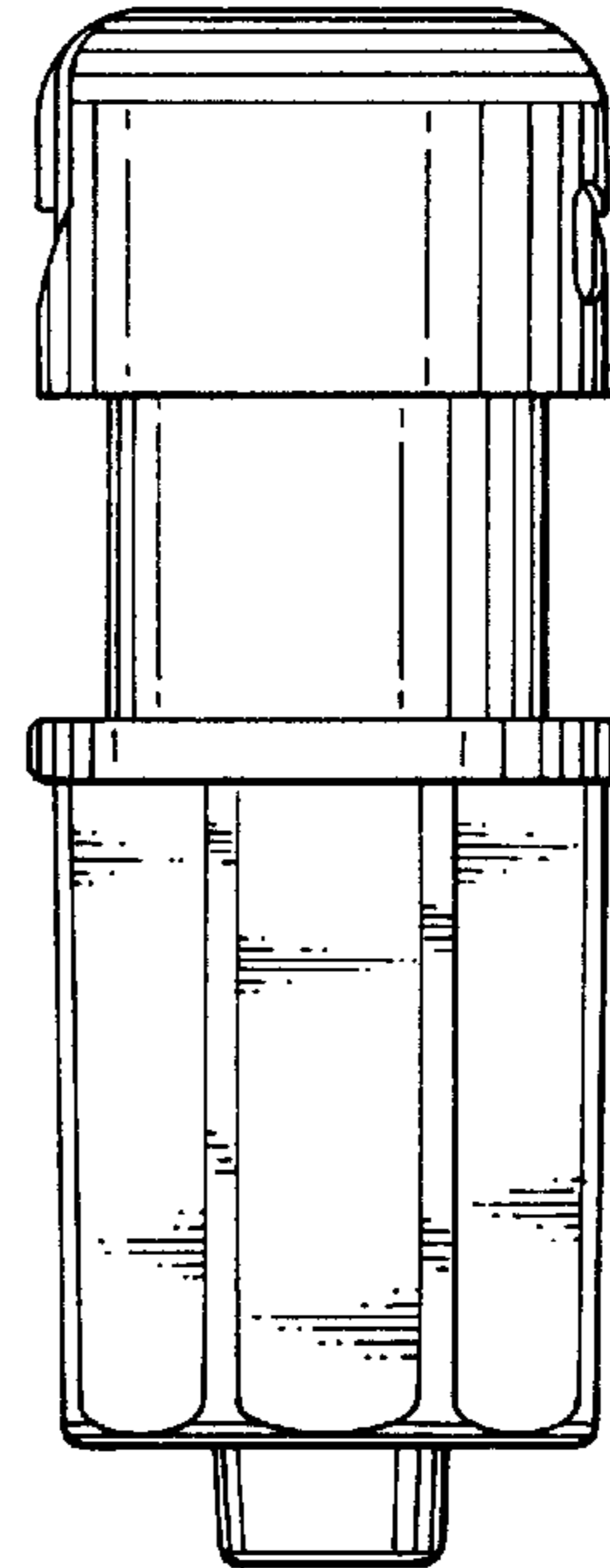


Fig. 5

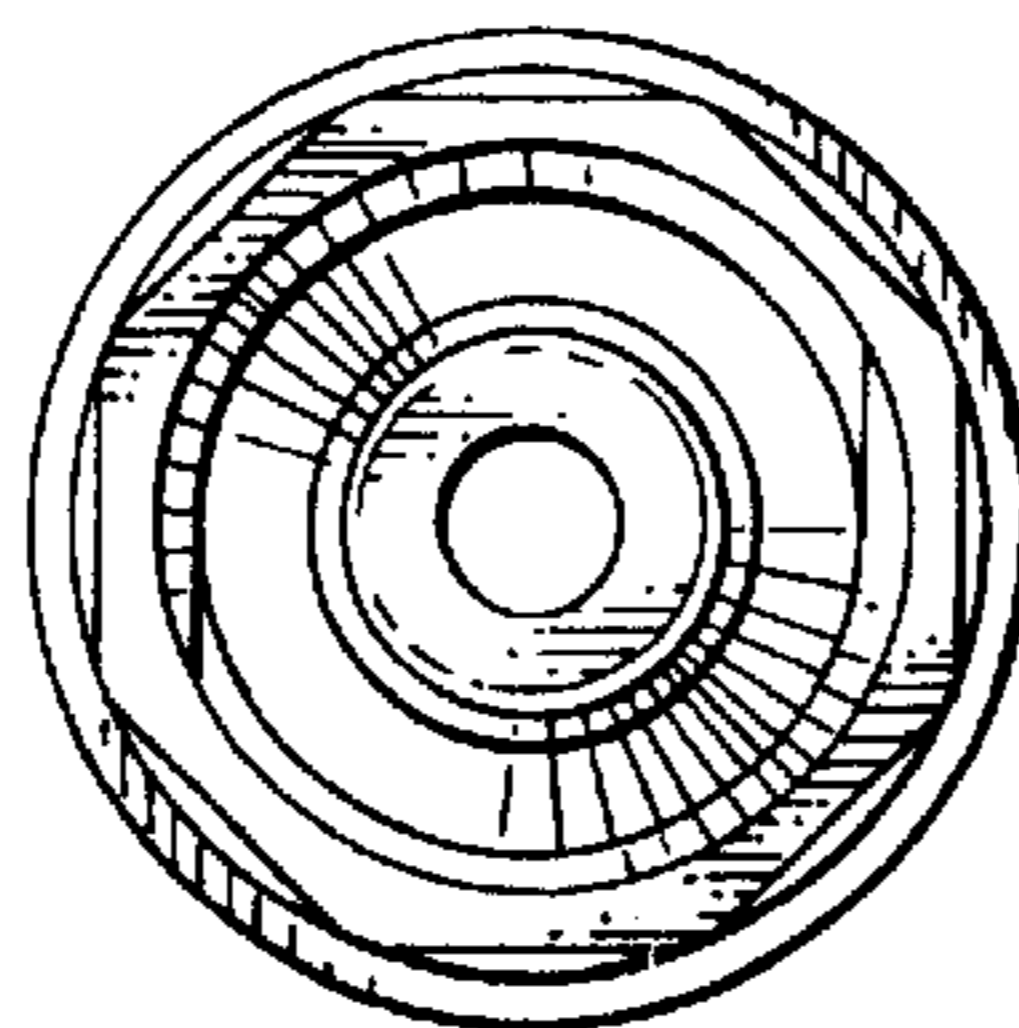


Fig. 6

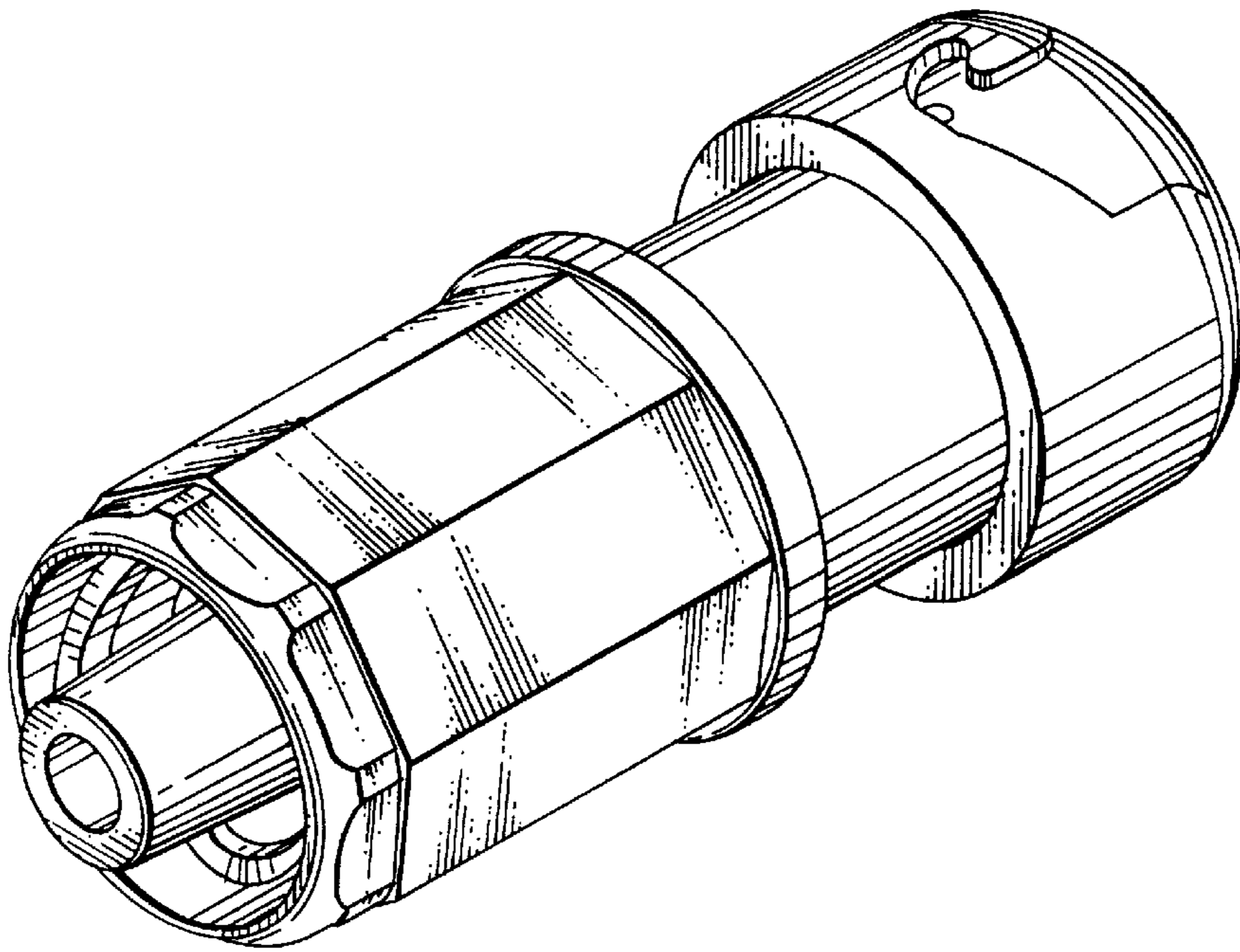


Fig. 8

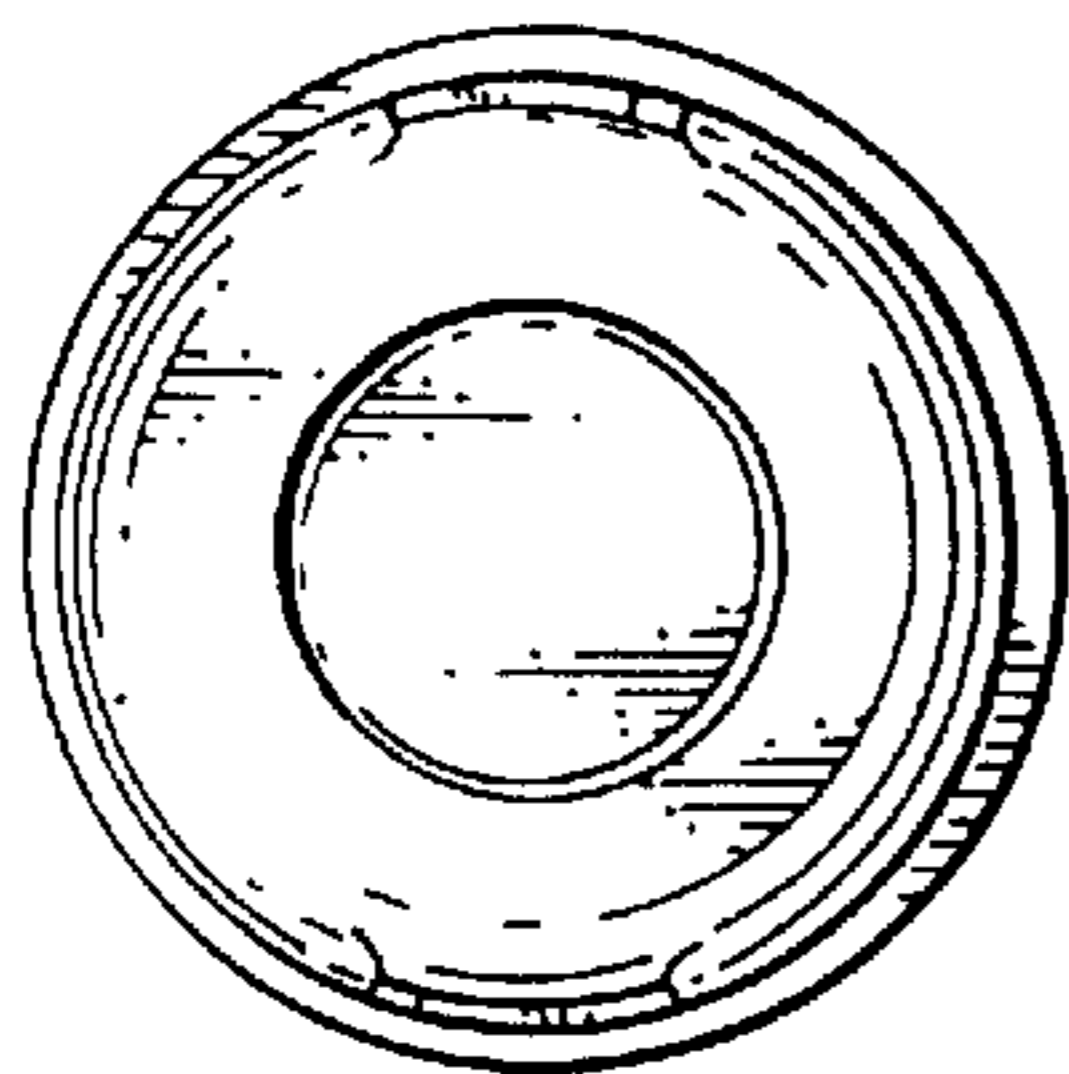


Fig. 9

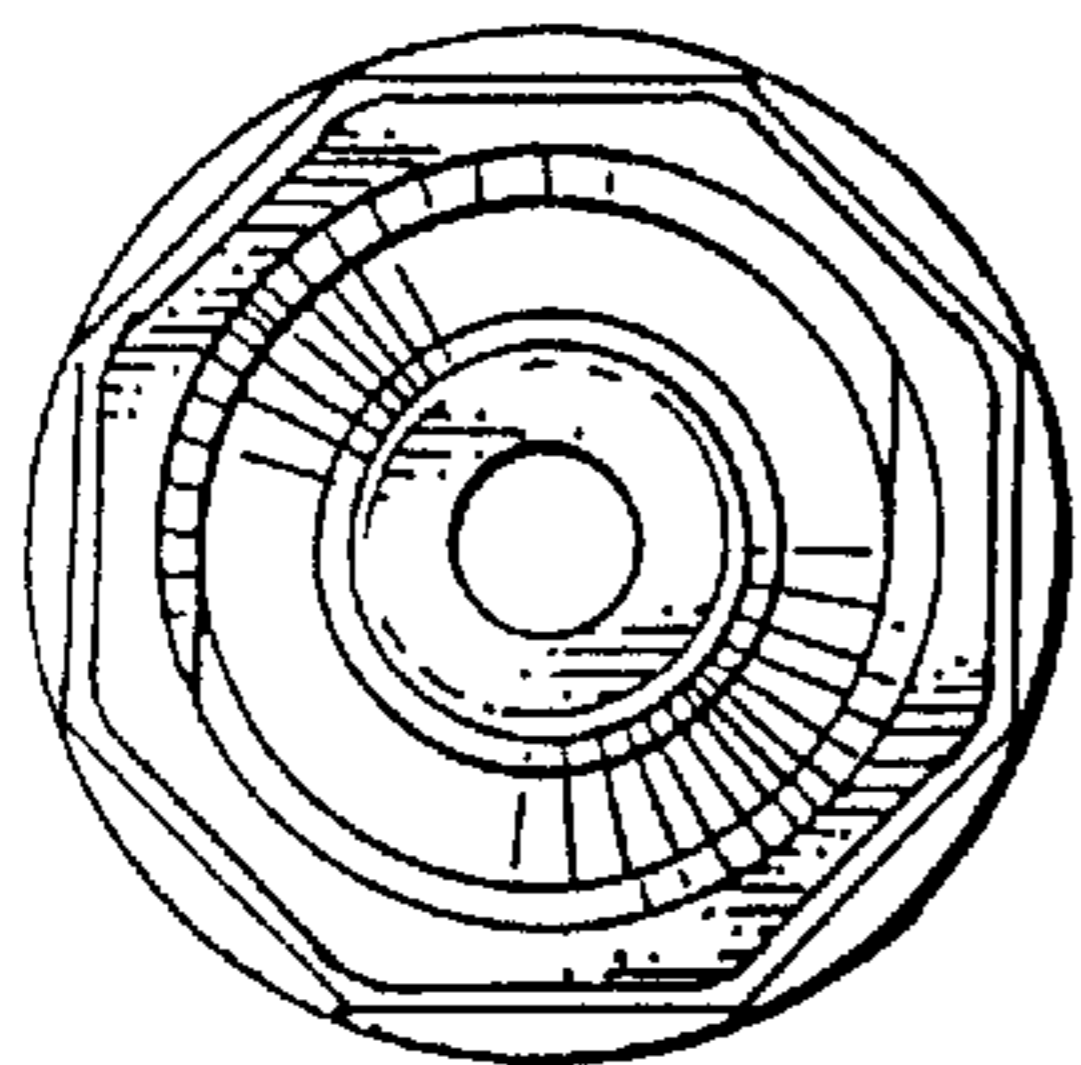


Fig. 7

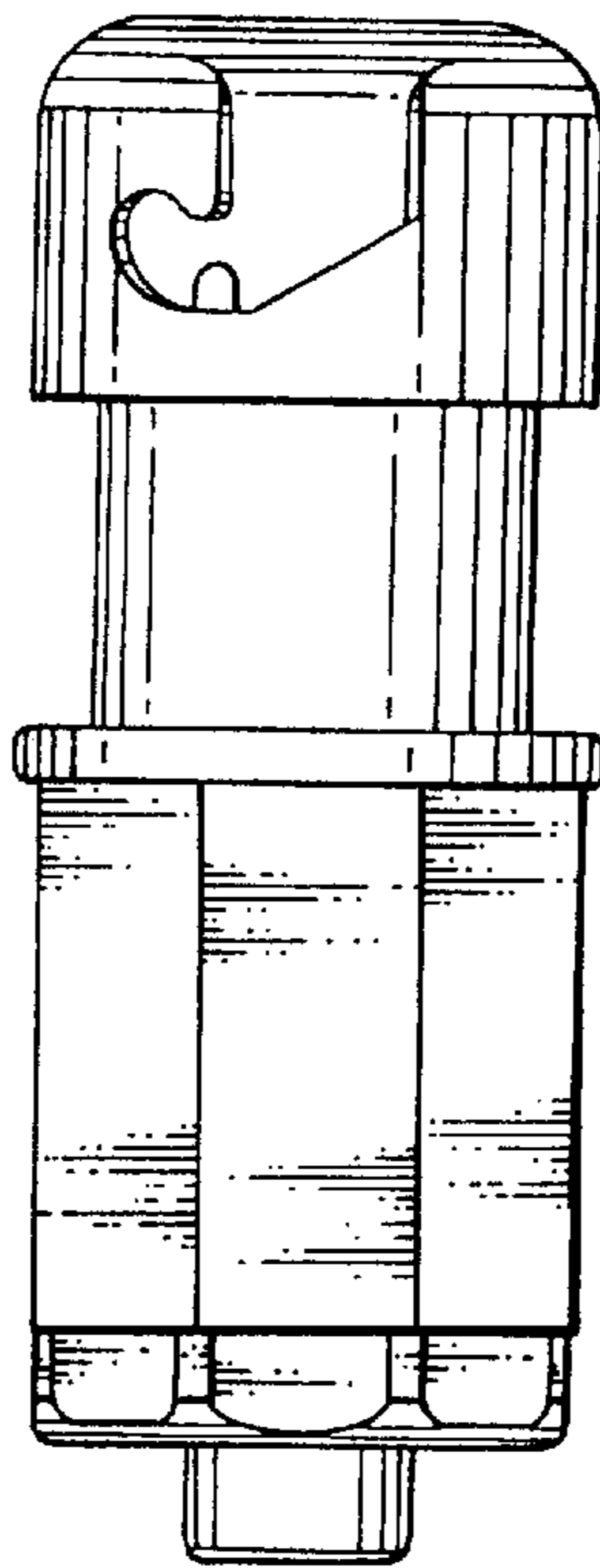


Fig. 10

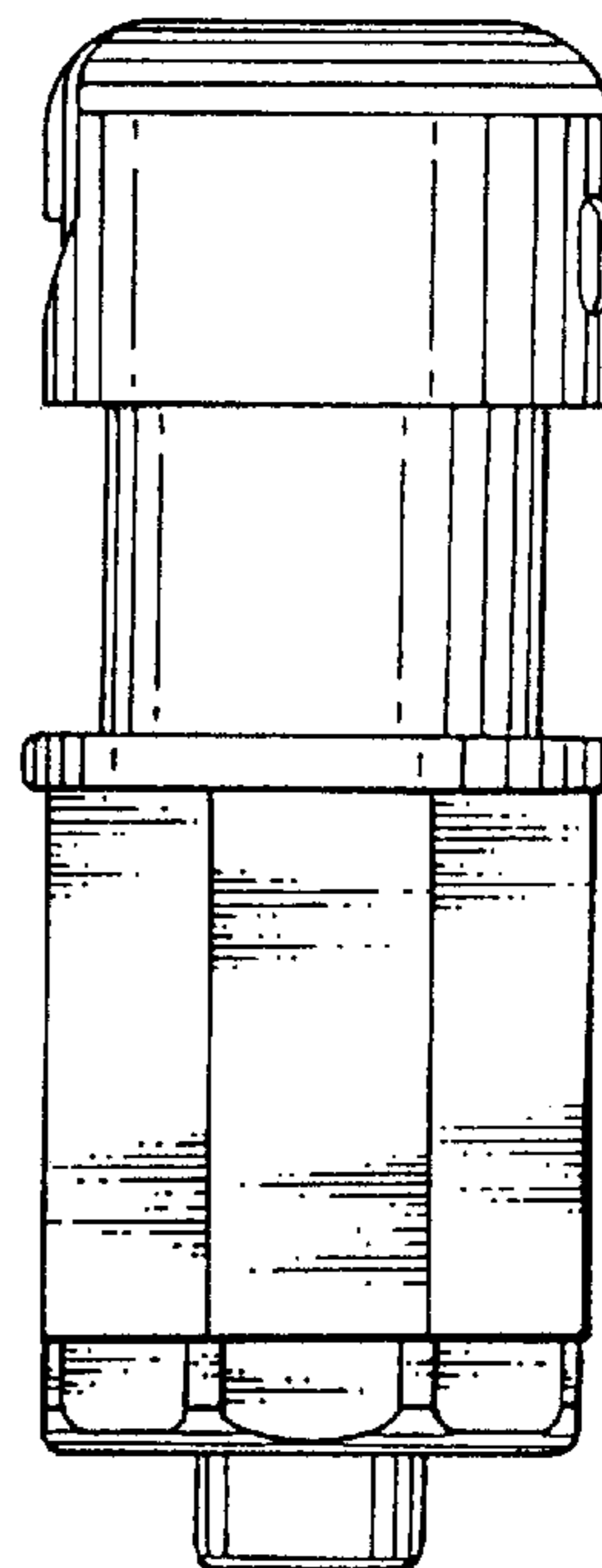


Fig. 11

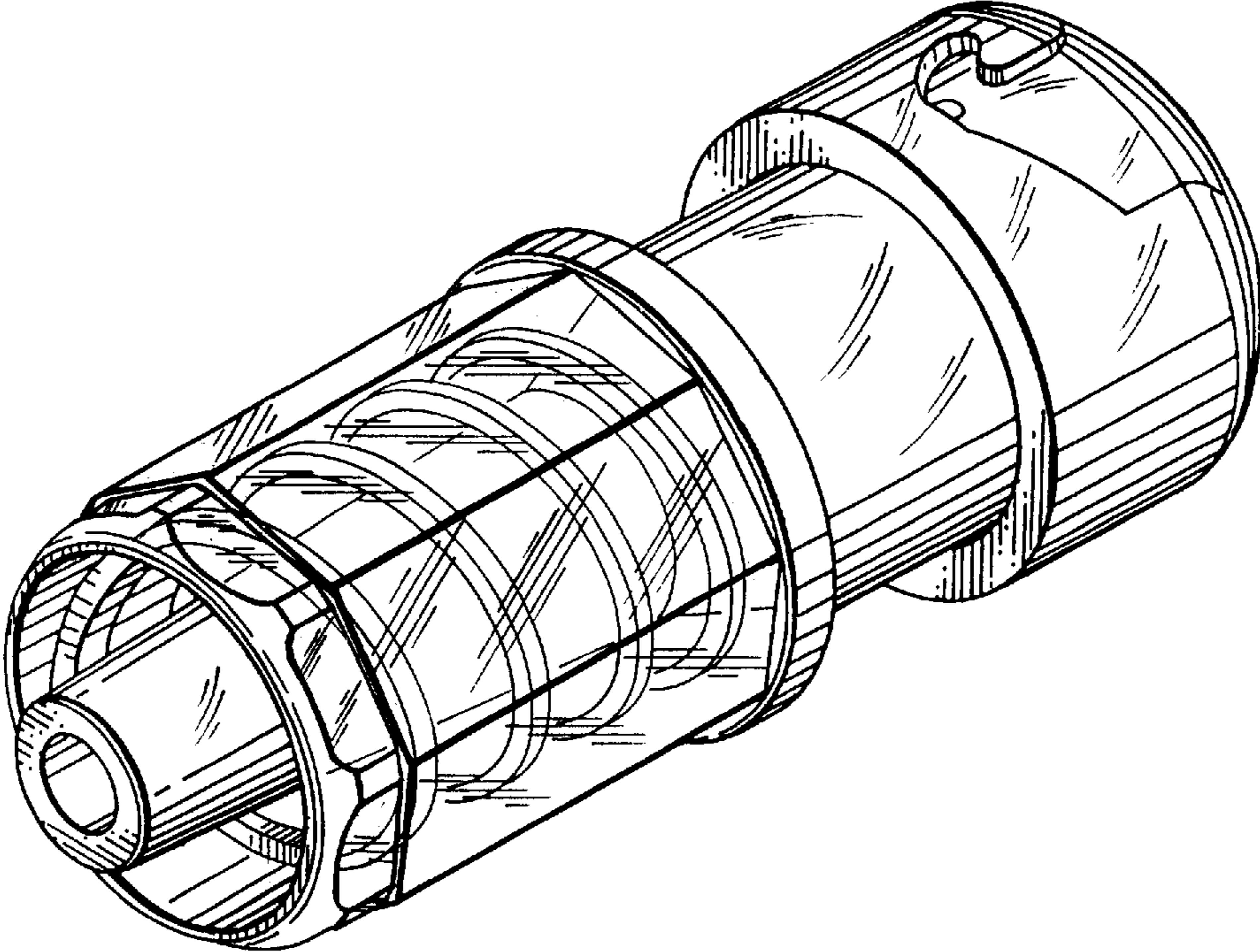


Fig. 12

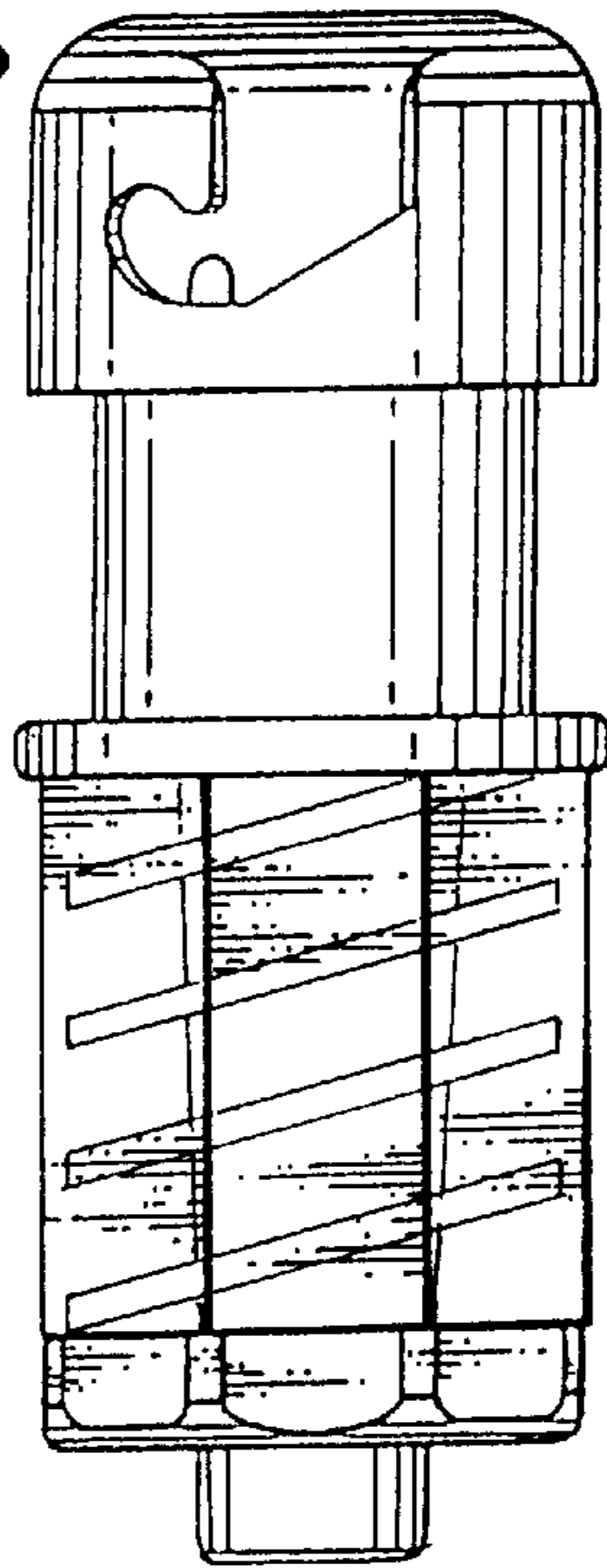


Fig. 13

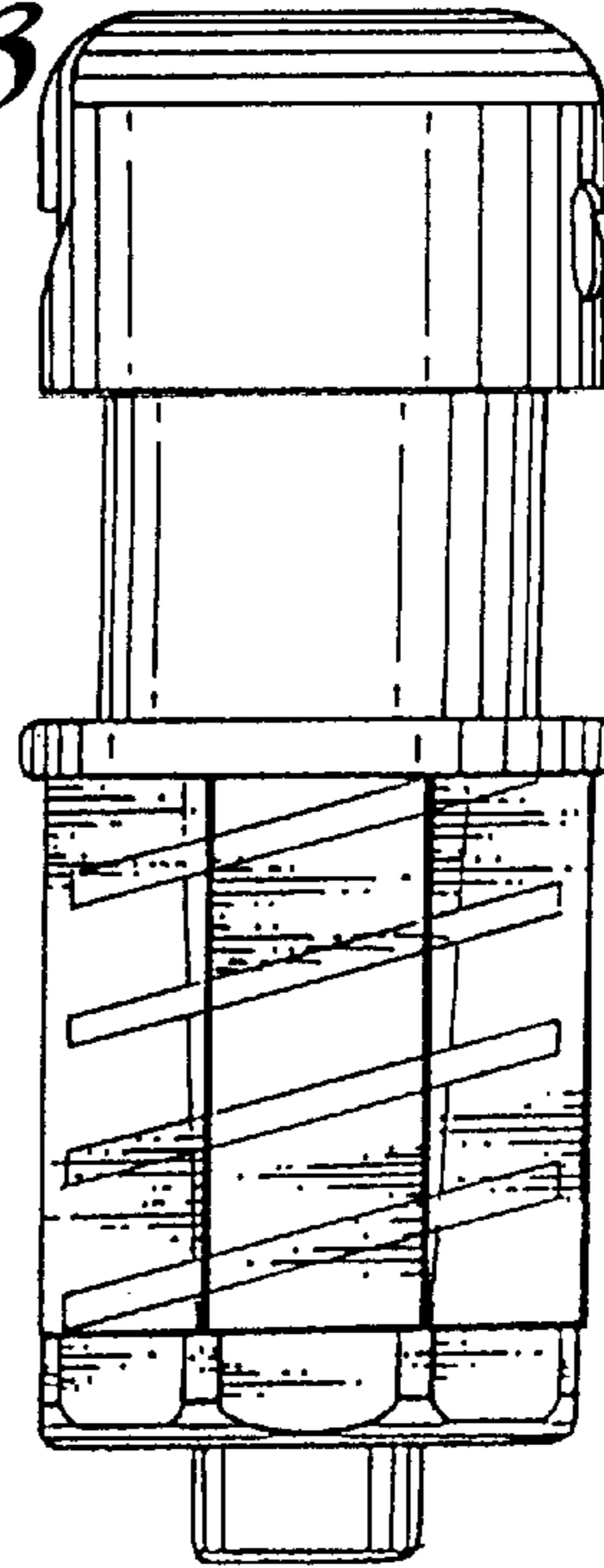


Fig. 14

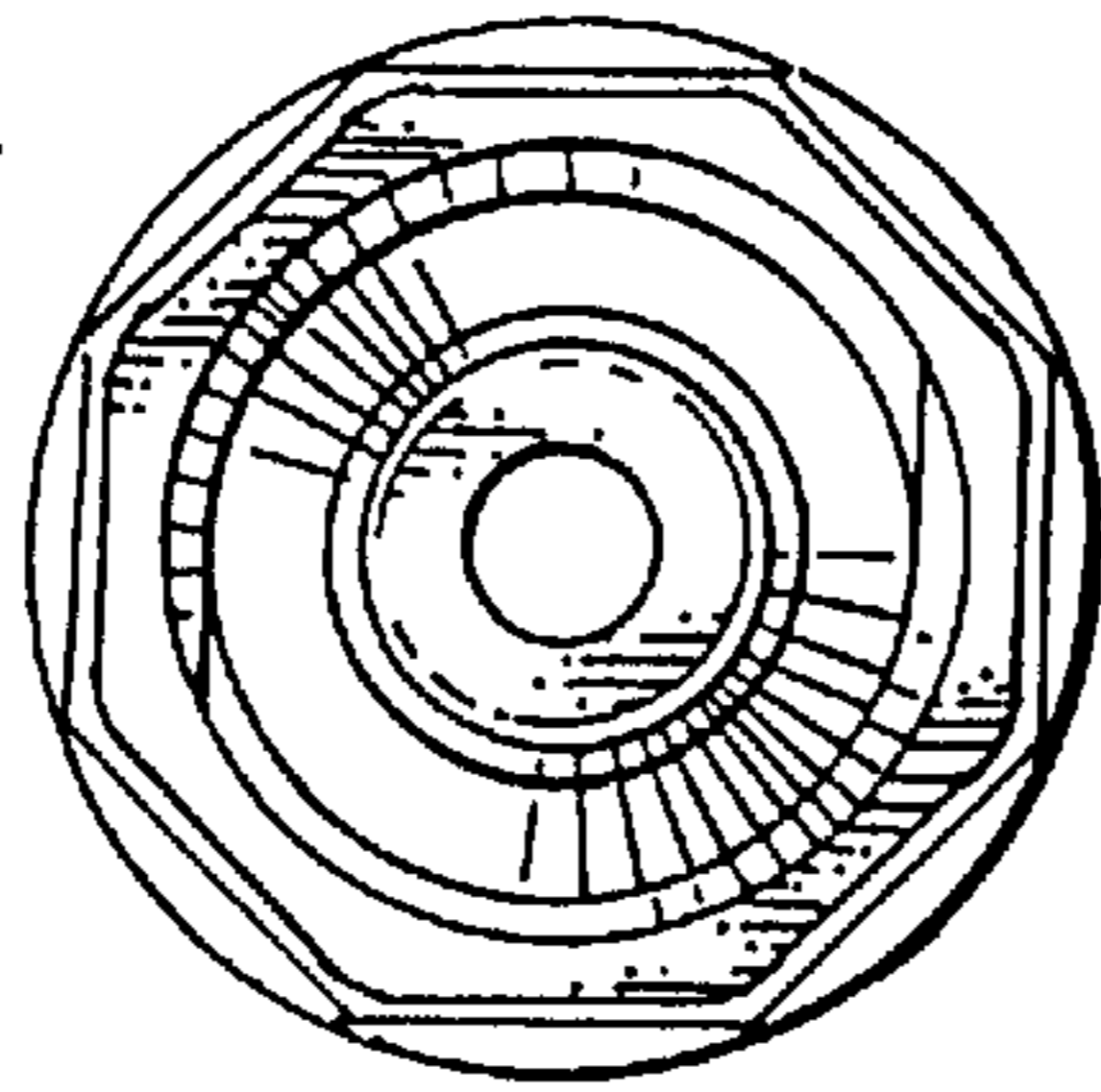


Fig. 15

